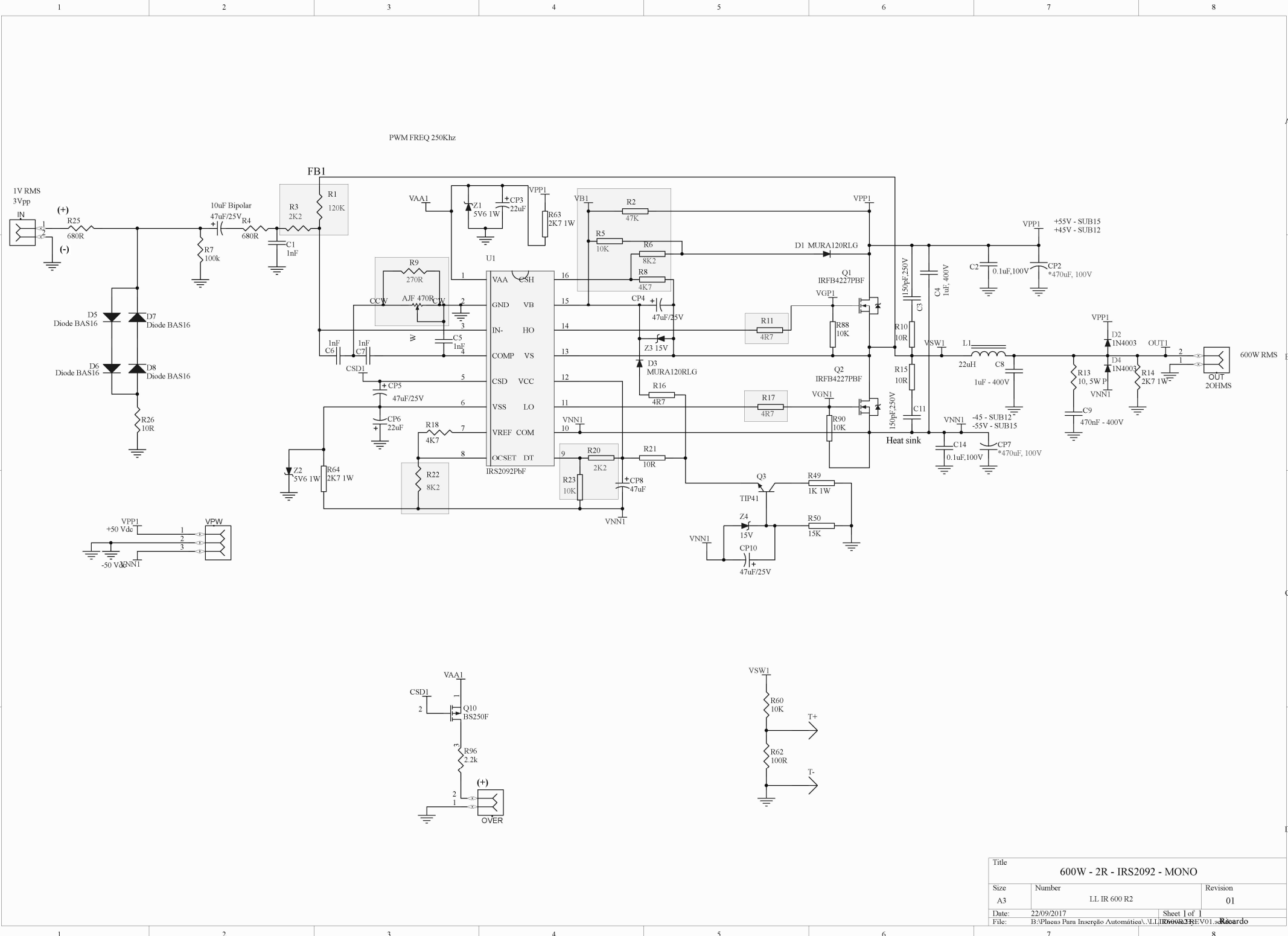
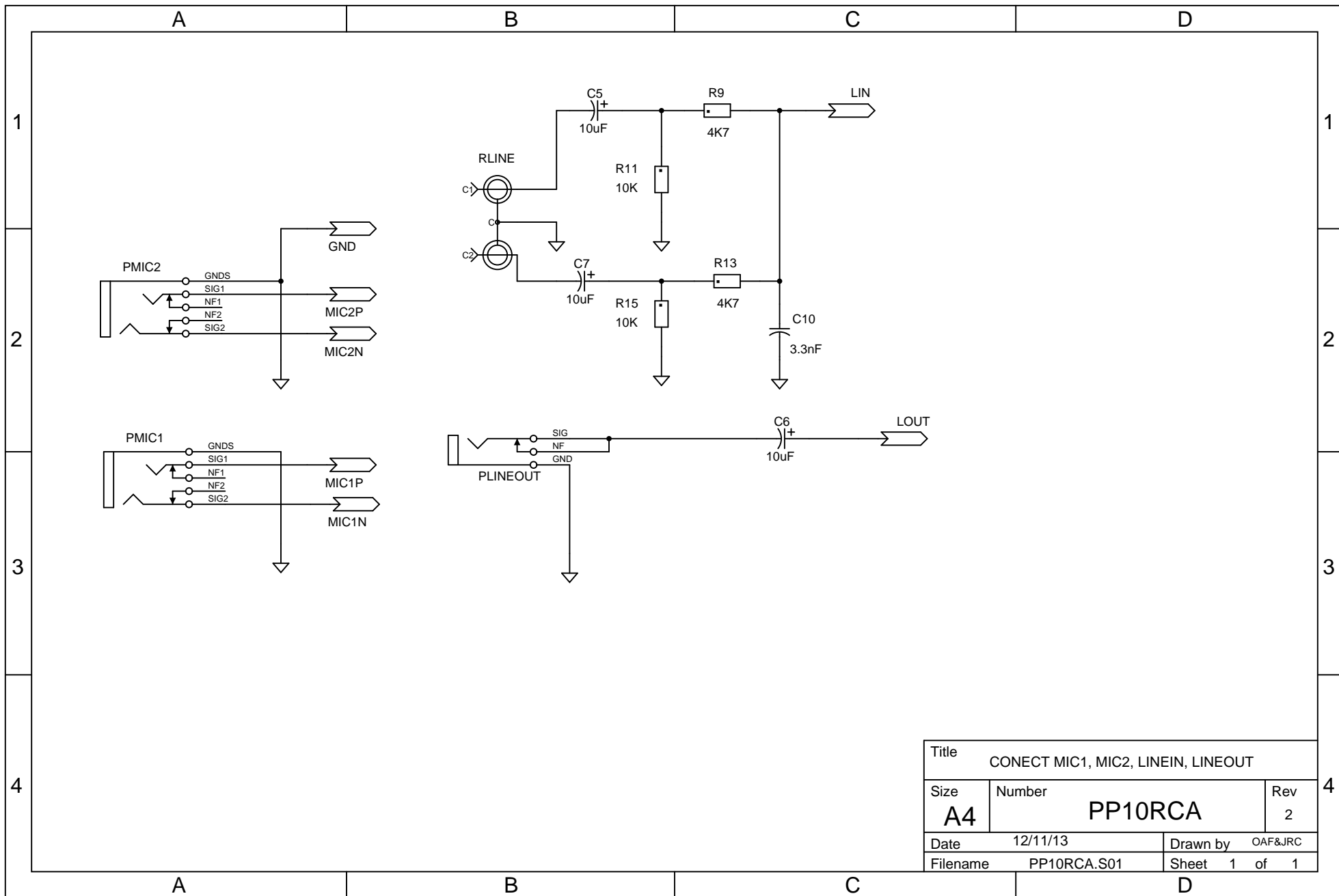


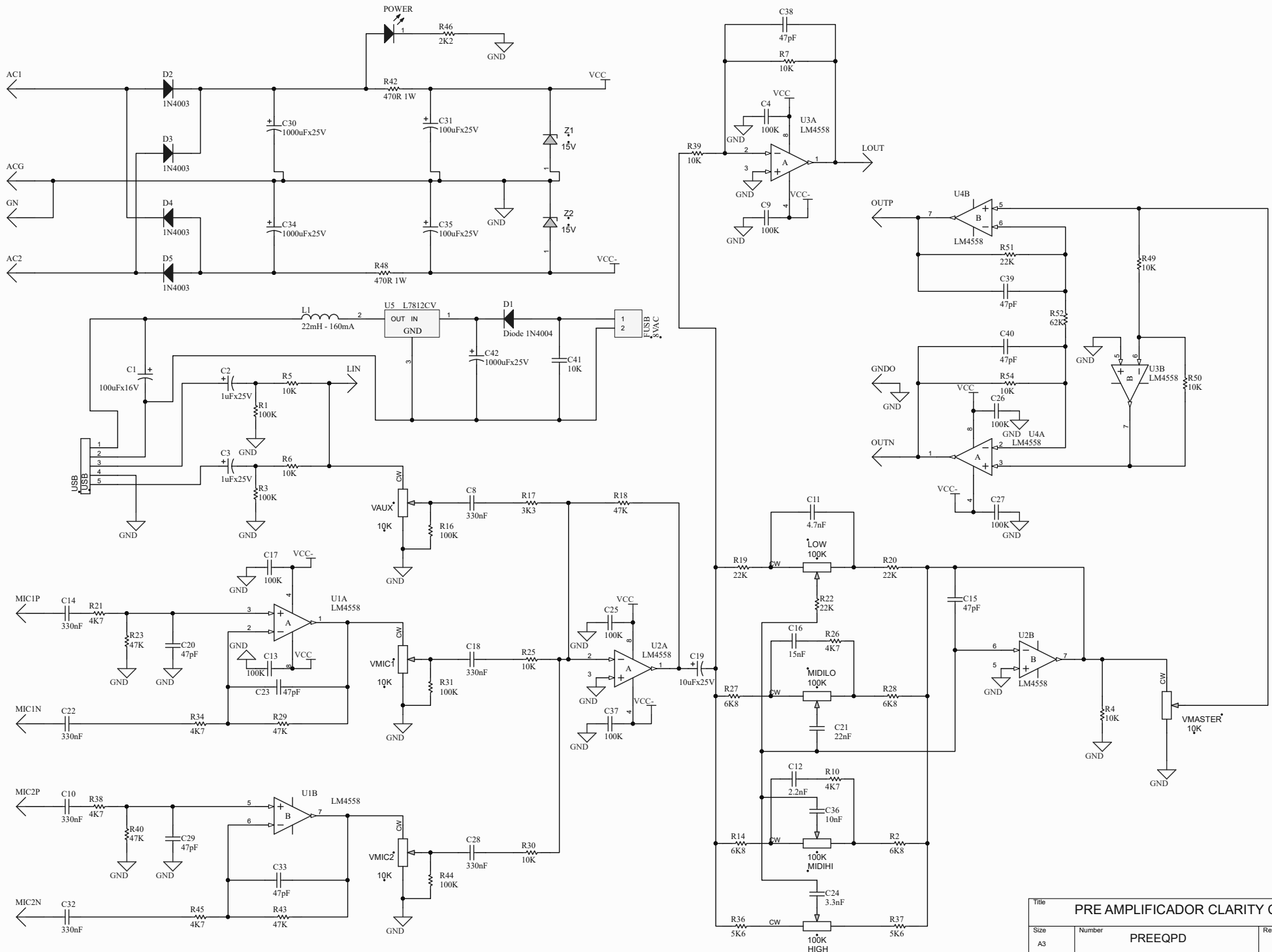
Title			
FONTE POWER 2.1 CLASS D IR 2400 - 3200			
Size	Number	Revision	
A4	LL2.1 FONTE REV00	01	
Date:	30/08/2017	Sheet of	1
File:	P:\PRODUÇÃO\..LL2.1 FONTE REV01.Dwg By: [Signature]		



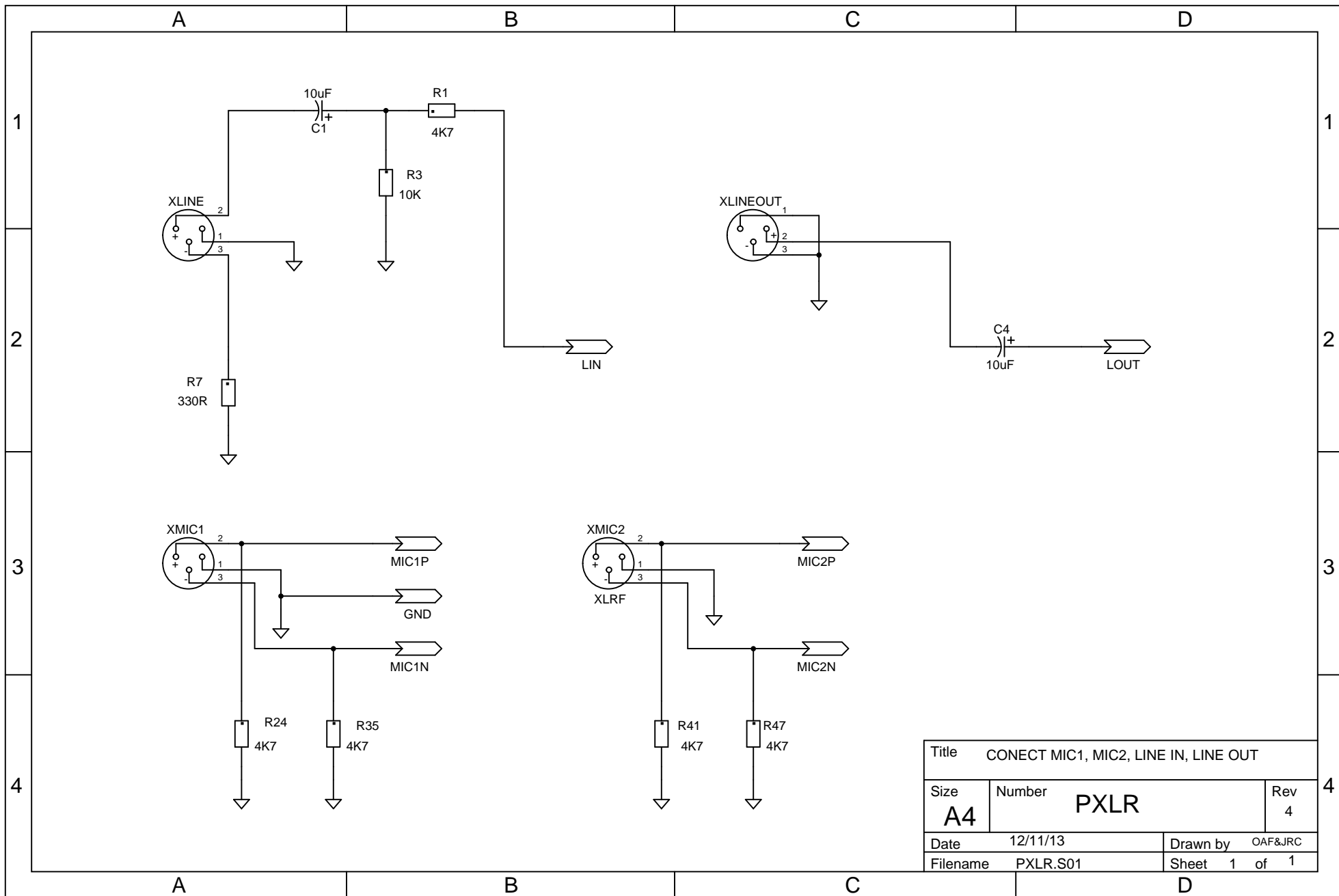
Title		
600W - 2R - IRS2092 - MONO		
Size	Number	Revision
A3	LL IR 600 R2	01
Date:	22/09/2017	Sheet 1 of 1
File:	B:\Placas Para Inserção Automática\LL IR 600 R2\600W 2R Ricardo	



Title			CONNECT MIC1, MIC2, LINEIN, LINEOUT		
Size	Number	Rev			
A4	PP10RCA	2			
Date	12/11/13	Drawn by		OAF&JRC	
Filename	PP10RCA.S01	Sheet		1 of 1	



Title			PRE AMPLIFICADOR CLARITY CLASS D		
Size	Number	PREEQP		Revision	03.1
A3					
Date:	18/09/2017	Sheet of 1		Distribuido por: Sch DCA F&J RC	
File:	B:\Placas Para Inserção Automática\LPREC\PREEQPD.dwg				



Title			CONECT MIC1, MIC2, LINE IN, LINE OUT		
Size	Number			Rev	
<b>A4</b>	<b>PXLR</b>			4	
Date	12/11/13	Drawn by	OAF&JRC		
Filename	PXLR.S01	Sheet	1	of	1