



# Service Manual

Created: 03 June 2015



## EURORACK UB1204FX-PRO

**Ultra-Low Noise Design 12-Input 2/2-Bus Mixer with Premium Mic Preamplifiers and Multi-FX Processor**

Specifications .....	2
PCB Schematic .....	3
Parts List .....	13
Exploded Drawing .....	26

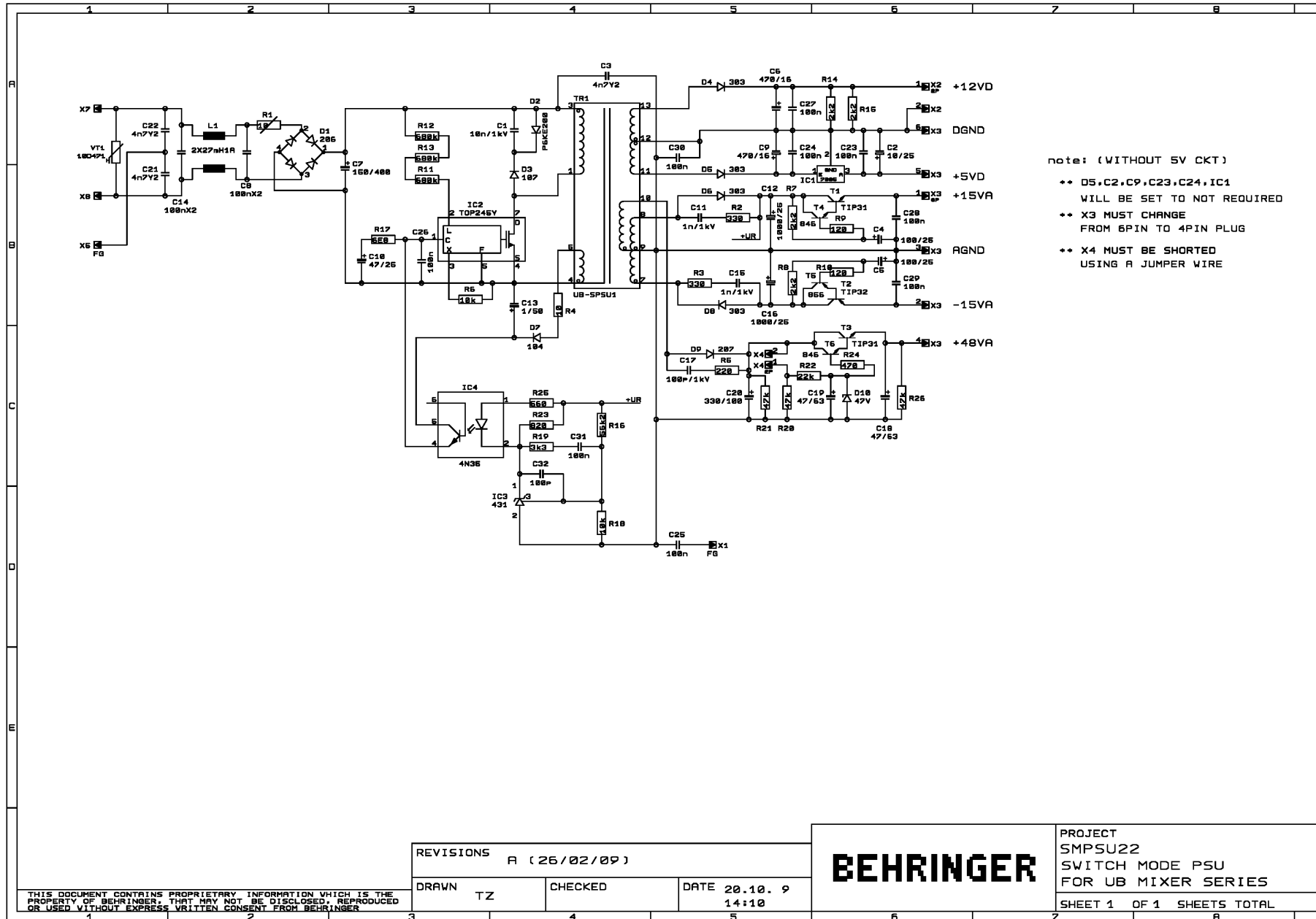
behringer.com

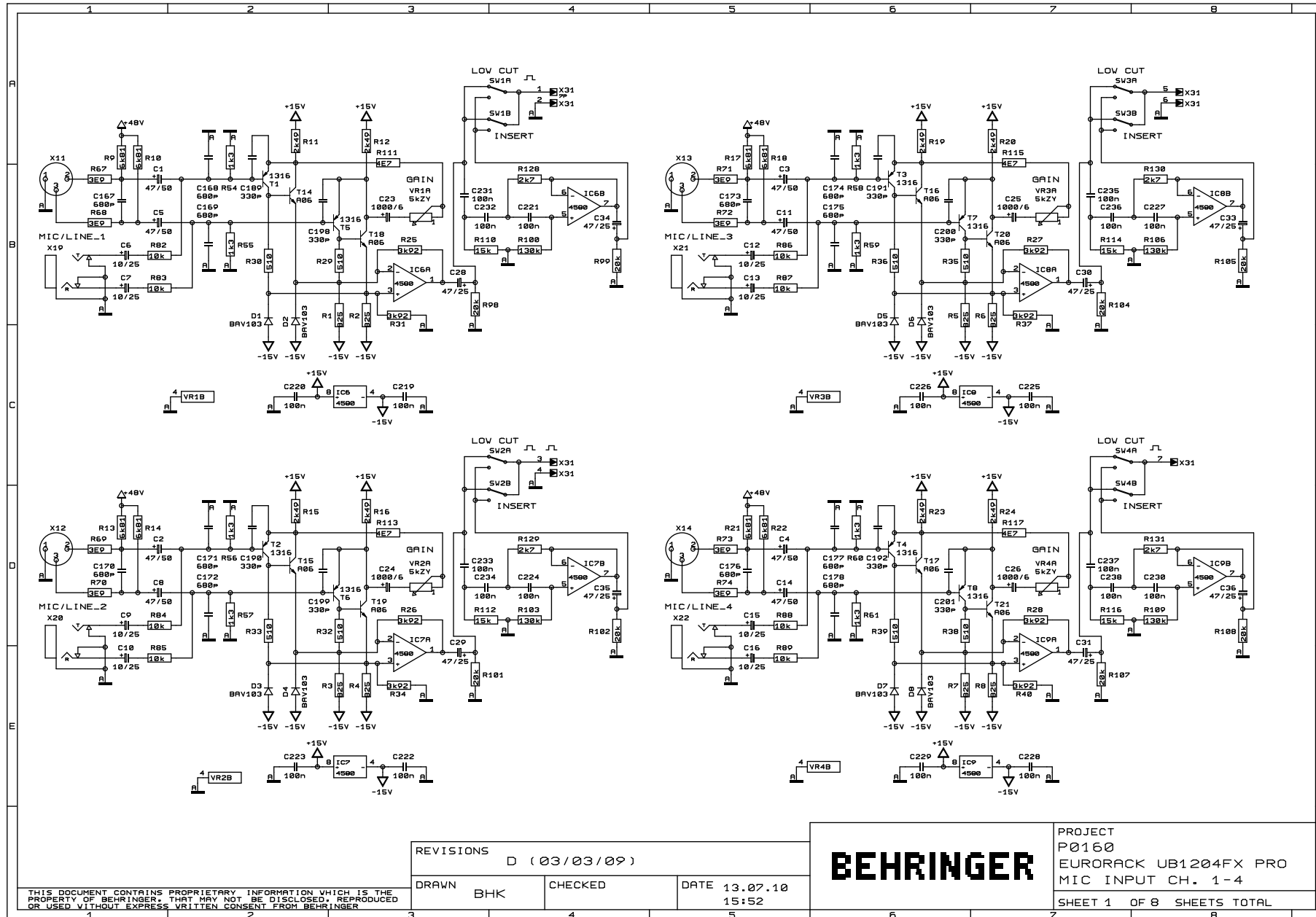


# EURORACK UB1204FX-PRO

## Specifications

- Ultra-low noise design, highest possible headroom, ultra-transparent audio
- 4 state-of-the-art, studio-grade IMP "Invisible" Mic Preamps with 130 dB dynamic range for 24-bit, 192 kHz sampling rate inputs
- Studio-grade stereo FX processor with 100 awesome presets including reverb, chorus, flanger, delay, pitch shifter and various multi-effects
- Effective, extremely musical 3-band EQ plus switchable low-cut filter on all mono channels
- 8 balanced high-headroom line inputs with +4/-10 level selection on stereo channels
- 2 aux sends per channel: one pre/post fader switchable for monitoring/FX applications and one post fader (for internal FX or as external send)
- Clip LEDs, mute/alt 3-4, solo and PFL functions on all channels
- 2 subgroups with separate outputs for added routing flexibility
- 2 multi-functional stereo aux returns with flexible routing
- Balanced main mix outputs with gold-plated XLR connectors plus separate control room, headphone and 2-track outputs
- Control room/headphone outputs with multi-input source matrix
- 2-track inputs assignable to main mix or control room/headphone outputs
- Switchable +48 V phantom power for condenser microphones
- Rack mount brackets included
- Internal switch-mode power supply for maximum flexibility (100 – 240 V~), noise-free audio, superior transient response plus lowest possible power consumption for energy saving
- 3-Year Warranty Program\*
- Conceived and designed by BEHRINGER Germany



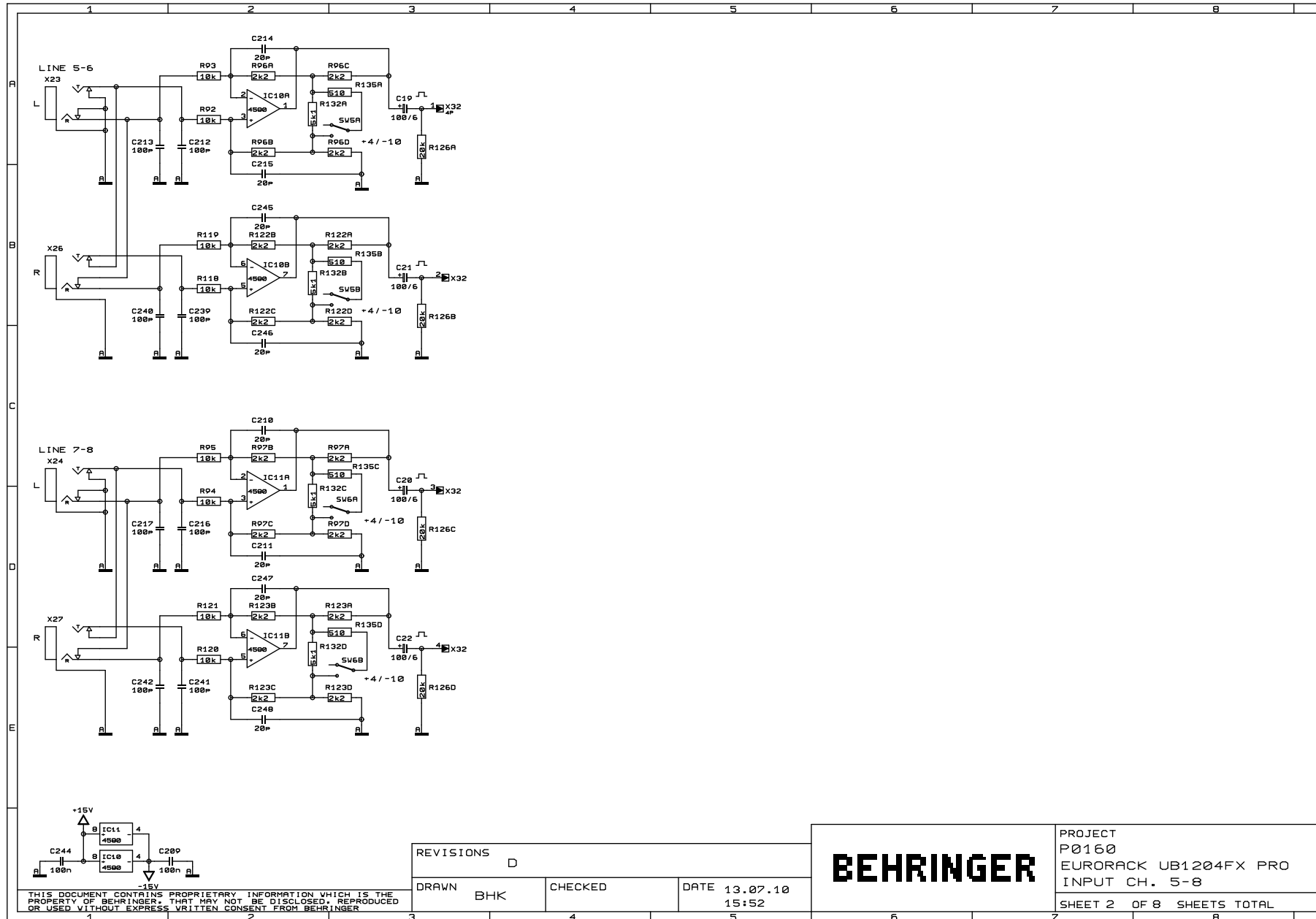


REVISIONS		
D (03/03/09)		
DRAWN	CHECKED	DATE
BHK		13.07.10
		15:52

**BEHRINGER**

PROJECT  
P0160  
EURORACK UB1204FX PRO  
MIC INPUT CH. 1-4  
SHEET 1 OF 8 SHEETS TOTAL

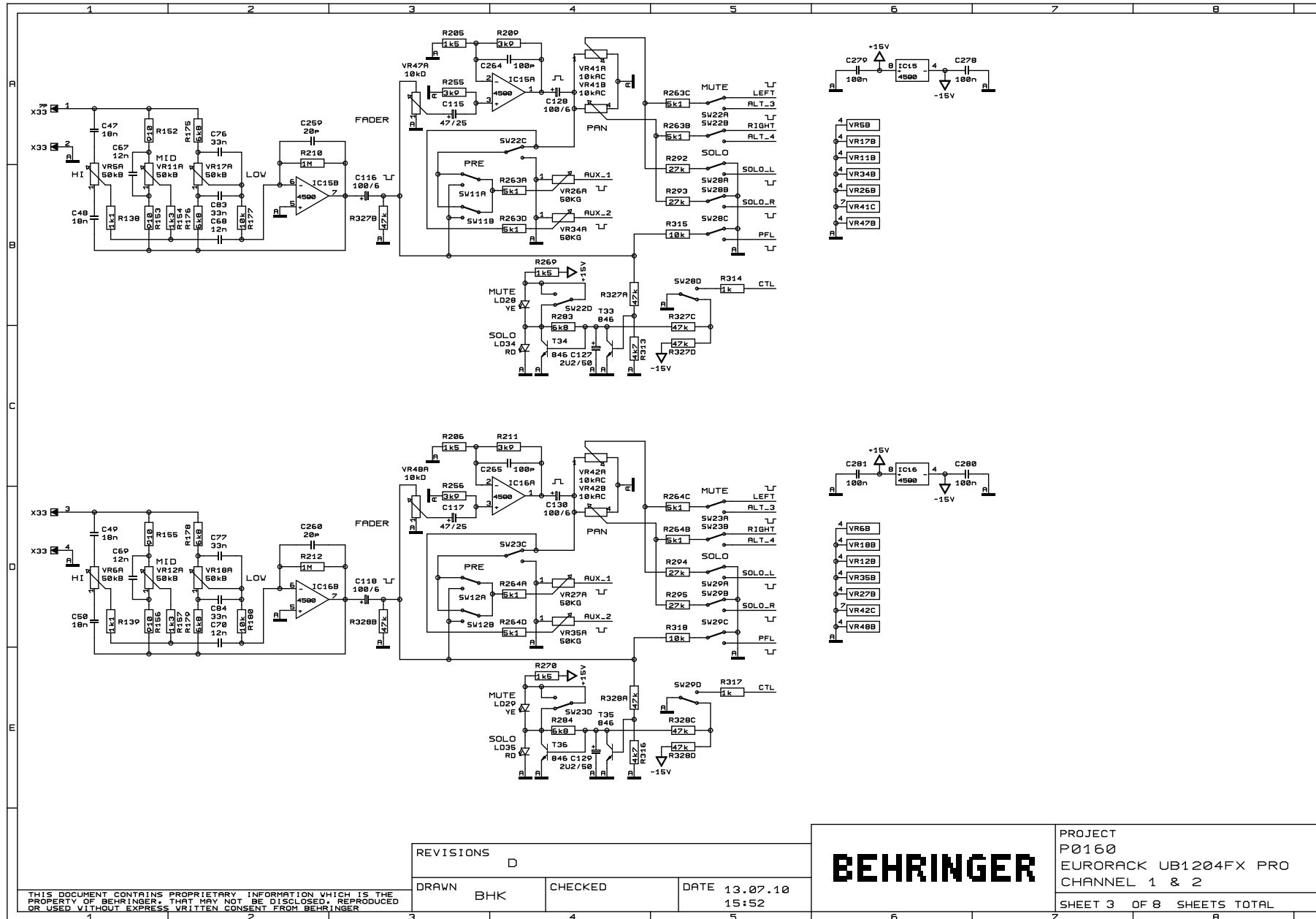
THIS DOCUMENT CONTAINS PROPRIETARY INFORMATION WHICH IS THE PROPERTY OF BEHRINGER. THAT MAY NOT BE DISCLOSED, REPRODUCED OR USED WITHOUT EXPRESS WRITTEN CONSENT FROM BEHRINGER.

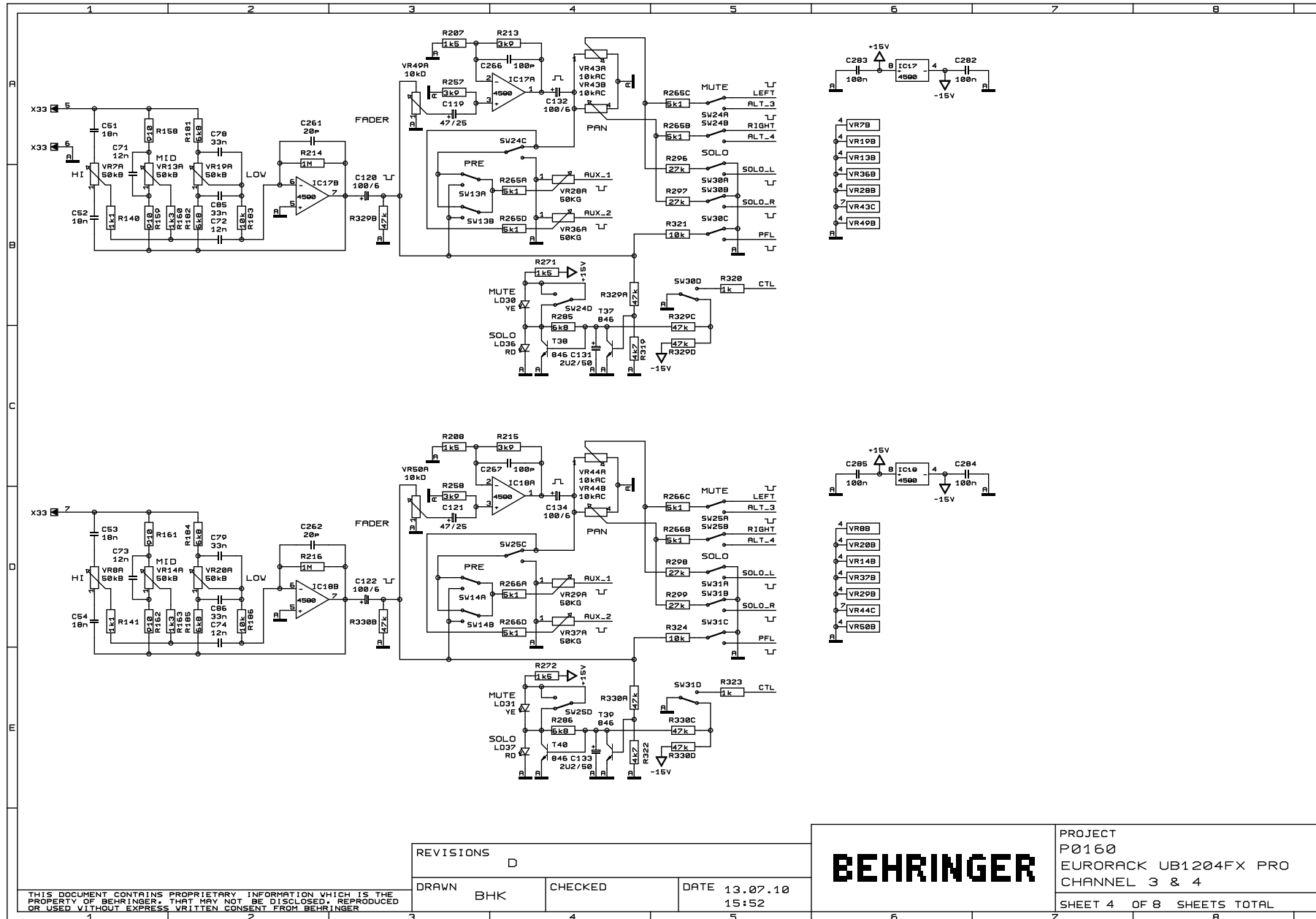


REVISIONS		D
DRAWN	BHK	CHECKED
DATE		13.07.10 15:52

**BEHRINGER**

PROJECT  
P0160  
EURORACK UB1204FX PRO  
INPUT CH. 5-8  
SHEET 2 OF 8 SHEETS TOTAL

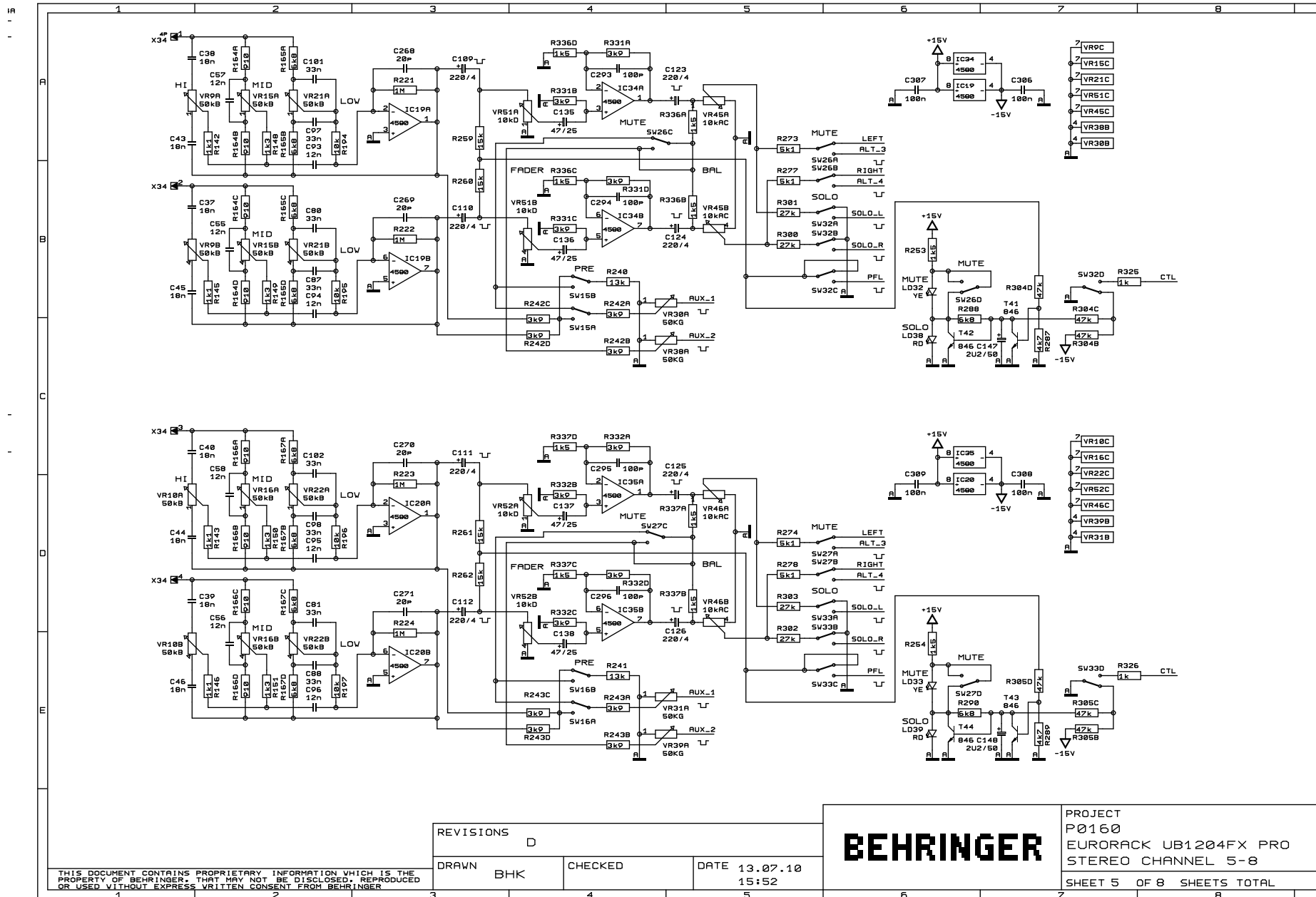




REVISIONS		
D		
DRAWN	CHECKED	DATE
BHK		13.07.10
		15:52

**BEHRINGER**

PROJECT  
P0160  
EURORACK UB1204FX PRO  
CHANNEL 3 & 4  
SHEET 4 OF 8 SHEETS TOTAL

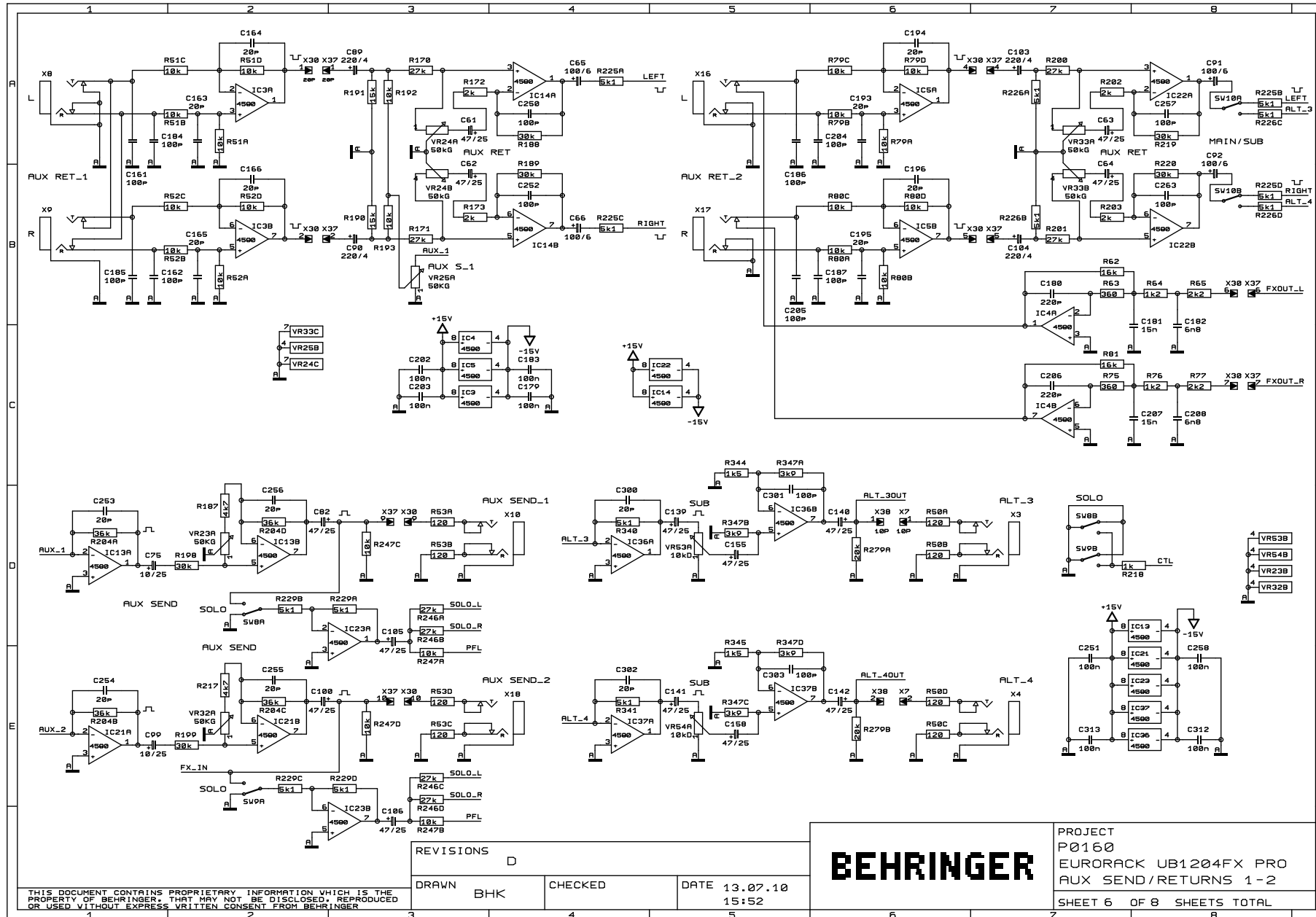


REVISIONS		D	
DRAWN	BHK	CHECKED	DATE 13.07.10 15:52

**BEHRINGER**

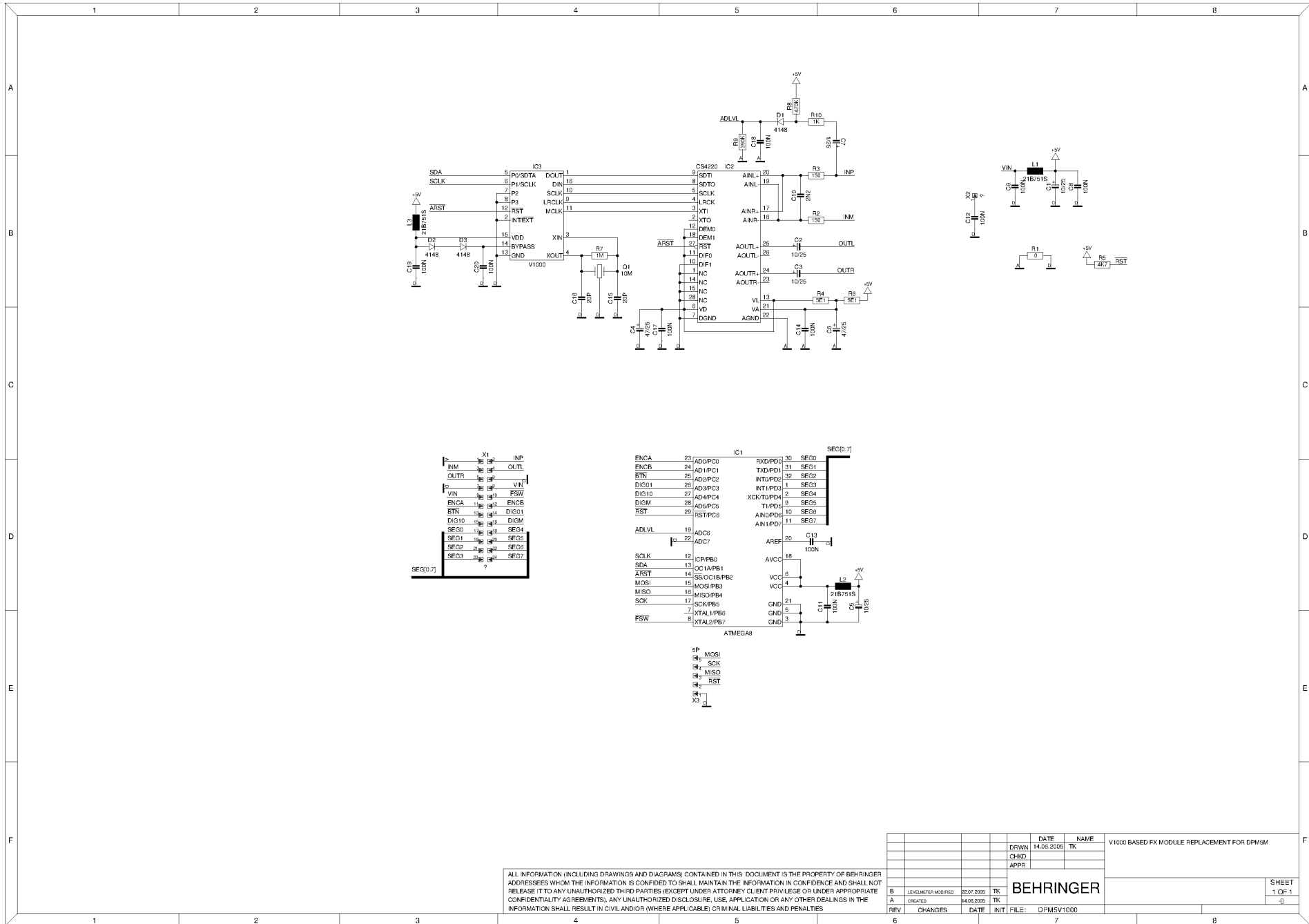
PROJECT  
P0160  
EURORACK UB1204FX PRO  
STEREO CHANNEL 5-8  
SHEET 5 OF 8 SHEETS TOTAL











ALL INFORMATION (INCLUDING DRAWINGS AND DIAGRAMS) CONTAINED IN THIS DOCUMENT IS THE PROPERTY OF BEHRINGER ADDRESSEES WHOM THE INFORMATION IS CONFIDED TO SHALL MAINTAIN THE INFORMATION IN CONFIDENCE AND SHALL NOT RELEASE IT TO ANY UNAUTHORIZED THIRD PARTIES (EXCEPT UNDER ATTORNEY CLIENT PRIVILEGE OR UNDER APPROPRIATE CONFIDENTIALITY AGREEMENTS); ANY UNAUTHORIZED DISCLOSURE, USE, APPLICATION OR ANY OTHER DEALINGS IN THE INFORMATION SHALL RESULT IN CIVIL AND/OR (WHERE APPLICABLE) CRIMINAL LIABILITIES AND PENALTIES

DATE	NAME	V1000 BASED FX MODULE REPLACEMENT FOR DPM5M
DRWN 14.06.2005	TK	
CHKD		
APPR		
REV		CHANGES
B	LEVEL/ETER MODIFIED	22.07.2005 TK
A	CREATED	14.06.2005 TK
FILE:	DPM5V1000	

SHEET 1 OF 1

**Hi Pcb Assemblies**

	Quantity	Unit	S.Sku	M.Sku	Description	Reference Designators	Notes
1	1.0000	PC		A05-00000-09291	PCB ASSEMBLY;SMPSU22;REV:A;HAND INSERT;NO.926020		
2	1.0000	PC	Q05-16001-00418	A05-16001-00418	PCB ASSEMBLY;UB1204FX PRO;PCB:1;REV:D;NO:903030		
3	1.0000	PC	Q05-16002-00420	A05-16002-00420	PCB ASSEMBLY;UB1204FX PRO;PCB:2;REV:D;NO:904030		
4	1.0000	PC		A05-16003-00422	PCB ASSEMBLY;UB1204FX PRO;PCB:3;REV:D;NO:905030		
5	1.0000	PC		A05-48600-17101	PCB ASSEMBLY;P0486;A;HI;PSU;SMPSU22;926020		
6	1.0000	PC		A05-92500-00000	PCB ASSEMBLY;DPM5V1000;HAND INSERT		

**Service Assemblies**

	Quantity	Unit	S.Sku	M.Sku	Description	Reference Designators	Notes
1				A09-A0H00-00000	SPARE PART;P0A0H;SMPSU22;REV A	[EXTRA SPARE]	
2			Q05-92500-00000	A09-16200-00002	SPARE PART;P0162;REV:B;DPM5V1000	[EXTRA SPARE]	
3			Q04-00000-08216	A09-16000-00000	SPARE PART;P0160;COMMON;UB-SPSU1	[EXTRA SPARE]	
4				A04-00000-08216	SUB ASSEMBLY;UB-SPSU1	[EXTRA SPARE]	

Cable

	Quantity	Unit	S.Sku	M.Sku	Description	Reference Designators	Notes
1	0.2920	M		A74-00000-00720	WIRE,RAW FLAT CABLE;UL2651;AWG:28;POLES:20;GRAY;PIN1:RED;PITCH:1mm27		
2	1.0000	PC	Q74-00020-28720	A74-00020-28720	CABLE;FLAT;P:2mm54;LENGTH:280mm;AWG:28;FC1/FD;+10/-0mm;POLES:20	[2: {1.0}(X30)]	
3	1.0000	PC		A81-03530-46742	WIRE HARNESS;LENGTH:35mm;AWG:26;P:2mm;SHS;HOUSING-BOARD IN CONNECTOR;POLES:4;PIN1 RED/OTHERS BLK		
4	1.0000	PC		A81-03530-46842	WIRE HARNESS;LENGTH:35mm;AWG:26;P:2mm;ZEE;HOUSING-BOARD IN CONNECTOR;POLES:4;PIN1 RED/OTHERS BLK	[2: {1.0}(X32)]	
5	1.0000	PC		A81-03530-76742	WIRE HARNESS;LENGTH:35mm;AWG:26;P:2mm;SHS;HOUSING-BOARD IN CONNECTOR;POLES:7;PIN1 RED/OTHERS BLK		
6	1.0000	PC		A81-03530-76842	WIRE HARNESS;LENGTH:35mm;AWG:26;P:2mm;SHS;ZEE;HOUSING-BOARD IN CONNECTOR;POLES:7;PIN1 RED/OTHERS BLK	[2: {1.0}(X31)]	
7	1.0000	PC		A81-12030-66040	WIRE HARNESS;LENGTH:120mm;AWG:26;P:2mm;HOUSING-BOARD IN CONNECTOR;POLES:6;PIN1 RED/OTHERS BLK		
8	1.0000	PC		A81-12030-66840	WIRE HARNESS;LENGTH:120mm;ZEE;AWG:26;UL2468;P:2mm;HOUSING-BOARD IN CONNECTOR;POLES:6;PIN1 RED/OTHERS BLK	[P0486:00: {1.0}(X3)]	
9	1.0000	PC		A81-21030-26820	WIRE HARNESS;LENGTH:210mm;ZEE;AWG:26;P:2mm;HOUSING-STRIPPED/TINNED 5mm;POLES:2;PIN1 RED/OTHERS BLK		
10	0.0000	PC		A81-25031-06742	WIRE HARNESS;LENGTH:250mm;AWG:26;P:2mm;SHS;HOUSING-BOARD IN CONNECTOR;POLES:10;PIN1 RED/OTHERS BLK		
11	1.0000	PC		A81-25031-06842	WIRE HARNESS;LENGTH:250mm;AWG:26;P:2mm;ZEE;HOUSING-BOARD IN CONNECTOR;POLES:10;PIN1 RED/OTHERS BLK	[3: {1.0}(X7)]	
12	1.0000	PC	Q76-15032-55649	A76-15032-55649	CABLE;AC-CORD;CLASS II;W/POLYBAG;JAPAN;LENGTH:150cm;POLES:3;APPROVAL:PSE;JS155 3 + VCTF 3x0.75mm2 + V1528		(JP, HM, SH)
13	1.0000	PC		A76-18050-06505	CABLE;AC-CORD;LENGTH:180cm;VERSION:SAA;PLUG:HE105 ISOLATED;SAA H05VV-F 3x0.75mm2;CONN.HP-3;PANYU		(SAA)
14	1.0000	PC	Q76-15042-05624	A76-15042-05624	CABLE;AC-CORD;W/POLYBAG;LENGTH:150cm;H05VV-F3G0.75MM2;VERSION;UK;SPEC.NO:05624		(UK)
15	1.0000	PC	Q76-15222-06417	A76-15222-06417	CABLE;AC-CORD;W/POLYBAG;LENGTH:152cm;AWG:18;VERSION;UL;SPEC.NO:06417		(UL)
16	1.0000	PC	Q76-18050-47490	A76-18050-47490	CABLE;AC-CORD;LENGTH:180cm;VERSION:SAA;PLUG:HE105 ISOLATED;SAA H05VV-F 3x0.75mm2;CONN.HP-3;SPEC.NO:47490		(SAA)
17	1.0000	PC	Q76-00000-05305	A76-00000-05305	CABLE;AC-CORD;3BR;1500 MM;Plug + Connector:375+730;H05VV-F 3G0.75		(BR)
18	1.0000	PC	Q76-15212-03119	A76-15212-03119	CABLE;AC-CORD;W/POLYBAG;LENGTH:152cm;H05VV-F 3G 0.75MM2;VERSION;EU;SPEC.NO:03119		(EU)

Capacitor

	Quantity	Unit	S.Sku	M.Sku	Description	Reference Designators	Notes
1	12.0000	PC			CAP E;220uF;4V;PITCH:2mm5;5mm x 11mm;VERTICAL 12.7-15-9mm	[P0160:01: {12.0}(C89-C90,C103-C104,C109-C112,C123-C126)]	*NOT available in DP
2	17.0000	PC			CAP E;100uF;6V;PITCH:2mm5;5mm x 11mm;VERTICAL 12.7-15-9mm	[P0160:01: {13.0}(C59,C65-C66,C91-C92,C116,C118,C120,C122,C128,C130,C132,C134)]	*NOT available in DP
3	1.0000	PC			CAP E;220uF;10V;PITCH:2mm5;6mm x 11mm;VERTICAL 12.7-15-9mm	[P0160:01: {1.0}(C41)]	*NOT available in DP
4	12.0000	PC			CAP E;10uF;25V;PITCH:2mm5;5mm x 11mm;VERTICAL 12.7-15-9mm	[SMPSU22:00: {1.0}(C2)]	*NOT available in DP
5	52.0000	PC			CAP E;47uF;25V;PITCH:2mm5;5mm x 11mm;VERTICAL 12.7-15-9mm	[P0794:00: {1.0}(C10)]	*NOT available in DP
6	2.0000	PC			CAP E;100uF;25V;PITCH:2mm5;6mm x 12mm;VERTICAL 12.7-15-9mm	[P0794:00: {2.0}(C4-C5)]	*NOT available in DP
7	1.0000	PC			CAP E;1uF;50V;PITCH:2mm5;5mm x 11mm;VERTICAL 12.7-15-9mm	[P0794:00: {1.0}(C13)]	*NOT available in DP
8	7.0000	PC			CAP E;2uF;50V;PITCH:2mm5;5mm x 11mm;VERTICAL 12.7-15-9mm	[P0160:01: {7.0}(C127,C129,C131,C133,C147-C149)]	*NOT available in DP
9	2.0000	PC			CAP E;47uF;63V;PITCH:2mm5;6mm x 11mm;VERTICAL 12.7-15-9mm	[P0794:00: {2.0}(C18-C19)]	*NOT available in DP
10	4.0000	PC			CAP E;1mF;6V;PITCH:3mm5;8mm x 14mm;PRECUT:3mm2 -0/+0mm2	[2: {4.0}(C23-C26)]	*NOT available in DP
11	1.0000	PC			CAP E;470uF;10V;PITCH:3mm5;8mm x 12mm;PRECUT:3mm2 -0/+0mm2	[1: {1.0}(C42)]	*NOT available in DP
12	1.0000	PC			CAP E;1uF;25V;PITCH:2mm5;4mm x 7mm;PRECUT:3mm2 -0/+0mm2	[DPM5V1000:00: {1.0}(C7)]	*NOT available in DP
13	4.0000	PC			CAP E;10uF;25V;PITCH:2mm5;4mm x 7mm;PRECUT:3mm2 -0/+0mm2	[DPM5V1000:00: {4.0}(C1-C3,C5)]	*NOT available in DP
14	2.0000	PC			CAP E;47uF;25V;PITCH:2mm5;5mm x 7mm;PRECUT:3mm2 -0/+0mm2	[DPM5V1000:00: {2.0}(C4,C6)]	*NOT available in DP
15	1.0000	PC			CAP E;330uF;100V;PITCH:5mm;PRECUT:3mm2 -0/+0mm2;13 x 25mm	[SMPSU22:00: {1.0}(C20)]	*NOT available in DP
16	1.0000	PC			CAP CER;1uF;16V;X7R;10%;SMT805	[DPM5V1000:00: {1.0}(C18)]	*NOT available in DP
17	1.0000	PC			CAP CER;100pF;25V;COG;10%;SMT805	[SMPSU22:00: {1.0}(C32)]	*NOT available in DP
18	2.0000	PC			CAP CER;10pF;50V;10%;SMT603	[1: {2.0}(C274-C275)]	*NOT available in DP
19	38.0000	PC			CAP CER;20pF;50V;20%;SMT603	[1: {20.0}(C253-C256,C259-C262,C268-C273,C288-C289,C300,C302,C304-C305)]	*NOT available in DP
20	7.0000	PC			CAP CER;47pF;50V;5%;COG(NPO);SMT603	[1: {7.0}(C287,C290-C292,C299,C310-C311)]	*NOT available in DP
21	32.0000	PC			CAP CER;100pF;50V;20%;SMT603	[1: {14.0}(C250,C252,C257,C263-C267,C293-C296,C301,C303)]	*NOT available in DP
22	2.0000	PC			CAP CER;220pF;50V;10%;SMT603	[2: {2.0}(C180,C206)]	*NOT available in DP
23	8.0000	PC			CAP CER;330pF;50V;20%;SMT603	[2: {8.0}(C189-C192,C198-C201)]	*NOT available in DP
24	12.0000	PC			CAP CER;680pF;50V;10%;SMT603	[2: {12.0}(C167-C178)]	*NOT available in DP
25	2.0000	PC			CAP CER;6nF;50V;10%;SMT603	[2: {2.0}(C182,C208)]	*NOT available in DP
26	2.0000	PC			CAP CER;15nF;50V;10%;SMT603	[2: {2.0}(C181,C207)]	*NOT available in DP
27	2.0000	PC			CAP CER;20pF;50V;10%;SMT805	[DPM5V1000:00: {2.0}(C15-C16)]	*NOT available in DP
28	1.0000	PC			CAP CER;2nF;25V;10%;SMT805	[DPM5V1000:00: {1.0}(C10)]	*NOT available in DP
29	1.0000	PC			CAP CER;10nF;50V;10%;SMT805	[1: {1.0}(C249)]	*NOT available in DP
30	67.0000	PC			CAP CER;100nF;50V;X7R;10%;SMT805	[SMPSU22:00: {9.0}(C23-C31)]	*NOT available in DP
31	16.0000	PC			CAP MYL;33nF;50V;10%;PITCH:5mm;DIPPED;VERTICAL 12.7-15-9mm	[P0160:01: {16.0}(C76-C81,C83-C88,C97-C98,C101-C102)]	*NOT available in DP
32	16.0000	PC			CAP MYL;12nF;100V;10%;PITCH:4mm;DIPPED;PRECUT:3mm1 +/-0mm5	[1: {16.0}(C55-C58,C67-C74,C93-C96)]	*NOT available in DP
33	16.0000	PC			CAP MYL;18nF;100V;10%;PITCH:4mm5;DIPPED;PRECUT:3mm1 +/-0mm5	[1: {16.0}(C37-C40,C43-C54)]	*NOT available in DP
34	3.0000	PC			CAP Y2;4nF;275V;PITCH:7mm5;Y2	[SMPSU22:00: {3.0}(C3,C21-C22)]	*NOT available in DP
35	1.0000	PC			CAP E;150uF;400V;PITCH:10mm;25mmx30mm;SNAP-IN;PRECUT:3mm2 -0/+0mm2	[SMPSU22:00: {1.0}(C7)]	*NOT available in DP
36	2.0000	PC	R12-32100-04351	B12-32100-04351	CAP X2;100nF;275V;PITCH:15mm;CASE:8mm5 x 18mm;PRECUT:3.1mm+/-0mm5	[SMPSU22:00: {2.0}(C8,C14)]	

	Quantity	Unit	S.Sku	M.Sku	Description	Reference Designators	Notes
37	1.0000	PC			CAP E;470uF;16V;PITCH:3mm5;8mm x 14mm;PRECUT:3mm2 - 0/+0mm2;LOW ESR	[SMPSU22:00: {1.0}(C9)]	*NOT available in DP
38	2.0000	PC			CAP E;1mF;25V;PITCH:5mm;10mm x 20mm;PRECUT:3mm2 - 0/+0mm2;LOW ESR	[SMPSU22:00: {2.0}(C12,C16)]	*NOT available in DP
39	1.0000	PC			CAP CER;100pF;1KV;20%;PITCH:5mm;DISC;VERTICAL 12.7-15-9mm	[P0794:00: {1.0}(C17)]	*NOT available in DP
40	2.0000	PC			CAP CER;1nF;1KV;20%;PITCH:5mm;DISC;VERTICAL 12.7-15-9mm	[P0794:00: {2.0}(C11,C15)]	*NOT available in DP
41	1.0000	PC			CAP CER;10nF;1KV;20%;PITCH:10mm;DISC;PRECUT:3mm1 +/-0mm5	[SMPSU22:00: {1.0}(C1)]	*NOT available in DP
42	1.0000	PC			CAP E;470uF;25V;PITCH:3mm5;8mm x 14mm;PRECUT:3mm2 - 0/+0mm2;105C	[SMPSU22:00: {1.0}(C6)]	*NOT available in DP
43	8.0000	PC			CAP E;47uF;50V;PITCH:2mm5;6mm x 11mm;LOW LEAKAGE;VERTICAL 12.7-15-9mm	[P0160:02: {8.0}(C1-C5,C8,C11,C14)]	*NOT available in DP

**Circuit Protector**

	Quantity	Unit	S.Sku	M.Sku	Description	Reference Designators	Notes
1	1.0000	PC	R22-01513-16001	B22-01513-16001	FUSE;1A6;250V;SLOW BLOW;H-TYPE;5mm x 20mm		

**Coil**

	Quantity	Unit	S.Sku	M.Sku	Description	Reference Designators	Notes
1	1.0000	PC		B34-00000-43407	COIL;LINE FILTER;25 mH;20 MM;UT20 L:25mH MIN@1KHZ,0.25V	[SMPSU22:00: {1.0}(L1)]	
2	3.0000	PC	R39-00000-03394	B39-00000-03394	COIL;SMD;BEAD;SMD0805;(BLM21BD7515N1D)	[DPM5V1000:00: {3.0}(L1-L3)]	

**Connector**

	Quantity	Unit	S.Sku	M.Sku	Description	Reference Designators	Notes
1	8.0000	PC	R84-25016-06014	B84-25016-06014	CRIMP TERMINAL;PITCH:2mm0;AWG24-30;A2008TOP-2		
2	1.0000	PC	R84-42050-00155	B84-42050-00155	CRIMP CONNECTOR;LUG;INNER DIA:4mm3;AWG 14-18;WIRE MOUNT;STRAIGHT		
3	2.0000	PC	R95-01320-03303	B95-01320-03303	CONNECTOR;XLR;SOCKET;MALE;STRAIGHT;POLES:3	[3: {2.0}(X5-X6)]	
4	4.0000	PC	R95-01340-03300	B95-01340-03300	CONNECTOR;XLR;SOCKET;FEMALE;STRAIGHT;POLES:3		
5	4.0000	PC	R95-14340-00164	B95-14340-00164	CONNECTOR;XLR;SOCKET;FEMALE;STRAIGHT;POLES:3;NO:06;(CHUN SHENG CT3-02HF)	[2: {4.0}(X11-X14)]	

**Diode**

	Quantity	Unit	S.Sku	M.Sku	Description	Reference Designators	Notes
1	1.0000	PC			DIODE;HER104;DO41;RADIAL	[SMPSU22:00: {1.0}(D7)]	*NOT available in DP
2	1.0000	PC			DIODE;HER107;DO41;RADIAL	[SMPSU22:00: {1.0}(D3)]	*NOT available in DP
3	1.0000	PC			DIODE;HER207;DO15;RADIAL	[SMPSU22:00: {1.0}(D9)]	*NOT available in DP
4	4.0000	PC			DIODE;HER303;DO27;RADIAL	[SMPSU22:00: {4.0}(D4-D6,D8)]	*NOT available in DP
5	8.0000	PC			DIODE;BAV103;SOD80;TEMIC	[2: {8.0}(D1-D8)]	*NOT available in DP
6	13.0000	PC			DIODE;LL4148;LL34;TEMIC OR FC;SMD	[1: {10.0}(D9-D18)]	*NOT available in DP
7	1.0000	PC			DIODE;P6KE;200A;DO15	[P0794:00: {1.0}(D2)]	*NOT available in DP
8	1.0000	PC			DIODE;ZPD47V0;DO35;TEMIC OR FC	[SMPSU22:00: {1.0}(D10)]	*NOT available in DP
9	1.0000	PC	X80-24270-20600	H80-24270-20600	RECTIFIER;BRIDGE;KBP206G	[SMPSU22:00: {1.0}(D1)]	



Display

	Quantity	Unit	S.Sku	M.Sku	Description	Reference Designators	Notes
1	1.0000	PC	S28-27040-24476	C28-27040-24476	DISPLAY;LED;HEIGHT:0in4;PATTERN:8.8.;RD;LDD4265-10/A	[1: {1.0} (LD4)]	

Hardware

	Quantity	Unit	S.Sku	M.Sku	Description	Reference Designators	Notes
1	0.5500	G			THERM-GREASE;COLOR:WHT;SPEC.NO:09286		*NOT available in DP
2	2.0240	G			SCREWLOCK;SPEC.NO:01090		*NOT available in DP
3	1.0000	PC			HEX. NUT;INNER DIA;M4mm;SURFACE:ZINC		*NOT available in DP
4	19.0000	PC			HEX. NUT;FOR JACK;M 3/8in;HEXWRENCH:11mm;THICKNESS:2mm;SURFACE:NICKEL/SLV		*NOT available in DP
5	1.0000	PC			HEX. NUT;FOR JACK;M 3/8in;HEXWRENCH:11mm;THICKNESS:2mm4;SURFACE:NICKEL/SILVER		*NOT available in DP
6	15.0000	PC			SCREW;M3mm*5mm;HEAD:PAN;INSERT:PHILIPS REC.;SURFACE:BLACK/ZINC		*NOT available in DP
7	3.0000	PC			SCREW;M3mm*6mm;HEAD:PAN;INSERT:PHILIPS REC.;SURFACE:SILVER/ZINC		*NOT available in DP
8	14.0000	PC			SCREW;M3mm*6mm;HEAD:PAN;INSERT:PHILLIPS REC.;SURFACE:BLACK/ZINC		*NOT available in DP
9	17.0000	PC			SCREW;M3mm*6mm;HEAD:TRUSS DIA 5mm2;INSERT:PHILIPS REC.;SURFACE:BLACK/ZINC		*NOT available in DP
10	13.0000	PC			SCREW;BT3mm*8mm;HEAD:PAN;INSERT:PHILLIPS REC.;SURFACE:BLACK/ZINC		*NOT available in DP
11	3.0000	PC			SCREW;M03mm*08mm;HEAD:PAN SPRING WASHER;INSERT:PHILIPS REC.;SURFACE:SILVER/ZINC		*NOT available in DP
12	6.0000	PC			SCREW;M4mm*6mm;HEAD:PAN;INSERT:PHILIPS REC.;SURFACE:BLACK/ZINC		*NOT available in DP
13	1.0000	PC			SCREW;M4mm*10mm;HEAD:BINDING;INSERT:PHILIPS REC.;SURFACE:SILVER/ZINC		*NOT available in DP
14	2.0000	PC		F89-07018-00111	INSULATION SHEET;SI-RUBBER;TO220 W/HOLE;11mm*18mm		
15	1.0000	PC	V89-07022-00121	F89-07022-00121	INSULATION SHEET;SI-RUBBER;TO220;COVER		
16	1.0000	PC			METAL;SHIELD;UB-MIXER TRANSFORMER;DST.NO:002;DPT.NO:06841;(UB-MIXER-TRAFO_SHIELDING-REV8.DWG)		*NOT available in DP
17	1.0000	PC			SHIELD 01;UB MIXER;TIN SHEET;DWG.NO:24864;(R20-UB-SHIELD1-REVA.DWG)	[1: {1.0} (Z1)]	*NOT available in DP
18	1.0000	PC			SILICA GEL;MASS;20g;SPEC.NO:20QB-BB2001-4		*NOT available in DP
19	1.0000	PC			STUD;THREAD-DIA;3mm;LENGTH:10mm5;EXT/INT;EXT;5mm		*NOT available in DP
20	1.0000	PC			STUD;THREAD-DIA;3mm;LENGTH:10mm5;INT/INT		*NOT available in DP
21	13.0000	PC			STUD;THREAD-DIA;3mm;LENGTH:13mm8;INT/INT		*NOT available in DP
22	2.0000	PC			STUD;THREAD-DIA;3mm;LENGTH:24mm3;INT/INT		*NOT available in DP
23	0.0850	M			SHRINKING TUBE;INNER DIA;4mm;SPEC.NO:01098		*NOT available in DP
24	0.0600	M			SHRINKING TUBE;INNER DIA;6mm;SPEC.NO:01099		*NOT available in DP
25	20.0000	PC			WASHER;PLAIN;INNER DIA:9mm6;OUTER DIA:13mm;THICKNESS;0mm5;PLATING:NICKEL		*NOT available in DP
26	2.0000	PC			WASHER;EXTERNAL TEETH;INNER DIA:4mm;OUTER DIA:7mm;THICKNESS;1mm7		*NOT available in DP
27	1.0000	PC		F97-00600-11827	FILM;PROTECTIVE;DST.NO:006;DPT.NO:11827;(UB-SPSU-FOIL-REV.F.DWG)		
28	2.0000	PC			BUSHING;MINIATURE;NYLON;DWG.NO:27886;(R20-SC-PLA_NYLBUSHM3x1_4.DWG)		*NOT available in DP

Ic

	Quantity	Unit	S.Sku	M.Sku	Description	Reference Designators	Notes
1	1.0000	PC	S60-54422-00528	C60-22422-00528	IC;AD/DA;V4220M;SSOP	[DPMSV1000:00: {1.0}]{IC2}	
2	1.0000	PC		C60-54422-00528	IC;AD/DA;CS4220;SOP		
3	33.0000	PC		C73-00000-29050	IC;OPAMP;SMD;SOP;8;BA4580RF	[1: {24.0}]{IC12-IC23,IC25-IC26,IC30-IC39}	
4	2.0000	PC		C73-59458-00408	IC;OPAMP OPAMP;NJM4580L;SIP	[2: {2.0}]{IC1-IC2}	
5	9.0000	PC	S73-59458-00508	C73-59458-00508	IC;OPAMP OPAMP;NJM4580;SOP		
6	1.0000	PC	S74-41024-50707	C74-41024-50707	IC;POWER-CONVERSION;TOP245Y;TO-220-7C	[SMPSU22:00: {1.0}]{IC2}	
7	1.0000	PC	S74-61043-10803	C74-61043-10803	IC;POWER-CONVERSION;VOLT.REFERENCE;TO-92;TL431ACZ	[SMPSU22:00: {1.0}]{IC3}	
8	1.0000	PC	S77-05107-03110	C77-05107-03110	IC;VOLT.REGULATOR;7805F;FULLPACK;TO220		
9	4.0000	PC	S78-55133-90514	C78-55133-90514	IC;COMPARATOR;(SGS ONLY);LM339;SOP;SMD	[1: {4.0}]{IC24,IC27-IC29}	
10	1.0000	PC	T12-00100-02216	D12-00100-02217	IC;DIG COMM.;EUROTEC;V1000;SOIC	[DPMSV1000:00: {1.0}]{IC3}	
11	1.0000	PC	T24-18081-61832	D24-18081-61832	IC;MICROCONTROLLER;ATMEGA8A-AU;SMD;TQFP32		
12	1.0000	PC		D32-00106-02015	IC;PROGRAM;LABEL;DPM5;V1000;DATE:24.07.2006;REV:1.06	[DPMSV1000:00: {1.0}]{IC1}	

Led

	Quantity	Unit	S.Sku	M.Sku	Description	Reference Designators	Notes
1	1.0000	PC		E10-00000-28401	LED HIB;3mm ROUND;AMBER;NORMAL BRIGHT;W/RING;LED;v:Typ.60mcd	[1: {1.0}]{LD8}	
2	4.0000	PC	U10-33565-00578	E10-33565-00578	LED HIB;2mm x 5mm;GREEN	[1: {4.0}]{LD3,LD5-LD7}	
3	1.0000	PC	U10-39585-00580	E10-39585-00580	LED HIB;2mm x 5mm;YELLOW	[1: {1.0}]{LD2}	
4	13.0000	PC	U10-53565-00588	E10-53565-00588	LED HIB;3mm ROUND;GREEN	[1: {13.0}]{LD14-LD19,LD21-LD27}	
5	8.0000	PC	U10-59585-00592	E10-59585-00592	LED HIB;3mm ROUND;YELLOW	[1: {8.0}]{LD12-LD13,LD28-LD33}	
6	1.0000	PC	U12-37630-00579	E12-37630-00579	LED;2mm x 5mm;RD	[1: {1.0}]{LD1}	
7	9.0000	PC	U12-57630-00590	E12-57630-00590	LED;3mm ROUND;RD	[1: {9.0}]{LD9-LD11,LD34-LD39}	
8	1.0000	PC		E12-67630-00595	LED;5mm ROUND;RD	[1: {1.0}]{LD20}	

Metal Part

	Quantity	Unit	S.Sku	M.Sku	Description	Reference Designators	Notes
1	1.0000	PC		A62-00500-00292	METAL;TRAY;UB1204FX-PRO;DST.NO:005;DPT.NO:00292;(R20-UB1204FX-BOTTOM_CAB-REVE.DWG)		
2	1.0000	PC		A62-02000-23975	METAL;POWER BRACKET;UB2222FX-PRO;DWG.NO:23975;(R20-UB2222FX-POWER_BRACKET-REVE.DWG)		
3	1.0000	PC		A62-02000-27452	METAL;POWER BRACKET COVER;UBSPSU;DWG.NO:27452;(R20-UB-POWER_BRACKET_COVER-REVB.DWG)		
4	2.0000	PC	Q65-22000-23870	A65-22000-23870	METAL;RACKMOUNT;UB1204FX-PRO;DWG.NO:23870;(R20-UB1204FX-RACKMOUNT-REVB.DWG)		
5	1.0000	PC	Q65-23000-24593	A65-23000-24593	METAL CLIP;DSP2000;DWG.NO:24593;(R14-DSP2000-CLIP-REVC.DWG)		
6	1.0000	PC		J02-00000-37004	METAL;P0160;TOPCAB;H003		

Plastic Part

	Quantity	Unit	S.Sku	M.Sku	Description	Reference Designators	Notes
1	4.0000	PC	W51-01200-01762	G51-01200-01762	RUBBER FOOT;STANDARD;SELF-ADHESIVE;COLOR:BLK;DWG.NO:01762		
2	1.0000	PC	W52-00200-10210	G52-00200-10210	ENCODER KNOB;BLACK;DST.NO:002;DPT.NO:10210;(PMX-ENCODERKNOB-REVB.DWG)		
3	6.0000	PC	W52-00200-11002	G52-00200-11002	KNOB;POT;(10);430C;CAP:BLACK;DST.NO:002;DPT.NO:11002;(PMX-POTKNOB(10)IN]-REVB.DWG)		
4	4.0000	PC	W52-00200-00258	G52-00200-11003	KNOB;POT;(10);430C;CAP:WHITE;DST.NO:002;DPT.NO:11003;(PMX-POTKNOB(10)IN]-REVB.DWG)		
5	6.0000	PC	W52-10509-30924	G52-00200-11096	KNOB;FADER;SMALL;BLACK;WHITE LINE;DWG.NO:30924;(FADER-KNOB-SMALL-01-REVB.DWG)		
6	2.0000	PC	W52-00100-00251	G52-00200-11108	KNOB;FADER;SMALL;430C;WHITE LINE;DST.NO:001;DPT.NO:11108;:(FADER-KNOB-SMALL-01-REVB.DWG)		
7	2.0000	PC	W52-00200-12087	G52-00200-12087	KNOB;FADER;SMALL;432C;WHITE LINE;DST.NO:2;DPT.NO:12087;(FADER-KNOB-SMALL-01-REVB.DWG)		
8	14.0000	PC	W52-00200-12257	G52-00200-12257	KNOB;POTENTIOMETER;(10);430C;CAP:194C;DST.NO:002;DPT.NO:12257;(PMX-POTKNOB(10)IN-REVB.DWG)		
9	18.0000	PC	W52-00200-12258	G52-00200-12258	KNOB;POTENTIOMETER;(10);430C;CAP:289C;DST.NO:002;DPT.NO:12258;(PMX-POTKNOB(10)IN-REVB.DWG)		
10	4.0000	PC	W52-00300-02453	G52-00300-02453	KNOB;PMX-SERIES;GAIN POTENTIOMETER;DST.NO:003;DPT.NO:02453;(PMX-GAINKNOB-REVC.DWG)		
11	26.0000	PC	W52-00500-09353	G52-00500-09353	KNOB;SWITCH;UB-S;DST.NO:005;DPT.NO:09353;(UB-S_SWKNOB-REVE.DWG)		
12	6.0000	PC	W52-80508-23627	G52-80508-23627	KNOB;SWITCH;UB-L;7mm4;BLACK;DWG.NO:23627(R20-UB-L_SWKNOB-REVB.DWG)		
13	31.0000	PC	W53-00200-11127	G53-00200-11127	PLASTIC;SPACER;MOULDING;BLACK;LENGTH:11MM;DST.NO:002;DPT.NO:11127;(R20-ACCESSORY-LEDSPACER-REVB.DWG)		
14	6.0000	PC	W53-14000-01976	G53-14000-01976	PLASTIC;SPACER;ABS;BLACK;LENGTH:14MM2;(SWITCHSPACER14_2MM.DWG)		
15	1.0000	PC	W54-07100-01716	G54-07100-01716	PLASTIC;LED BAR;MX1804X;ABS;DWG.NO:01716;(R14-LBAR1804-REVC.DWG)		
16	1.0000	PC		G58-00100-08381	PLASTIC;SHEET;P0554;PET;BLACK;DST.NO:001;DPT.NO:8381;(XENYX 124FX-PET-SHEET-REVA.DWG)		
17	1.0000	PC		G58-00200-11129	PLASTIC;LED SPACER;MOULDING;BLACK;NO:8LENGTH:9MM;DST.NO:002;DPT.NO:11129;(LED-SPACER9MM.REVB.DWG)		
18	1.0000	PC		I64-00100-27298	PLASTIC;LED WINDOW;DPM5;ACRYL;PRINTED;FILMSET NO:001;DWG.NO:27298;(UB2442FX-DPM5_WINDOW-REVB.DWG)		

Plug Socket

	Quantity	Unit	S.Sku	M.Sku	Description	Reference Designators	Notes
1	1.0000	PC	W61-65220-03293	G61-65220-03293	BOX HEADER;POLES:20;2 ROW;STRAIGHT;PITCH:2mm54;SCM-20S	[1: {1.0}(X37)]	
2	1.0000	PC		G61-75220-13428	CABLE HEADER;POLES:20;2 ROW;IDE;STRAIGHT;PITCH:2mm54;FC-20P		
3	1.0000	PC		G61-85220-08163	TRANSITION PLUG;FLAT CABLE;POLES:20;ROWS:2;STRAIGHT;PITCH:2mm54;BLACK;FD-20P		
4	19.0000	PC	W64-01211-03174	G64-01211-03174	PLUG;JACK STEREO 6mm3;STRAIGHT SOLDER;W/O MET.RNG.;MET.BUSH.;NO NUT/WASHER;(JY-6351G-02-250)	[2: {15.0}(X8-X10,X16-X27)]	
5	1.0000	PC	W64-16212-00005	G64-16212-00005	PLUG;PCB;PLUG;JACK STEREO 6mm3;STRAIGHTPCB LUGS;NO NUT/WASHER;METAL BUSHING;(CHUNSHENG PJ-632HA)	[2: {1.0}(X28)]	
6	0.0000	PC	W67-20103-01824	G67-20103-01824	PLUG;AC SOCK;W FUSE;SNAP-IN;COLOR:BLK;POLES:03;(RONG-FENG RF-2004)		
7	1.0000	PC		G67-40103-01810	SOCKET;AC;SCREW MOUNT;FUSED;UL94V-0;10A/250VAC;FOR AMP CONN;COLOR:BLK;POLES:03;(JACKSON JR-101-1FS)		
8	1.0000	PC	W68-04004-03284	G68-04004-03284	PLUG;RCA;SOCKET;RCAJACK4P/S;FEMALE;POLES:04;STRAIGHT	[2: {1.0}(X15)]	
9	1.0000	PC		G71-00000-03961	WAFER;V1000-14B,0.35um;LOGIC-3.3V(1P4M)		
10	1.0000	PC		G71-15224-24042	PIN HEADER;POLES:24;STRAIGHT;PITCH:2.54 mm;2 ROWS;1002-24-S	[DPM5V1000:00: {1.0}(X11)]	
11	2.0000	PC	W71-23102-04756	G71-23102-04756	WAFER;POLES:2;STRAIGHT;PITCH:2 mm;1 ROW;TYPE:A2006WV-2P	[SMPSU22:00: {2.0}(X2,X4)]	
12	1.0000	PC	W71-23104-03185	G71-23104-03185	WAFER;POLES:4;STRAIGHT;PITCH:2 mm;1 ROW;JS1125-04	[1: {1.0}(X34)]	
13	1.0000	PC	W71-23106-04965	G71-23106-04965	WAFER;POLES:6;STRAIGHT;PITCH:2 mm;1 ROW;TYPE:A2006WV-6P	[1: {1.0}(X35)]	
14	1.0000	PC	W71-23107-03188	G71-23107-03188	WAFER;POLES:7;STRAIGHT;PITCH:2 mm;1 ROW;JS1125-07	[1: {1.0}(X33)]	
15	1.0000	PC	W71-23110-03191	G71-23110-03191	WAFER;POLES:10;STRAIGHT;PITCH:2 mm;1 ROW;JS1125-10	[1: {1.0}(X38)]	
16	1.0000	PC	W71-35224-03073	G71-35224-03073	PLUG;PCB;PLUG;PCB SOCKET;POLES:24;2 ROWS;STRAIGHT;PITCH:2mm54;2801-24GS	[1: {1.0}(X29)]	
17	21.0000	PC		G71-43000-05662	HOUSING;TERMINAL;SPH-002T-P0.5L		
18	1.0000	PC	W71-43102-05994	G71-43102-05994	PLUG;HOUSING;POLES:2;ROWS:1;STRAIGHT;PITCH:2mm;TYP:A2008		
19	1.0000	PC		G71-43104-05627	PLUG;HOUSING;POLES:4;1 ROW;STRAIGHT;PITCH:2mm		
20	1.0000	PC	W71-43106-05998	G71-43106-05998	PLUG;HOUSING;POLES:6;ROWS:1;STRAIGHT;PITCH:2mm;TYP:A2008		
21	1.0000	PC		G71-43107-05630	PLUG;HOUSING;P:2mm0;POLES:7;1 ROW;STRAIGHT;PITCH:2mm0		
22	1.0000	PC		G71-43110-05632	PLUG;HOUSING;P:2mm0;POLES:10;1 ROW;STRAIGHT;PITCH:2mm0		
23	27.0000	PC	W71-80000-05663	G71-80000-05663	BD.-IN-CONN;TERMINAL;SAN-002T-0.8A		
24	1.0000	PC	W71-83104-05644	G71-83104-05644	BOARD-IN-CONNECTOR;POLES:4;ROWS:1;STRAIGHT;PITCH:2 mm		
25	1.0000	PC	W71-83106-05650	G71-83106-05650	BOARD-IN-CONNECTOR;POLES:6;ROWS:1;STRAIGHT;PITCH:2 mm		
26	1.0000	PC	W71-83107-05651	G71-83107-05651	BOARD-IN-CONNECTOR;POLES:7;ROWS:1;STRAIGHT;PITCH:2 mm		
27	1.0000	PC	W71-83110-05654	G71-83110-05654	BOARD-IN-CONNECTOR;POLES:10;ROWS:1;STRAIGHT;PITCH:2 mm		

Power Supply

	Quantity	Unit	S.Sku	M.Sku	Description	Reference Designators	Notes
1	1.0000	PC	Z63-09390-24046	J63-09390-24046	TRANSFORMER;SPSU;40 WATT;UB-SERIES;DWG:24046		
2	1.0000	PC		J69-00000-52510	TRAF0;SWITCH MODE;POAL3;UNIVERSAL 100 TO 240;COMMON;590uH;DA XIN PN:KB1332-15304		
3	1.0000	PC		J69-00000-52512	TRAF0;SWITCH MODE;POAL3;UNIVERSAL 100 TO 240;COMMON;590uH;SUPERWORLD PN:R17-19-01214		

**Quarz**

	Quantity	Unit	S.Sku	M.Sku	Description	Reference Designators	Notes
1	1.0000	PC	X65-40471-00000	H65-40471-00000	QUARZ;RESONATOR;10MHz;HC49/S;FUNDAMENTAL	[DPM5V1000:00: {1.0}{Q1}]	

Resistor

	Quantity	Unit	S.Sku	M.Sku	Description	Reference Designators	Notes
1	2.0000	PC			RESISTOR;CARBON;13Kohm;5%;0W063;SMD603	[1: {2.0}(R240-R241)]	*NOT available in DP
2	4.0000	PC			RESISTOR;CARBON;130Kohm;5%;0W063;SMD603	[2: {4.0}(R100,R103,R106,R109)]	*NOT available in DP
3	8.0000	PC			RESISTOR;CARBON;3ohm9;5%;0W063;SMD603	[2: {8.0}(R67-R74)]	*NOT available in DP
4	4.0000	PC			RESISTOR;CARBON;4ohm7;5%;0W063;SMD603	[2: {4.0}(R111,R113,R115,R117)]	*NOT available in DP
5	1.0000	PC			RESISTOR;CARBON;200ohm;5%;0W063;SMD603	[1: {1.0}(R275)]	*NOT available in DP
6	2.0000	PC			RESISTOR;CARBON;360ohm;5%;0W063;SMD603	[2: {2.0}(R63,R75)]	*NOT available in DP
7	2.0000	PC			RESISTOR;CARBON;470ohm;5%;0W063;SMD603	[1: {2.0}(R268,R276)]	*NOT available in DP
8	3.0000	PC			RESISTOR;CARBON;510ohm;5%;0W063;SMD603	[1: {3.0}(R252,R353-R354)]	*NOT available in DP
9	8.0000	PC			RESISTOR;CARBON;910ohm;5%;0W063;SMD603	[1: {8.0}(R152-R153,R155-R156,R158-R159,R161-R162)]	*NOT available in DP
10	11.0000	PC			RESISTOR;CARBON;1Kohm;5%;0W063;SMD603	[1: {9.0}(R218,R250,R267,R314,R317,R320,R323,R325-R326)]	*NOT available in DP
11	8.0000	PC			RESISTOR;CARBON;1Kohm1;5%;0W063;SMD603	[1: {8.0}(R138-R143,R145-R146)]	*NOT available in DP
12	2.0000	PC			RESISTOR;CARBON;1Kohm2;5%;0W063;SMD603	[2: {2.0}(R64,R76)]	*NOT available in DP
13	8.0000	PC			RESISTOR;CARBON;1Kohm3;5%;0W063;SMD603	[1: {8.0}(R148-R151,R154,R157,R160,R163)]	*NOT available in DP
14	6.0000	PC			RESISTOR;CARBON;1Kohm5;5%;0W063;SMD603	[1: {6.0}(R205-R208,R344-R345)]	*NOT available in DP
15	1.0000	PC			RESISTOR;CARBON;1Kohm8;5%;0W063;SMD603	[1: {1.0}(R168)]	*NOT available in DP
16	4.0000	PC			RESISTOR;CARBON;2Kohm;5%;0W063;SMD603	[1: {4.0}(R172-R173,R202-R203)]	*NOT available in DP
17	2.0000	PC			RESISTOR;CARBON;2Kohm2;5%;0W063;SMD603	[2: {2.0}(R65,R77)]	*NOT available in DP
18	4.0000	PC			RESISTOR;CARBON;2Kohm7;5%;0W063;SMD603	[2: {4.0}(R128-R131)]	*NOT available in DP
19	2.0000	PC			RESISTOR;CARBON;3Kohm6;5%;0W063;SMD603	[1: {2.0}(R350-R351)]	*NOT available in DP
20	11.0000	PC			RESISTOR;CARBON;3Kohm9;5%;0W063;SMD603	[1: {11.0}(R209,R211,R213,R215,R245,R255-R258,R306-R307)]	*NOT available in DP
21	8.0000	PC			RESISTOR;CARBON;4Kohm7;5%;0W063;SMD603	[1: {8.0}(R187,R217,R287,R289,R313,R316,R319,R322)]	*NOT available in DP
22	7.0000	PC			RESISTOR;CARBON;5Kohm1;5%;0W063;SMD603	[1: {7.0}(R273-R274,R277-R278,R282,R340-R341)]	*NOT available in DP
23	1.0000	PC			RESISTOR;CARBON;5Kohm6;5%;0W063;SMD603	[1: {1.0}(R238)]	*NOT available in DP
24	14.0000	PC			RESISTOR;CARBON;6Kohm8;5%;0W063;SMD603	[1: {14.0}(R175-R176,R178-R179,R181-R182,R184-R185,R283-R286,R288,R290)]	*NOT available in DP
25	1.0000	PC			RESISTOR;CARBON;8Kohm2;5%;0W063;SMD603	[1: {1.0}(R228)]	*NOT available in DP
26	35.0000	PC			RESISTOR;CARBON;10Kohm;5%;0W063;SMD603	[1: {19.0}(R177,R180,R183,R186,R192-R197,R236-R237,R308,R315,R318,R321,R324,R333,R352)]	*NOT available in DP
27	2.0000	PC			RESISTOR;CARBON;12Kohm;5%;0W063;SMD603	[1: {2.0}(R234-R235)]	*NOT available in DP
28	12.0000	PC			RESISTOR;CARBON;15Kohm;5%;0W063;SMD603	[1: {8.0}(R190-R191,R259-R262,R334-R335)]	*NOT available in DP
29	2.0000	PC			RESISTOR;CARBON;16Kohm;5%;0W063;SMD603	[2: {2.0}(R62,R81)]	*NOT available in DP
30	11.0000	PC			RESISTOR;CARBON;20Kohm;5%;0W063;SMD603	[1: {3.0}(R231,R244,R281)]	*NOT available in DP
31	16.0000	PC			RESISTOR;CARBON;27Kohm;5%;0W063;SMD603	[1: {16.0}(R170-R171,R200-R201,R292-R303)]	*NOT available in DP
32	6.0000	PC			RESISTOR;CARBON;30Kohm;5%;0W063;SMD603	[1: {6.0}(R188-R189,R198-R199,R219-R220)]	*NOT available in DP
33	3.0000	PC			RESISTOR;CARBON;47Kohm;5%;0W063;SMD603	[1: {3.0}(R169,R232-R233)]	*NOT available in DP
34	3.0000	PC			RESISTOR;CARBON;100Kohm;5%;0W063;SMD603	[1: {3.0}(R309,R343,R346)]	*NOT available in DP
35	1.0000	PC			RESISTOR;CARBON;200Kohm;5%;0W063;SMD603	[1: {1.0}(R310)]	*NOT available in DP
36	8.0000	PC			RESISTOR;CARBON;1Mohm;5%;0W063;SMD603	[1: {8.0}(R210,R212,R214,R216,R221-R224)]	*NOT available in DP
37	8.0000	PC			RESISTOR;METAL;1Kohm3;1%;0W063;SMD603	[2: {8.0}(R54-R61)]	*NOT available in DP
38	1.0000	PC			RESISTOR;CARBON;0ohm;5%;0W1;SMD805	[DPMSV1000:00: {1.0}(R1)]	*NOT available in DP
39	1.0000	PC			RESISTOR;CARBON;2ohm2;5%;0W1;SMD805	[DPMSV1000:00: {1.0}(R6)]	*NOT available in DP
40	1.0000	PC			RESISTOR;CARBON;5ohm1;5%;0W1;SMD805	[DPMSV1000:00: {1.0}(R4)]	*NOT available in DP
41	1.0000	PC			RESISTOR;CARBON;6ohm8;5%;0W1;SMD805	[SMP5U22:00: {1.0}(R17)]	*NOT available in DP
42	2.0000	PC			RESISTOR;CARBON;22ohm;5%;0W1;SMD805	[1: {2.0}(R338-R339)]	*NOT available in DP
43	6.0000	PC			RESISTOR;CARBON;47ohm;5%;0W1;SMD805	[2: {6.0}(R90-R91,R124-R125,R133-R134)]	*NOT available in DP

	Quantity	Unit	S.Sku	M.Sku	Description	Reference Designators	Notes
44	8.0000	PC			RESISTOR;CARBON;120ohm;5%;0W1;SMD805	[SMPSU22:00: {2.0}(R9-R10)]	*NOT available in DP
45	2.0000	PC			RESISTOR;CARBON;150ohm;5%;0W1;SMD805	[DPMSV1000:00: {2.0}(R2-R3)]	*NOT available in DP
46	1.0000	PC			RESISTOR;CARBON;470ohm;5%;0W1;SMD805	[SMPSU22:00: {1.0}(R24)]	*NOT available in DP
47	1.0000	PC			RESISTOR;CARBON;510ohm;5%;0W1;SMD805	[1: {1.0}(R280)]	*NOT available in DP
48	1.0000	PC			RESISTOR;CARBON;560ohm;5%;0W1;SMD805	[SMPSU22:00: {1.0}(R25)]	*NOT available in DP
49	1.0000	PC			RESISTOR;CARBON;820ohm;5%;0W1;SMD805	[SMPSU22:00: {1.0}(R23)]	*NOT available in DP
50	1.0000	PC			RESISTOR;CARBON;1Kohm;5%;0W1;SMD805	[DPMSV1000:00: {1.0}(R10)]	*NOT available in DP
51	6.0000	PC			RESISTOR;CARBON;1Kohm5;5%;0W1;SMD805	[1: {6.0}(R253-R254,R269-R272)]	*NOT available in DP
52	4.0000	PC			RESISTOR;CARBON;2Kohm2;5%;0W1;SMD805	[SMPSU22:00: {4.0}(R7-R8,R14-R15)]	*NOT available in DP
53	1.0000	PC			RESISTOR;CARBON;3Kohm3;5%;0W1;SMD805	[SMPSU22:00: {1.0}(R19)]	*NOT available in DP
54	1.0000	PC			RESISTOR;CARBON;4Kohm7;5%;0W1;SMD805	[DPMSV1000:00: {1.0}(R5)]	*NOT available in DP
55	1.0000	PC			RESISTOR;CARBON;10Kohm;5%;0W1;SMD805	[SMPSU22:00: {1.0}(R6)]	*NOT available in DP
56	1.0000	PC			RESISTOR;CARBON;22Kohm;5%;0W1;SMD805	[SMPSU22:00: {1.0}(R22)]	*NOT available in DP
57	3.0000	PC			RESISTOR;CARBON;47Kohm;5%;0W1;SMD805	[SMPSU22:00: {3.0}(R20-R21,R26)]	*NOT available in DP
58	3.0000	PC			RESISTOR;CARBON;680Kohm;5%;0W1;SMD805	[SMPSU22:00: {3.0}(R11-R13)]	*NOT available in DP
59	1.0000	PC			RESISTOR;CARBON;750Kohm;5%;0W1;SMD805	[DPMSV1000:00: {1.0}(R9)]	*NOT available in DP
60	1.0000	PC			RESISTOR;CARBON;1Mohm;5%;0W1;SMD805	[DPMSV1000:00: {1.0}(R7)]	*NOT available in DP
61	1.0000	PC			RESISTOR;METAL;10Kohm;1%;0W1;SMD805	[SMPSU22:00: {1.0}(R18)]	*NOT available in DP
62	1.0000	PC			RESISTOR;METAL;56Kohm2;1%;0W1;SMD805	[SMPSU22:00: {1.0}(R16)]	*NOT available in DP
63	1.0000	PC			RESISTOR;METAL;1Mohm;1%;0W1;SMD805	[DPMSV1000:00: {1.0}(R8)]	*NOT available in DP
64	2.0000	PC			RESISTOR;ARRAY METAL;33ohm;1%;SMD1206	[1: {2.0}(R137,R144)]	*NOT available in DP
65	3.0000	PC			RESISTOR;ARRAY;120ohm;SMD1206;CAY16-121J4	[2: {1.0}(R53)]	*NOT available in DP
66	1.0000	PC			RESISTOR;ARRAY;510ohm;SMD1206;CAY16-511J4	[2: {1.0}(R135)]	*NOT available in DP
67	2.0000	PC			RESISTOR;ARRAY;910ohm;SMD1206;CAY16-911J4	[1: {2.0}(R164,R166)]	*NOT available in DP
68	1.0000	PC			RESISTOR;ARRAY;1Kohm;SMD1206;CAY16-102J4	[1: {1.0}(R136)]	*NOT available in DP
69	2.0000	PC			RESISTOR;ARRAY;1Kohm5;SMD1206;CAY16-152J4	[1: {2.0}(R336-R337)]	*NOT available in DP
70	4.0000	PC			RESISTOR;ARRAY;METAL;2Kohm20;1%;SMD1206	[2: {4.0}(R96-R97,R122-R123)]	*NOT available in DP
71	5.0000	PC			RESISTOR;ARRAY;3Kohm9;SMD1206;CAY16-392J4	[1: {5.0}(R242-R243,R331-R332,R347)]	*NOT available in DP
72	1.0000	PC			RESISTOR;ARRAY;4Kohm7;SMD1206;CAY16-472J4	[1: {1.0}(R147)]	*NOT available in DP
73	10.0000	PC			RESISTOR;ARRAY;5Kohm1;SMD1206;CAY16-512J4	[1: {9.0}(R225-R227,R229,R263-R266,R312)]	*NOT available in DP
74	3.0000	PC			RESISTOR;ARRAY;6Kohm8;SMD1206;CAY16-682J4	[1: {2.0}(R165,R167)]	*NOT available in DP
75	7.0000	PC			RESISTOR;ARRAY;10Kohm;SMD1206;CAY16-103J4	[1: {3.0}(R174,R247,R291)]	*NOT available in DP
76	1.0000	PC			RESISTOR;ARRAY;12Kohm;SMD1206;CAY16-123J4	[1: {1.0}(R251)]	*NOT available in DP
77	1.0000	PC			RESISTOR;ARRAY;18Kohm;SMD1206;CAY16-183J4	[1: {1.0}(R342)]	*NOT available in DP
78	3.0000	PC			RESISTOR;ARRAY;20Kohm;SMD1206;CAY16-203J4	[1: {2.0}(R230,R279)]	*NOT available in DP
79	2.0000	PC			RESISTOR;ARRAY;27Kohm;SMD1206;CAY16-273J4	[1: {2.0}(R246,R311)]	*NOT available in DP
80	2.0000	PC			RESISTOR;ARRAY;36Kohm;SMD1206;CAY16-363J4	[1: {2.0}(R204,R239)]	*NOT available in DP
81	6.0000	PC			RESISTOR;ARRAY;47Kohm;SMD1206;CAY16-473J4	[1: {6.0}(R304-R305,R327-R330)]	*NOT available in DP
82	1.0000	PC			RESISTOR;ARRAY;62Kohm;SMD1206;CAY16-623J4	[1: {1.0}(R249)]	*NOT available in DP
83	1.0000	PC			RESISTOR;ARRAY;100Kohm;SMD1206;CAY16-104J4	[1: {1.0}(R248)]	*NOT available in DP
84	1.0000	PC	Y04-00100-23978	I04-00100-23978	THERMISTOR;NTC;10ohm;3A	[SMPSU22:00: {1.0}(R1)]	
85	1.0000	PC			VARIATOR;10 %;470 V;10D471K	[SMPSU22:00: {1.0}(VT1)]	*NOT available in DP
86	1.0000	PC			RESISTOR;CARBON;10ohm;5%;0W25;LEAD WIRE;HORIZONTAL 26-6mm	[P0794:00: {1.0}(R4)]	*NOT available in DP
87	2.0000	PC			RESISTOR;CARBON;27ohm;5%;0W25;LEAD WIRE;HORIZONTAL 26-6mm	[1: {2.0}(R41-R42)]	*NOT available in DP
88	2.0000	PC			RESISTOR;METAL;10Kohm;1%;0W25;LEAD WIRE;HORIZONTAL 26-6mm	[1: {2.0}(R43-R44)]	*NOT available in DP

	Quantity	Unit	S.Sku	M.Sku	Description	Reference Designators	Notes
89	8.0000	PC			RESISTOR;CARBON;510 ohm;0W25;5 %;CARB;HORIZONTAL 26-6mm	[P0160:02: {8.0}{R29-R30,R32-R33,R35-R36,R38-R39}]	*NOT available in DP
90	8.0000	PC			RESISTOR;METAL;825 ohm;0W25;1 %;MET;HORIZONTAL 26-6mm	[P0160:02: {8.0}{R1-R8}]	*NOT available in DP
91	8.0000	PC			RESISTOR;METAL;2.49 kohm;0W25;1 %;MET;HORIZONTAL 26-6mm	[P0160:02: {8.0}{R11-R12,R15-R16,R19-R20,R23-R24}]	*NOT available in DP
92	8.0000	PC			RESISTOR;METAL;3.92 kohm;0W25;1 %;MET;HORIZONTAL 26-6mm	[P0160:02: {8.0}{R25-R28,R31,R34,R37,R40}]	*NOT available in DP
93	8.0000	PC			RESISTOR;METAL;6.81 kohm;0W25;1 %;MET;HORIZONTAL 26-6mm	[P0160:02: {8.0}{R9-R10,R13-R14,R17-R18,R21-R22}]	*NOT available in DP
94	1.0000	PC			RESISTOR;CARBON;220ohm;5%;0W5;LEAD WIRE;RADIAL	[SMPSU22:00: {1.0}{R5}]	*NOT available in DP
95	2.0000	PC			RESISTOR;CARBON;330ohm;5%;0W5;LEAD WIRE;RADIAL	[SMPSU22:00: {2.0}{R2-R3}]	*NOT available in DP

Fader

	Quantity	Unit	S.Sku	M.Sku	Description	Reference Designators	Notes
1	8.0000	PC		I00-73441-02013	FADER;60mm;10Kohm;TAPER:D;MONO;W/O CC;LEVER;4mm*15mm;W/ THREADS M2;(SOUNDWELL SA6005NGA1B-HA1-007)	[1: {8.0}{VR47-VR50,VR53-VR56}]	
2	2.0000	PC	Y00-74451-02012	I00-74451-02012	FADER;60mm;10Kohm;TAPER:D;STEREO;W/O CC;LEVER LENGTH 15mm;(SOUNDWELL SA6005GOA0B-HA1-005)	[1: {2.0}{VR51-VR52}]	
3	8.0000	PC	Y00-33441-05353	I00-93441-01786	FADER;60mm;10Kohm;TAPER:D;MONO;W/O CC;LEVER;4mm*15mm;W/ THREADS M2;(POLYSHINE F-6045G-N1 D10K L15C(M)(J))	[1: {8.0}{VR47-VR50,VR53-VR56}]	
4	2.0000	PC		I00-94451-02670	FADER;60mm;10Kohm;TAPER:D;STEREO;W/O CC;LEVER LENGTH 15mm;(POLYSHINE F-6045G1 D10K1 L15C(M)(J))	[1: {2.0}{VR51-VR52}]	

Potentiometer

	Quantity	Unit	S.Sku	M.Sku	Description	Reference Designators	Notes
1	12.0000	PC		I03-61245-06649	POTENTIOMETER;50Kohm;TAPER:1B;MONO;SHAFT:30MM;W/ CC;20-100gf;NORMAL TORQUE;(NOBLE XV09213YNPV30F1B50KCC)	[1: {12.0}{VR5-VR8,VR11-VR14,VR17-VR20}]	
2	15.0000	PC		I03-61245-06653	POTENTIOMETER;50Kohm;TAPER:3B;MONO;SHAFT:30MM;W/ CC;20-100gf;NORMAL TORQUE;(NOBLE XV09213YNPV30F3B50KCC)	[1: {15.0}{VR23,VR25-VR32,VR34-VR39}]	
3	6.0000	PC		I03-62245-06643	POTENTIOMETER;50Kohm;TAPER:1B;STEREO;W/CC;20-100gf;NORMAL TORQUE;(NOBLE XV012313YGPV30F1B50KCC)	[1: {6.0}{VR9-VR10,VR15-VR16,VR21-VR22}]	
4	2.0000	PC	Y03-62245-06645	I03-62245-06645	POTENTIOMETER;50Kohm;TAPER:3B;STEREO;SHAFT:30MM;W/CC;20-100gf;NORMAL TORQUE;(NOBLE XV012313YGPV30F3B50KCC)	[1: {2.0}{VR24,VR33}]	
5	6.0000	PC		I03-62741-06642	POTENTIOMETER;10Kohm 10Kohm;TAPERA/C;STEREO;SHAFT:30MM;W/ CC;20-100gf;NORMAL TORQUE;(NOBLE XV012313YGPV30F15AC10KCC)	[1: {6.0}{VR41-VR46}]	
6	4.0000	PC	Y03-85335-01906	I03-63335-06650	POTENTIOMETER;5Kohm;TAPER:C05;MONO;SHAFT:30MM;W/O CC;20-100gf;NORMAL TORQUE;(NOBLE XV09213YNPV30F05C5K)	[2: {4.0}{VR1-VR4}]	
7	1.0000	PC	Y03-34645-31441	I03-64245-06647	POTENTIOMETER;50Kohm;TAPER:3B;STEREO;SHAFT:30MM;W/O CC;20-100gf;NORMAL TORQUE;(NOBLE XV012313YGPV30F3B50K)	[1: {1.0}{VR40}]	

Encoder

	Quantity	Unit	S.Sku	M.Sku	Description	Reference Designators	Notes
1	1.0000	PC	Y32-32430-24605	I32-92430-02704	ENCODER;12mm;DETENTS:24;PULSES:24;30mm;W/SWITCH;NO NUT;WASHER;(POLYSHINE F-12E55H24B-P+C L30FX12(O))	[1: {1.0}{SW7}]	

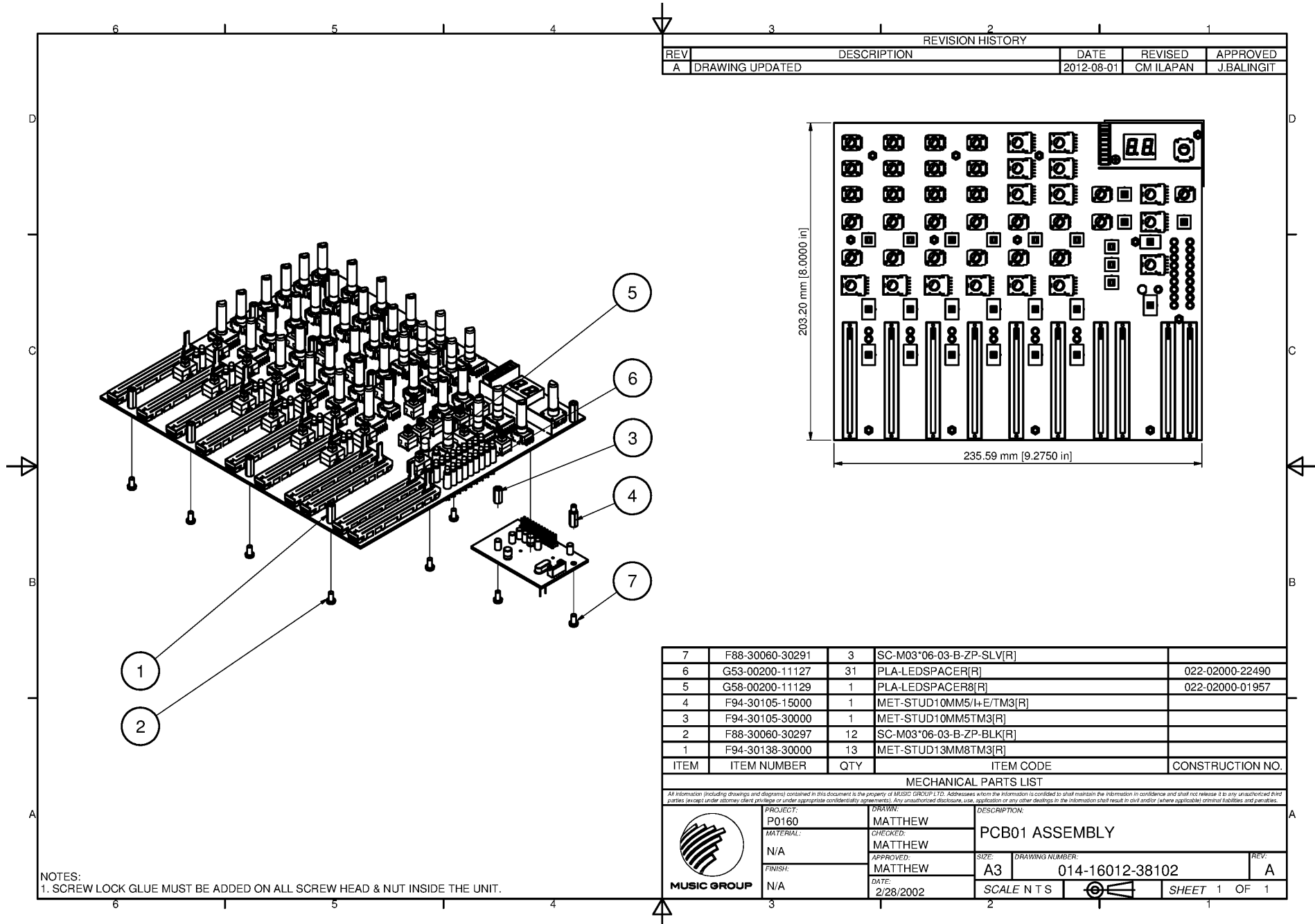


**Switch**

	Quantity	Unit	S.Sku	M.Sku	Description	Reference Designators	Notes
1	18.0000	PC	Y77-03422-02778	I77-03422-02778	SWITCH;RADIAL;2P2T;PCB VERSION;LOCKING;NONSHORT;RAD2P	[1: {12.0}(SW8-SW16,SW18-SW20)]	
2	14.0000	PC	Y77-03442-02780	I77-03442-02780	SWITCH;RADIAL;4P2T;PCB VERSION;LOCKING;NONSHORT;RAD4P	[1: {14.0}(SW17,SW21-SW33)]	
3	1.0000	PC	Y84-02211-00140	I84-02211-00140	SWITCH;ROCKER;1P1T;WHITE LINE MARKING RADIAL;LOCKING;NONSHORT;APPROVAL: UL94V0;(SOLTEAM MR22-FBBB-F2		
4	1.0000	PC		I84-02211-04984	SWITCH;ROCKER;POLES:1;TOGGLES:1;LOCKING;NONSHORT;SOLDER LUG;(CANAL:MR111-CVN-BBNW)		

**Transistor**

	Quantity	Unit	S.Sku	M.Sku	Description	Reference Designators	Notes
1	8.0000	PC			TRANSISTOR;TO92_TAPE;PITCH:2.54;3;2SA970GR-TR		*NOT available in DP
2	2.0000	PC			TRANSISTOR;BD239C;TO220		*NOT available in DP
3	1.0000	PC			TRANSISTOR;BD240C;TO220		*NOT available in DP
4	8.0000	PC			TRANSISTOR;2SA970-GR;TAPING;P:2.54MM;TO92	[2: {8.0}(T1-T8)]	*NOT available in DP
5	8.0000	PC			TRANSISTOR;SOT;3;MBTA06;BRAND:NXP AND INFINEON	[2: {8.0}(T14-T21)]	*NOT available in DP
6	14.0000	PC			TRANSISTOR;BC846B;SOT;SMD	[SMPSU22:00: {2.0}(T4,T6)]	*NOT available in DP
7	1.0000	PC			TRANSISTOR;BC856B;SOT;SMD	[SMPSU22:00: {1.0}(T5)]	*NOT available in DP
8	13.0000	PC			TRANSISTOR;MBTA56;SOT	[1: {13.0}(T22-T32,T45-T46)]	*NOT available in DP
9	5.0000	PC			TRANSISTOR;J113;TO92	[1: {5.0}(T9-T13)]	*NOT available in DP
10	0.0000	PC			TRANSISTOR;TIP32C;TO220		*NOT available in DP



REVISION HISTORY				
REV	DESCRIPTION	DATE	REVISED	APPROVED
A	DRAWING UPDATED	2012-08-01	CM ILAPAN	J.BALINGIT

7	F88-30060-30291	3	SC-M03*06-03-B-ZP-SLV[R]	
6	G53-00200-11127	31	PLA-LEDSPACER[R]	022-02000-22490
5	G58-00200-11129	1	PLA-LEDSPACER8[R]	022-02000-01957
4	F94-30105-15000	1	MET-STUD10MM5/H-E/TM3[R]	
3	F94-30105-30000	1	MET-STUD10MM5TM3[R]	
2	F88-30060-30297	12	SC-M03*06-03-B-ZP-BLK[R]	
1	F94-30138-30000	13	MET-STUD13MM8TM3[R]	
ITEM	ITEM NUMBER	QTY	ITEM CODE	CONSTRUCTION NO.

MECHANICAL PARTS LIST

All information (including drawings and diagrams) contained in this document is the property of MUSIC GROUP LTD. Addressees whom the information is confided to shall maintain the information in confidence and shall not release it to any unauthorized third parties (except under attorney client privilege or under appropriate confidentiality agreements). Any unauthorized disclosure, use, application or any other dealings in the information shall result in civil and/or (where applicable) criminal liabilities and penalties.

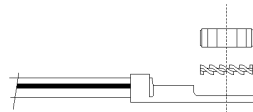
	PROJECT:	PO160	DRAWING NUMBER:		014-16012-38102	REV:	A	
	MATERIAL:	N/A	DRAWING NUMBER:		014-16012-38102	REV:	A	
	FINISH:	N/A	APPROVED:	MATTHEW	DATE:	2/28/2002	SCALE	N T S
	DESCRIPTION:		MATTHEW		A3		SHEET 1 OF 1	
			DESCRIPTION:		PCB01 ASSEMBLY			

NOTES:  
1. SCREW LOCK GLUE MUST BE ADDED ON ALL SCREW HEAD & NUT INSIDE THE UNIT.

△ C

option: only for projects with PE-cable to PCB !

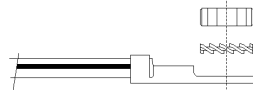
ASSEMBLED CABLE  
(Yellow/Green) to PCB



HEX NUT SC-NUHEXM04  
WASHER TEETH EXTERNAL SC-WATEEXT4×7×1.7  
ASSEMBLED CABLE WITH LUG 4.3mm WI-00/07/xxxx/07/05/00/18/34/00

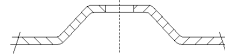
△ B △ C △ D

ASSEMBLED CABLE  
(Yellow/Green) to Power Conn.



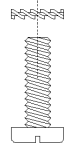
HEX NUT SC-NUHEXM04  
WASHER TEETH EXTERNAL SC-WATEEXT4×7×1.7  
ASSEMBLED CABLE WITH LUG 4.3mm WI-00/07/xxxx/07/05/00/18/34/00

△ B △ C △ D



METAL CASE  
WASHER TEETH EXTERNAL SC-WATEEXT4×7×1.7

△ B △ C △ D

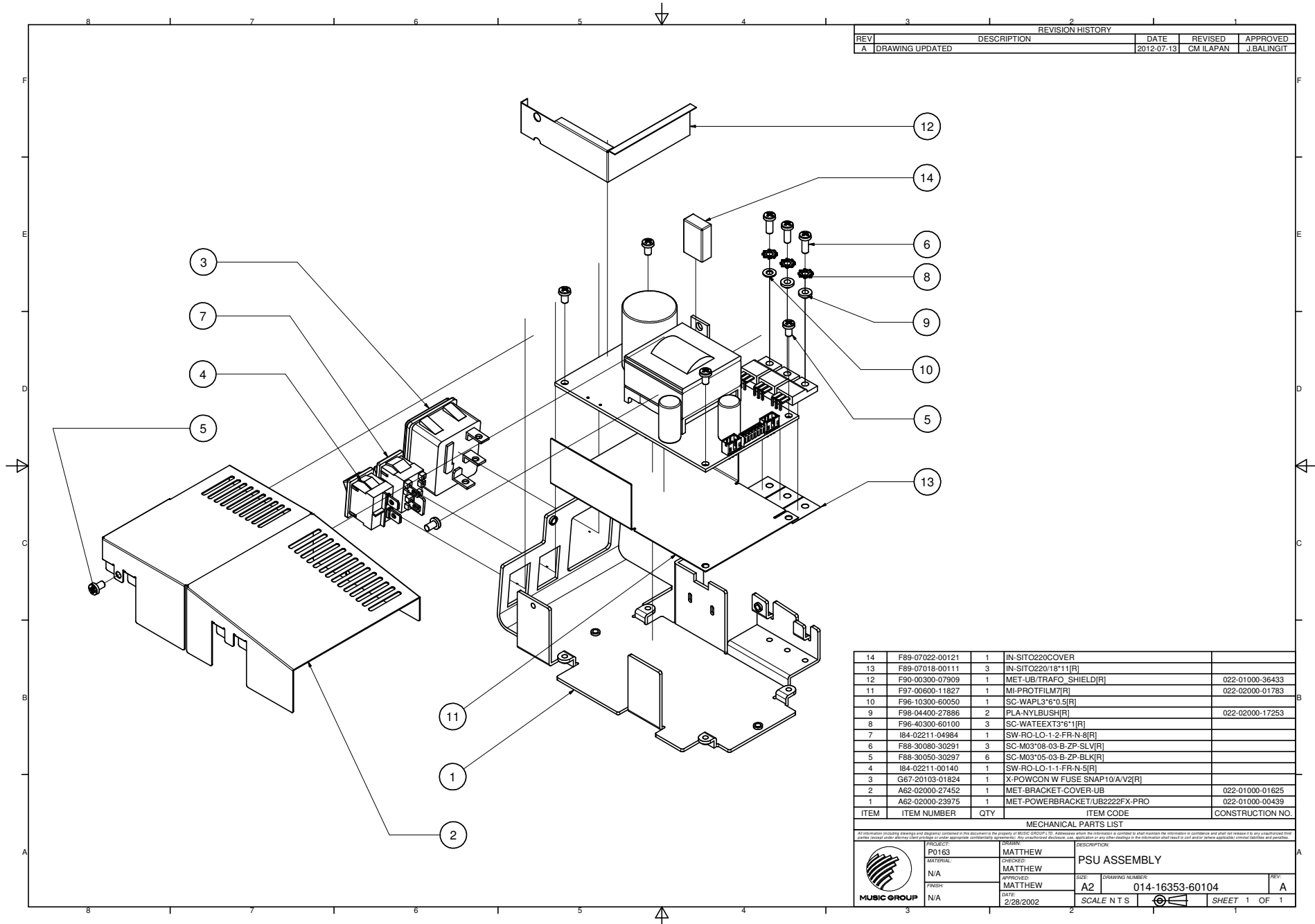


SCREW SC-M04×16-02-B-ZP-SLV  
(standard length, can be variable if required)

△ B △ C △ D

Part:		Name		Date	Project:
ASSEMBLE DRAWING		Drawn		PEUSE	08.01.1996
		File		R14-ASSEMBLE-PE-SCREW-REVD.DWG	
Drawing-No.:	X	Part-No.:			
		Color of Part			
		Printing			
		Surface			
D	changed from M3 to M4	03.06.2003	SCHOMMER	Scale	
C	add optional block, delete P-IDs	11.03.2002	MERKEL	Material	
B	adjust Part-IDs	11.04.2001	MERKEL	Units	
A		08.01.1996	PEUSE	Behringer	
Rev.	Modification	Date	Name	Part-ID:	DRA-ASSEMBLE/PE-SCREW
					Page 1
					of 1





REVISION HISTORY		DATE	REVISED	APPROVED
REV	DESCRIPTION			
A	DRAWING UPDATED	2012-07-13	CM ILAPAN	J.BALINGIT

ITEM	ITEM NUMBER	QTY	ITEM CODE	CONSTRUCTION NO.
14	F89-07022-00121	1	IN-SITO220COVER	
13	F89-07018-00111	3	IN-SITO220/18"11[R]	
12	F90-00300-07909	1	MET-UB/TRAFO_SHIELD[R]	022-01000-36433
11	F97-00600-11827	1	MI-PROTFILM7[R]	022-02000-01783
10	F96-10300-60050	1	SC-WAPL3*6*0.5[R]	
9	F96-04400-27886	2	PLA-NYLBUSH[R]	022-02000-17253
8	F96-40300-60100	3	SC-WATEEXT3*6*1[R]	
7	I84-02211-04984	1	SW-RO-LO-1-2-FR-N-8[R]	
6	F88-30080-30291	3	SC-M03*08-03-B-ZP-SLV[R]	
5	F88-30050-30297	6	SC-M03*05-03-B-ZP-BLK[R]	
4	I84-02211-00140	1	SW-RO-LO-1-1-FR-N-5[R]	
3	G67-20103-01824	1	X-POWCON W FUSE SNAP10/A/V2[R]	
2	A62-02000-27452	1	MET-BRACKET-COVER-UB	022-01000-01625
1	A62-02000-23975	1	MET-POWERBRACKET/UB2222FX-PRO	022-01000-00439

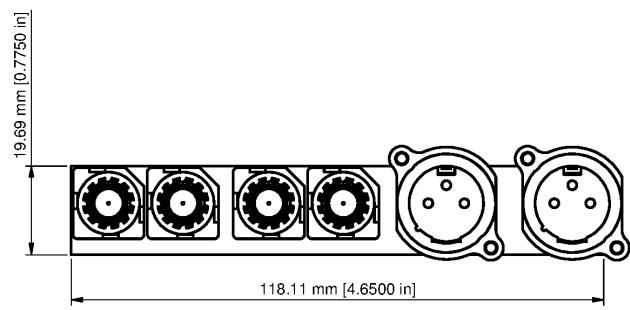
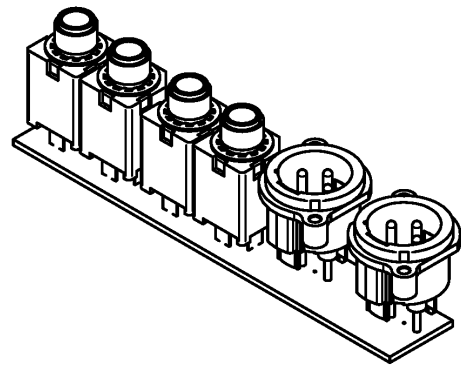
**MECHANICAL PARTS LIST**

All information (including drawings and diagrams) contained in this document is the property of MUSIC GROUP LTD. Addressee agrees to maintain the information in confidence and shall not release it to any unauthorized third parties without written consent provided in writing to MUSIC GROUP LTD. Addressee shall indemnify MUSIC GROUP LTD. for any and all claims, damages, losses and expenses, including reasonable attorneys' fees, arising out of or from this drawing or the information that results in such an unauthorized disclosure of confidential information.

PROJECT:	P0163	DESIGNER:	MATTHEW
MATERIAL:	N/A	CHECKED:	MATTHEW
APPROVED:	MATTHEW	DATE:	2/28/2002
FRSBK:	N/A	SIZE:	A2
		DRAWING NUMBER:	014-16353-60104
		REV:	A

SCALE N T S SHEET 1 OF 1

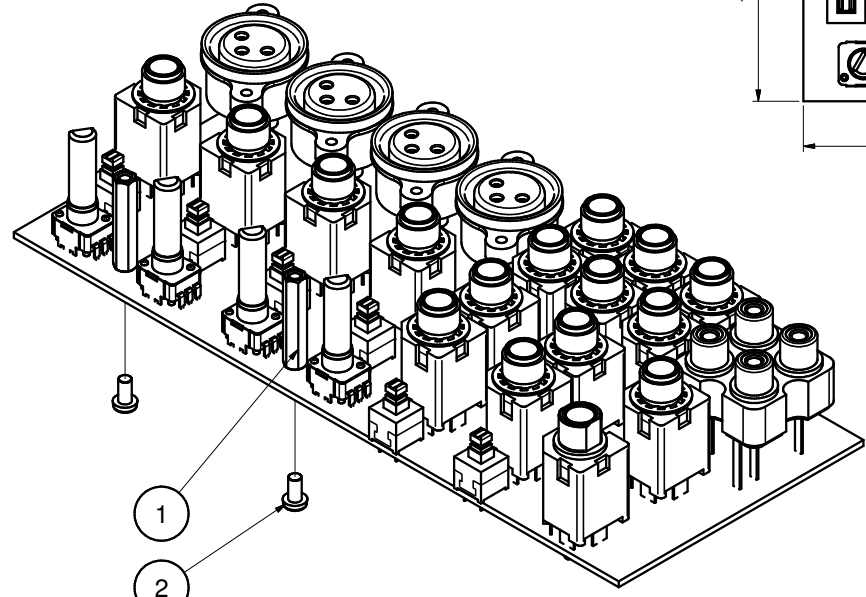
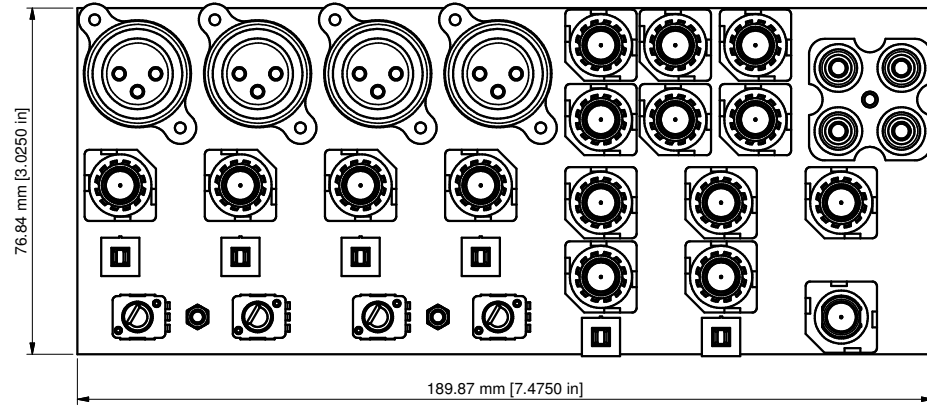
REVISION HISTORY				
REV	DESCRIPTION	DATE	REVISED	APPROVED
A	DRAWING UPDATED	2012-08-01	CM ILAPAN	J.BALINGIT



<small>All information (including drawings and diagrams) contained in this document is the property of MUSIC GROUP LTD. Addressees whom the information is confided to shall maintain the information in confidence and shall not release it to any unauthorized third parties (except) under attorney client privilege or under appropriate confidentiality agreements. Any unauthorized disclosure, use, application or any other dealings in the information shall result in civil and/or (where applicable) criminal liabilities and penalties.</small>					
	PROJECT:	P0160	DRAWING:		
	CHECKED:	MATTHEW	DESCRIPTION:		
	MATERIAL:	N/A	PCB03 ASSEMBLY		
	APPROVED:	MATTHEW	SIZE:	DRAWING NUMBER:	REV:
FINISH:	N/A	A3	014-16032-29701	A	
	DATE:	1/22/2002	SCALE N T S		SHEET 1 OF 1

NOTES:  
1. SCREW LOCK GLUE MUST BE ADDED ON ALL SCREW HEAD & NUT INSIDE THE UNIT.

REVISION HISTORY				
REV	DESCRIPTION	DATE	REVISED	APPROVED
A	DRAWING UPDATED	2012-08-01	CM ILAPAN	J.BALINGIT



2	F88-30060-30297	2	SC-M03*06-03-B-ZP-BLK[R]	
1	F94-30243-30000	2	MET-STUD24MM3TM3[R]	
ITEM	ITEM NUMBER	QTY	ITEM CODE	CONSTRUCTION NO.

MECHANICAL PARTS LIST

All information (including drawings and diagrams) contained in this document is the property of MUSIC GROUP LTD. Addressees whom the information is confided to shall maintain the information in confidence and shall not release it to any unauthorized third parties (except under attorney client privilege or under appropriate confidentiality agreements). Any unauthorized disclosure, use, application or any other dealings in the information shall result in civil and/or (where applicable) criminal liabilities and penalties.

	PROJECT:	MATTHEW	DESCRIPTION:	
	MATERIAL:	MATTHEW	PCB02 ASSEMBLY	
	APPROVED:	MATTHEW	SIZE:	DRAWING NUMBER:
	FINISH:	MATTHEW	A3	014-16022-29701
	DATE:	2/28/2002	SCALE N T S	
			SHEET	1 OF 1

NOTES:  
1. SCREW LOCK GLUE MUST BE ADDED ON ALL SCREW HEAD & NUT INSIDE THE UNIT.



We Hear You