

# HT-BE1/SA-WBE1/SS-BE1

## SERVICE MANUAL

Ver 1.2 2003. 08

US Model  
Canadian Model  
AEP Model  
UK Model  
E Model



The HT-BE1 system consists of one unit of SA-WBE1 and five units of SS-BE1.

SA-WBE1

SS-BE1

This system incorporates Dolby\* Digital and Pro Logic Surround and the DTS\*\* Digital Surround System.

- \* Manufactured under license from Dolby Laboratories. "Dolby," "Pro Logic," and the double-D symbol are trademarks of Dolby Laboratories. Confidential unpublished works. © 1992-1997 Dolby Laboratories. All rights reserved.
- \*\* Manufactured under license from Digital Theater Systems, Inc. US Pat. No. 5,451,942 and other worldwide patents issued and pending. "DTS" and "DTS Digital Surround" are trademarks of Digital Theater Systems, Inc. © 1996 Digital Theater Systems, Inc. All rights reserved.

### SPECIFICATIONS

#### AUDIO POWER SPECIFICATIONS

##### POWER OUTPUT AND TOTAL HARMONIC DISTORTION:

With 6 ohm loads, both channels driven, from 120 – 10,000 Hz; rated 19 watts per channel minimum RMS power, with no more than 10 % total harmonic distortion from 220 milliwatts to rated output.

#### SA-WBE1 (subwoofer)

Max. output	
Subwoofer:	30 W (6 ohms)
Front:	15 W + 15 W (6 ohms)
Center*:	15 W
Rear*:	15 W + 15 W

\* Depending on the sound field settings and the source, there may be no sound output.

Speaker system	Bass reflex type
Speaker unit	130 mm (5 1/8 inches) dia. cone type
Dimensions (approx.)	215 × 271 × 302 mm (8 1/2 × 10 3/4 × 12 inches) (w/h/d, not including the projecting parts)

Mass (approx.)	
US, CND model:	6.3 kg (13 lb 15 oz)
AEP, UK, SP, MY model:	6.4 kg (14 lb 2 oz)

#### SS-BE1 (satellite speakers)

Speaker system	Closed box type
Speaker unit	50 mm (2 inches) dia. cone type
Rated impedance	6 ohms
Dimensions (approx.)	61 × 82 × 65.5 mm (2 1/2 × 3 1/4 × 2 5/8 inches) (w/h/d)
Mass (approx.)	175 g (7 oz)

#### General

Power requirements	
US, CND, MX model:	120 V AC, 60 Hz
AEP, UK model:	230 V AC, 50/60 Hz
SP, MY model:	220-240 V AC, 50/60 Hz
Power consumption	
US model:	60 W
	1.0 W (at the Power Saving Mode)
CND, MX model:	75 W
	1.0 W (at the Power Saving Mode)
AEP, UK, SP, MY model:	45 W
	0.3 W (at the Power Saving Mode)
Operating temperature	5°C to 35°C (41°F to 95°F)
Operating humidity	5 % to 90 %
Supplied accessories	Speaker cords (3 m (10 ft) × 3, 8 m (26 ft) × 2) Optical digital cord (1) (US, CND, SP, MY model) Coaxial digital cord (1) (AEP, UK model) Remote commander (remote) RM-BE1 (1) Size AA (R6) batteries (2)

Design and specifications are subject to change without notice.

- Abbreviation  
CND : Canadian model  
SP : Singapore model  
MY : Malaysia model  
MX : Mexican model

## HOME THEATER SYSTEM

# SONY®

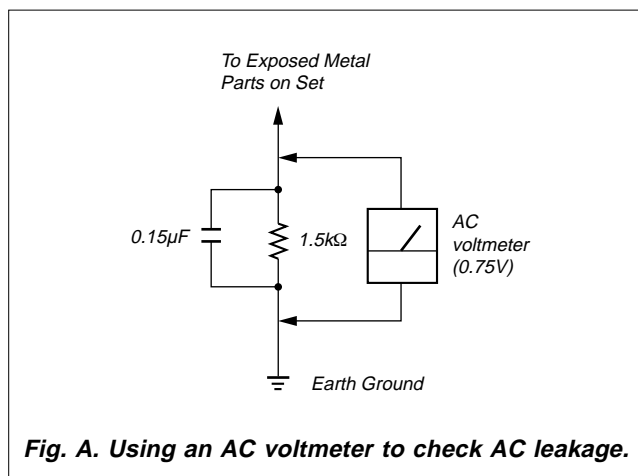
## SAFETY CHECK-OUT

After correcting the original service problem, perform the following safety check before releasing the set to the customer:  
Check the antenna terminals, metal trim, "metallized" knobs, screws, and all other exposed metal parts for AC leakage. Check leakage as described below.

## LEAKAGE TEST

The AC leakage from any exposed metal part to earth ground and from all exposed metal parts to any exposed metal part having a return to chassis, must not exceed 0.5 mA (500 microamperes). Leakage current can be measured by any one of three methods.

1. A commercial leakage tester, such as the Simpson 229 or RCA WT-540A. Follow the manufacturers' instructions to use these instruments.
2. A battery-operated AC milliammeter. The Data Precision 245 digital multimeter is suitable for this job.
3. Measuring the voltage drop across a resistor by means of a VOM or battery-operated AC voltmeter. The "limit" indication is 0.75 V, so analog meters must have an accurate low-voltage scale. The Simpson 250 and Sanwa SH-63Trd are examples of a passive VOM that is suitable. Nearly all battery operated digital multimeters that have a 2V AC range are suitable. (See Fig. A)



### SAFETY-RELATED COMPONENT WARNING!!

COMPONENTS IDENTIFIED BY MARK  $\triangle$  OR DOTTED LINE WITH MARK  $\triangle$  ON THE SCHEMATIC DIAGRAMS AND IN THE PARTS LIST ARE CRITICAL TO SAFE OPERATION. REPLACE THESE COMPONENTS WITH SONY PARTS WHOSE PART NUMBERS APPEAR AS SHOWN IN THIS MANUAL OR IN SUPPLEMENTS PUBLISHED BY SONY.

### ATTENTION AU COMPOSANT AYANT RAPPORT À LA SÉCURITÉ!!

LES COMPOSANTS IDENTIFIÉS PAR UNE MARQUE  $\triangle$  SUR LES DIAGRAMMES SCHÉMATIQUES ET LA LISTE DES PIÈCES SONT CRITIQUES POUR LA SÉCURITÉ DE FONCTIONNEMENT. NE REMPLACER CES COMPOSANTS QUE PAR DES PIÈCES SONY DONT LES NUMÉROS SONT DONNÉS DANS CE MANUEL OU DANS LES SUPPLÉMENTS PUBLIÉS PAR SONY.

## TABLE OF CONTENTS

### 1. SERVICING NOTE

1-1. Extension Cable and Service Position .....	3
---	---

### 2. GENERAL

Index to Parts and Controls .....	4
-----------------------------------	---

### 3. DISASSEMBLY

3-1. Top Chassis Assy .....	5
3-2. Display Board, Key Board .....	6
3-3. Rear Panel Assy .....	6
3-4. Main Board .....	7

### 4. DIAGRAMS

4-1. IC Pin Descriptions .....	8
4-2. Block Diagram –Main Section– .....	12
4-3. Block Diagram –Power Section– .....	13
4-4. Printed Wiring Board –Jack Section– .....	14
4-5. Schematic Diagram –Jack/Main (5/1) Section– .....	15
4-6. Printed Wiring Board –Main Section– .....	16
4-7. Schematic Diagram –Main (2/5) Section– .....	18
4-8. Schematic Diagram –Main (3/5) Section– .....	19
4-9. Schematic Diagram –Main (4/5) Section– .....	20
4-10. Schematic Diagram –Main (5/5) Section– .....	21
4-11. Schematic Diagram –Display/Key Section– .....	22
4-12. Printed Wiring Board –Display Section– .....	23
4-13. Printed Wiring Board –Key Section– .....	24
4-14. IC Block Diagrams .....	25

### 5. EXPLODED VIEWS

5-1. Main Section (SA-WBE1) .....	28
5-2. Main Board Section (SA-WBE1) .....	29

### 6. ELECTRICAL PARTS LIST .....

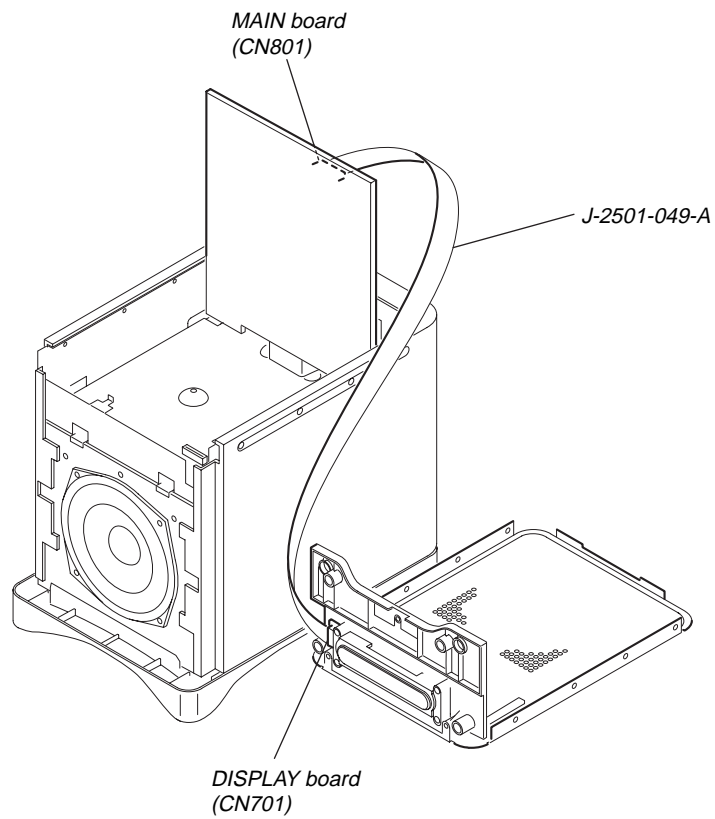
## SECTION 1

### SERVICING NOTE

#### 1-1. EXTENSION CABLE AND SERVICE POSITION

When repairing or servicing this set, connecting the jig (extension cable) as shown below.

- Connect the MAIN board (CN801) and the DISPLAY board (CN701) with the extension cable (Part No. J-2501-049-A).

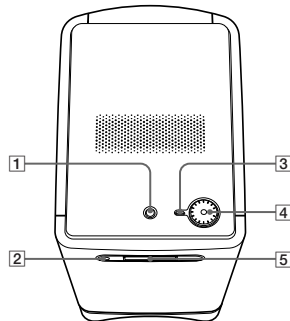


This section is extracted from instruction manual.

**Index to Parts and Controls**

Refer to the pages indicated in parentheses for details.

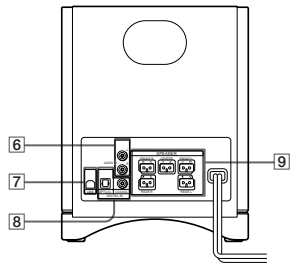
**Subwoofer**



**Top panel/Front panel**

- 1 I/⏻ (POWER) switch and indicator (15, 23)  
Turns on and off the power of the system.
- 2 remote sensor (5, 25)  
Accepts the remote control signals.
- 3 MENU/ENTER (15, 16, 17, 19, 20, 23)  
Displays the menu on the display window. To execute the settings, press this button again.
- 4 VOL/SELECT knob (15, 16, 17, 19, 20, 23)  
Adjust the volume and select settings.
- 5 Display window (13, 15, 17)  
Indicates the speaker setting, input signal, sound field mode, etc.

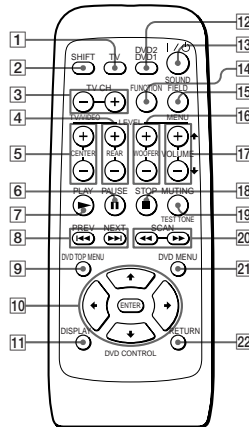
Additional Information



**Rear panel**

- 6 AUDIO IN L/R jacks (11)  
Connect to the audio output of a TV, VCR, etc.
- 7 USB jack (11)  
Connect to the PC.
- 8 DIGITAL IN OPTICAL/COAXIAL jacks (10)  
Connect to the DIGITAL OUT (OPTICAL) jack of the DVD player, etc.
- 9 SPEAKER jacks (7)  
Connect to the supplied satellite speakers.

**Remote**

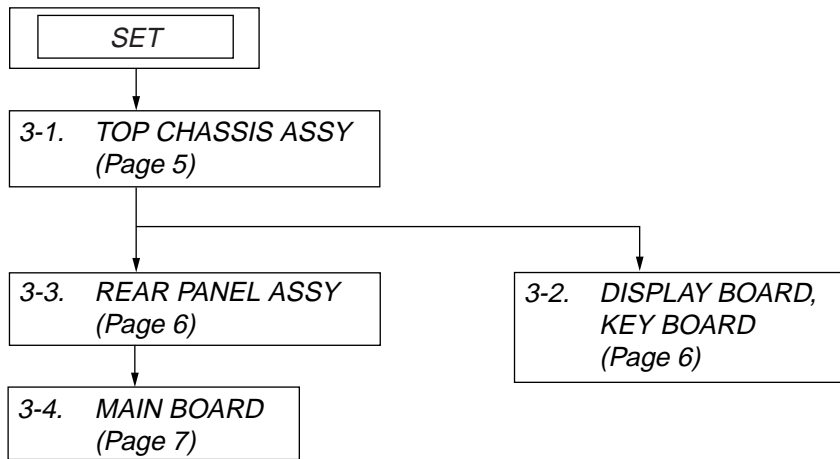


- 1 TV button (22)  
Turns the TV on and off.
- 2 SHIFT button (13, 16, 19, 20, 22, 23)  
Switches the function of the buttons on the remote.
- 3 TV CH +/- (TV/VIDEO) buttons (22)  
Changes the TV channel.  
To change the TV input, press - while pressing SHIFT.
- 4 REAR +/- buttons (16)  
Adjust the rear speakers volume.
- 5 CENTER +/- buttons (16)  
Adjust the center speaker volume.
- 6 PAUSE button (21)  
Pauses playing a disc.
- 7 PLAY button (21)  
Plays a disc.
- 8 PREV/NEXT buttons (21)  
Press to go to the next chapter or track, or to go back to the previous chapter or track.
- 9 DVD TOP MENU button (21)  
Displays the title menu on the TV screen.
- 10 ENTER button (21)  
Selects and executes the items or settings.
- 11 DISPLAY button (21)  
Displays the setup display of the DVD player.
- 12 DVD 1/DVD 2 button (21)  
Turns on and off the power of the DVD player.
- 13 I/⏻ (POWER) switch (13, 15)  
Turns on and off the system.
- 14 FUNCTION button (15)  
Selects the input signal.
- 15 SOUND FIELD (MENU) button (13, 17, 19, 20, 23)  
Selects the sound field mode.  
Pressing this button while pressing SHIFT will select the menu.
- 16 WOOFER +/- buttons (16)  
Adjust the subwoofer volume.
- 17 VOLUME +/- buttons (13, 15, 19, 20, 23)  
Make the speaker settings or adjust the volume of the system.  
Pressing this button while pressing SHIFT will set the speaker setup parameters.
- 18 STOP button (21)  
Stops playing a disc.
- 19 MUTING (TEST TONE) button (15, 16)  
Mutes the sound.  
Pressing this button while pressing SHIFT will sound the test tone.
- 20 (SCAN) buttons (21)  
Locate a point while monitoring the picture.
- 21 DVD MENU button (21)  
Displays the DVD menu on the TV screen.
- 22 RETURN button (21)  
Returns to the previously selected screen.

continued  
27GB

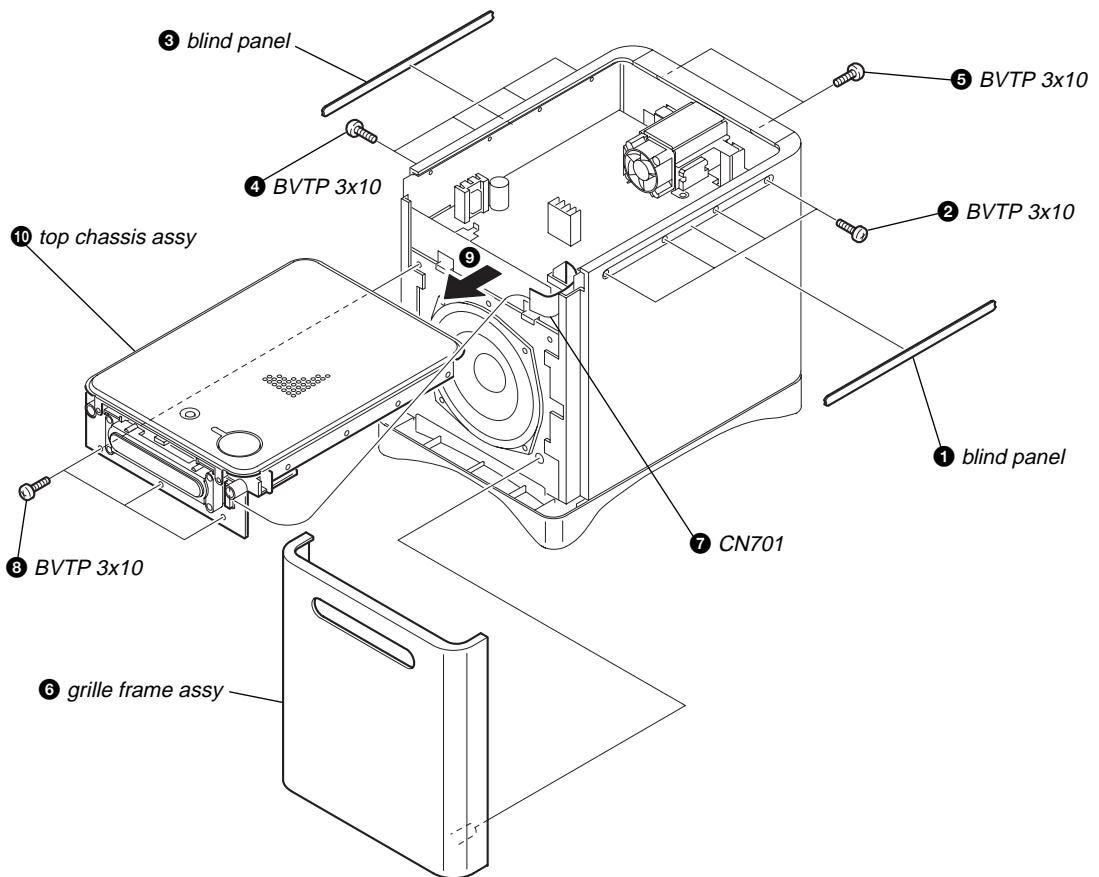
## SECTION 3 DISASSEMBLY

- The equipment can be removed using the following procedure.

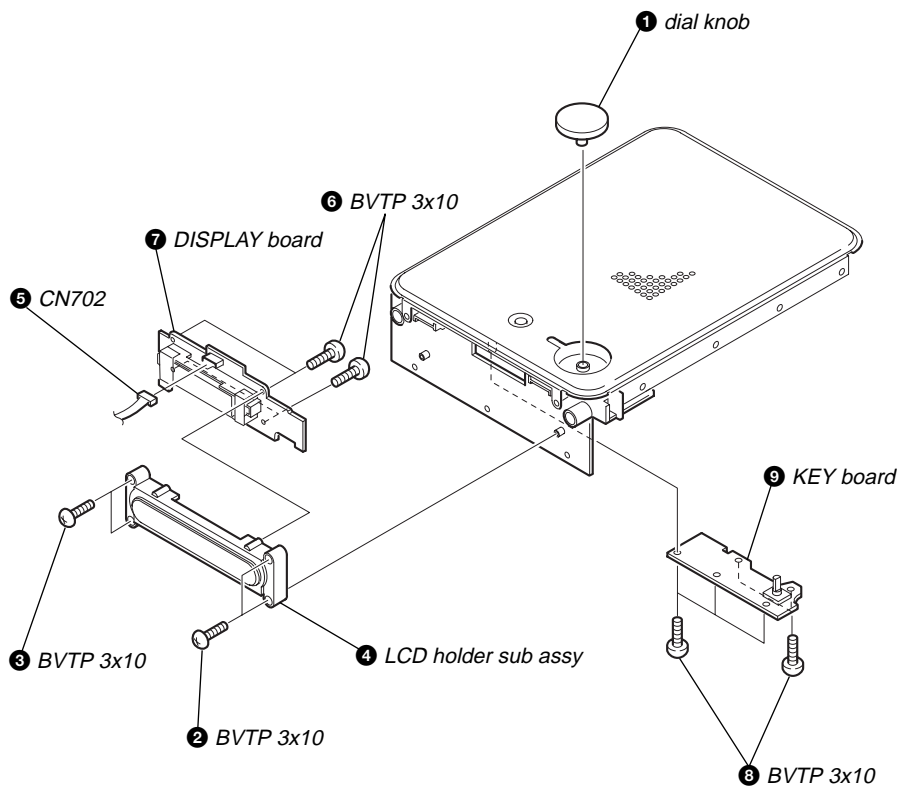


**Note :** Follow the disassembly procedure in the numerical order given.

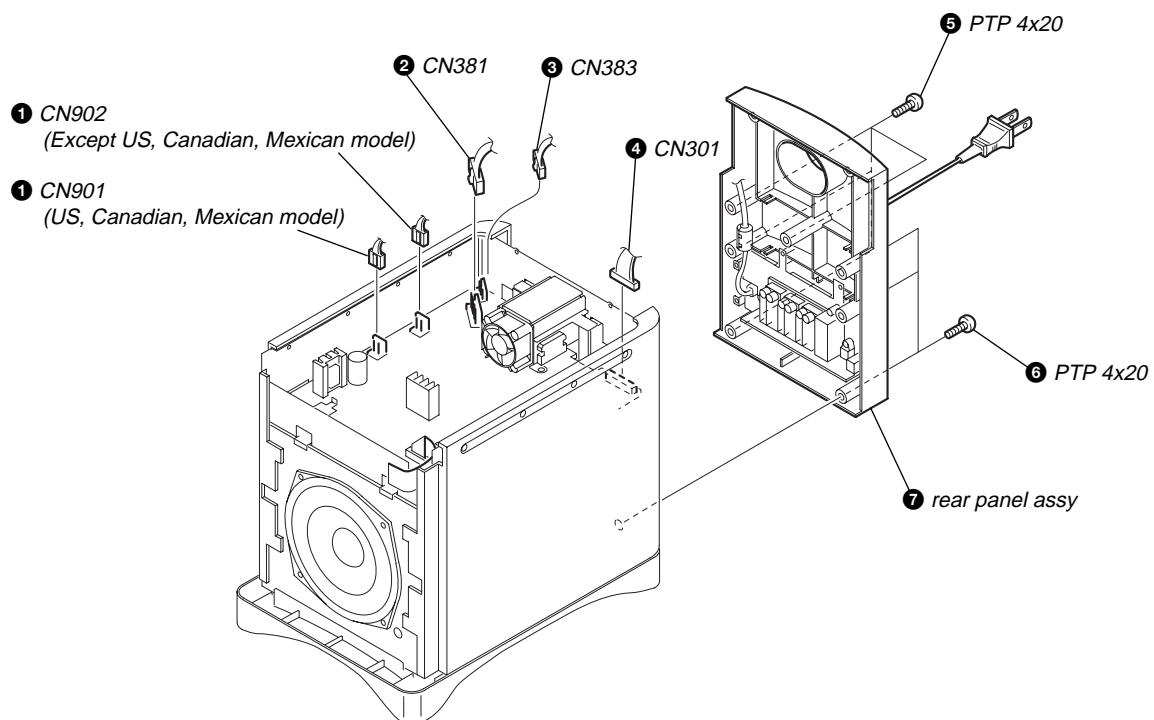
### 3-1. TOP CHASSIS ASSY



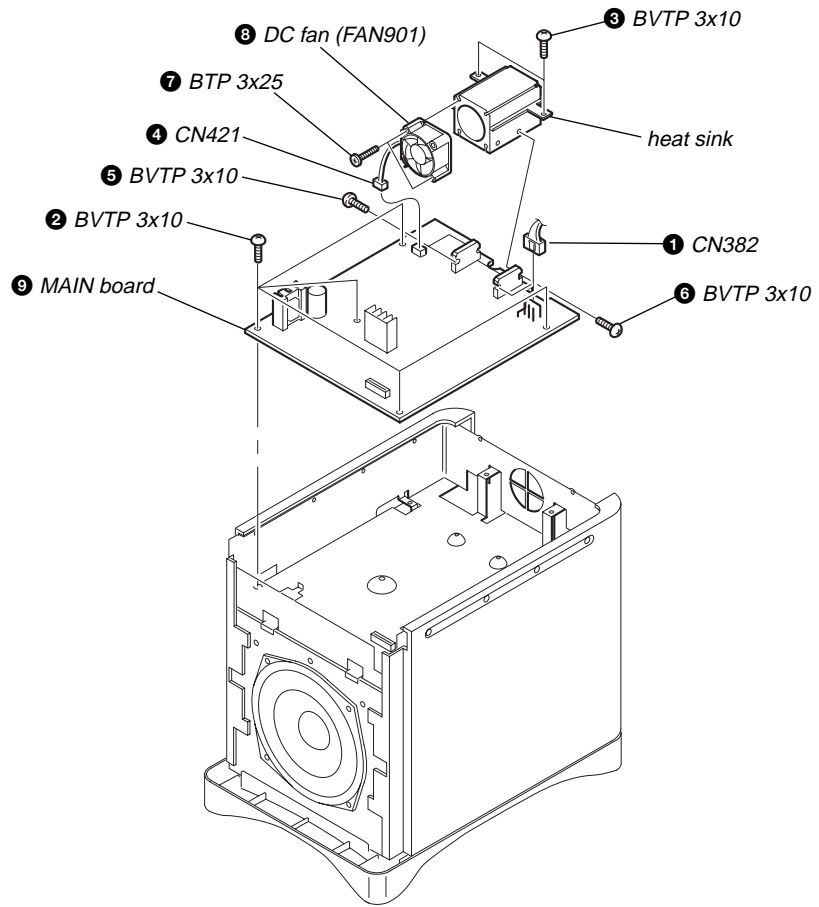
3-2. DISPLAY BOARD, KEY BOARD



3-3. REAR PANEL ASSY



3-4. MAIN BOARD



## SECTION 4 DIAGRAMS

### 4-1. IC PIN DESCRIPTIONS

#### • IC801 $\mu$ PD703033A (SYSTEM CONTROLLER)

Pin No.	Pin Name	I/O	Pin Description
1	LRSY	I	CD L/R clock input
1	CO-DI	O	Data output for MAC.
2	CO-CLK	O	Clock output for MAC.
3	U L/OTHER H	I	Destination setting input (L: US, Canadian, Mexican model, H: Except US, Canadian, Mexican model)
4	USB L/OTHER H	I	USB setting input (Fixed at L)
5	NC	—	Not used. (Open)
6	DSP-DO	O	Serial data output for DSP.
7	DIG-DI	I	Serial data input from DSP.
8	DIG-CLK	O	Clock output for DSP.
9	EVDD	—	Power supply pin (+3.3 V)
10	EVSS	—	Ground
11	DSP-RST	O	Reset signal output for DSP. (L: active)
12	DSP-PM	O	PLL initialization output for DSP.
13	DSP-CS	O	Chip select output for DSP.
14	DSP-HACN	I	Acknowledge signal input from DSP.
15	DSP-BST	O	Boot stop signal output for DSP.
16	DSP-GP9	I	Decode signal input from DSP.
17	DSP-PLOCK	I	Internal PLL lock signal input from DSP.
18	DIR-ERR	I	PLL lock signal input from DIR.
19	DIR-CE	O	Chip enable signal output for DIR.
20	DIR-XST	I	Reset signal input from DIR.
21	VPP	—	Programming power supply pin
22	DIR-AD	O	Serial data output for DIR.
23	DIR-XMODE	I	System reset signal input from DIR.
24	DIRDO	I	Serial data input from DIR.
25, 26	NC	—	Not used. (Open)
27	MUTE-FL,FR	O	Amplifier mute (FL, FR) output
28	MUTE-SL,SR,C	O	Amplifier mute (SL, SR, C) output
29	MUTE-SW	O	Amplifier mute (SW) output
30 to 33	NC	—	Not used. (Open)
34	RESET	I	$\mu$ -com reset signal input
35	XT1	I	Not used. (Fixed at L)
36	XT2	O	Not used. (Open)
37	NC	—	Not used. (Connected to capacitor)
38	X2	O	Main clock signal output (16 MHz)
39	X1	I	Main clock signal input (16 MHz)
40	VSS	—	Ground
41	VDD	—	Power supply pin (+5 V)
42, 43	NC	—	Not used. (Open)
44	AMP-MUTE	O	Amplifier mute output
45	NC	—	Not used. (Open)
46	P-CONT	I	Power control signal input
47 to 50	NC	—	Not used. (Open)
51	DISC	I	Not used. (Fixed at L)
52	NC	—	Not used. (Open)
53	LCD-CLK	O	Clock output for LCD driver.
54	LCD-DATA	O	Serial data output for LCD driver.
55	LCD-CS	O	Chip select output for LCD driver.
56	LCD-C/D	O	Latch output for LCD driver.
57	LED-CLR	—	Not used. (Open)



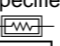
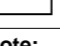
Pin No.	Pin Name	I/O	Pin Description
58	BVDD	—	Power supply pin (+3.3 V)
59	BVSS	—	Ground
60, 61	NC	—	Not used. (Open)
62	READY-H	O	Power supply (ready) output
63	$\overline{\text{USB-PLYSCK}}$	I	USB play/idle decision input
64 to 66	NC	—	Not used. (Open)
67	USB-H	O	USB/analog select output
68	VOL-STB	O	Latch output for volume control.
69	VOL-CLK	O	Clock output output for volume control.
70	VOL-DATA	O	Data output for volume control.
71	NC	—	Not used. (Open)
72	READY-H	O	Ready LED ON/OFF control output (ready mode: red LED light on)
73	NC	—	Not used. (Open)
74	AVDD	—	Analog power supply pin (+5 V)
75	AVSS	—	Analog ground
76	AVREF	—	Analog reference voltage pin (+5 V)
77 to 80	NC	—	Not used. (Fixed at H)
81	AUDIO DEC	I	Auto power ON/OFF level check input
82	KEY1	I	Key AD value input
83	ENA	I	Encoder A input
84	ENB	I	Encoder B input
85	DIGITAL DEC	I	Level decision input from DIR.
86 to 88	NC	—	Not used. (Fixed at H)
89	NC	—	Not used. (Open)
90	STOP	I	Stop mode check signal input
91	SIRCS	I	SIRCS signal input
92	RDS-DATA	I	Not used. (Open)
93	P-WAKE	I	Interruption signal input from STOP mode.
94 to 96	NC	—	Not used. (Open)
97	IN	I	$\mu$ -com programming serial in input
98	CO-S/MUTE	O	Soft mute control output for MAC.
99	$\overline{\text{CO-PD}}$	O	Soft reset control output for MAC
100	$\overline{\text{CO-CS}}$	O	Chip select output for MAC.

## • IC802 CXD9617R (DSP)




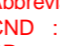
Pin No.	Pin Name	I/O	Pin Description
1	VSS	—	Ground
2	XRST	I	Reset signal input from system controller.
3	EXTIN	I	Not used. (Connected to ground)
4	FS2	I	Not used. (Connected to ground)
5	VDDI	I	Power supply pin (+2.4 V)
6	FS1	I	Not used. (Connected to ground)
7	PLOCK	O	Internal PLL lock signal output for system controller.
8	VSS	—	Ground
9	MCLK1	I	Clock signal input (13.5 MHz)
10	VDDI	I	Power supply pin (+2.4 V)
11	VSS	—	Ground
12	MCLK2	O	Clock signal output (13.5 MHz)
13	MS	I	Switching signal input of master/slave operation. (Fixed at L : internal clock)
14	SCKOUT	O	Internal system clock signal output
15	LRCKI1	I	Not used. (open)
16	VDDE	I	Power supply pin (+3.3 V)
17	BCKI1	I	Not used. (open)
18	SDI1	I	Audio IF data input
19	LRCKO	O	Sampling clock output for digital audio serial data
20	BCKO	O	Bit clock output for digital audio serial data
21	VSS	—	Ground
22	KFSIO	I/O	Audio clock signal (384fs/256fs) input/output
23 to 25	SDO1 to SDO3	O	Digital audio serial data output
26	SDO4	O	Audio IF serial output (Not used. (open))
27	SPDIF	O	Not used. (open)
28	LRCKI2	I	Sampling clock input from audio serial data.
29	BCKI2	I	Bit clock input from audio serial data.
30	SDI2	I	Digital audio data input
31	VSS	—	Ground
32	HACN	O	Acknowledge signal output for system controller.
33	HDIN	I	Serial data input from system controller.
34	HCLK	I	Clock input from system controller.
35	HDOUT	O	Serial data output for system controller.
36	HCS	I	Chip select input from system controller.
37	SDCLK	O	Not used. (open)
38	CLKEN	O	Not used. (open)
39	RAS	O	Not used. (open)
40	VDDI	I	Power supply pin (+2.4 V)
41	VSS	—	Ground
42	CAS	O	Not used. (open)
43	DQM/OE0	O	Not used. (open)
44	CS0	O	External memory chip select output (SRAM) (Not used. (open))
45	WE0	O	SRAM write enable output (Not used. (open))
46	VDDE	I	Power supply pin (+3.3 V)
47	WMD1	I	Not used. (Fixed at L)
48	VSS	—	Ground
49	WMD0	I	Not used. (Fixed at L)
50	PAGE2	O	Not used. (open)
51	VSS	—	Ground
52	PAGE1	O	External memory page switching signal output (Not used. (open))
53	PAGE0	O	External memory page switching signal output (Not used. (open))
54	BOOT	I	Not used. (open)

Pin No.	Pin Name	I/O	Pin Description
55	BTACT	O	Not used. (open)
56	BST	I	Boot stop signal input from system controller.
57	MOD1	I	Operation mode signal input (Fixed at H : 256fs)
58	MOD0	I	Operation mode signal input (Fixed at L : single chip mode)
59	EXLOCK	I	Lock signal input
60	VDDI	I	Power supply pin (+2.4 V)
61	VSS	—	Ground
62 to 66	A17 to A13	O	External memory address output (SRAM) (Not used. (open))
67	GP10	O	Connected to LRCKO
68	GP9	O	Decode signal output for system controller.
69	GP8	I	Audio signal input from DIR.
70	VDDI	I	Power supply pin (+2.4 V)
71	VSS	—	Ground
72 to 75	D15/GP7 to D12/GP4	I/O	External memory data input/output (general port) (Not used. (open))
76	VDDE	I	Power supply pin (+3.3 V)
77 to 80	D11/GP3 to D8/GP0	I/O	External memory data input/output (general port) (Not used. (open))
81	VSS	—	Ground
82	A9	O	External memory address output (SRAM) (Not used. (open))
83 to 85	A12 to A10	O	External memory address output (SRAM) (Not used. (open))
86	TDO	O	Not used. (open)
87	TMS	I	Not used. (open)
88	XTRST	I	Not used. (open)
89	TCK	I	Not used. (open)
90	TDI	I	Not used. (open)
91	VSS	—	Ground
92 to 97	A8 to A3	O	External memory address output (SRAM) (Not used. (open))
98, 99	D7, D6	I/O	External memory data input/output (SRAM) (Not used. (open))
100	VDDI	I	Power supply pin (+2.4 V)
101	VSS	—	Ground
102 to 105	D5 to D2	I/O	External memory data input/output (SRAM) (Not used. (open))
106	VDDE	I	Power supply pin (+3.3 V)
107, 108	D1, D0	I/O	External memory data input/output (SRAM) (Not used. (open))
109, 110	A2, A1	O	External memory address output (SRAM) (Not used. (open))
111	VSS	—	Ground
112	A0	O	External memory address output (SRAM) (Not used. (open))
113	PM	I	PLL initialization input from system controller.
114, 115	SDI3, SDI4	I	Not used. (open)
116	SYNC	I	Sync/async selection input (Fixed at H : async)
117 to 119	VSS	—	Ground
120	VDDI	I	Power supply pin (+2.4 V)


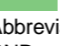
**Note on Schematic Diagram:**

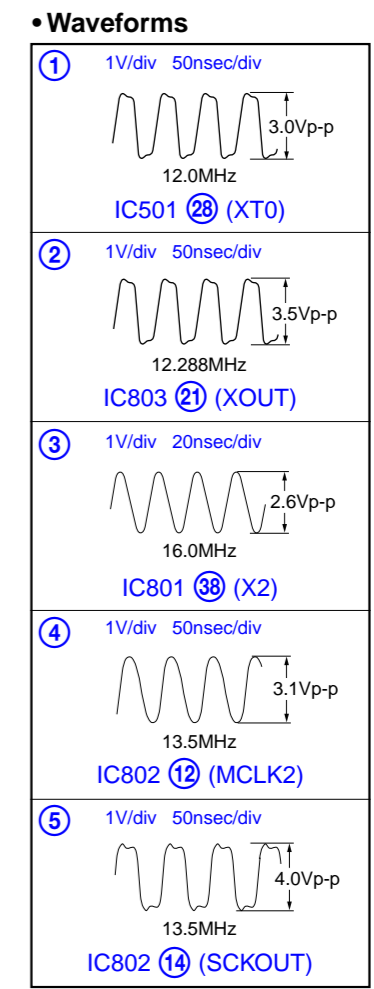
- All capacitors are in  $\mu\text{F}$  unless otherwise noted.  $\text{pF}$ :  $\mu\text{F}$  50 WV or less are not indicated except for electrolytics and tantalums.
- All resistors are in  $\Omega$  and  $1/4\text{ W}$  or less unless otherwise specified.
-  : nonflammable resistor.
-  : panel designation.

<p><b>Note:</b></p> <p>The components identified by mark <math>\Delta</math> or dotted line with mark <math>\Delta</math> are critical for safety. Replace only with part number specified.</p>	<p><b>Note:</b></p> <p>Les composants identifiés par une marque <math>\Delta</math> sont critiques pour la sécurité. Ne les remplacer que par une pièce portant le numéro spécifié.</p>
---	---

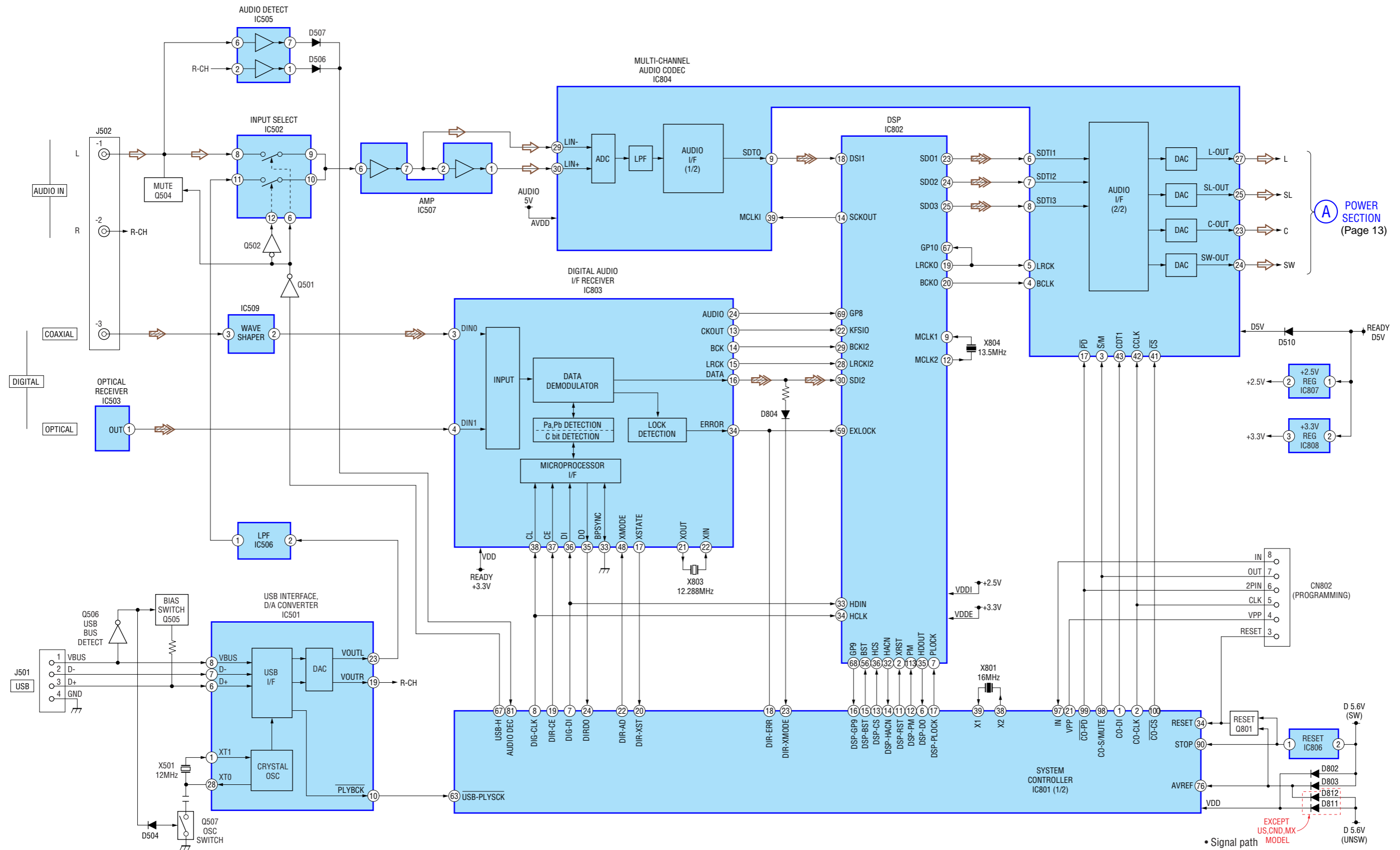
-  : B+ Line.
- Voltage is dc with respect to ground under no-signal (detuned) condition.
- Voltages are taken with a VOM (Input impedance 10 M $\Omega$ ). Voltage variations may be noted due to normal production tolerances.
- Signal path.
  -  : LINE
  -  : DIGITAL AUDIO (OPTICAL)
  -  : DIGITAL AUDIO (COAXIAL)
- Abbreviation
  - CND : Canadian model.
  - SP : Singapore model.
  - MY : Malaysia model.
  - MX : Mexican model.

**Note on Printed Wiring Boards:**

-  : parts extracted from the component side.
-  : Pattern from the side which enables seeing.
- Abbreviation
  - CND : Canadian model.
  - SP : Singapore model.
  - MY : Malaysia model.
  - MX : Mexican model.



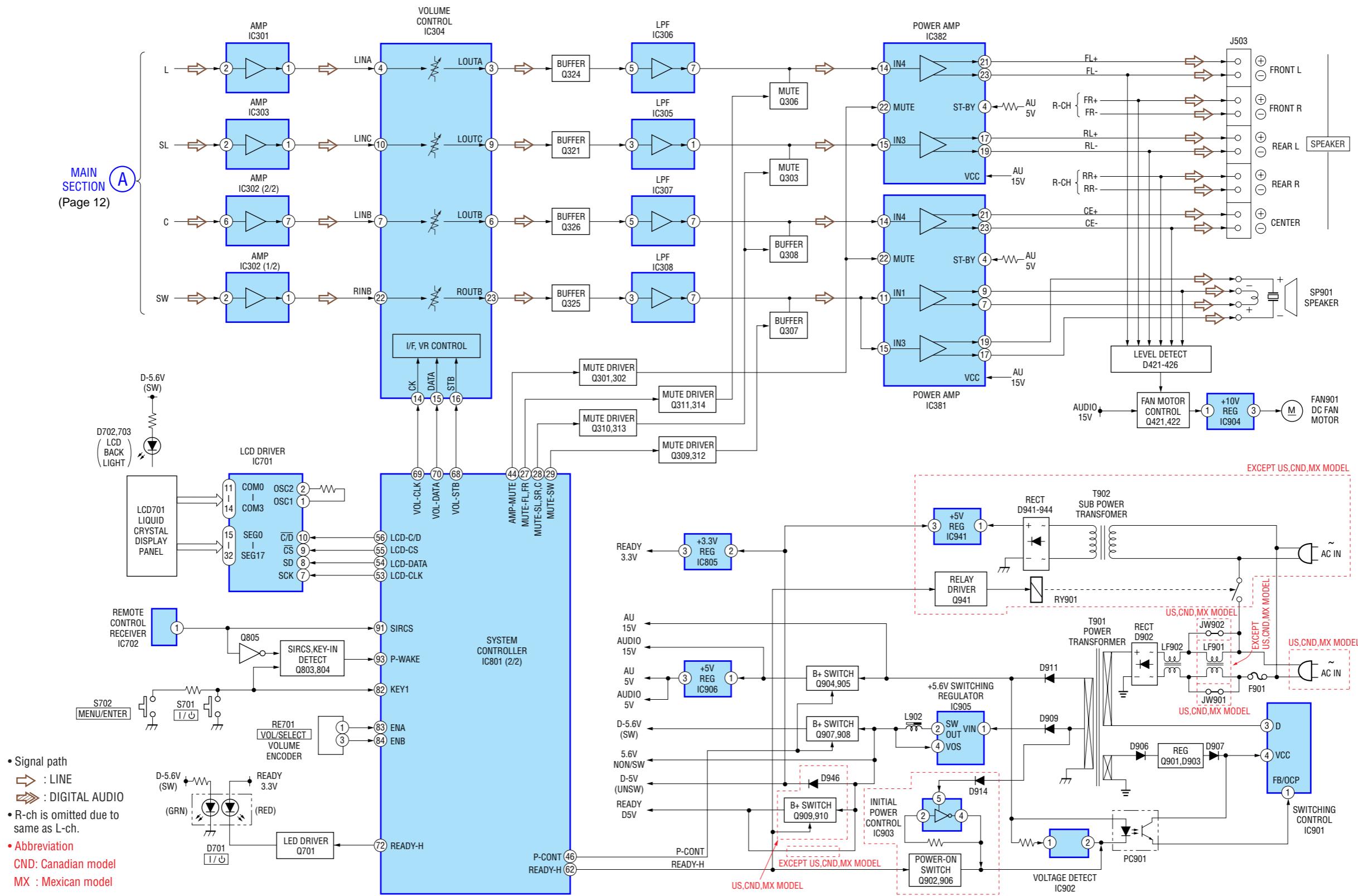
4-2. BLOCK DIAGRAM — MAIN SECTION —



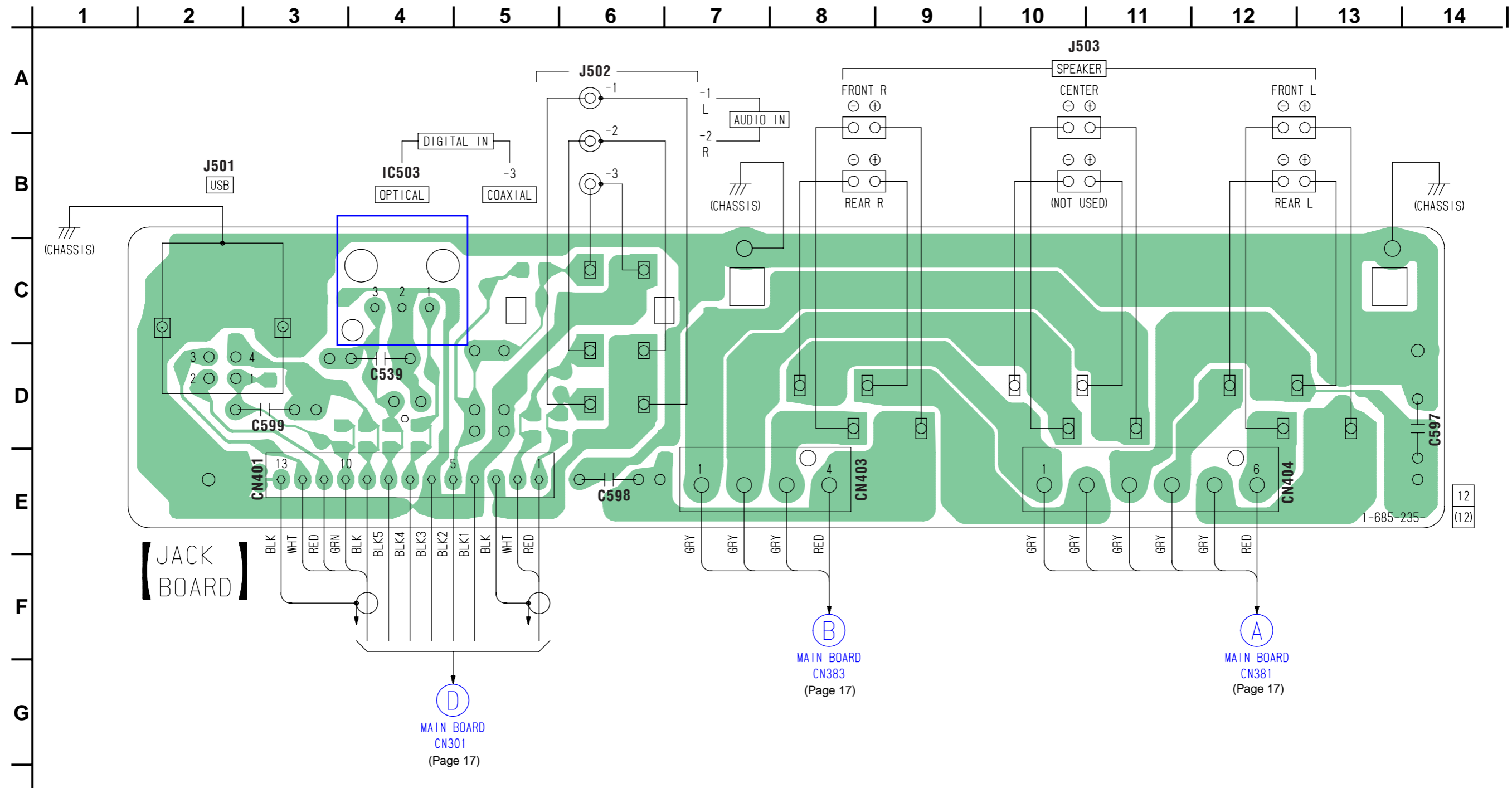
**A** POWER SECTION  
(Page 13)

- Signal path
  - ➡ : LINE
  - ➡ : DIGITAL AUDIO (COAXIAL)
  - ➡ : DIGITAL AUDIO (OPTICAL)
- R-ch is omitted due to same as L-ch.
- Abbreviation
  - CND : Canadian model
  - MX : Mexican model

4-3. BLOCK DIAGRAM — POWER SECTION —



4-4. PRINTED WIRING BOARD — JACK SECTION — • Refer to page 11 for Note on Printed Wiring Boards.







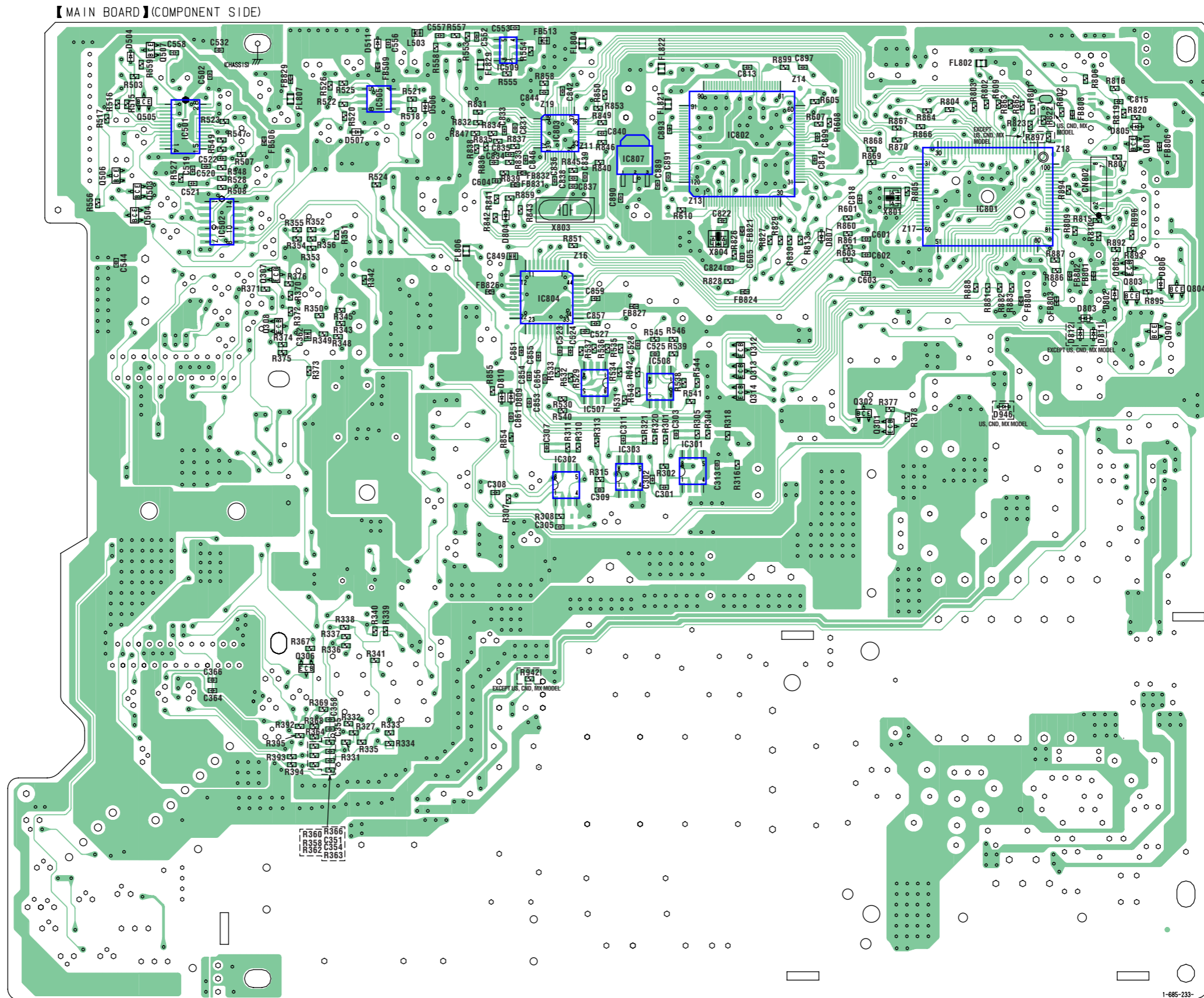
4-6. PRINTED WIRING BOARD — MAIN SECTION — • Refer to page 11 for Note on Printed Wiring Boards.

13 | 12 | 11 | 10 | 9 | 8 | 7 | 6 | 5 | 4 | 3 | 2 | 1

• Semiconductor Location (Component side)

Ref. No.	Location
D504	A-11
D506	B-8
D507	B-9
D511	A-9
D802	C-2
D803	C-2
D804	C-8
D805	B-2
D806	C-2
D807	C-5
D809	D-8
D810	D-8
(D811)	D-2
(D812)	D-3
<D946>	D-3
IC301	E-6
IC302	E-7
IC303	E-7
IC501	B-11
IC502	C-10
IC505	B-9
IC507	D-7
IC508	D-7
IC509	A-8
IC801	C-3
IC802	B-6
IC803	B-7
IC804	C-7
IC807	B-7
Q301	D-4
Q302	D-4
Q306	G-9
Q307	C-10
Q308	D-10
Q311	
Q312	D-6
Q313	D-6
Q314	D-6
Q503	B-11
Q504	C-11
Q505	B-11
Q506	B-11
Q507	A-11
Q801	B-2
Q803	C-2
Q804	C-2
Q805	C-2
Q907	D-2

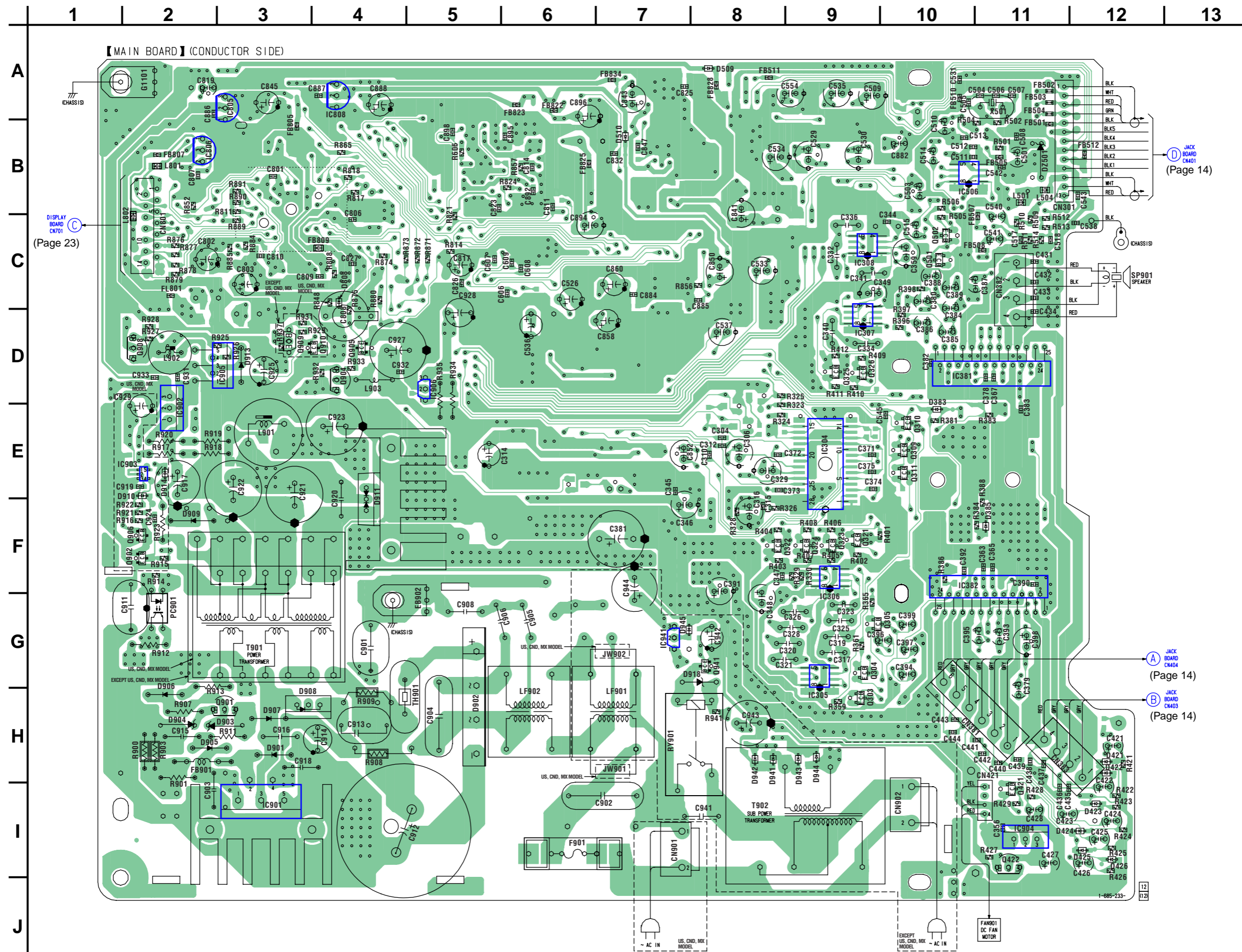
( ) : Except US, Canadian, Mexican model  
 < > : US, Canadian, Mexican model





• Refer to page 11 for Note on Printed Wiring Boards.

• Semiconductor Location (Conductor side)

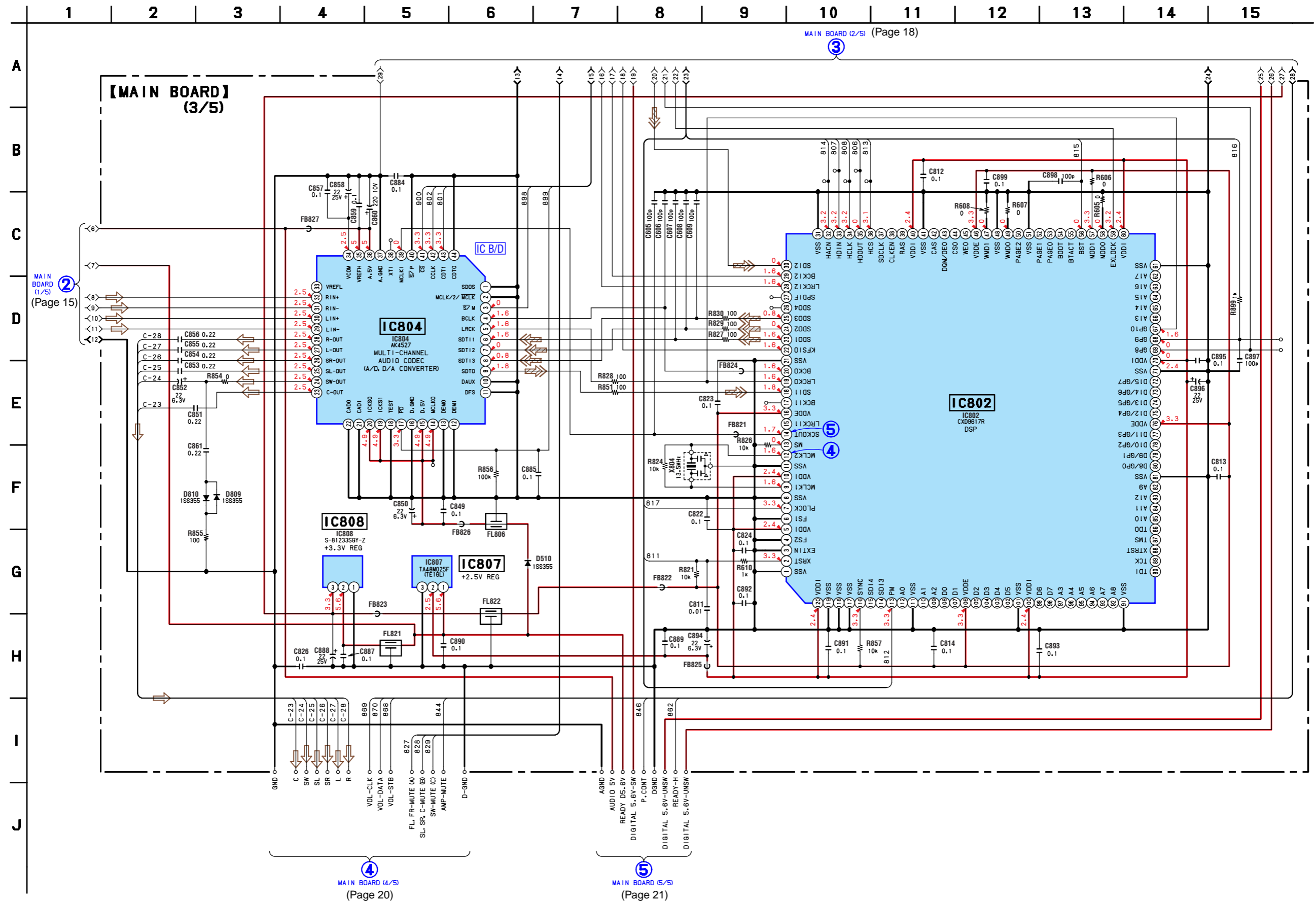


Ref. No.	Location
D383	E-10
D385	F-11
D421	H-12
D422	H-12
D423	I-12
D424	I-12
D425	I-12
D426	I-12
D509	A-8
D510	B-7
D808	C-4
D901	H-3
D902	H-5
D903	H-3
D904	H-2
D905	H-2
D906	H-2
D907	H-3
D908	H-3
D909	F-2
<D910>	E-2
D911	E-4
D913	D-3
<D914>	E-2
(D918)	G-8
(D941)	H-8
(D942)	H-8
(D943)	H-9
(D944)	H-9
(D945)	G-7
DZ501	B-11
IC304	E-9
IC305	G-9
IC306	F-9
IC307	D-9
IC308	C-9
IC381	D-10
IC382	F-10
IC506	B-10
IC805	A-3
IC806	B-2
IC808	A-4
IC901	I-3
IC902	E-2
<IC903>	E-2
IC904	I-11
IC905	D-3
IC906	D-5
(IC941)	G-7
PC901	G-2
Q303	H-9
Q304	G-9
Q305	G-10
Q309	E-10
Q310	E-10
Q321	F-9
Q322	F-9
Q323	F-9
Q324	F-9
Q325	D-9
Q326	D-9
Q421	I-11
Q422	I-11
Q501	C-10
Q502	C-10
Q901	H-3
(Q902)	F-2
Q904	D-4
Q905	D-4
(Q906)	F-2
Q908	D-2
(Q909)	D-3
(Q910)	D-4
<Q941>	G-8

< > : US, Canadian, Mexican model  
 ( ) : Except US, Canadian, Mexican model

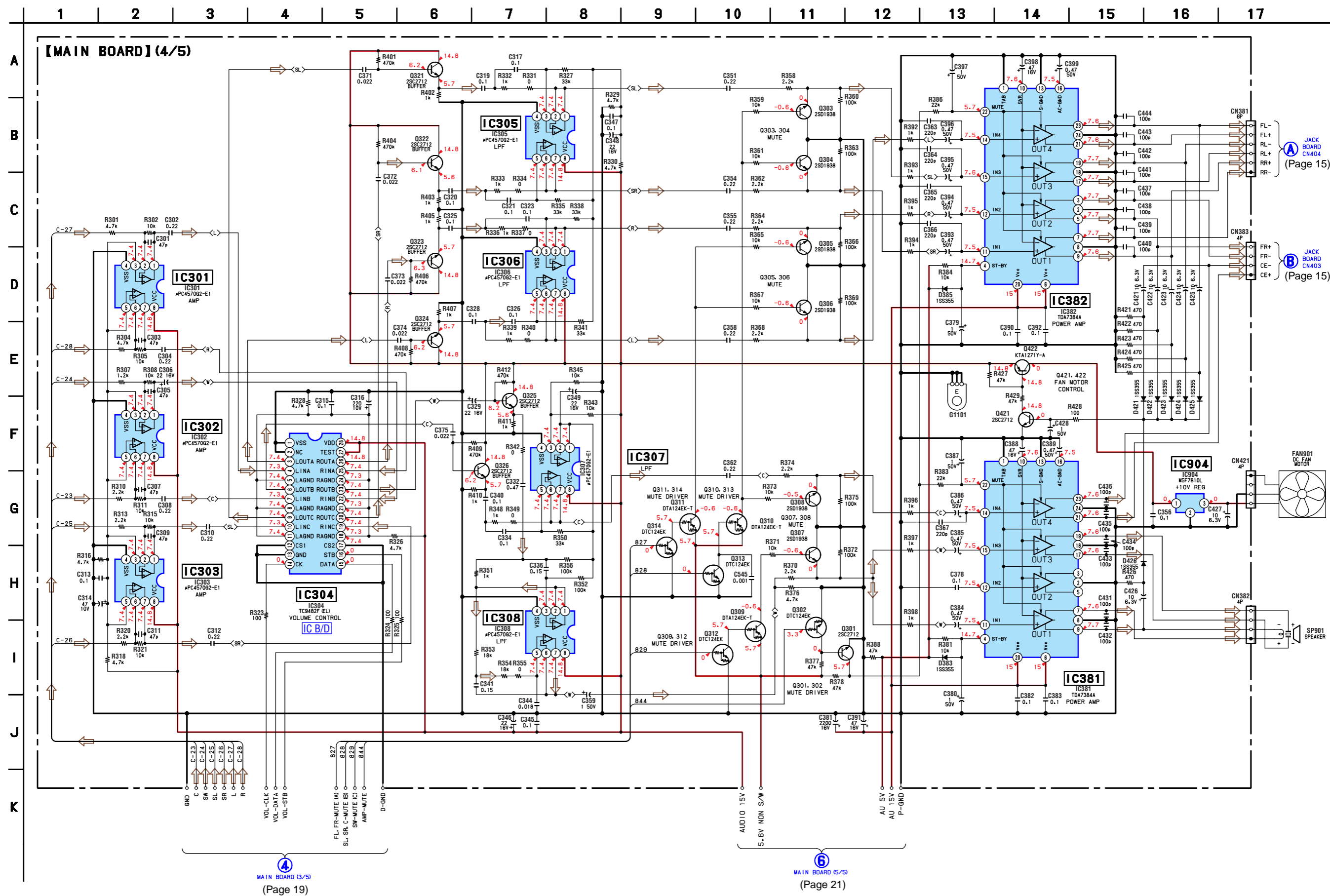


4-8. SCHEMATIC DIAGRAM — MAIN (3/5) SECTION — • Refer to page 11 for Note on Schematic Diagram and Waveforms, and page 26 for IC Block Diagrams.





4-9. SCHEMATIC DIAGRAM — MAIN (4/5) SECTION — • Refer to page 11 for Note on Schematic Diagram, and page 26 for IC Block Diagrams.

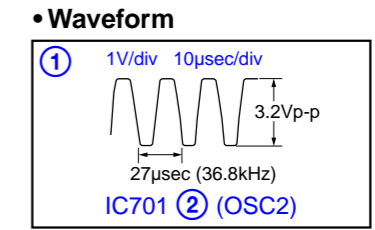
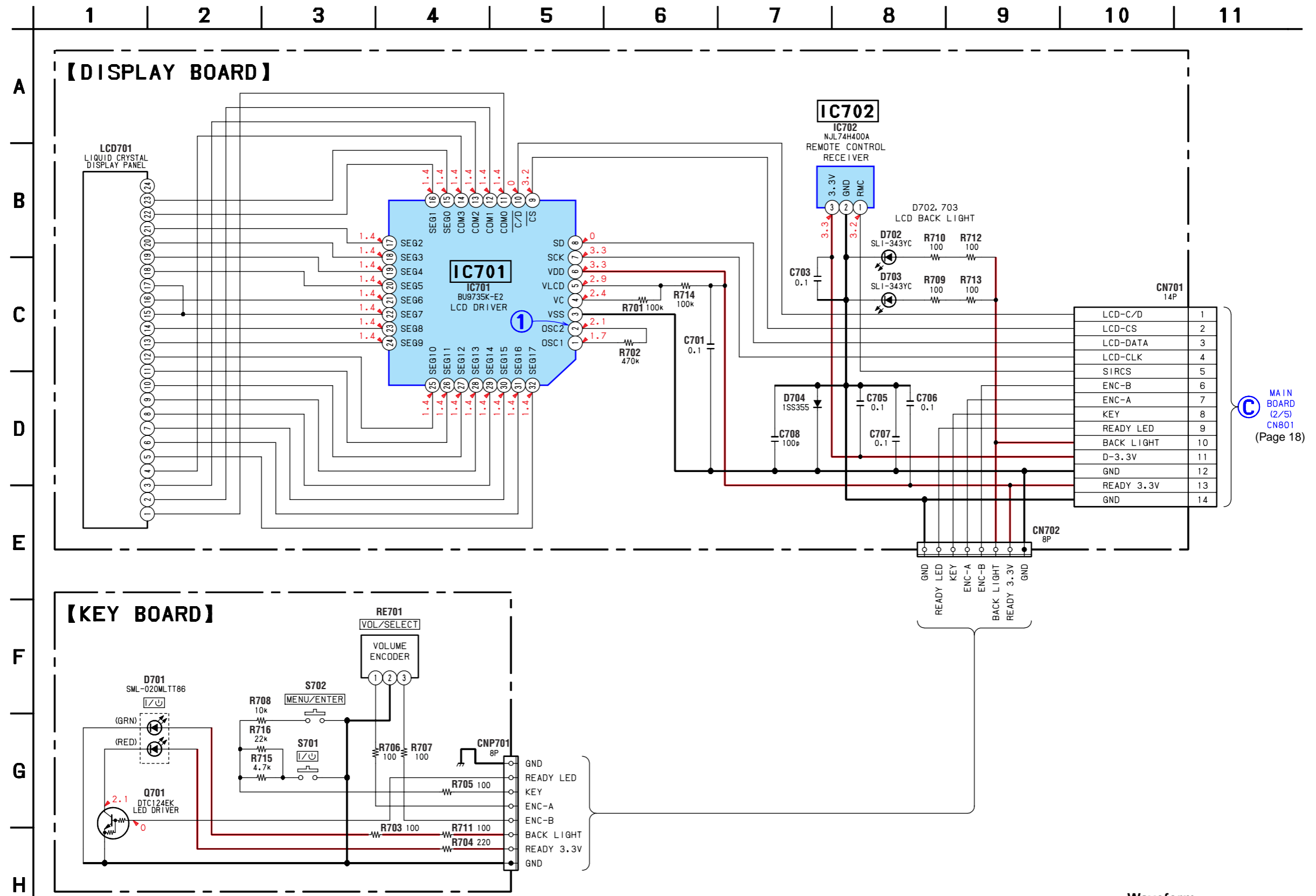


MAIN BOARD (3/5)  
(Page 19)

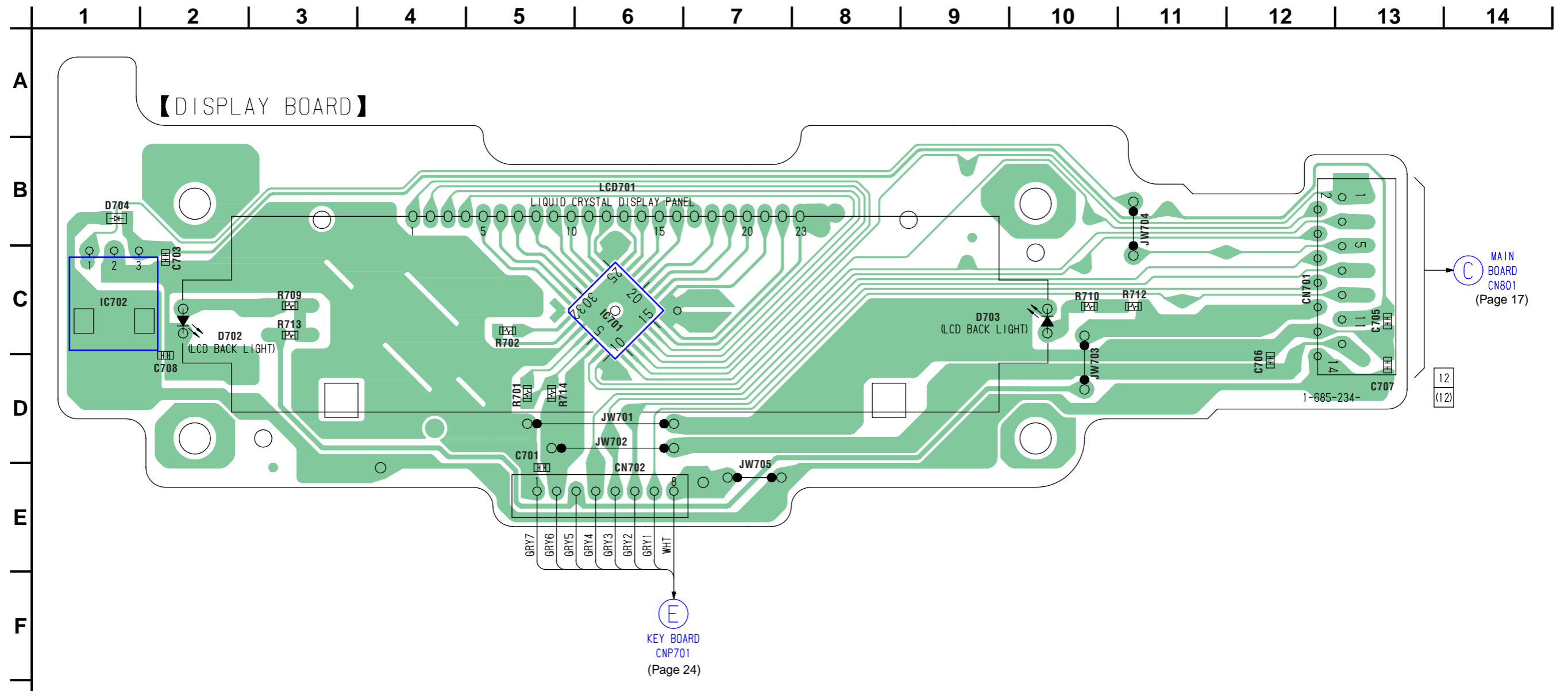
MAIN BOARD (5/5)  
(Page 21)



4-11. SCHEMATIC DIAGRAM — DISPLAY/KEY SECTION — • Refer to page 11 for Note on Schematic Diagram.



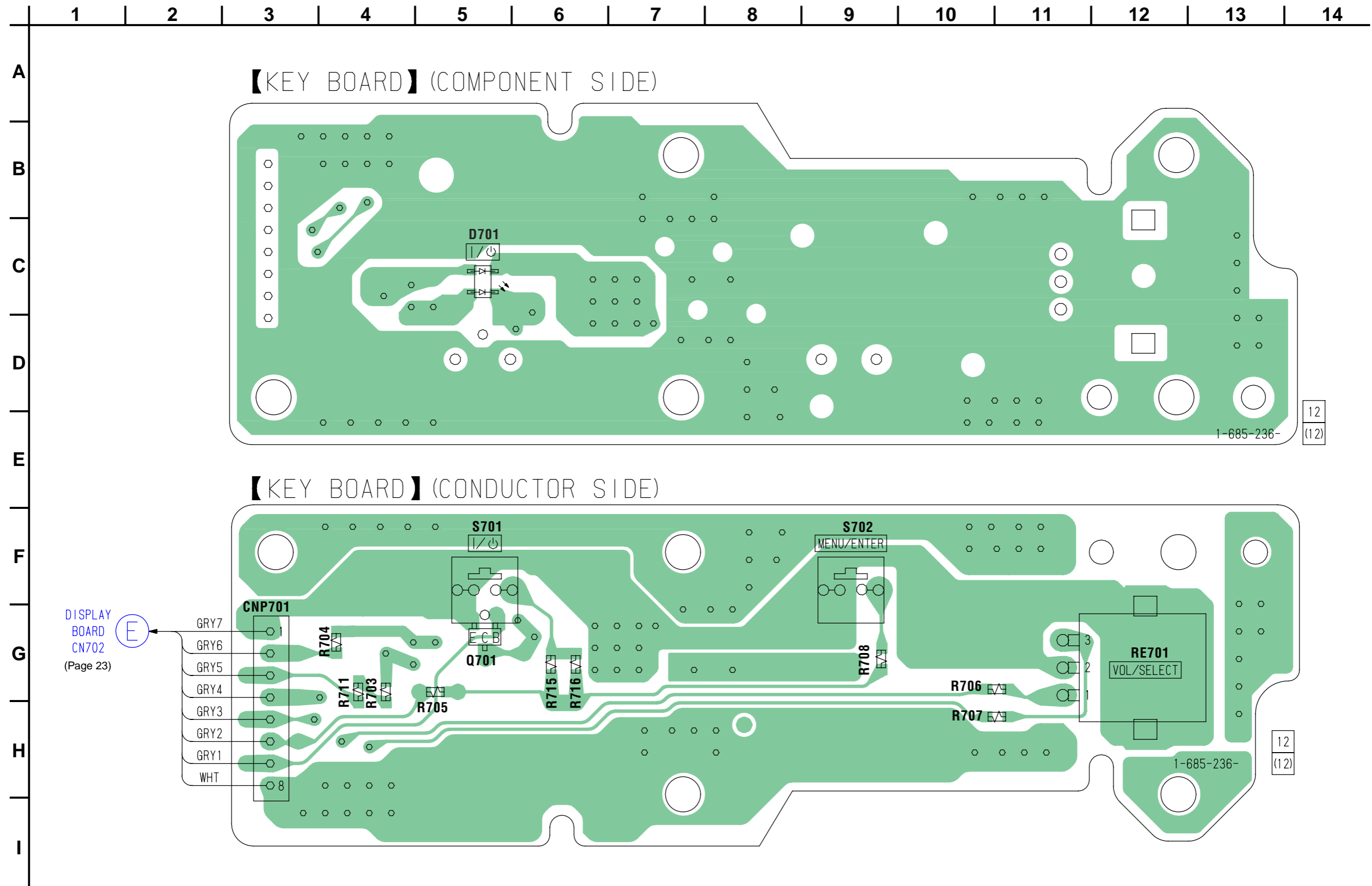
4-12. PRINTED WIRING BOARD — DISPLAY SECTION — • Refer to page 11 for Note on Printed Wiring Boards.



• Semiconductor Location

Ref. No.	Location
D702	C-2
D703	C-10
D704	B-1
IC701	C-6
IC702	C-1

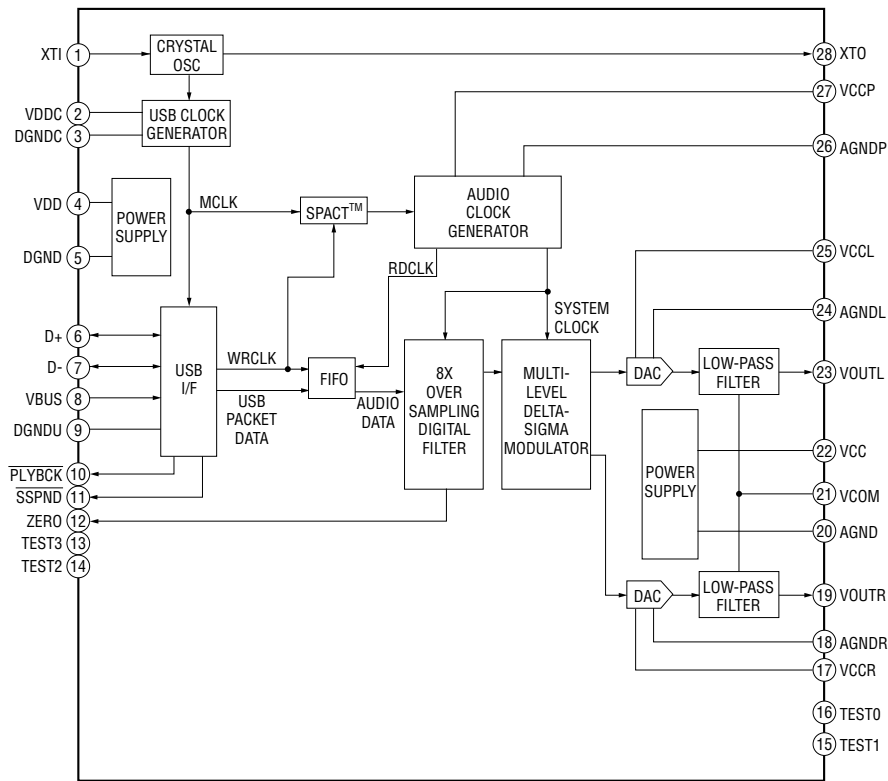
4-13. PRINTED WIRING BOARD — KEY SECTION — • Refer to page 11 for Note on Printed Wiring Boards.



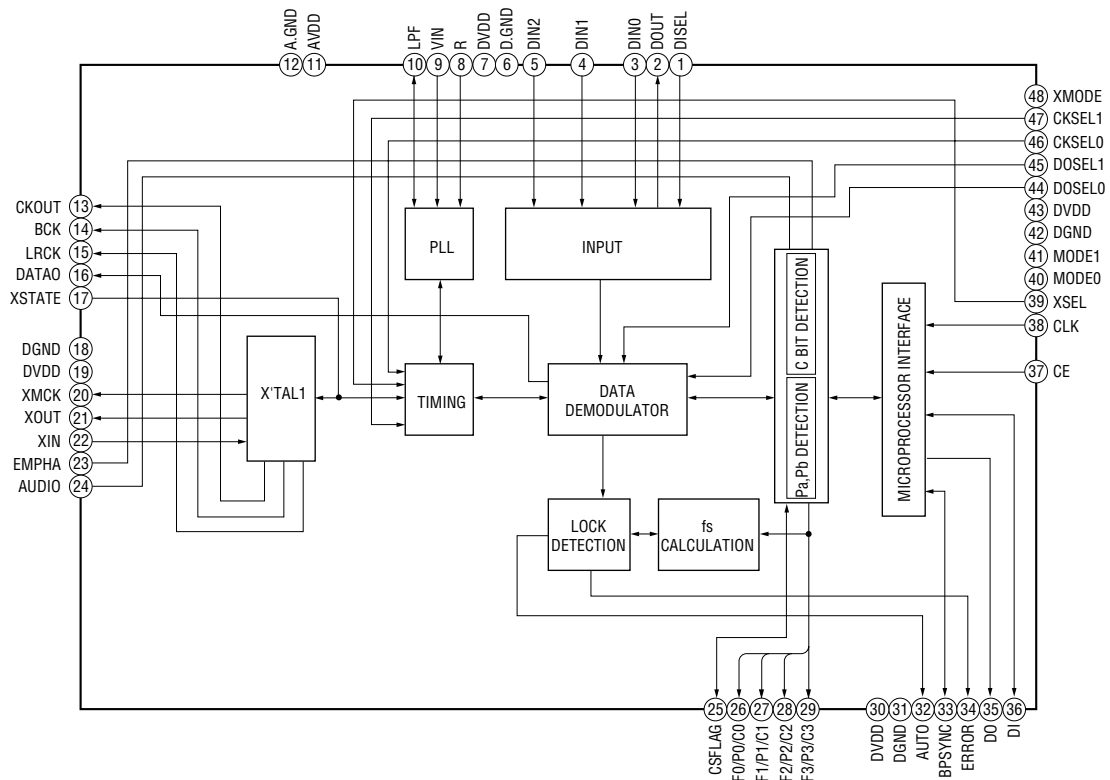


4-14. IC BLOCK DIAGRAMS

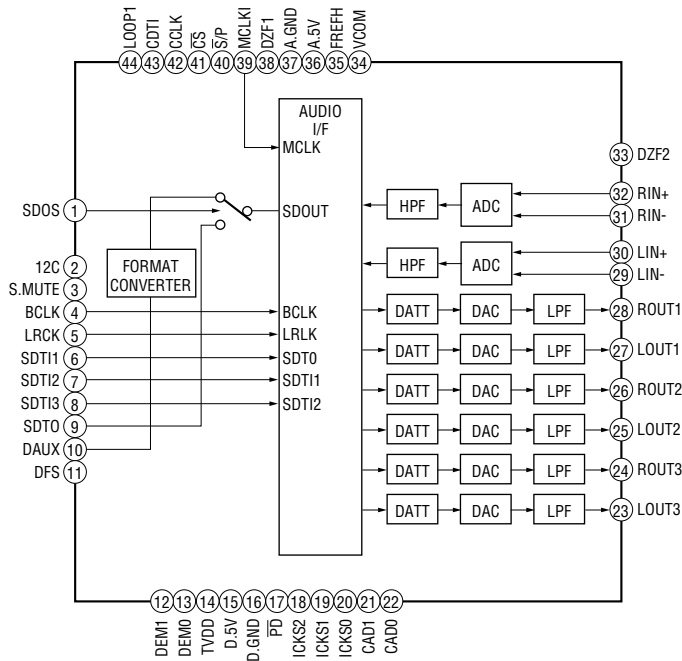
IC501 PCM2702E/2K



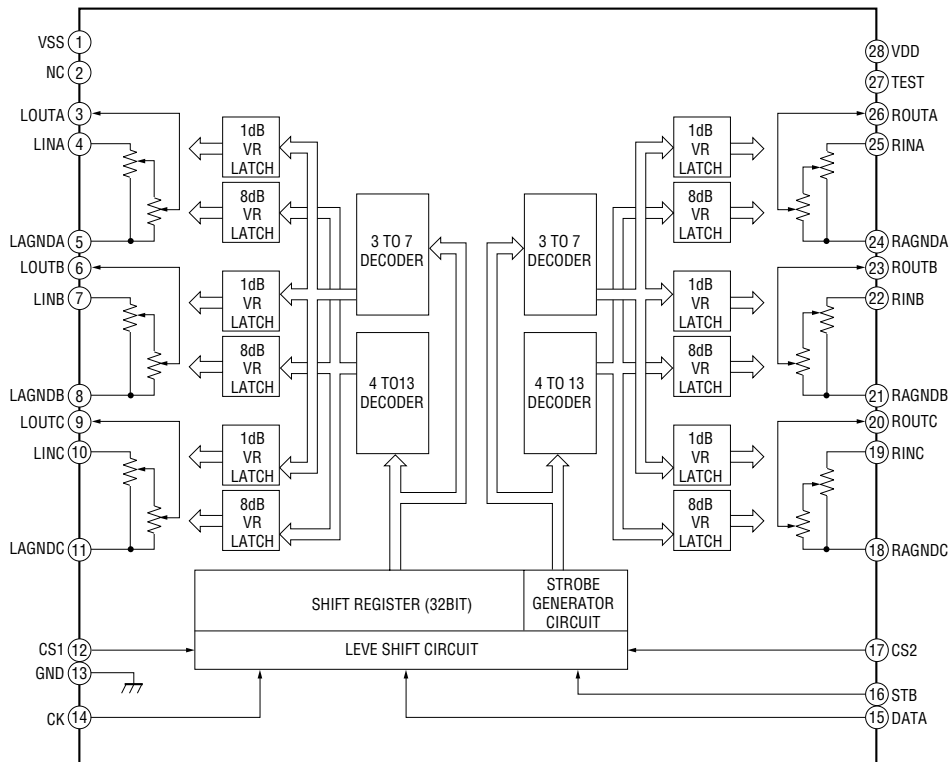
IC803 LC89056W-E



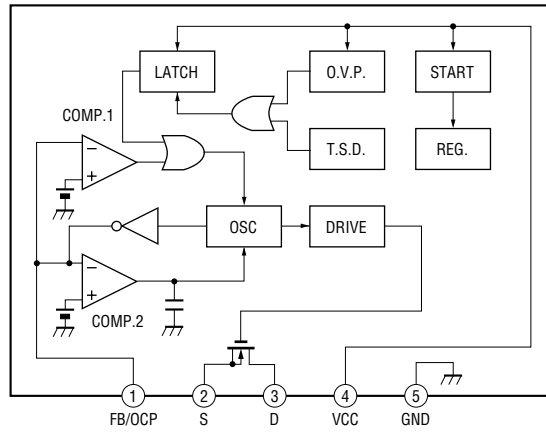
IC804 AK4527



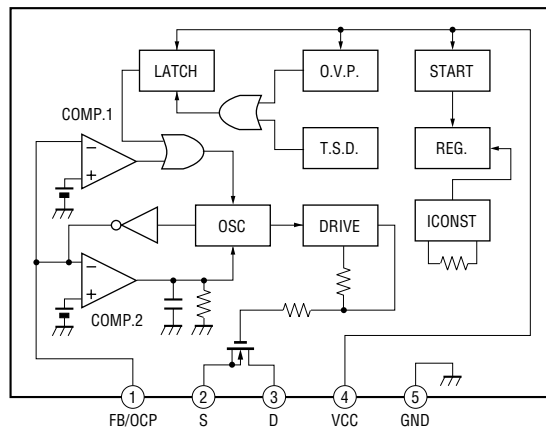
IC304 TC9482F(EL)



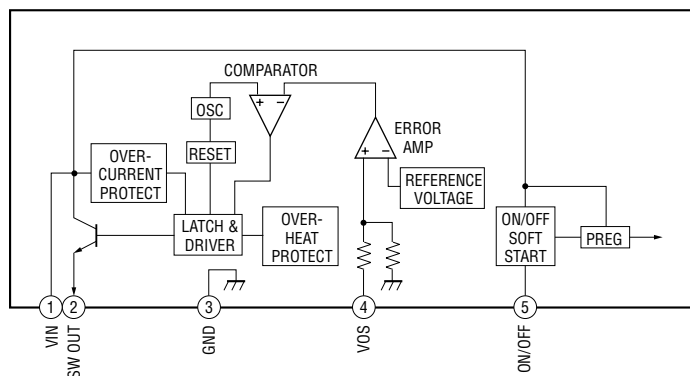
**IC901 STR-F6424 (US, Canadian model)**



**IC901 STR-F6676 (Except US, Canadian model)**

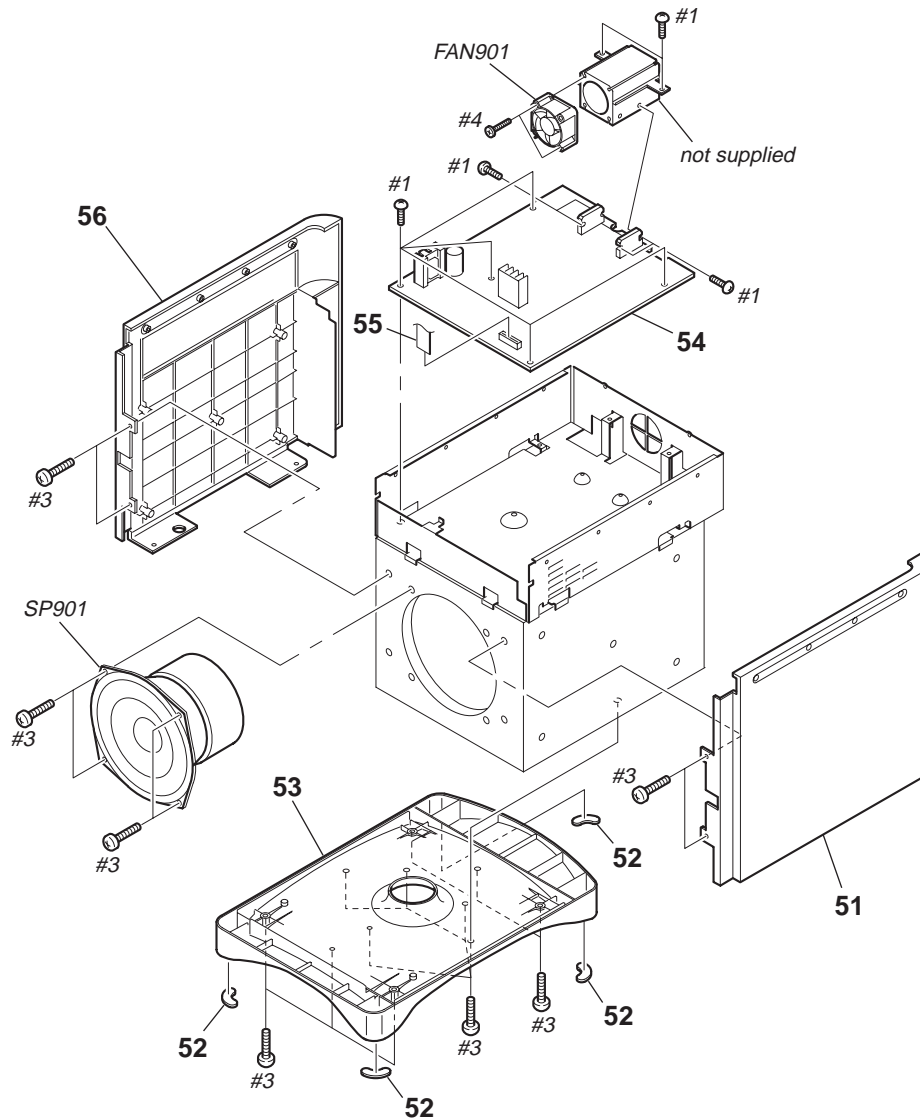


**IC905 SI-8050JF**





5-2. MAIN BOARD SECTION  
(SA-WBE1)



Ref. No.	Part No.	Description	Remark	Ref. No.	Part No.	Description	Remark
51	4-239-472-01	PANEL, SIDE (R) (EXCEPT US)		55	1-827-365-11	FLEXIBLE FLAT CABLE (14 CORE)	
51	4-239-472-11	PANEL, SIDE (R) (US)		56	4-239-473-01	PANEL, SIDE (L) (EXCEPT US)	
52	4-240-628-01	FOOT		56	4-239-473-11	PANEL, SIDE (L) (US)	
53	4-239-465-01	BOTTOM (EXCEPT US)		FAN901	1-763-561-22	FAN, D.C.	
53	4-239-465-11	BOTTOM (US)		SP901	1-825-144-11	SPEAKER (13cm)	
54	A-4728-813-A	MAIN BOARD, COMPLETE (US)		#1	7-685-647-79	SCREW +P 3X10 TYPE2 NON-SLIT	
54	A-4728-814-A	MAIN BOARD, COMPLETE (CND,MX)		#3	7-685-664-79	SCREW +PTP 4X20 TYPE1	
54	A-4728-816-A	MAIN BOARD, COMPLETE (AEP,UK)		#4	7-685-152-19	SCREW +BTP 3X25 TYPE2 N-S	
54	A-4728-853-A	MAIN BOARD, COMPLETE (SP,MY)					

DISPLAY

JACK

KEY

SECTION 6  
ELECTRICAL PARTS LIST

NOTE:

- Due to standardization, replacements in the parts list may be different from the parts specified in the diagrams or the components used on the set.
- -XX and -X mean standardized parts, so they may have some difference from the original one.
- RESISTORS  
All resistors are in ohms.  
METAL: Metal-film resistor.  
METAL OXIDE: Metal oxide-film resistor.  
F: nonflammable
- Abbreviation  
CND : Canadian model  
SP : Singapore model  
MY : Malaysia model  
MX : Mexican model

- Items marked "\*" are not stocked since they are seldom required for routine service. Some delay should be anticipated when ordering these items.
- SEMICONDUCTORS  
In each case, u :  $\mu$ , for example:  
uA.. :  $\mu$ A.. uPA.. :  $\mu$ PA..  
uPB.. :  $\mu$ PB.. uPC.. :  $\mu$ PC.. uPD.. :  $\mu$ PD..
- CAPACITORS  
uF :  $\mu$ F
- COILS  
uH :  $\mu$ H

The components identified by mark  $\Delta$  or dotted line with mark  $\Delta$  are critical for safety. Replace only with part number specified.

Les composants identifiés par une marque  $\Delta$  sont critiques pour la sécurité. Ne les remplacer que par une pièce portant le numéro spécifié.

When indicating parts by reference number, please include the board.

Ref. No.	Part No.	Description	Remark	Ref. No.	Part No.	Description	Remark
	1-685-234-12	DISPLAY BOARD *****		C599	1-164-159-21	CERAMIC 0.1uF 50V	
		< CAPACITOR >				< IC >	
C701	1-164-360-11	CERAMIC CHIP 0.1uF	16V	IC503	8-749-923-05	IC TORX178B (DIGITAL IN OPTICAL)	
C703	1-164-360-11	CERAMIC CHIP 0.1uF	16V			< CONNECTOR >	
C705	1-164-360-11	CERAMIC CHIP 0.1uF	16V	J501	1-815-194-11	CONNECTOR, USB (B) (USB)	
C706	1-164-360-11	CERAMIC CHIP 0.1uF	16V			< JACK >	
C707	1-164-360-11	CERAMIC CHIP 0.1uF	16V	J502	1-816-609-11	JACK, PIN 3P (AUDIO IN, DIGITAL IN COAXIAL)	
C708	1-162-927-11	CERAMIC CHIP 100PF 5%	50V			< TERMINAL BOARD >	
		< CONNECTOR >		J503	1-694-656-11	TERMINAL BOARD (6CH) (SPEAKER)	
CN701	1-784-736-11	CONNECTOR, FFC 14P				*****	
CN702	1-568-935-11	PIN, CONNECTOR 8P			1-685-236-12	KEY BOARD *****	
		< DIODE >				< CONNECTOR >	
D702	6-500-076-01	LED SLI-343YC (LCD BACK LIGHT)		CNP701	1-775-377-61	LEAD (WITH CONNECTOR) 8P	
D703	6-500-076-01	LED SLI-343YC (LCD BACK LIGHT)				< DIODE >	
D704	8-719-988-61	DIODE 1SS355TE-17		D701	8-719-067-82	LED SML-020MLTT86 (I/C)	
		< IC >				< TRANSISTOR >	
IC701	8-759-573-02	IC BU9735K-E2		Q701	8-729-027-52	TRANSISTOR DTC124EKA-T146	
IC702	8-759-826-34	IC NJL74H400A				< RESISTOR >	
		< LIQUID CRYSTAL DISPLAY >		R701	1-216-809-11	METAL CHIP 100 5% 1/10W	
LCD701	1-804-673-11	DISPLAY PANEL, LIQUID CRYSTAL		R702	1-216-809-11	METAL CHIP 470K 5% 1/10W	
		< RESISTOR >		R703	1-216-809-11	METAL CHIP 100 5% 1/10W	
R701	1-216-845-11	METAL CHIP 100K 5%	1/10W	R704	1-216-809-11	METAL CHIP 100 5% 1/10W	
R702	1-216-853-11	METAL CHIP 470K 5%	1/10W	R705	1-216-809-11	METAL CHIP 100 5% 1/10W	
R709	1-216-809-11	METAL CHIP 100 5%	1/10W	R706	1-216-809-11	METAL CHIP 100 5% 1/10W	
R710	1-216-809-11	METAL CHIP 100 5%	1/10W	R707	1-216-809-11	METAL CHIP 100 5% 1/10W	
R712	1-216-809-11	METAL CHIP 100 5%	1/10W	R708	1-216-833-11	METAL CHIP 10K 5% 1/10W	
R713	1-216-809-11	METAL CHIP 100 5%	1/10W	R711	1-216-809-11	METAL CHIP 100 5% 1/10W	
R714	1-216-845-11	METAL CHIP 100K 5%	1/10W	R715	1-216-829-11	METAL CHIP 4.7K 5% 1/10W	
		*****		R716	1-216-837-11	METAL CHIP 22K 5% 1/10W	
	1-685-235-12	JACK BOARD *****				< SWITCHING REGULATOR >	
		< CAPACITOR >		RE701	1-477-255-11	REGULATOR, SWITCHING (VOL/SELECT)	
C539	1-164-159-21	CERAMIC 0.1uF	50V				
C597	1-162-282-31	CERAMIC 100PF	10% 50V				
C598	1-162-282-31	CERAMIC 100PF	10% 50V				

Ref. No.	Part No.	Description	Remark	Ref. No.	Part No.	Description	Remark
		< SWITCH >					
S701	1-762-875-21	SWITCH, KEYBOARD (1/⏻)		C365	1-162-960-11	CERAMIC CHIP 220PF 10%	50V
S702	1-762-875-21	SWITCH, KEYBOARD (MENU/ENTER)		C366	1-162-960-11	CERAMIC CHIP 220PF 10%	50V
*****				C367	1-162-960-11	CERAMIC CHIP 220PF 10%	50V
	A-4728-813-A	MAIN BOARD, COMPLETE (US)		C371	1-164-227-11	CERAMIC CHIP 0.022uF 10%	25V
	A-4728-814-A	MAIN BOARD, COMPLETE (CND,MX)		C372	1-164-227-11	CERAMIC CHIP 0.022uF 10%	25V
	A-4728-816-A	MAIN BOARD, COMPLETE (AEP,UK)		C373	1-164-227-11	CERAMIC CHIP 0.022uF 10%	25V
	A-4728-853-A	MAIN BOARD, COMPLETE (SP,MY)		C374	1-164-227-11	CERAMIC CHIP 0.022uF 10%	25V
		*****		C375	1-164-227-11	CERAMIC CHIP 0.022uF 10%	25V
				C378	1-164-360-11	CERAMIC CHIP 0.1uF	16V
	1-533-313-11	HOLDER, FUSE		C379	1-126-160-11	ELECT 1uF	20% 50V
		< CAPACITOR >		C380	1-126-160-11	ELECT 1uF	20% 50V
C301	1-162-923-11	CERAMIC CHIP 47PF 5%	50V	C381	1-126-768-11	ELECT 2200uF	20% 16V
C302	1-115-467-11	CERAMIC CHIP 0.22uF 10%	10V	C382	1-164-360-11	CERAMIC CHIP 0.1uF	16V
C303	1-162-923-11	CERAMIC CHIP 47PF 5%	50V	C383	1-164-360-11	CERAMIC CHIP 0.1uF	16V
C304	1-115-467-11	CERAMIC CHIP 0.22uF 10%	10V	C384	1-124-465-00	ELECT 0.47uF	20% 50V
C305	1-162-923-11	CERAMIC CHIP 47PF 5%	50V	C385	1-124-465-00	ELECT 0.47uF	20% 50V
C306	1-124-234-00	ELECT 22uF 20%	16V	C386	1-124-465-00	ELECT 0.47uF	20% 50V
C307	1-162-923-11	CERAMIC CHIP 47PF 5%	50V	C387	1-126-160-11	ELECT 1uF	20% 50V
C308	1-115-467-11	CERAMIC CHIP 0.22uF 10%	10V	C388	1-124-589-11	ELECT 47uF	20% 16V
C309	1-162-923-11	CERAMIC CHIP 47PF 5%	50V	C389	1-124-465-00	ELECT 0.47uF	20% 50V
C310	1-115-467-11	CERAMIC CHIP 0.22uF 10%	10V	C390	1-164-360-11	CERAMIC CHIP 0.1uF	16V
C311	1-162-923-11	CERAMIC CHIP 47PF 5%	50V	C391	1-124-589-11	ELECT 47uF	20% 16V
C312	1-115-467-11	CERAMIC CHIP 0.22uF 10%	10V	C392	1-164-360-11	CERAMIC CHIP 0.1uF	16V
C313	1-164-360-11	CERAMIC CHIP 0.1uF	16V	C393	1-124-465-00	ELECT 0.47uF	20% 50V
C314	1-126-947-11	ELECT 47uF 20%	10V	C394	1-124-465-00	ELECT 0.47uF	20% 50V
C315	1-164-360-11	CERAMIC CHIP 0.1uF	16V	C395	1-124-465-00	ELECT 0.47uF	20% 50V
C316	1-126-934-11	ELECT 220uF 20%	10V	C396	1-124-465-00	ELECT 0.47uF	20% 50V
C317	1-136-165-00	FILM 0.1uF 5%	50V	C397	1-126-160-11	ELECT 1uF	20% 50V
C319	1-136-165-00	FILM 0.1uF 5%	50V	C398	1-124-589-11	ELECT 47uF	20% 16V
C320	1-136-165-00	FILM 0.1uF 5%	50V	C399	1-124-465-00	ELECT 0.47uF	20% 50V
C321	1-136-165-00	FILM 0.1uF 5%	50V	C421	1-126-157-11	ELECT 10uF	20% 16V
C323	1-136-165-00	FILM 0.1uF 5%	50V	C422	1-126-157-11	ELECT 10uF	20% 16V
C325	1-136-165-00	FILM 0.1uF 5%	50V	C423	1-126-157-11	ELECT 10uF	20% 16V
C326	1-136-165-00	FILM 0.1uF 5%	50V	C424	1-126-157-11	ELECT 10uF	20% 16V
C328	1-136-165-00	FILM 0.1uF 5%	50V	C425	1-126-157-11	ELECT 10uF	20% 16V
C329	1-124-234-00	ELECT 22uF 20%	16V	C426	1-126-157-11	ELECT 10uF	20% 16V
C332	1-131-700-31	FILM 0.47uF 5%	50V	C427	1-126-157-11	ELECT 10uF	20% 16V
C334	1-136-165-00	FILM 0.1uF 5%	50V	C428	1-126-160-11	ELECT 1uF	20% 50V
C336	1-131-694-31	FILM 0.15uF 5%	50V	C431	1-162-927-11	CERAMIC CHIP 100PF	5% 50V
C340	1-136-165-00	FILM 0.1uF 5%	50V	C432	1-162-927-11	CERAMIC CHIP 100PF	5% 50V
C341	1-131-694-31	FILM 0.15uF 5%	50V	C433	1-162-927-11	CERAMIC CHIP 100PF	5% 50V
C344	1-104-509-11	CERAMIC CHIP 0.018uF 10%	16V	C434	1-162-927-11	CERAMIC CHIP 100PF	5% 50V
C345	1-164-360-11	CERAMIC CHIP 0.1uF	16V	C435	1-162-927-11	CERAMIC CHIP 100PF	5% 50V
C346	1-124-234-00	ELECT 22uF 20%	16V	C436	1-162-927-11	CERAMIC CHIP 100PF	5% 50V
C347	1-164-360-11	CERAMIC CHIP 0.1uF	16V	C437	1-162-927-11	CERAMIC CHIP 100PF	5% 50V
C348	1-124-234-00	ELECT 22uF 20%	16V	C438	1-162-927-11	CERAMIC CHIP 100PF	5% 50V
C349	1-124-234-00	ELECT 22uF 20%	16V	C439	1-162-927-11	CERAMIC CHIP 100PF	5% 50V
C351	1-115-467-11	CERAMIC CHIP 0.22uF 10%	10V	C440	1-162-927-11	CERAMIC CHIP 100PF	5% 50V
C354	1-115-467-11	CERAMIC CHIP 0.22uF 10%	10V	C441	1-162-927-11	CERAMIC CHIP 100PF	5% 50V
C355	1-115-467-11	CERAMIC CHIP 0.22uF 10%	10V	C442	1-162-927-11	CERAMIC CHIP 100PF	5% 50V
C356	1-164-360-11	CERAMIC CHIP 0.1uF	16V	C443	1-162-927-11	CERAMIC CHIP 100PF	5% 50V
C358	1-115-467-11	CERAMIC CHIP 0.22uF 10%	10V	C444	1-162-927-11	CERAMIC CHIP 100PF	5% 50V
C359	1-126-160-11	ELECT 1uF 20%	50V	C501	1-126-157-11	ELECT 10uF	20% 16V
C362	1-115-467-11	CERAMIC CHIP 0.22uF 10%	10V	C502	1-164-360-11	CERAMIC CHIP 0.1uF	16V
C363	1-162-960-11	CERAMIC CHIP 220PF 10%	50V	C503	1-126-157-11	ELECT 10uF	20% 16V
C364	1-162-960-11	CERAMIC CHIP 220PF 10%	50V	C504	1-162-927-11	CERAMIC CHIP 100PF	5% 50V
				C505	1-162-919-11	CERAMIC CHIP 22PF	5% 50V
				C506	1-162-927-11	CERAMIC CHIP 100PF	5% 50V

# HT-BE1/SA-WBE1/SS-BE1

## MAIN

Ref. No.	Part No.	Description	Remark	Ref. No.	Part No.	Description	Remark
C507	1-162-919-11	CERAMIC CHIP	22PF 5%	50V	C809	1-164-360-11	CERAMIC CHIP 0.1uF 16V
C508	1-164-360-11	CERAMIC CHIP	0.1uF	16V	C810	1-164-360-11	CERAMIC CHIP 0.1uF 16V
C509	1-126-157-11	ELECT	10uF 20%	16V	C811	1-162-970-11	CERAMIC CHIP 0.01uF 10% 25V
C510	1-126-157-11	ELECT	10uF 20%	16V	C812	1-164-360-11	CERAMIC CHIP 0.1uF 16V
C511	1-115-467-11	CERAMIC CHIP	0.22uF 10%	10V	C813	1-164-360-11	CERAMIC CHIP 0.1uF 16V
C512	1-115-467-11	CERAMIC CHIP	0.22uF 10%	10V	C814	1-164-360-11	CERAMIC CHIP 0.1uF 16V
C513	1-164-360-11	CERAMIC CHIP	0.1uF	16V	C815	1-115-467-11	CERAMIC CHIP 0.22uF 10% 10V
C514	1-126-157-11	ELECT	10uF 20%	16V	C817	1-126-960-11	ELECT 1uF 20% 50V
C515	1-126-157-11	ELECT	10uF 20%	16V	C818	1-125-837-11	CERAMIC CHIP 1uF 10% 6.3V
C517	1-162-960-11	CERAMIC CHIP	220PF 10%	50V	C819	1-126-160-11	ELECT 1uF 20% 50V
C518	1-162-960-11	CERAMIC CHIP	220PF 10%	50V	C822	1-164-360-11	CERAMIC CHIP 0.1uF 16V
C519	1-162-966-11	CERAMIC CHIP	0.0022uF 10%	50V	C823	1-164-360-11	CERAMIC CHIP 0.1uF 16V
C520	1-162-966-11	CERAMIC CHIP	0.0022uF 10%	50V	C824	1-164-360-11	CERAMIC CHIP 0.1uF 16V
C521	1-162-960-11	CERAMIC CHIP	220PF 10%	50V	C825	1-164-360-11	CERAMIC CHIP 0.1uF 16V
C522	1-162-960-11	CERAMIC CHIP	220PF 10%	50V	C826	1-164-360-11	CERAMIC CHIP 0.1uF 16V
C523	1-162-964-11	CERAMIC CHIP	0.001uF 10%	50V	C827	1-164-360-11	CERAMIC CHIP 0.1uF 16V
C524	1-162-962-11	CERAMIC CHIP	470PF 10%	50V	C831	1-162-970-11	CERAMIC CHIP 0.01uF 10% 25V
C525	1-164-360-11	CERAMIC CHIP	0.1uF	16V	C832	1-162-927-11	CERAMIC CHIP 100PF 5% 50V
C526	1-126-964-11	ELECT	10uF 20%	50V	C833	1-164-360-11	CERAMIC CHIP 0.1uF 16V
C527	1-162-962-11	CERAMIC CHIP	470PF 10%	50V	C834	1-164-360-11	CERAMIC CHIP 0.1uF 16V
C528	1-162-964-11	CERAMIC CHIP	0.001uF 10%	50V	C835	1-162-970-11	CERAMIC CHIP 0.01uF 10% 25V
C529	1-126-160-11	ELECT	1uF 20%	50V	C836	1-164-360-11	CERAMIC CHIP 0.1uF 16V
C530	1-126-160-11	ELECT	1uF 20%	50V	C837	1-162-915-11	CERAMIC CHIP 10PF 0.5PF 50V
C531	1-164-360-11	CERAMIC CHIP	0.1uF	16V	C838	1-162-923-11	CERAMIC CHIP 47PF 5% 50V
C532	1-164-360-11	CERAMIC CHIP	0.1uF	16V	C839	1-162-919-11	CERAMIC CHIP 22PF 5% 50V
C533	1-126-153-11	ELECT	22uF 20%	6.3V	C840	1-164-360-11	CERAMIC CHIP 0.1uF 16V
C534	1-126-160-11	ELECT	1uF 20%	50V	C841	1-126-153-11	ELECT 22uF 20% 6.3V
C535	1-126-157-11	ELECT	10uF 20%	16V	C842	1-164-360-11	CERAMIC CHIP 0.1uF 16V
C536	1-126-947-11	ELECT	47uF 20%	10V	C843	1-124-434-00	ELECT 220uF 20% 4V
C537	1-126-153-11	ELECT	22uF 20%	6.3V	C844	1-162-970-11	CERAMIC CHIP 0.01uF 10% 25V
C538	1-162-538-11	CERAMIC CHIP	0.001uF 10%	50V	C845	1-128-551-11	ELECT 22uF 20% 25V
C540	1-126-157-11	ELECT	10uF 20%	16V	C846	1-164-360-11	CERAMIC CHIP 0.1uF 16V
C541	1-126-157-11	ELECT	10uF 20%	16V	C847	1-162-964-11	CERAMIC CHIP 0.001uF 10% 50V
C542	1-164-360-11	CERAMIC CHIP	0.1uF	16V	C849	1-164-360-11	CERAMIC CHIP 0.1uF 16V
C543	1-164-360-11	CERAMIC CHIP	0.1uF	16V	C850	1-126-153-11	ELECT 22uF 20% 6.3V
C544	1-164-360-11	CERAMIC CHIP	0.1uF	16V	C851	1-115-467-11	CERAMIC CHIP 0.22uF 10% 10V
C545	1-162-538-11	CERAMIC CHIP	0.001uF 10%	50V	C852	1-126-153-11	ELECT 22uF 20% 6.3V
C552	1-162-930-11	CERAMIC CHIP	1PF 0.25PF	50V	C853	1-115-467-11	CERAMIC CHIP 0.22uF 10% 10V
C553	1-107-826-11	CERAMIC CHIP	0.1uF 10%	16V	C854	1-115-467-11	CERAMIC CHIP 0.22uF 10% 10V
C554	1-126-934-11	ELECT	220uF 20%	10V	C855	1-115-467-11	CERAMIC CHIP 0.22uF 10% 10V
C556	1-107-826-11	CERAMIC CHIP	0.1uF 10%	16V	C856	1-115-467-11	CERAMIC CHIP 0.22uF 10% 10V
C557	1-164-227-11	CERAMIC CHIP	0.022uF 10%	25V	C857	1-164-360-11	CERAMIC CHIP 0.1uF 16V
C558	1-162-970-11	CERAMIC CHIP	0.01uF 10%	25V	C858	1-128-551-11	ELECT 22uF 20% 25V
C601	1-162-927-11	CERAMIC CHIP	100PF 5%	50V	C859	1-164-360-11	CERAMIC CHIP 0.1uF 16V
C602	1-162-927-11	CERAMIC CHIP	100PF 5%	50V	C860	1-126-934-11	ELECT 220uF 20% 10V
C603	1-162-927-11	CERAMIC CHIP	100PF 5%	50V	C861	1-115-467-11	CERAMIC CHIP 0.22uF 10% 10V
C604	1-162-923-11	CERAMIC CHIP	47PF 5%	50V	C882	1-126-153-11	ELECT 22uF 20% 6.3V
C605	1-162-927-11	CERAMIC CHIP	100PF 5%	50V	C884	1-164-360-11	CERAMIC CHIP 0.1uF 16V
C606	1-162-927-11	CERAMIC CHIP	100PF 5%	50V	C885	1-164-360-11	CERAMIC CHIP 0.1uF 16V
C607	1-162-927-11	CERAMIC CHIP	100PF 5%	50V	C886	1-164-360-11	CERAMIC CHIP 0.1uF 16V
C608	1-162-927-11	CERAMIC CHIP	100PF 5%	50V	C887	1-164-360-11	CERAMIC CHIP 0.1uF 16V
C609	1-162-927-11	CERAMIC CHIP	100PF 5%	50V	C888	1-128-551-11	ELECT 22uF 20% 25V
C801	1-164-360-11	CERAMIC CHIP	0.1uF	16V	C889	1-164-360-11	CERAMIC CHIP 0.1uF 16V
C802	1-128-551-11	ELECT	22uF 20%	25V	C890	1-164-360-11	CERAMIC CHIP 0.1uF 16V
C803	1-126-934-11	ELECT	220uF 20%	10V	C891	1-164-360-11	CERAMIC CHIP 0.1uF 16V
C806	1-164-360-11	CERAMIC CHIP	0.1uF	16V	C892	1-164-360-11	CERAMIC CHIP 0.1uF 16V
C807	1-107-826-11	CERAMIC CHIP	0.1uF 10%	16V	C893	1-164-360-11	CERAMIC CHIP 0.1uF 16V
C808	1-104-905-11	DOUBLE LAYERS	0.22F	5.5V	C894	1-126-153-11	ELECT 22uF 20% 6.3V



Ref. No.	Part No.	Description	Remark	Ref. No.	Part No.	Description	Remark		
C895	1-164-360-11	CERAMIC CHIP	0.1uF	16V		< DIODE >			
C896	1-128-551-11	ELECT	22uF	20%	25V				
C897	1-162-927-11	CERAMIC CHIP	100PF	5%	50V	D383	8-719-988-61	DIODE	1SS355TE-17
C898	1-162-927-11	CERAMIC CHIP	100PF	5%	50V	D385	8-719-988-61	DIODE	1SS355TE-17
C899	1-164-360-11	CERAMIC CHIP	0.1uF	16V		D421	8-719-988-61	DIODE	1SS355TE-17
△ C901	1-117-703-11	CERAMIC	0.0047uF	250V		D422	8-719-988-61	DIODE	1SS355TE-17
△ C902	1-104-705-11	MYLAR	0.1uF	20%	250V	D423	8-719-988-61	DIODE	1SS355TE-17
C903	1-162-290-31	CERAMIC	470PF	10%	50V	D424	8-719-988-61	DIODE	1SS355TE-17
△ C904	1-104-705-11	MYLAR	0.1uF	20%	250V	D425	8-719-988-61	DIODE	1SS355TE-17
△ C905	1-113-920-11	CERAMIC	0.0022uF	20%	250V	D426	8-719-988-61	DIODE	1SS355TE-17
△ C906	1-113-920-11	CERAMIC	0.0022uF	20%	250V	D504	8-719-988-61	DIODE	1SS355TE-17
△ C908	1-113-920-11	CERAMIC	0.0022uF	20%	250V	D506	8-719-988-61	DIODE	1SS355TE-17
△ C911	1-113-907-51	CERAMIC	0.0022uF	250V		D507	8-719-988-61	DIODE	1SS355TE-17
△ C912	1-115-586-11	ELECT(BLOCK)	220uF	20%	400V	D509	8-719-988-61	DIODE	1SS355TE-17
△ C912	1-125-708-11	ELECT(BLOCK)	330uF	20%	200V	D510	8-719-988-61	DIODE	1SS355TE-17
				(EXCEPT US,CND,MX)		D511	8-719-988-61	DIODE	1SS355TE-17
				(US,CND,MX)		D802	8-719-988-61	DIODE	1SS355TE-17
△ C913	1-117-452-11	FILM	0.0033uF	5%	630V	D803	8-719-988-61	DIODE	1SS355TE-17
C914	1-126-967-11	ELECT	47uF	20%	50V	D804	8-719-988-61	DIODE	1SS355TE-17
C915	1-162-286-21	CERAMIC	220PF	10%	50V	D805	8-719-988-61	DIODE	1SS355TE-17
△ C916	1-125-772-51	CERAMIC	0.0015uF	10%	2KV	D806	8-719-988-61	DIODE	1SS355TE-17
C917	1-126-935-11	ELECT	470uF	20%	16V	D807	8-719-988-61	DIODE	1SS355TE-17
C918	1-115-340-11	CERAMIC	0.22uF	10%	25V	D808	8-719-988-61	DIODE	1SS355TE-17
C919	1-164-227-11	CERAMIC CHIP	0.022uF	10%	25V	D809	8-719-988-61	DIODE	1SS355TE-17
				(US,CND,MX)		D810	8-719-988-61	DIODE	1SS355TE-17
△ C920	1-117-452-11	FILM	0.0033uF	5%	630V	D811	8-719-988-61	DIODE	1SS355TE-17 (EXCEPT US,CND,MX)
C921	1-115-792-11	ELECT	2200uF	20%	25V	D812	8-719-988-61	DIODE	1SS355TE-17 (EXCEPT US,CND,MX)
C922	1-115-792-11	ELECT	2200uF	20%	25V				
C923	1-115-792-11	ELECT	2200uF	20%	25V	D901	8-719-043-76	DIODE	AK04V0
C924	1-162-962-11	CERAMIC CHIP	470PF	10%	50V	△ D902	8-719-084-58	DIODE	RBV-406
				(US,CND,MX)		D903	8-719-110-53	DIODE	RD20ES-B2
C925	1-126-935-11	ELECT	470uF	20%	16V	D904	8-719-110-53	DIODE	RD20ES-B2
C927	1-126-768-11	ELECT	2200uF	20%	16V	D905	8-719-200-91	DIODE	11EQS10
C928	1-104-665-11	ELECT	100uF	20%	10V	D906	8-719-200-91	DIODE	11EQS10
C929	1-128-551-11	ELECT	22uF	20%	25V	D907	8-719-200-91	DIODE	11EQS10
				(US,CND,MX)		△ D908	6-500-241-01	DIODE	SARS03
C931	1-107-826-11	CERAMIC CHIP	0.1uF	10%	16V	D909	6-500-258-01	DIODE	RK16
C932	1-107-826-11	CERAMIC CHIP	0.1uF	10%	16V	D910	8-719-988-61	DIODE	1SS355TE-17 (US,CND,MX)
C933	1-164-360-11	CERAMIC CHIP	0.1uF	16V		D911	8-719-080-05	DIODE	FMB-26L
△ C941	1-113-907-51	CERAMIC	0.0022uF	250V		D913	8-719-200-91	DIODE	11EQS10
				(EXCEPT US,CND,MX)		D914	8-719-988-61	DIODE	1SS355TE-17 (US,CND,MX)
C942	1-126-934-11	ELECT	220uF	20%	10V	D918	8-719-109-93	DIODE	RD6.2ES-B2 (EXCEPT US,CND,MX)
				(EXCEPT US,CND,MX)		D941	8-719-988-61	DIODE	1SS355TE-17 (EXCEPT US,CND,MX)
C943	1-126-767-11	ELECT	1000uF	20%	16V	D942	8-719-988-61	DIODE	1SS355TE-17 (EXCEPT US,CND,MX)
				(EXCEPT US,CND,MX)		D943	8-719-988-61	DIODE	1SS355TE-17 (EXCEPT US,CND,MX)
C944	1-126-767-11	ELECT	1000uF	20%	16V	D944	8-719-988-61	DIODE	1SS355TE-17 (EXCEPT US,CND,MX)
				(EXCEPT US,CND,MX)		D945	8-719-988-61	DIODE	1SS355TE-17 (EXCEPT US,CND,MX)
				(EXCEPT US,CND,MX)		D946	8-719-988-61	DIODE	1SS355TE-17 (US,CND,MX)
						DZ501	8-719-109-66	DIODE	RD3.3ES-B2
									< TERMINAL BOARD >
* CN301	1-506-995-11	PIN, CONNECTOR (PC BOARD) 13P				EB902	1-537-770-21	TERMINAL BOARD, GROUND	
* CN381	1-564-243-11	PIN, CONNECTOR (3.96mm PITCH) 6P							< FUSE >
* CN382	1-564-241-11	PIN, CONNECTOR (3.96mm PITCH) 4P				△ F901	1-533-453-11	FUSE, GLASS TUBE (DIA.5) (5A/125V)	
* CN383	1-564-241-11	PIN, CONNECTOR (3.96mm PITCH) 4P						(US,CND,MX)	
* CN421	1-564-706-11	PIN, CONNECTOR (SMALL TYPE) 4P				△ F901	1-533-470-11	FUSE, GLASS TUBE (DIA.5) (T3.15AL/250V)	
CN801	1-784-775-11	CONNECTOR, FFC 14P						(EXCEPT US,CND,MX)	
CN802	1-784-367-31	CONNECTOR, FFC/FPC 8P							
CN901	1-564-321-00	PIN, CONNECTOR (3.96mm PITCH) 2P							
CN902	1-564-321-00	PIN, CONNECTOR (3.96mm PITCH) 2P							

&lt; CONNECTOR &gt;

The components identified by mark △ or dotted line with mark △ are critical for safety. Replace only with part number specified.

Les composants identifiés par une marque △ sont critiques pour la sécurité. Ne les remplacer que par une pièce portant le numéro spécifié.

**MAIN**

Ref. No.	Part No.	Description	Remark	Ref. No.	Part No.	Description	Remark
		< FERRITE BEAD >					
FB501	1-469-681-21	FERRITE, EMI (SMD)		IC306	8-759-106-02	IC uPC4570G2	
FB502	1-216-864-11	METAL CHIP 0	5% 1/10W	IC307	8-759-106-02	IC uPC4570G2	
FB503	1-216-864-11	METAL CHIP 0	5% 1/10W	IC308	8-759-106-02	IC uPC4570G2	
FB504	1-216-864-11	METAL CHIP 0	5% 1/10W	IC381	8-759-490-74	IC TDA7384A	
FB505	1-469-681-21	FERRITE, EMI (SMD)		IC382	8-759-490-74	IC TDA7384A	
FB506	1-469-681-21	FERRITE, EMI (SMD)		IC501	8-759-713-24	IC PCM2702E/2K	
FB507	1-469-681-21	FERRITE, EMI (SMD)		IC502	8-759-008-67	IC MC14066BF	
FB508	1-469-681-21	FERRITE, EMI (SMD)		IC505	8-759-106-02	IC uPC4570G2	
FB509	1-469-681-21	FERRITE, EMI (SMD)		IC506	8-759-106-02	IC uPC4570G2	
FB510	1-469-681-21	FERRITE, EMI (SMD)		IC507	8-759-106-02	IC uPC4570G2	
FB511	1-469-681-21	FERRITE, EMI (SMD)		IC508	8-759-106-02	IC uPC4570G2	
FB512	1-469-681-21	FERRITE, EMI (SMD)		IC509	8-759-242-70	IC TC7WU04F	
FB513	1-469-681-21	FERRITE, EMI (SMD)		IC801	6-801-523-01	IC uPD703033A	
FB801	1-469-681-21	FERRITE, EMI (SMD)		IC802	8-759-698-76	IC CXD9617R	
FB802	1-469-681-21	FERRITE, EMI (SMD)		IC803	8-759-825-15	IC LC89056W-E	
FB803	1-469-681-21	FERRITE, EMI (SMD)		IC804	8-759-657-47	IC AK4527	
FB804	1-469-681-21	FERRITE, EMI (SMD)		IC805	8-759-658-46	IC S-81233SGY-Z	
FB805	1-469-681-21	FERRITE, EMI (SMD)		IC806	8-759-637-58	IC PST592C-T	
FB806	1-469-681-21	FERRITE, EMI (SMD)		IC807	8-759-637-50	IC TA48M025F(TE16L)	
FB807	1-469-681-21	FERRITE, EMI (SMD)		IC808	8-759-658-46	IC S-81233SGY-Z	
FB808	1-469-681-21	FERRITE, EMI (SMD)		△ IC901	8-749-017-79	IC STR-F6676 (EXCEPT US,CND,MX)	
FB809	1-469-681-21	FERRITE, EMI (SMD)		△ IC901	8-749-018-45	IC STR-F6424 (US,CND,MX)	
FB821	1-469-681-21	FERRITE, EMI (SMD)		IC902	6-700-388-01	IC SE-B2	
FB822	1-469-681-21	FERRITE, EMI (SMD)		IC903	8-759-390-72	IC TC4S584F(TE85R) (US,CND,MX)	
FB823	1-469-681-21	FERRITE, EMI (SMD)		IC904	8-759-604-32	IC M5F7810L	
FB824	1-469-681-21	FERRITE, EMI (SMD)		IC905	6-700-812-01	IC SI-8050JF	
FB825	1-469-681-21	FERRITE, EMI (SMD)		IC906	8-759-683-11	IC KIA78L05BP-AT	
FB826	1-469-681-21	FERRITE, EMI (SMD)		IC941	8-759-683-11	IC KIA78L05BP-AT (EXCEPT US,CND,MX)	
FB827	1-469-681-21	FERRITE, EMI (SMD)				< COIL >	
FB828	1-469-681-21	FERRITE, EMI (SMD)		L501	1-412-002-31	INDUCTOR 4.7uH	
FB829	1-469-681-21	FERRITE, EMI (SMD)		L503	1-412-002-31	INDUCTOR 4.7uH	
FB831	1-469-681-21	FERRITE, EMI (SMD)		L504	1-412-002-31	INDUCTOR 4.7uH	
FB832	1-469-681-21	FERRITE, EMI (SMD)		L801	1-410-993-11	INDUCTOR 1uH	
FB833	1-469-681-21	FERRITE, EMI (SMD)		L802	1-410-993-11	INDUCTOR 1uH	
FB834	1-469-681-21	FERRITE, EMI (SMD)		L901	1-424-860-11	COIL, CHOKE 10uH	
FB901	1-412-473-21	INDUCTOR (SMALL TYPE)		L902	1-419-253-11	COIL, CHOKE 100uH	
FL801	1-469-681-21	FERRITE, EMI (SMD)		L903	1-408-599-31	INDUCTOR 4.7uH	
		< FILTER >				< LINE FILTER >	
FL802	1-234-177-21	FILTER, CHIP EMI		△ LF901	1-424-930-11	COIL, LINE FILTER (EXCEPT US,CND,MX)	
FL804	1-234-177-21	FILTER, CHIP EMI		△ LF902	1-424-930-11	COIL, LINE FILTER	
FL806	1-234-177-21	FILTER, CHIP EMI				< PHOTO COUPLER >	
FL807	1-234-177-21	FILTER, CHIP EMI		PC901	8-749-019-04	PHOTO COUPLER TLP421	
FL821	1-234-177-21	FILTER, CHIP EMI				< TRANSISTOR >	
FL822	1-234-177-21	FILTER, CHIP EMI		Q301	8-729-024-91	TRANSISTOR 2SC2712-GL-TE85L	
FL829	1-234-177-21	FILTER, CHIP EMI		Q302	8-729-027-52	TRANSISTOR DTC124EKA-T146	
		< TERMINAL BOARD >		Q303	8-729-046-97	TRANSISTOR 2SD1938(F)-T(TX).SO	
G1101	1-537-770-21	TERMINAL BOARD, GROUND		Q304	8-729-046-97	TRANSISTOR 2SD1938(F)-T(TX).SO	
		< IC >		Q305	8-729-046-97	TRANSISTOR 2SD1938(F)-T(TX).SO	
IC301	8-759-106-02	IC uPC4570G2		Q306	8-729-046-97	TRANSISTOR 2SD1938(F)-T(TX).SO	
IC302	8-759-106-02	IC uPC4570G2		Q307	8-729-046-97	TRANSISTOR 2SD1938(F)-T(TX).SO	
IC303	8-759-106-02	IC uPC4570G2		Q308	8-729-046-97	TRANSISTOR 2SD1938(F)-T(TX).SO	
IC304	8-759-658-33	IC TC9482F(EL)		Q309	8-729-901-05	TRANSISTOR DTA124EK	
IC305	8-759-106-02	IC uPC4570G2		Q310	8-729-901-05	TRANSISTOR DTA124EK	

The components identified by mark △ or dotted line with mark △ are critical for safety. Replace only with part number specified.	Les composants identifiés par une marque △ sont critiques pour la sécurité. Ne les remplacer que par une pièce portant le numéro spécifié.
--	--

Ref. No.	Part No.	Description	Remark	Ref. No.	Part No.	Description	Remark
Q311	8-729-901-05	TRANSISTOR DTA124EK		R331	1-216-864-11	METAL CHIP 0	5% 1/10W
Q312	8-729-027-52	TRANSISTOR DTC124EKA-T146		R332	1-216-821-11	METAL CHIP 1K	5% 1/10W
Q313	8-729-027-52	TRANSISTOR DTC124EKA-T146		R333	1-216-821-11	METAL CHIP 1K	5% 1/10W
Q314	8-729-027-52	TRANSISTOR DTC124EKA-T146		R334	1-216-864-11	METAL CHIP 0	5% 1/10W
Q321	8-729-024-91	TRANSISTOR 2SC2712-GL-TE85L		R335	1-216-839-11	METAL CHIP 33K	5% 1/10W
Q322	8-729-024-91	TRANSISTOR 2SC2712-GL-TE85L		R336	1-216-821-11	METAL CHIP 1K	5% 1/10W
Q323	8-729-024-91	TRANSISTOR 2SC2712-GL-TE85L		R337	1-216-864-11	METAL CHIP 0	5% 1/10W
Q324	8-729-024-91	TRANSISTOR 2SC2712-GL-TE85L		R338	1-216-839-11	METAL CHIP 33K	5% 1/10W
Q325	8-729-024-91	TRANSISTOR 2SC2712-GL-TE85L		R339	1-216-821-11	METAL CHIP 1K	5% 1/10W
Q326	8-729-024-91	TRANSISTOR 2SC2712-GL-TE85L		R340	1-216-864-11	METAL CHIP 0	5% 1/10W
Q421	8-729-024-91	TRANSISTOR 2SC2712-GL-TE85L		R341	1-216-839-11	METAL CHIP 33K	5% 1/10W
Q422	8-729-037-13	TRANSISTOR KTA1271-Y		R342	1-216-864-11	METAL CHIP 0	5% 1/10W
Q501	8-729-027-52	TRANSISTOR DTC124EKA-T146		R343	1-216-833-11	METAL CHIP 10K	5% 1/10W
Q502	8-729-901-05	TRANSISTOR DTA124EK		R345	1-216-833-11	METAL CHIP 10K	5% 1/10W
Q503	8-729-027-52	TRANSISTOR DTC124EKA-T146		R348	1-216-821-11	METAL CHIP 1K	5% 1/10W
Q504	8-729-027-52	TRANSISTOR DTC124EKA-T146		R349	1-216-864-11	METAL CHIP 0	5% 1/10W
Q505	8-729-901-05	TRANSISTOR DTA124EK		R350	1-216-839-11	METAL CHIP 33K	5% 1/10W
Q506	8-729-024-91	TRANSISTOR 2SC2712-GL-TE85L		R351	1-216-821-11	METAL CHIP 1K	5% 1/10W
Q507	8-729-900-53	TRANSISTOR DTC114EK		R352	1-216-845-11	METAL CHIP 100K	5% 1/10W
Q801	8-729-024-91	TRANSISTOR 2SC2712-GL-TE85L		R353	1-216-836-11	METAL CHIP 18K	5% 1/10W
Q803	8-729-027-24	TRANSISTOR DTA114TKA-T146		R354	1-216-836-11	METAL CHIP 18K	5% 1/10W
Q804	8-729-024-91	TRANSISTOR 2SC2712-GL-TE85L		R355	1-216-864-11	METAL CHIP 0	5% 1/10W
Q805	8-729-024-91	TRANSISTOR 2SC2712-GL-TE85L		R356	1-216-845-11	METAL CHIP 100K	5% 1/10W
Q901	8-729-111-29	TRANSISTOR 2SD1616A-K		R358	1-216-825-11	METAL CHIP 2.2K	5% 1/10W
Q902	8-729-024-91	TRANSISTOR 2SC2712-GL-TE85L (US,CND,MX)		R359	1-216-833-11	METAL CHIP 10K	5% 1/10W
Q904	8-729-037-13	TRANSISTOR KTA1271-Y		R360	1-216-845-11	METAL CHIP 100K	5% 1/10W
Q905	8-729-900-53	TRANSISTOR DTC114EK		R361	1-216-833-11	METAL CHIP 10K	5% 1/10W
Q906	8-729-900-53	TRANSISTOR DTC114EK (US,CND,MX)		R362	1-216-825-11	METAL CHIP 2.2K	5% 1/10W
Q907	8-729-037-13	TRANSISTOR KTA1271-Y		R363	1-216-845-11	METAL CHIP 100K	5% 1/10W
Q908	8-729-900-53	TRANSISTOR DTC114EK		R364	1-216-825-11	METAL CHIP 2.2K	5% 1/10W
Q909	8-729-040-76	TRANSISTOR KTA1273-Y-AT (US,CND,MX)		R365	1-216-833-11	METAL CHIP 10K	5% 1/10W
Q910	8-729-900-53	TRANSISTOR DTC114EK (US,CND,MX)		R366	1-216-845-11	METAL CHIP 100K	5% 1/10W
Q941	8-729-901-81	TRANSISTOR 2SC2412K-T-146-R (EXCEPT US,CND,MX)		R367	1-216-833-11	METAL CHIP 10K	5% 1/10W
		< RESISTOR >		R368	1-216-825-11	METAL CHIP 2.2K	5% 1/10W
R301	1-216-829-11	METAL CHIP 4.7K	5% 1/10W	R369	1-216-845-11	METAL CHIP 100K	5% 1/10W
R302	1-216-833-11	METAL CHIP 10K	5% 1/10W	R370	1-216-825-11	METAL CHIP 2.2K	5% 1/10W
R304	1-216-829-11	METAL CHIP 4.7K	5% 1/10W	R371	1-216-833-11	METAL CHIP 10K	5% 1/10W
R305	1-216-833-11	METAL CHIP 10K	5% 1/10W	R372	1-216-845-11	METAL CHIP 100K	5% 1/10W
R307	1-216-822-11	METAL CHIP 1.2K	5% 1/10W	R373	1-216-833-11	METAL CHIP 10K	5% 1/10W
R308	1-216-833-11	METAL CHIP 10K	5% 1/10W	R374	1-216-825-11	METAL CHIP 2.2K	5% 1/10W
R310	1-216-825-11	METAL CHIP 2.2K	5% 1/10W	R375	1-216-845-11	METAL CHIP 100K	5% 1/10W
R311	1-216-833-11	METAL CHIP 10K	5% 1/10W	R376	1-216-829-11	METAL CHIP 4.7K	5% 1/10W
R313	1-216-825-11	METAL CHIP 2.2K	5% 1/10W	R377	1-216-841-11	METAL CHIP 47K	5% 1/10W
R315	1-216-833-11	METAL CHIP 10K	5% 1/10W	R378	1-216-841-11	METAL CHIP 47K	5% 1/10W
R316	1-216-829-11	METAL CHIP 4.7K	5% 1/10W	R381	1-216-833-11	METAL CHIP 10K	5% 1/10W
R318	1-216-829-11	METAL CHIP 4.7K	5% 1/10W	R383	1-216-837-11	METAL CHIP 22K	5% 1/10W
R320	1-216-825-11	METAL CHIP 2.2K	5% 1/10W	R384	1-216-833-11	METAL CHIP 10K	5% 1/10W
R321	1-216-833-11	METAL CHIP 10K	5% 1/10W	R386	1-216-837-11	METAL CHIP 22K	5% 1/10W
R323	1-216-809-11	METAL CHIP 100	5% 1/10W	R388	1-216-841-11	METAL CHIP 47K	5% 1/10W
R324	1-216-809-11	METAL CHIP 100	5% 1/10W	R392	1-216-821-11	METAL CHIP 1K	5% 1/10W
R325	1-216-809-11	METAL CHIP 100	5% 1/10W	R393	1-216-821-11	METAL CHIP 1K	5% 1/10W
R326	1-216-829-11	METAL CHIP 4.7K	5% 1/10W	R394	1-216-821-11	METAL CHIP 1K	5% 1/10W
R327	1-216-839-11	METAL CHIP 33K	5% 1/10W	R395	1-216-821-11	METAL CHIP 1K	5% 1/10W
R328	1-216-829-11	METAL CHIP 4.7K	5% 1/10W	R396	1-216-821-11	METAL CHIP 1K	5% 1/10W
R329	1-216-829-11	METAL CHIP 4.7K	5% 1/10W	R397	1-216-821-11	METAL CHIP 1K	5% 1/10W
R330	1-216-829-11	METAL CHIP 4.7K	5% 1/10W	R398	1-216-821-11	METAL CHIP 1K	5% 1/10W
				R401	1-216-853-11	METAL CHIP 470K	5% 1/10W
				R402	1-216-821-11	METAL CHIP 1K	5% 1/10W

# HT-BE1/SA-WBE1/SS-BE1

## MAIN

Ref. No.	Part No.	Description	Remark	Ref. No.	Part No.	Description	Remark
R403	1-216-821-11	METAL CHIP	1K 5%	1/10W	R541	1-216-829-11	METAL CHIP 4.7K 5% 1/10W
R404	1-216-853-11	METAL CHIP	470K 5%	1/10W	R542	1-216-809-11	METAL CHIP 100 5% 1/10W
R405	1-216-821-11	METAL CHIP	1K 5%	1/10W	R543	1-216-813-11	METAL CHIP 220 5% 1/10W
R406	1-216-853-11	METAL CHIP	470K 5%	1/10W	R544	1-216-833-11	METAL CHIP 10K 5% 1/10W
R407	1-216-821-11	METAL CHIP	1K 5%	1/10W	R545	1-216-809-11	METAL CHIP 100 5% 1/10W
R408	1-216-853-11	METAL CHIP	470K 5%	1/10W	R546	1-216-813-11	METAL CHIP 220 5% 1/10W
R409	1-216-853-11	METAL CHIP	470K 5%	1/10W	R547	1-216-833-11	METAL CHIP 10K 5% 1/10W
R410	1-216-821-11	METAL CHIP	1K 5%	1/10W	R548	1-216-833-11	METAL CHIP 10K 5% 1/10W
R411	1-216-821-11	METAL CHIP	1K 5%	1/10W	R549	1-216-829-11	METAL CHIP 4.7K 5% 1/10W
R412	1-216-853-11	METAL CHIP	470K 5%	1/10W	R553	1-216-837-11	METAL CHIP 22K 5% 1/10W
R421	1-216-817-11	METAL CHIP	470 5%	1/10W	R554	1-216-853-11	METAL CHIP 470K 5% 1/10W
R422	1-216-817-11	METAL CHIP	470 5%	1/10W	R555	1-216-809-11	METAL CHIP 100 5% 1/10W
R423	1-216-817-11	METAL CHIP	470 5%	1/10W	R556	1-216-849-11	METAL CHIP 220K 5% 1/10W
R424	1-216-817-11	METAL CHIP	470 5%	1/10W	R557	1-216-821-11	METAL CHIP 1K 5% 1/10W
R425	1-216-817-11	METAL CHIP	470 5%	1/10W	R558	1-218-285-11	METAL CHIP 75 5% 1/10W
R426	1-216-817-11	METAL CHIP	470 5%	1/10W	R559	1-216-833-11	METAL CHIP 10K 5% 1/10W
R427	1-216-841-11	METAL CHIP	47K 5%	1/10W	R601	1-216-821-11	METAL CHIP 1K 5% 1/10W
R428	1-216-809-11	METAL CHIP	100 5%	1/10W	R602	1-216-821-11	METAL CHIP 1K 5% 1/10W
R429	1-216-841-11	METAL CHIP	47K 5%	1/10W	R603	1-216-821-11	METAL CHIP 1K 5% 1/10W
R501	1-216-809-11	METAL CHIP	100 5%	1/10W	R605	1-216-864-11	METAL CHIP 0 5% 1/10W
R502	1-216-857-11	METAL CHIP	1M 5%	1/10W	R606	1-216-864-11	METAL CHIP 0 5% 1/10W
R503	1-216-823-11	METAL CHIP	1.5K 5%	1/10W	R607	1-216-864-11	METAL CHIP 0 5% 1/10W
R504	1-216-821-11	METAL CHIP	1K 5%	1/10W	R608	1-216-864-11	METAL CHIP 0 5% 1/10W
R505	1-216-833-11	METAL CHIP	10K 5%	1/10W	R609	1-216-809-11	METAL CHIP 100 5% 1/10W
R506	1-216-833-11	METAL CHIP	10K 5%	1/10W	R610	1-216-821-11	METAL CHIP 1K 5% 1/10W
R507	1-216-809-11	METAL CHIP	100 5%	1/10W	R801	1-216-809-11	METAL CHIP 100 5% 1/10W
R508	1-216-809-11	METAL CHIP	100 5%	1/10W	R802	1-216-809-11	METAL CHIP 100 5% 1/10W
R509	1-216-826-11	METAL CHIP	2.7K 5%	1/10W	R803	1-216-809-11	METAL CHIP 100 5% 1/10W
R510	1-216-821-11	METAL CHIP	1K 5%	1/10W	R804	1-216-809-11	METAL CHIP 100 5% 1/10W
R511	1-216-841-11	METAL CHIP	47K 5%	1/10W	R805	1-216-857-11	METAL CHIP 1M 5% 1/10W
R512	1-216-826-11	METAL CHIP	2.7K 5%	1/10W	R806	1-216-841-11	METAL CHIP 47K 5% 1/10W
R513	1-216-821-11	METAL CHIP	1K 5%	1/10W	R807	1-216-809-11	METAL CHIP 100 5% 1/10W
R514	1-216-841-11	METAL CHIP	47K 5%	1/10W	R808	1-216-809-11	METAL CHIP 100 5% 1/10W
R515	1-216-801-11	METAL CHIP	22 5%	1/10W	R809	1-216-833-11	METAL CHIP 10K 5% 1/10W
R516	1-216-801-11	METAL CHIP	22 5%	1/10W	R810	1-216-845-11	METAL CHIP 100K 5% 1/10W
R517	1-216-801-11	METAL CHIP	22 5%	1/10W	R811	1-216-845-11	METAL CHIP 100K 5% 1/10W
R518	1-216-833-11	METAL CHIP	10K 5%	1/10W	R813	1-216-821-11	METAL CHIP 1K 5% 1/10W
R520	1-216-833-11	METAL CHIP	10K 5%	1/10W	R814	1-216-857-11	METAL CHIP 1M 5% 1/10W
R521	1-216-851-11	METAL CHIP	330K 5%	1/10W	R815	1-216-809-11	METAL CHIP 100 5% 1/10W
R522	1-216-851-11	METAL CHIP	330K 5%	1/10W	R816	1-216-809-11	METAL CHIP 100 5% 1/10W
R523	1-216-833-11	METAL CHIP	10K 5%	1/10W	R817	1-216-833-11	METAL CHIP 10K 5% 1/10W
R524	1-216-857-11	METAL CHIP	1M 5%	1/10W	R818	1-216-837-11	METAL CHIP 22K 5% 1/10W
R525	1-216-833-11	METAL CHIP	10K 5%	1/10W	R819	1-216-841-11	METAL CHIP 47K 5% 1/10W
R526	1-216-833-11	METAL CHIP	10K 5%	1/10W	R820	1-216-841-11	METAL CHIP 47K 5% 1/10W
R527	1-216-833-11	METAL CHIP	10K 5%	1/10W	R821	1-216-833-11	METAL CHIP 10K 5% 1/10W
R528	1-216-829-11	METAL CHIP	4.7K 5%	1/10W	R822	1-216-845-11	METAL CHIP 100K 5% 1/10W
R529	1-216-829-11	METAL CHIP	4.7K 5%	1/10W			(US,CND,MX)
R530	1-216-833-11	METAL CHIP	10K 5%	1/10W	R823	1-216-845-11	METAL CHIP 100K 5% 1/10W
R531	1-216-829-11	METAL CHIP	4.7K 5%	1/10W	R824	1-216-833-11	METAL CHIP 10K 5% 1/10W
R532	1-216-813-11	METAL CHIP	220 5%	1/10W	R826	1-216-833-11	METAL CHIP 10K 5% 1/10W
R533	1-216-809-11	METAL CHIP	100 5%	1/10W	R827	1-216-809-11	METAL CHIP 100 5% 1/10W
R534	1-216-833-11	METAL CHIP	10K 5%	1/10W	R828	1-216-809-11	METAL CHIP 100 5% 1/10W
R535	1-216-833-11	METAL CHIP	10K 5%	1/10W	R829	1-216-809-11	METAL CHIP 100 5% 1/10W
R536	1-216-813-11	METAL CHIP	220 5%	1/10W	R830	1-216-809-11	METAL CHIP 100 5% 1/10W
R537	1-216-809-11	METAL CHIP	100 5%	1/10W	R831	1-216-809-11	METAL CHIP 100 5% 1/10W
R538	1-216-829-11	METAL CHIP	4.7K 5%	1/10W	R832	1-216-809-11	METAL CHIP 100 5% 1/10W
R539	1-216-833-11	METAL CHIP	10K 5%	1/10W	R833	1-216-809-11	METAL CHIP 100 5% 1/10W
R540	1-216-833-11	METAL CHIP	10K 5%	1/10W	R834	1-216-829-11	METAL CHIP 4.7K 5% 1/10W

Ref. No.	Part No.	Description	Remark	Ref. No.	Part No.	Description	Remark
R835	1-216-833-11	METAL CHIP	10K 5% 1/10W	R894	1-216-845-11	METAL CHIP	100K 5% 1/10W
R836	1-216-837-11	METAL CHIP	22K 5% 1/10W	R895	1-216-841-11	METAL CHIP	47K 5% 1/10W
R837	1-216-821-11	METAL CHIP	1K 5% 1/10W	R896	1-216-853-11	METAL CHIP	470K 5% 1/10W
R838	1-216-829-11	METAL CHIP	4.7K 5% 1/10W	R897	1-216-845-11	METAL CHIP	100K 5% 1/10W
R839	1-216-809-11	METAL CHIP	100 5% 1/10W				(EXCEPT US,CND,MX)
R840	1-216-809-11	METAL CHIP	100 5% 1/10W	R899	1-216-821-11	METAL CHIP	1K 5% 1/10W
R841	1-216-809-11	METAL CHIP	100 5% 1/10W	△ R900	1-216-361-31	METAL OXIDE	0.22 5% 2W F
R842	1-216-809-11	METAL CHIP	100 5% 1/10W				(US,CND,MX)
R843	1-216-809-11	METAL CHIP	100 5% 1/10W	△ R900	1-216-363-11	METAL OXIDE	0.33 5% 2W F
R845	1-216-857-11	METAL CHIP	1M 5% 1/10W				(EXCEPT US,CND,MX)
R846	1-216-821-11	METAL CHIP	1K 5% 1/10W	R901	1-249-415-11	CARBON	680 5% 1/4W
R847	1-216-821-11	METAL CHIP	1K 5% 1/10W	△ R903	1-216-361-31	METAL OXIDE	0.22 5% 2W F
R848	1-216-821-11	METAL CHIP	1K 5% 1/10W				(US,CND,MX)
R849	1-216-809-11	METAL CHIP	100 5% 1/10W	△ R903	1-216-365-00	METAL OXIDE	0.47 5% 2W F
R850	1-216-809-11	METAL CHIP	100 5% 1/10W				(EXCEPT US,CND,MX)
R851	1-216-809-11	METAL CHIP	100 5% 1/10W	R907	1-249-425-11	CARBON	4.7K 5% 1/4W
R852	1-216-821-11	METAL CHIP	1K 5% 1/10W	△ R908	1-215-903-11	METAL OXIDE	68K 5% 2W F
R853	1-216-833-11	METAL CHIP	10K 5% 1/10W	△ R909	1-202-837-00	SOLID	82K 10% 1/2W F
R854	1-216-864-11	METAL CHIP	0 5% 1/10W	R911	1-249-422-11	CARBON	2.7K 5% 1/4W
R855	1-216-809-11	METAL CHIP	100 5% 1/10W	R912	1-249-426-11	CARBON	5.6K 5% 1/4W
R856	1-216-845-11	METAL CHIP	100K 5% 1/10W	R913	1-249-389-11	CARBON	4.7 5% 1/4W
R857	1-216-833-11	METAL CHIP	10K 5% 1/10W	R914	1-216-826-11	METAL CHIP	2.7K 5% 1/10W
R858	1-216-833-11	METAL CHIP	10K 5% 1/10W	R915	1-216-825-11	METAL CHIP	2.2K 5% 1/10W
R859	1-216-821-11	METAL CHIP	1K 5% 1/10W				(US,CND,MX)
R860	1-216-821-11	METAL CHIP	1K 5% 1/10W	R916	1-216-829-11	METAL CHIP	4.7K 5% 1/10W
R861	1-216-821-11	METAL CHIP	1K 5% 1/10W				(US,CND,MX)
R862	1-216-809-11	METAL CHIP	100 5% 1/10W	R917	1-249-413-11	CARBON	470 5% 1/4W
R863	1-216-809-11	METAL CHIP	100 5% 1/10W	R918	1-249-409-11	CARBON	220 5% 1/4W
R864	1-216-809-11	METAL CHIP	100 5% 1/10W	R919	1-215-445-00	METAL	10K 1% 1/4W
R865	1-216-821-11	METAL CHIP	1K 5% 1/10W	R920	1-215-433-00	METAL	3.3K 1% 1/4W
R866	1-216-821-11	METAL CHIP	1K 5% 1/10W	R921	1-216-839-11	METAL CHIP	33K 5% 1/10W
R867	1-216-821-11	METAL CHIP	1K 5% 1/10W				(US,CND,MX)
R868	1-216-821-11	METAL CHIP	1K 5% 1/10W	R922	1-216-849-11	METAL CHIP	220K 5% 1/10W
R869	1-216-821-11	METAL CHIP	1K 5% 1/10W				(US,CND,MX)
R870	1-216-821-11	METAL CHIP	1K 5% 1/10W	R923	1-247-807-31	CARBON	100 5% 1/4W
R871	1-216-821-11	METAL CHIP	1K 5% 1/10W				(US,CND,MX)
R872	1-216-821-11	METAL CHIP	1K 5% 1/10W	R925	1-216-821-11	METAL CHIP	1K 5% 1/10W
R873	1-216-821-11	METAL CHIP	1K 5% 1/10W	R926	1-216-813-11	METAL CHIP	220 5% 1/10W
R874	1-216-809-11	METAL CHIP	100 5% 1/10W	R927	1-216-833-11	METAL CHIP	10K 5% 1/10W
R875	1-216-809-11	METAL CHIP	100 5% 1/10W	R928	1-216-825-11	METAL CHIP	2.2K 5% 1/10W
R876	1-216-821-11	METAL CHIP	1K 5% 1/10W	R929	1-216-833-11	METAL CHIP	10K 5% 1/10W
R877	1-216-821-11	METAL CHIP	1K 5% 1/10W				(US,CND,MX)
R878	1-216-821-11	METAL CHIP	1K 5% 1/10W	R931	1-216-821-11	METAL CHIP	1K 5% 1/10W
R879	1-216-821-11	METAL CHIP	1K 5% 1/10W				(US,CND,MX)
R880	1-216-809-11	METAL CHIP	100 5% 1/10W	R932	1-216-813-11	METAL CHIP	220 5% 1/10W
R881	1-216-821-11	METAL CHIP	1K 5% 1/10W	R933	1-216-825-11	METAL CHIP	2.2K 5% 1/10W
R882	1-216-821-11	METAL CHIP	1K 5% 1/10W	R934	1-249-409-11	CARBON	220 5% 1/4W
R883	1-216-821-11	METAL CHIP	1K 5% 1/10W	R935	1-249-409-11	CARBON	220 5% 1/4W
R884	1-216-845-11	METAL CHIP	100K 5% 1/10W	R937	1-216-864-11	METAL CHIP	0 5% 1/10W
R885	1-216-845-11	METAL CHIP	100K 5% 1/10W				(EXCEPT US,CND,MX)
R886	1-216-845-11	METAL CHIP	100K 5% 1/10W	R941	1-216-793-11	METAL CHIP	4.7 5% 1/10W
R887	1-216-845-11	METAL CHIP	100K 5% 1/10W				(EXCEPT US,CND,MX)
R888	1-216-821-11	METAL CHIP	1K 5% 1/10W	R942	1-216-825-11	METAL CHIP	2.2K 5% 1/10W
R889	1-216-845-11	METAL CHIP	100K 5% 1/10W				(EXCEPT US,CND,MX)
R890	1-216-845-11	METAL CHIP	100K 5% 1/10W				< RELAY >
R891	1-216-845-11	METAL CHIP	100K 5% 1/10W	△ RY901	1-755-332-11	RELAY (EXCEPT US,CND,MX)	
R892	1-216-864-11	METAL CHIP	0 5% 1/10W				< TRANSFORMER >
R893	1-216-845-11	METAL CHIP	100K 5% 1/10W	△ T901	1-437-732-11	TRANSFORMER, POWER (US,CND,MX)	

The components identified by mark △ or dotted line with mark △ are critical for safety. Replace only with part number specified.	Les composants identifiés par une marque △ sont critiques pour la sécurité. Ne les remplacer que par une pièce portant le numéro spécifié.
--	--

# HT-BE1/SA-WBE1/SS-BE1

Ver 1.2

## MAIN

Ref. No.	Part No.	Description	Remark
△ T901	1-437-733-11	TRANSFORMER, POWER (EXCEPT US,CND,MX)	
△ T902	1-437-730-11	TRANSFORMER, POWER (EXCEPT US,CND,MX)	
< THERMISTOR >			
△ TH901	1-803-806-31	THERMISTOR, NTC	
< VIBRATOR >			
X501	1-567-865-11	VIBRATOR, CRYSTAL (12MHz)	
X801	1-767-922-11	VIBRATOR, CERAMIC (16MHz)	
X803	1-795-126-21	VIBRATOR, CRYSTAL (12.288MHz)	
X804	1-795-363-21	VIBRATOR, CERAMIC (13.5MHz)	
*****			
MISCELLANEOUS			
*****			
△ 15	1-696-169-21	CORD, POWER (AEP,UK,SP,MY)	
△ 15	1-783-532-11	CORD, POWER (US,CND,MX)	
16	1-500-586-11	FILTER, CLAMP (FERRITE CORE)	
55	1-827-365-11	FLEXIBLE FLAT CABLE (14 CORE)	
FAN901	1-763-561-22	FAN, D.C.	
SP901	1-825-144-11	SPEAKER (13cm)	
*****			
ACCESSORIES			
*****			
	1-477-316-11	REMOTE COMMANDER (RM-BE1) (EXCEPT US)	
	1-477-316-21	REMOTE COMMANDER (RM-BE1) (US)	
	1-757-988-11	CORD, OPTICAL PLUG (US,CND,SP,MY,MX)	
△	1-770-019-11	ADAPTOR, CONVERSION PLUG 3P (UK)	
	1-823-915-11	CORD (WITH CONNECTOR) (3m) (GREEN)	
	1-823-915-21	CORD (WITH CONNECTOR) (8m) (BLUE)	
	1-823-915-31	CORD (WITH CONNECTOR) (8m) (GRAY)	
	1-823-915-41	CORD (WITH CONNECTOR) (3m) (WHITE)	
	1-823-915-51	CORD (WITH CONNECTOR) (3m) (RED)	
	4-240-621-11	MANUAL, INSTRUCTION (ENGLISH) (UK)	
	4-240-621-21	MANUAL, INSTRUCTION (ENGLISH,FRENCH, SPANISH) (CND,SP,MY,MX)	
	4-240-621-31	MANUAL, INSTRUCTION (ENGLISH,FRENCH, GERMAN,SPANISH) (AEP)	
	4-240-621-41	MANUAL, INSTRUCTION (DUTCH,SWEDISH, ITALIAN,POLISH) (AEP)	
	4-240-621-51	MANUAL, INSTRUCTION (DANISH,FINNISH) (AEP)	
	4-240-621-61	MANUAL, INSTRUCTION (RUSSIAN) (AEP)	
	4-240-621-71	MANUAL, INSTRUCTION (ENGLISH) (US)	
	4-240-964-01	LID, BATTERY CASE (for RM-BE1) (EXCEPT US)	
	4-240-964-11	LID, BATTERY CASE (for RM-BE1) (US)	

<p>The components identified by mark △ or dotted line with mark △ are critical for safety. Replace only with part number specified.</p>	<p>Les composants identifiés par une marque △ sont critiques pour la sécurité. Ne les remplacer que par une pièce portant le numéro spécifié.</p>
---	---

MEMO

