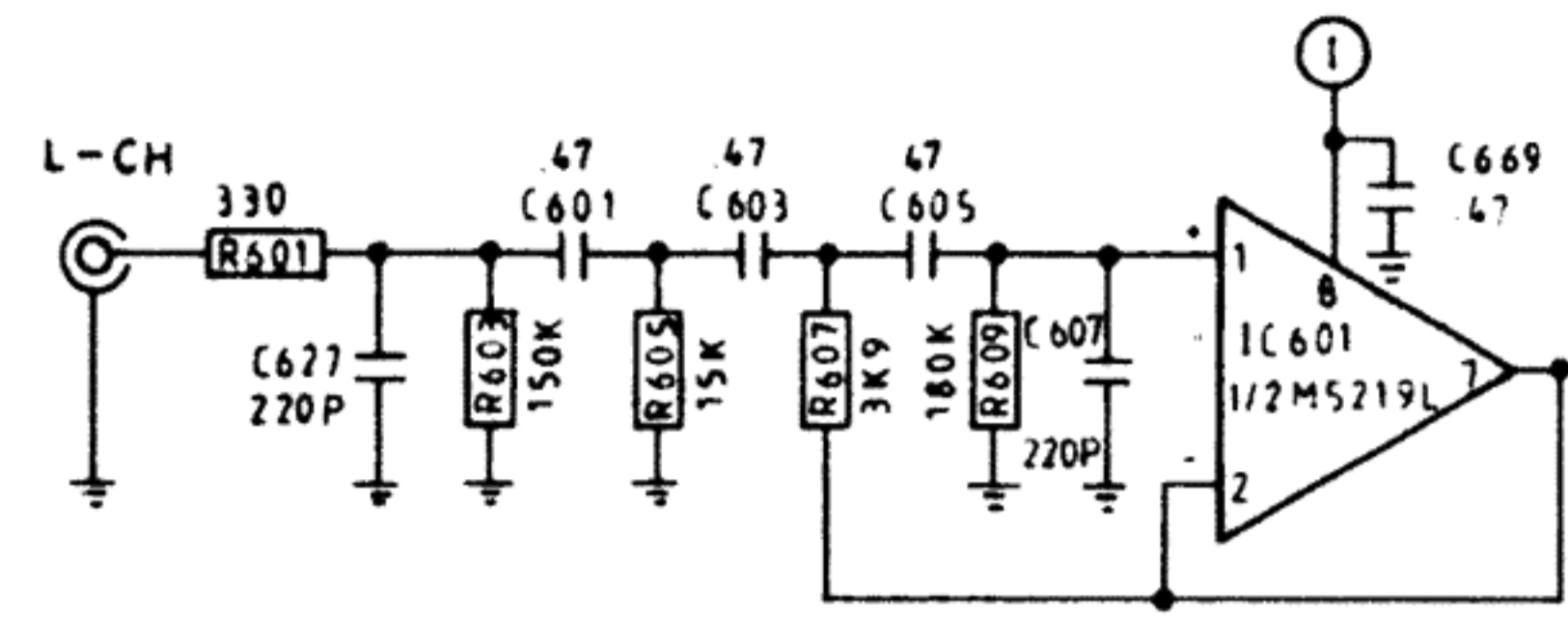


HiFi ENGINE[®]

For more Hi-Fi manuals and set-up information
please visit www.hifiengine.com

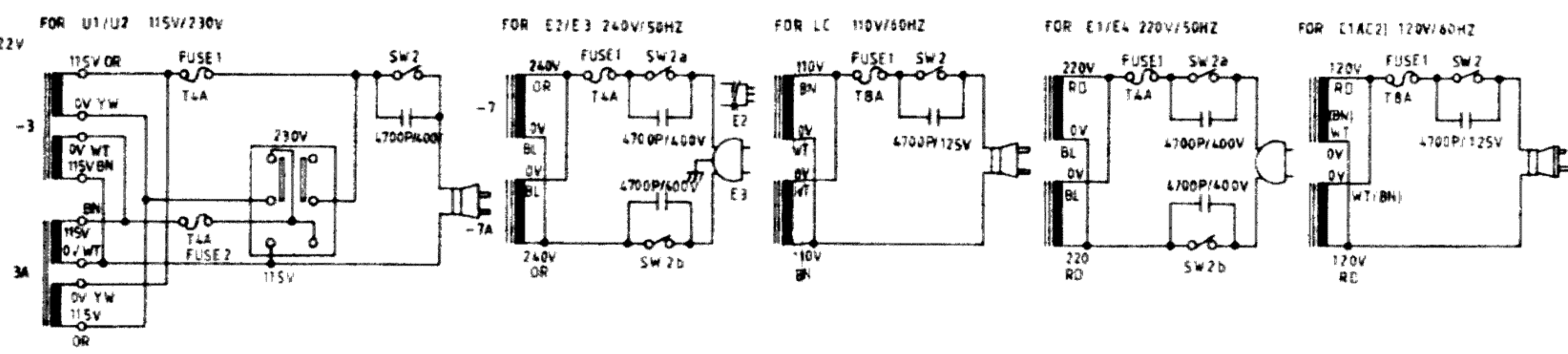
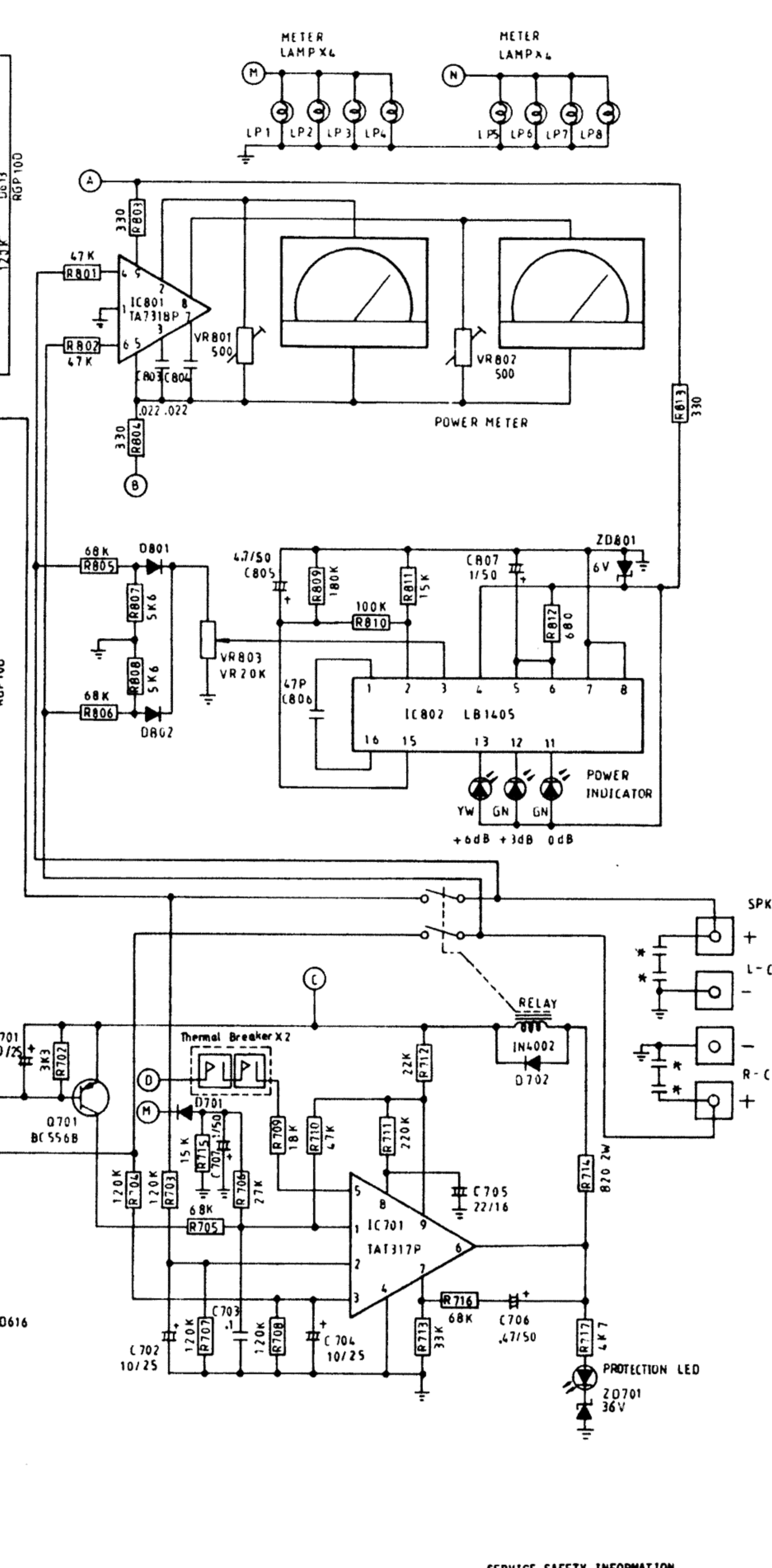
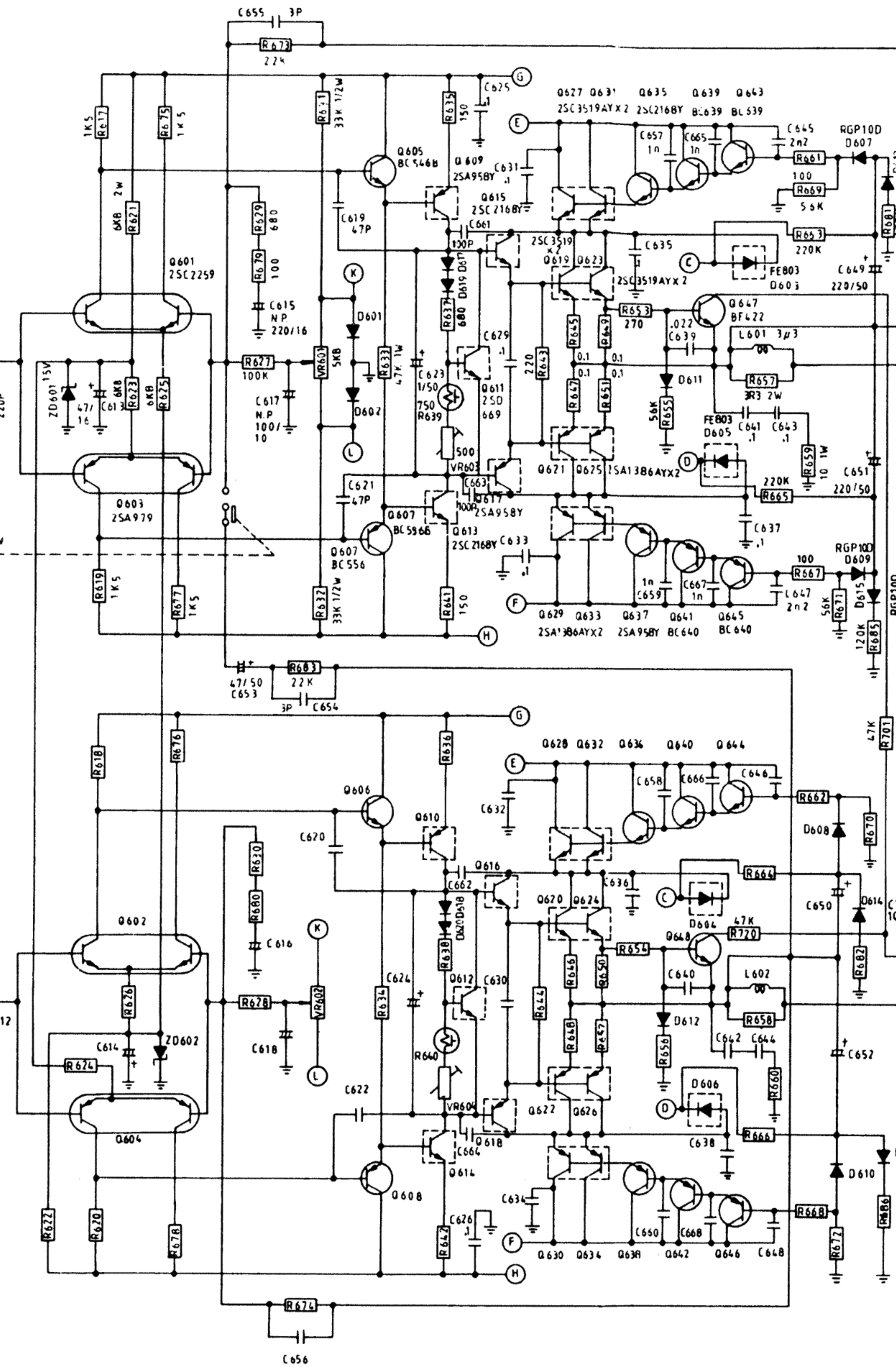
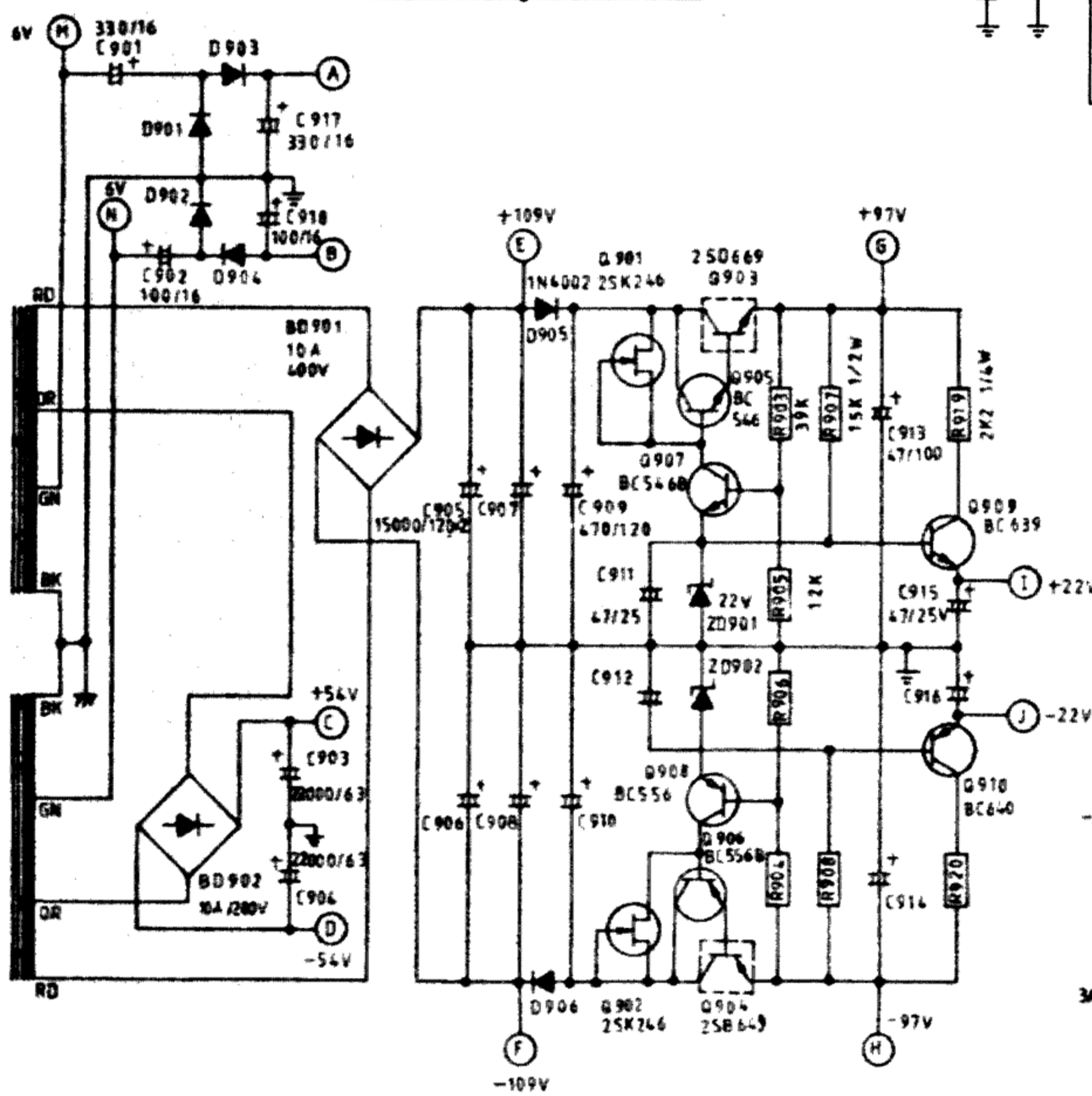
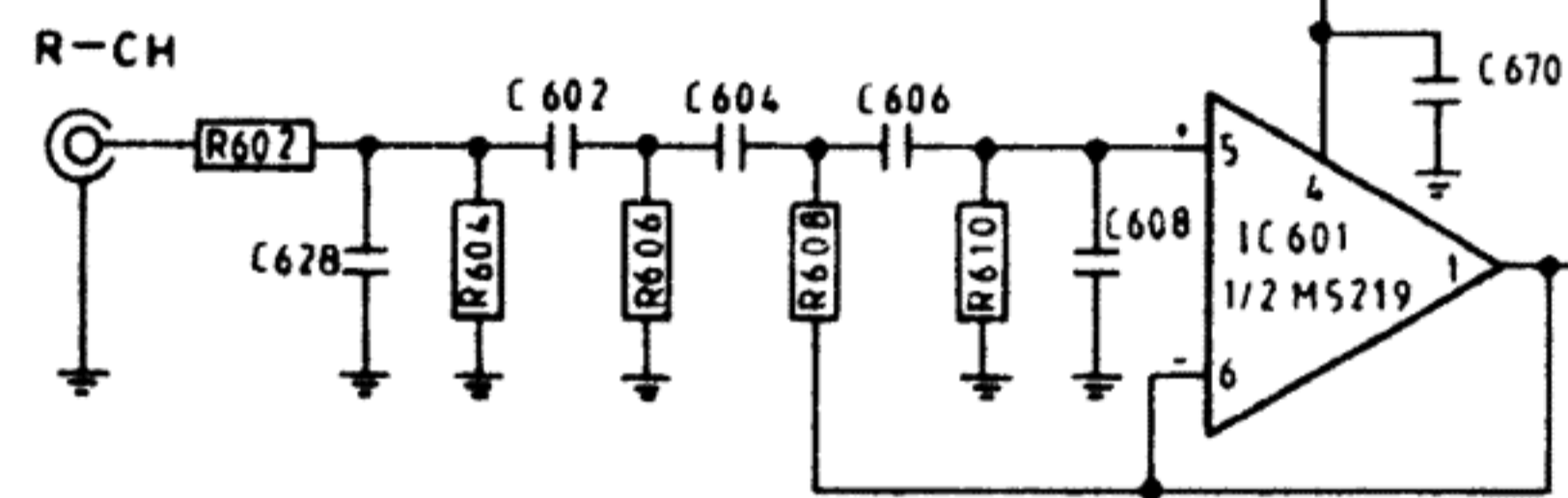
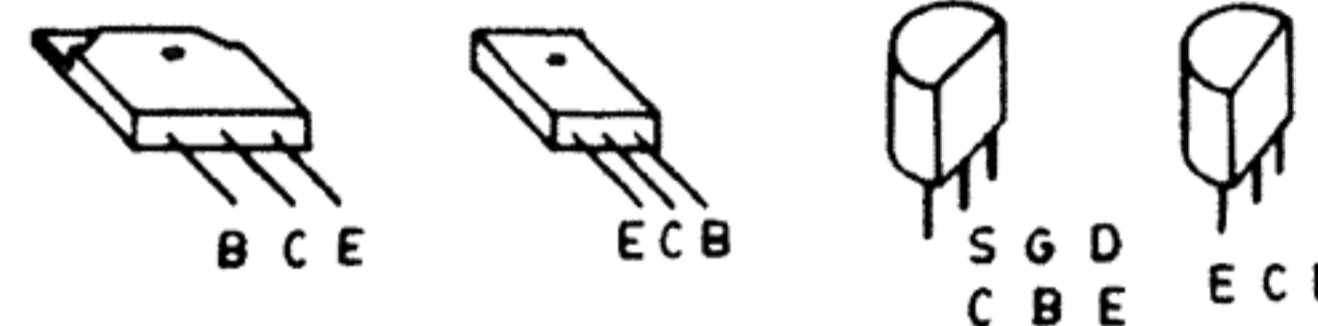
CIRCUIT DIAGRAM



NOTE:

- 1 ALL RESISTOR ARE IN OHM 1/4W ± 5% CARBON UNLESS OTHERWISE SPECIFIED.
- 2 CAPACITANCE ARE IN μF UNLESS OTHERWISE SPECIFIED
- 3 ALL DIODE ARE IN4148 UNLESS OTHERWISE SPECIFIED.
- 4 □ MEAN MOUNT ON HEAT SINK
- 5 * E5 ONLY
- SW1a, b BRIDGING SW
- SW2 POWER

- VR601/VR602 OFFSET
 VR603/VR604 IDLE LEVEL ADJ
 VR803 LED LEVEL ADJ
 VR801/VR802 METER LEVEL ADJ
- | | | | | |
|----------------|---------|-------|----------|---------------------|
| 2SB649, 2SD669 | 12SK246 | BC639 | 2SA958Y | FAST RECOVERY DIODE |
| 2SA1386AY | 2BC546B | BC640 | 2SC2168Y | |
| 2SC3519AY | BC556B | BF422 | BF423 | |



SERVICE SAFETY INFORMATION

- *The components that are identified by shading on the schematic diagram and by shading/mark Δ on the parts list are used to prevent shock, fire hazard and excessive X-radiation.
- *All of these critical components must be replaced only with the same type identical to those in the schematic diagram and parts list.
- *Make appropriate leakage current or resistance measurements to determine that exposed parts are properly insulated from the supply circuit, the leakage current at any accessible part shall be less than 0.5mA, and the measurement circuit is to be as shown below.

