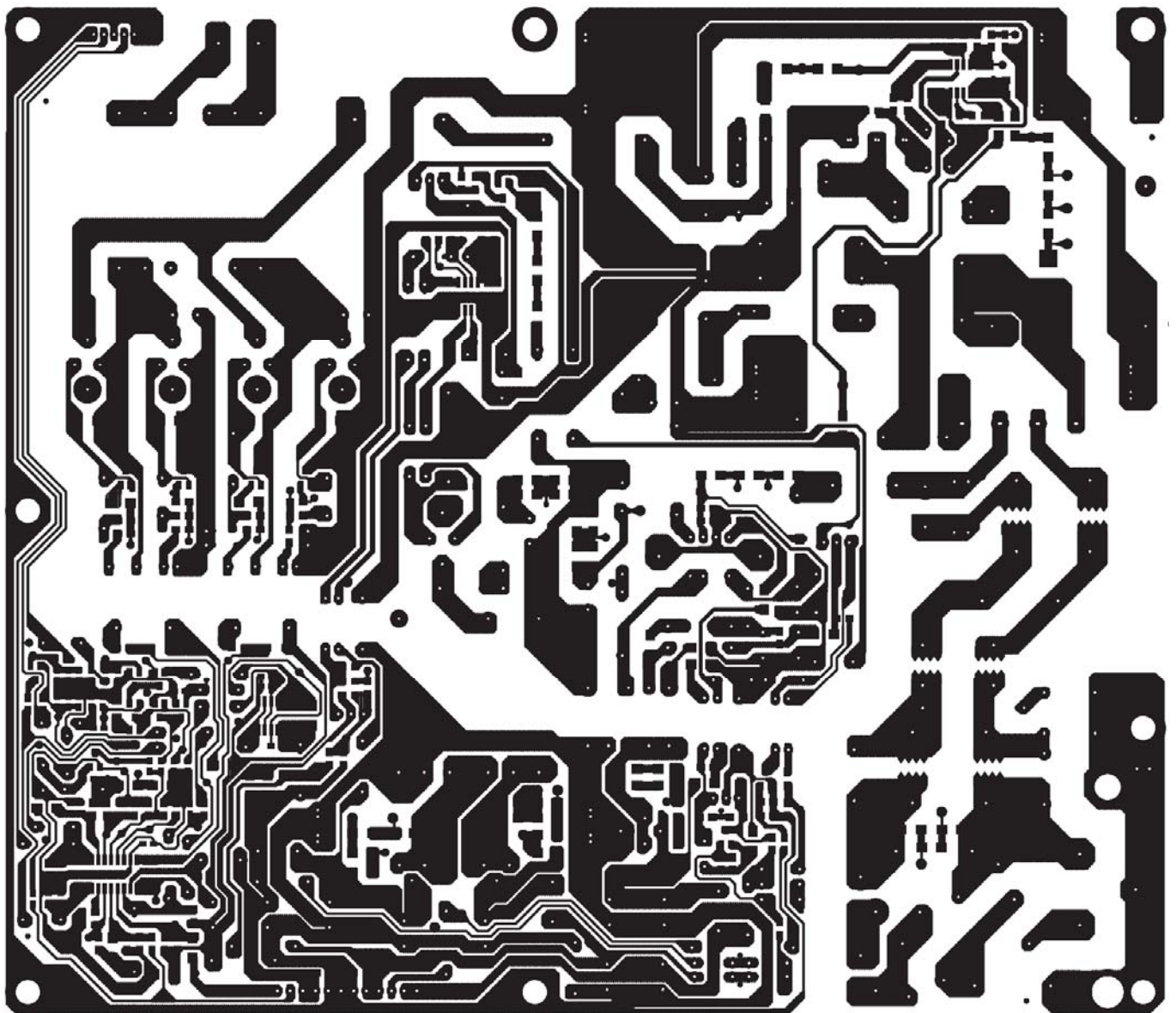
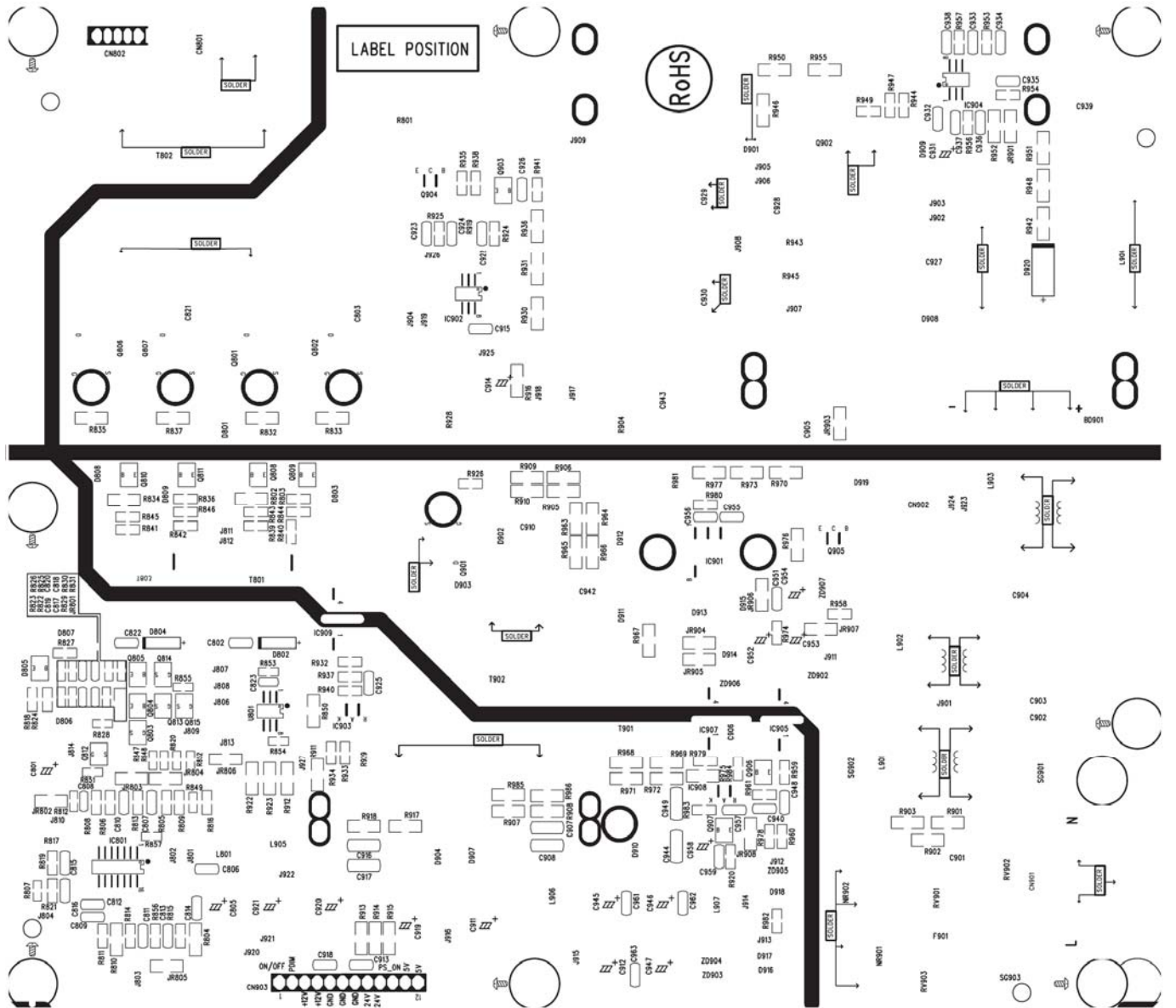
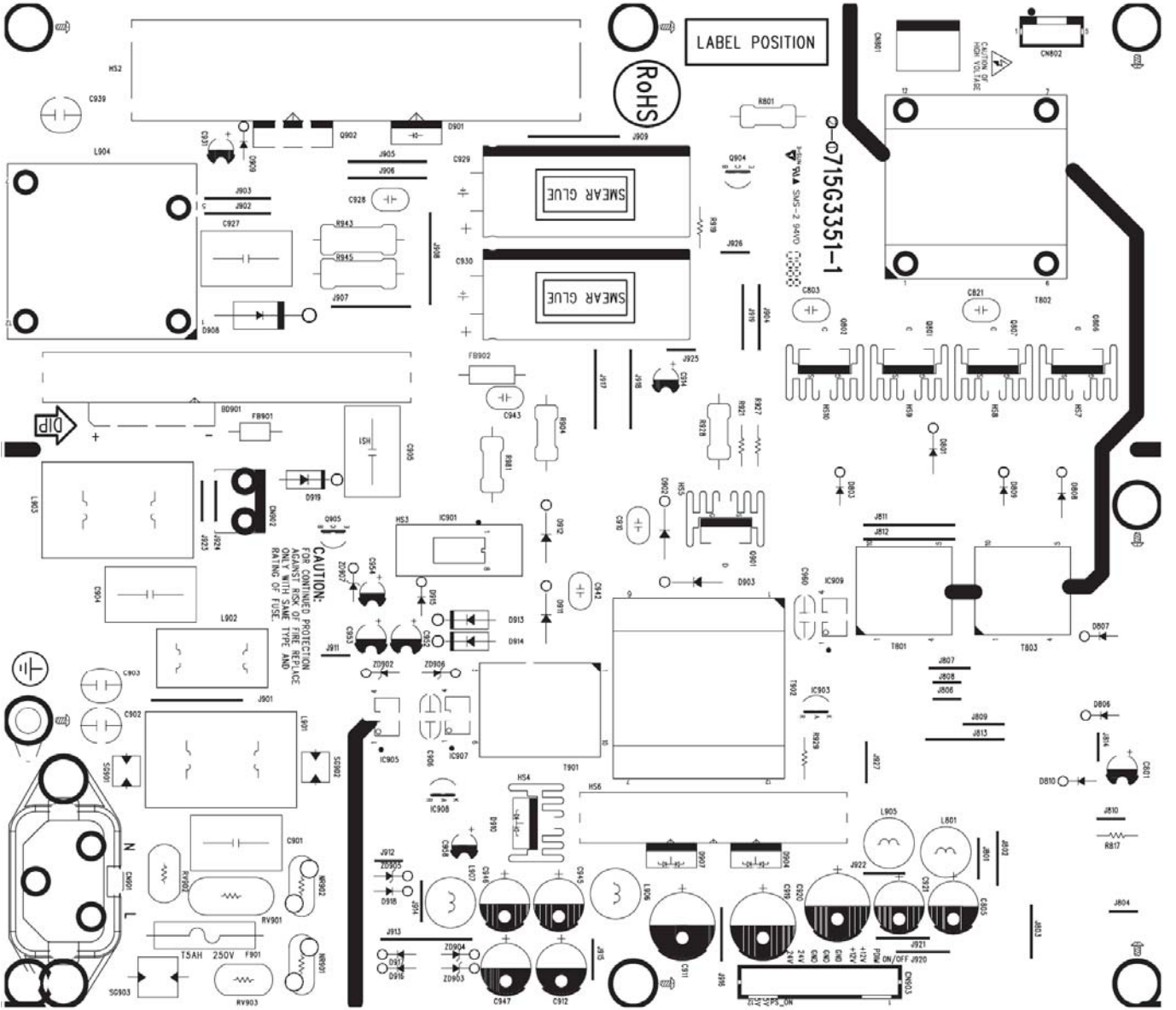


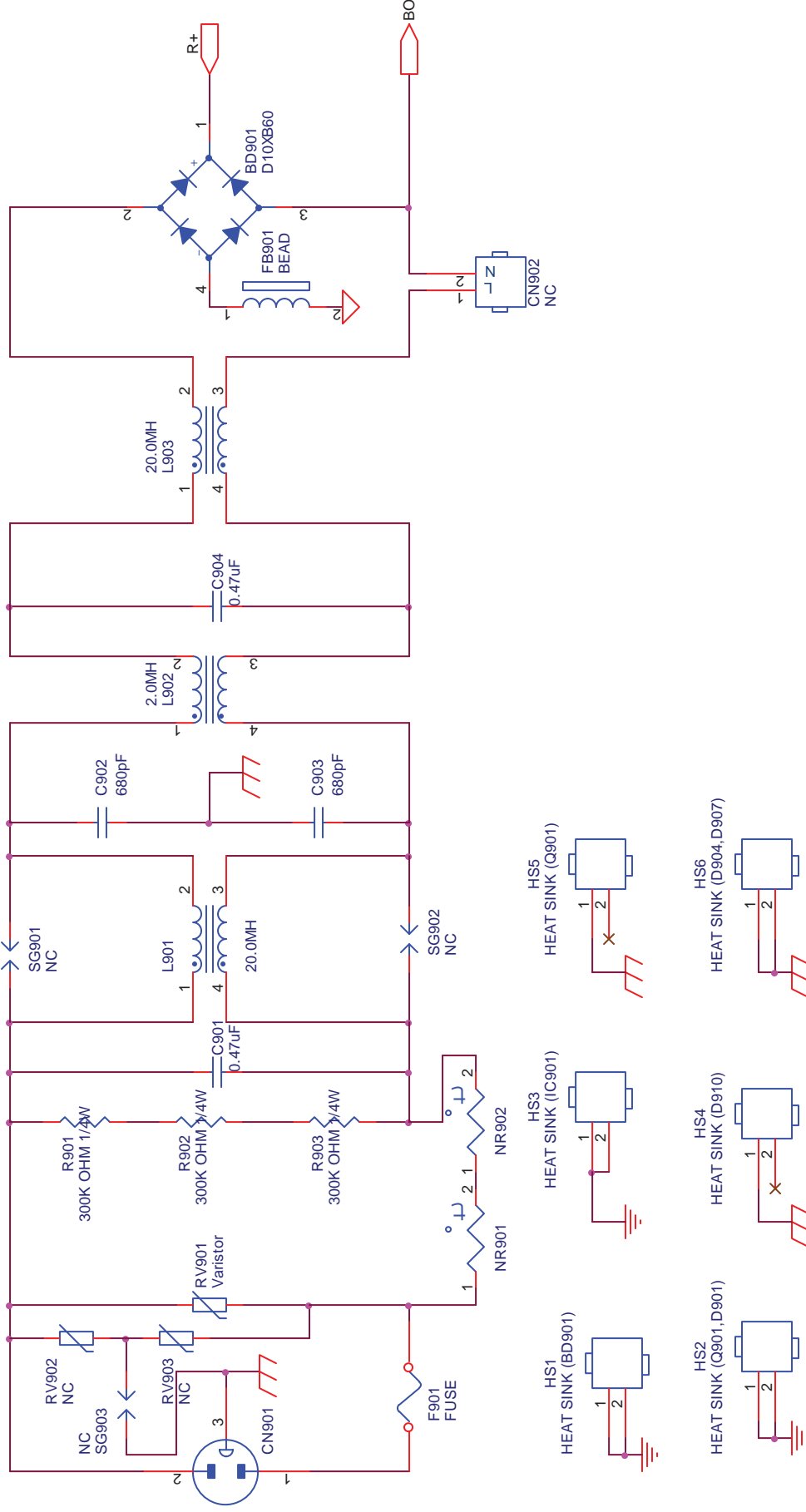
6.2 Power Board

715G3351 1

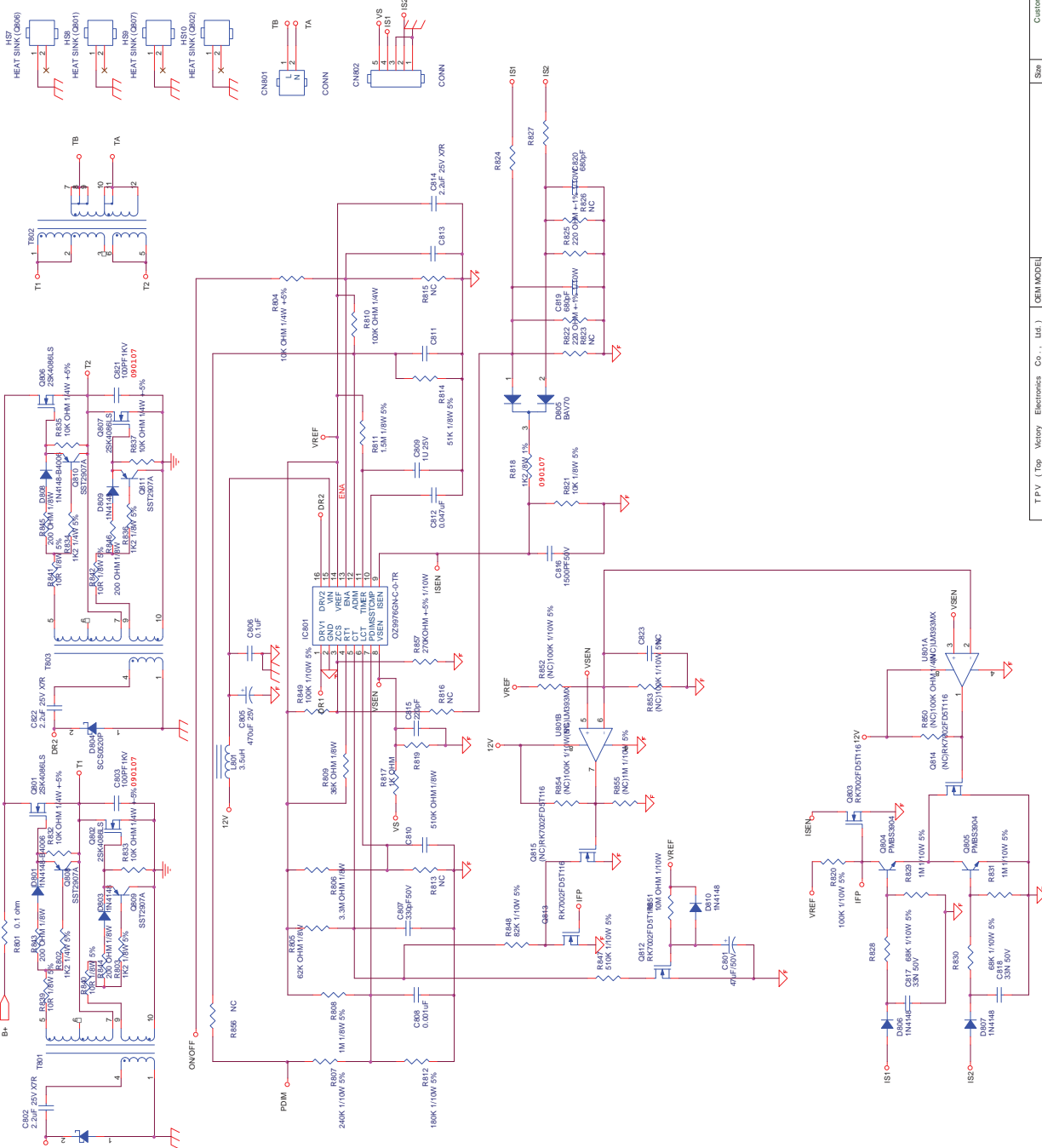




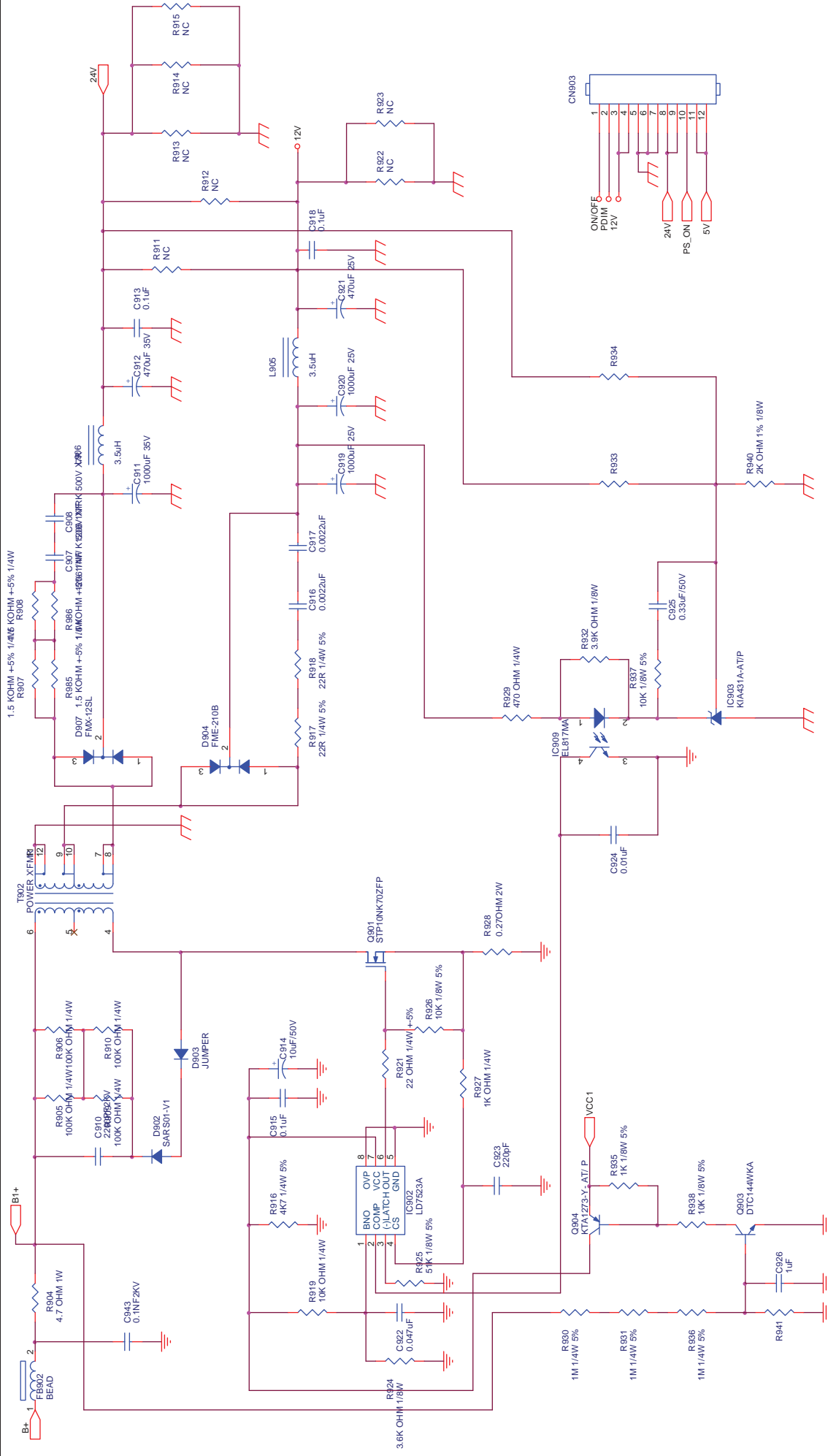




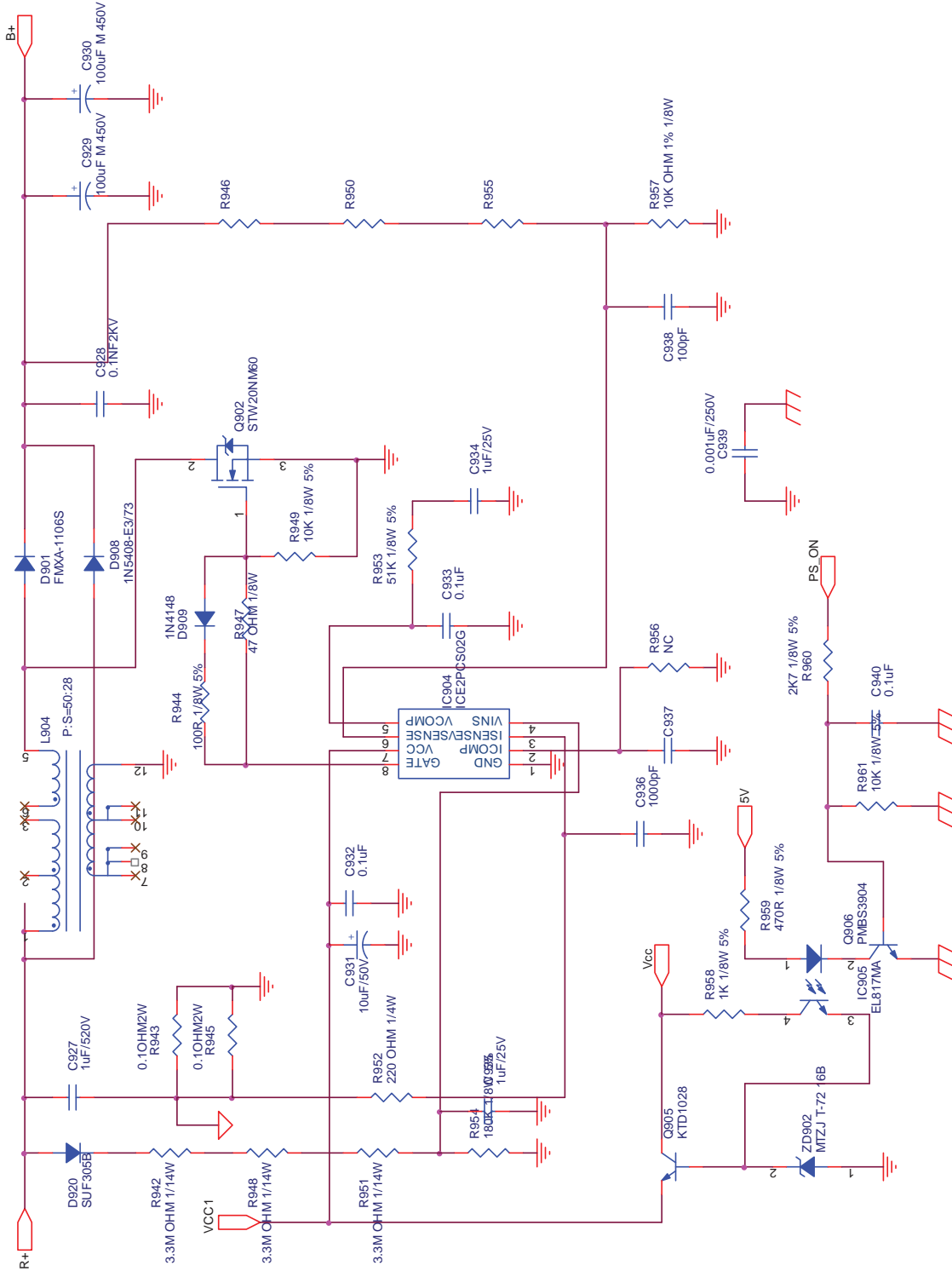
TPV (Top Victory Electronics Co., Ltd.)		OEM MODEL	Size
結構圖		TPV MODEL	Rev
Key Component	02.ACside	PCB NAME	Rev
Date	Monday, February 16, 2009	Sheet	Rev
		2 of 6	稱參
			<稱參>
			1.0
			A



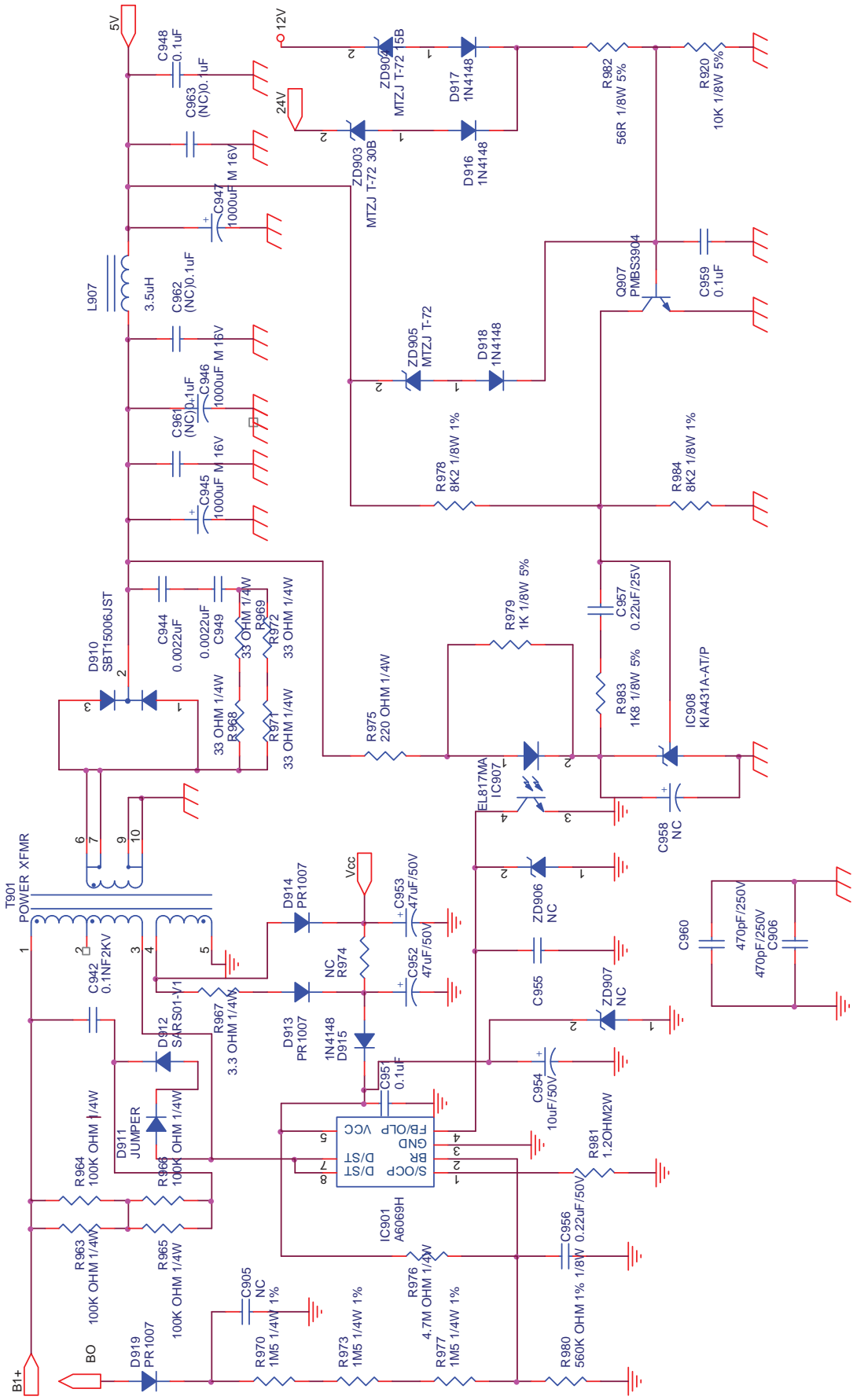
TPV (Top)	Victory Electronics Co., Ltd.	DEM MODEL	Rev	Custom
TPV (Bottom)	03 Inverter Control	71EG33F1H	Rev	1.0
File Comment	Monday, February 16, 2009	Sheet	3 of 6	
DATE			Rev	49



TPV (Top Victory Electronics Co., Ltd.)	OEM MODEL	Size	B
话隔瓜 测 服	TPV MODEL	Rev	1.0
Key Component	PCB NAME	71553351-H	<修参>
Date	Monday, February 16, 2009	Sheet	4 of 6



TPV (Top Victory Electronics Co., Ltd.)	OEM MODEL	Size	Custom
结 隔 瓜 屏 版	TPV MODEL	Rev	1.0
Key Component	PCB NAME	标题	<标题>
Date	Monday, February 16, 2009	Sheet	4 of 6



TPV (Top View)	Victory Electronics Co., Ltd.	OEM MODEL	Size	Custom
經隔瓜細腹		TPV MODEL	Rev	1.0
Key Component	06.STANDBY	PCB NAME	稱參	<稱參>
Date	Monday, February 16, 2009	Sheet	6 of 6	