

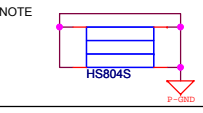
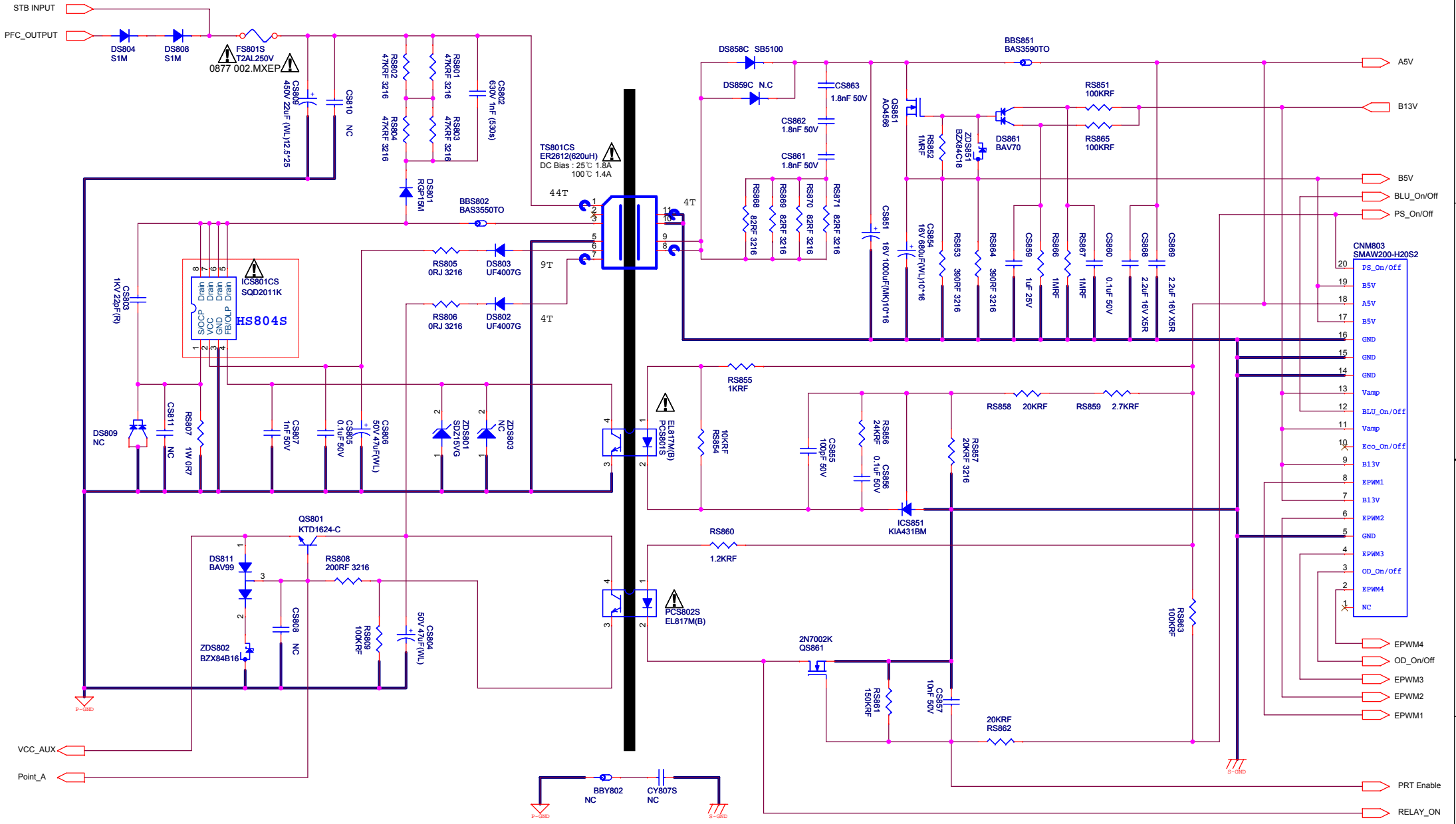
Remake  
 \*\* No marking resistor 1608 1% SMD  
 \*\* No marking capacitor 1608 SMD  
 \*\* NC : No Connection

PL&회로도&실물&BOM 4점 정합함을 보증함  
 Comply with the threshold of substances which are specified in 0QA\_209

		MODEL NAME <b>L42X1Q_DHS</b>	DATE Thursday, January 09, 2014
PART NUMBER <b>BN44-00622B</b>		SCALE <b>A3</b>	DRAWN <b>J.G.YEOM</b>
		CHECKED <b>R.F</b>	DESIGNED <b>T.H.KANG</b>
		Comment/Rev <b>&lt;?&gt;</b>	APPROVED <b>S.G.HWANG</b>

NOTE

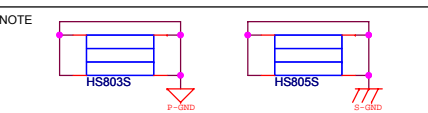
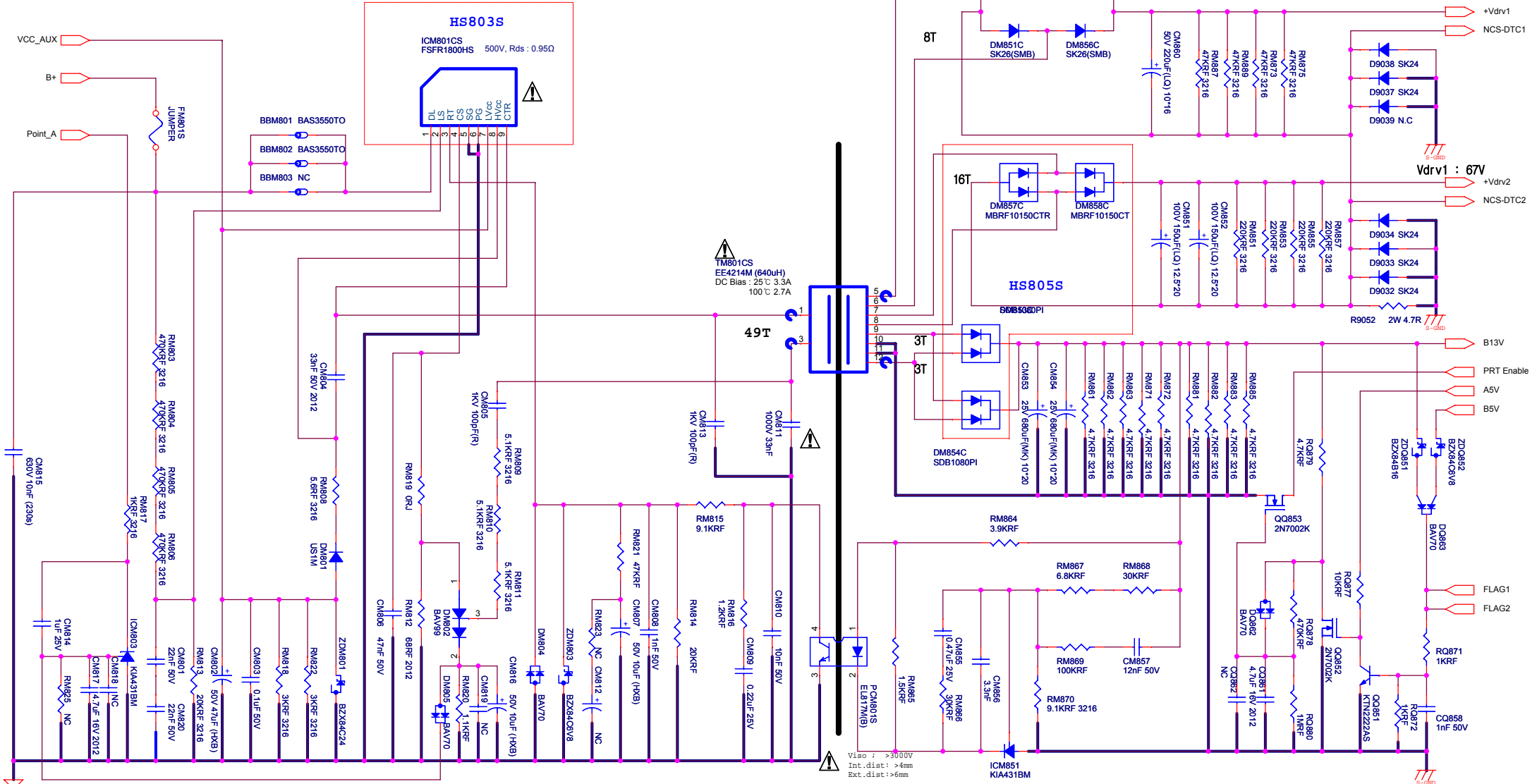
# STAND BY



Remake  
 \*\* No marking resistor 1608 1% SMD  
 \*\* No marking capacitor 1608 SMD  
 \*\* NC : No Connection

PL&회로도&실물&BOM 4점 정합함을 보증함  
 Comply with the threshold of substances which are specified in 0QA\_209

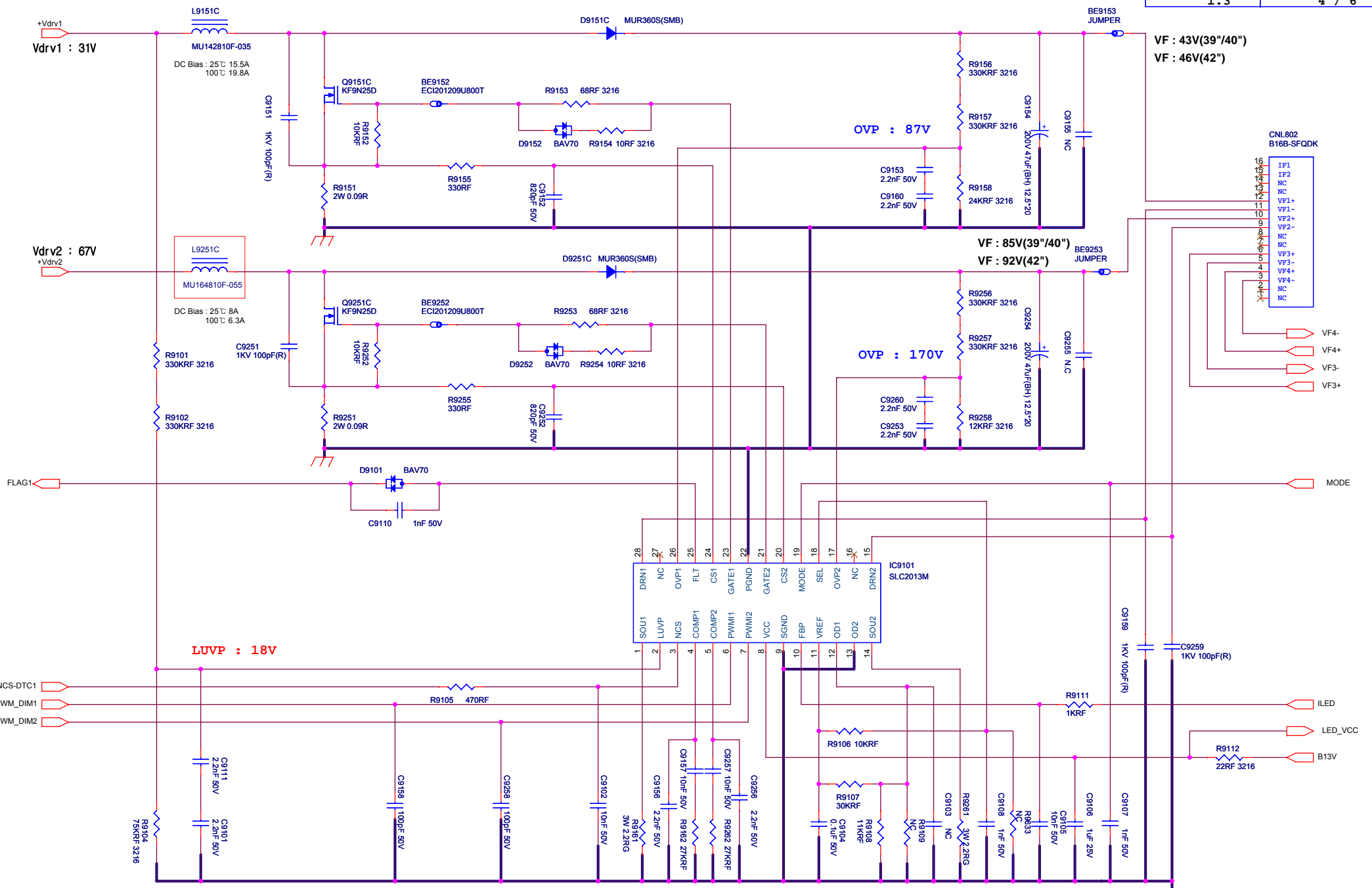
	MODEL NAME	SAMSUNG ELECTRONICS CO.,Ltd.	DATE	Thursday, January 09, 2014
	SCALE	A3	DESIGNER	J.G.YEOM
	FOR NUMBER	L42X1Q_DHS	CHECKER	T.H.KANG
	REVISION	BN44-00622B	APPROVED	S.G.HWANG



Remake  
 \*\* No marking resistor 1608 1% SMD  
 \*\* No marking capacitor 1608 SMD  
 \*\* NC : No Connection

PL&회로도&실물&BOM 4점 정합함을 보증함  
 Comply with the threshold of substances which are specified in 0QA\_209

		MODEL NAME <b>L42X1Q_DHS</b>	SCALE <b>A3</b>	DATE Thursday, January 09, 2014
PART NUMBER <b>BN44-00622B</b>		DRAWN BY <b>R.F</b>	CHECKED BY <b>T.H.KANG</b>	DESIGNED BY <b>S.G.HWANG</b>



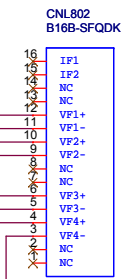
VF : 43V(39"/40")  
VF : 46V(42")

OVP : 87V

VF : 85V(39"/40")  
VF : 92V(42")

OVP : 170V

LUV1 : 18V

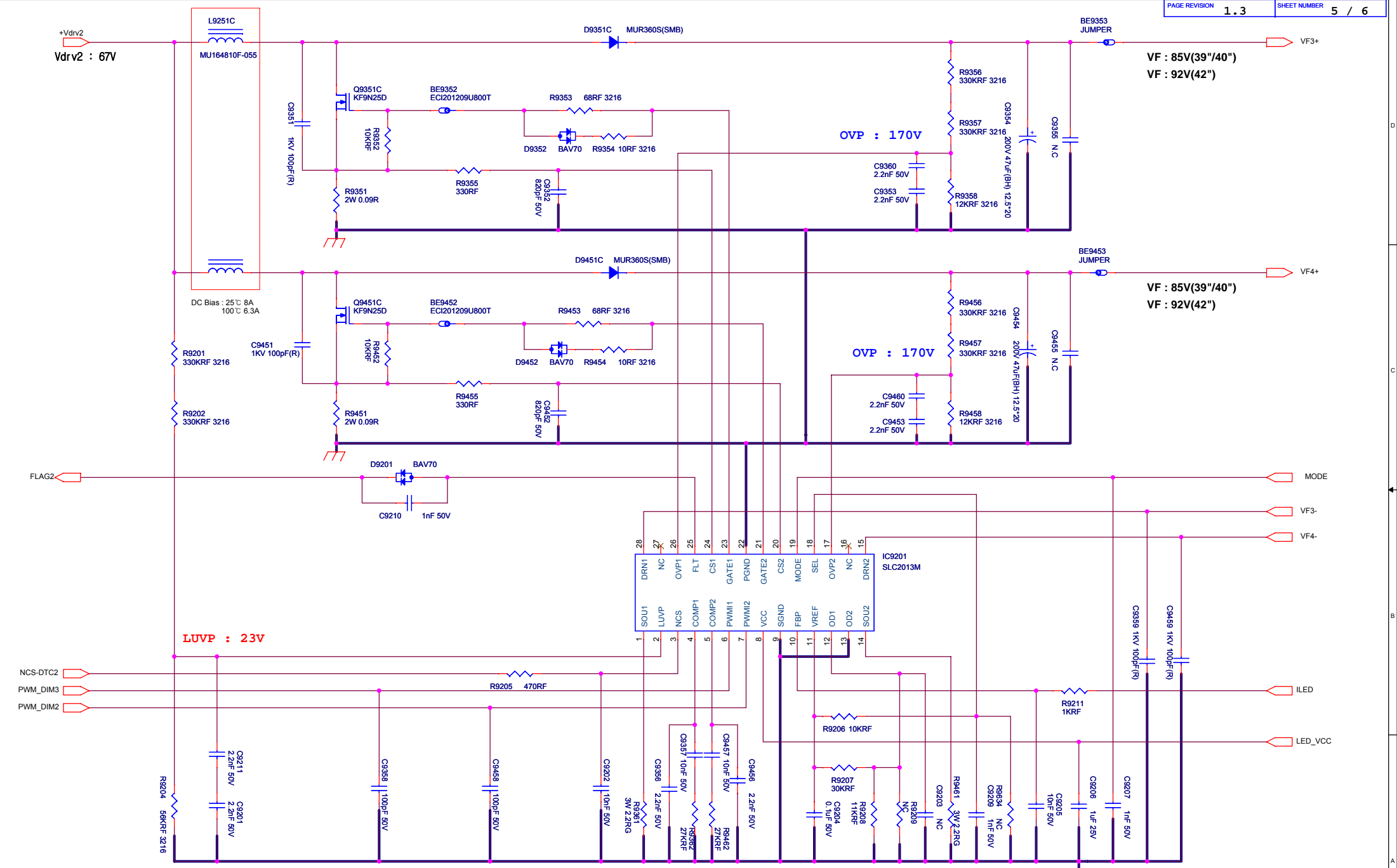


PL&회로도&실물&BOM 4점 정합함을 보증함  
Comply with the threshold of substances which are specified in 0QA\_209

NOTE

- \*\* NC : No Connection
- \*\* No marking resistor 1608 1% SMD
- \*\* No marking capacitor 1608 X7R SMD

	USER SAMSUNG ELECTRONICS CO.,Ltd.	DATE Thursday, January 09, 2014
	MODEL NAME L42X1Q_DHS	SCALE A3
	JOB NUMBER BN44-00622B	DESIGNER T.H.KANG
		APPROVED S.G.HWANG



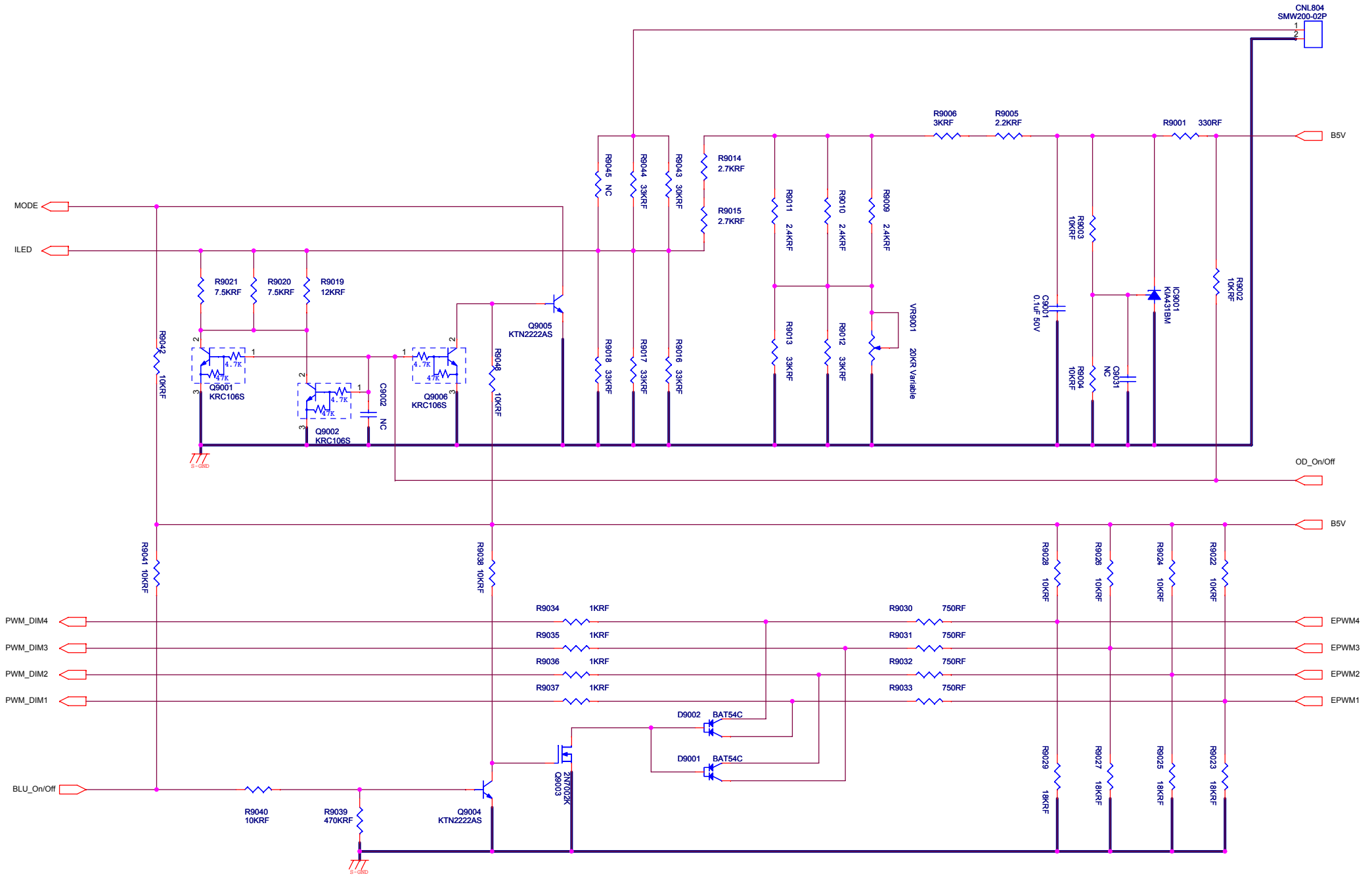
PL&회로도&실물&BOM 4점 정합함을 보증함  
 Comply with the threshold of substances which are specified in 0QA\_209

NOTE

- \*\* NC : No Connection
- \*\* No marking resistor 1608 1% SMD
- \*\* No marking capacitor 1608 X7R SMD

	USER SAMSUNG ELECTRONICS CO.,Ltd.	DATE Thursday, January 09, 2014
	MODEL NAME L42X1Q_DHS	SCALE A3
	PCB NUMBER BN44-00622B	DESIGNER T.H.KANG
		APPROVED S.G.HWANG

# LED\_OD & DIMMING



PL&회로도&실물&BOM 4점 정합함을 보증함  
 Comply with the threshold of substances which are specified in 0QA\_209

NOTE

\*\* NC : No Connection  
 \*\* No marking resistor 1608 1% SMD  
 \*\* No marking capacitor 1608 X7R SMD

	USER	SAMSUNG ELECTRONICS CO.,Ltd.	DATE	Thursday, January 09, 2014
	MODEL NAME	L42X1Q_DHS	SCALE	A3
	FOR NUMBER	BN44-00622B	DESIGNER	T.H.KANG
			APPROVED	S.G.HWANG