

SAMSUNG

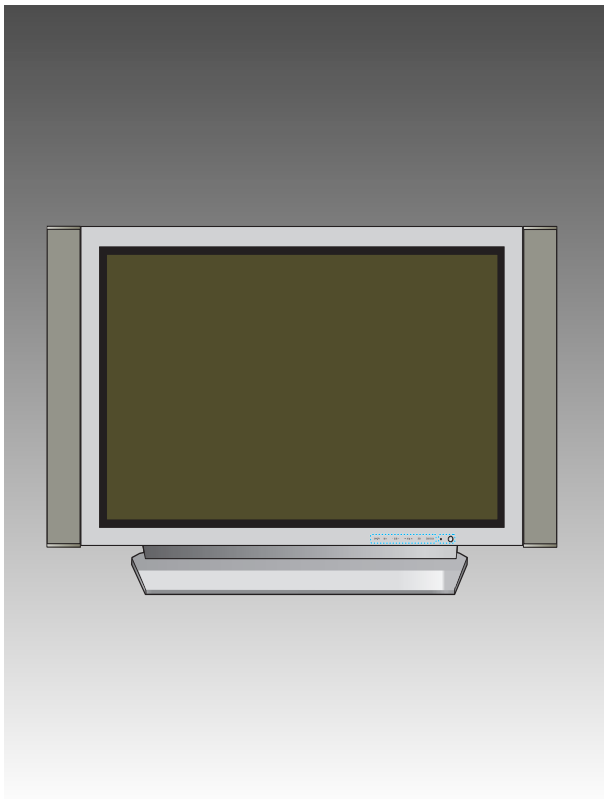
PLASMA DISPLAY TV

Chassis : D58A(P)

Model : PS42P3SX/XEC

SERVICE *Manual*

PLASMA DISPLAY TV



CONTENTS

1. Alignment and Adjustments
2. Exploded View and Parts List
3. Electric Parts List
4. Schematic Diagrams



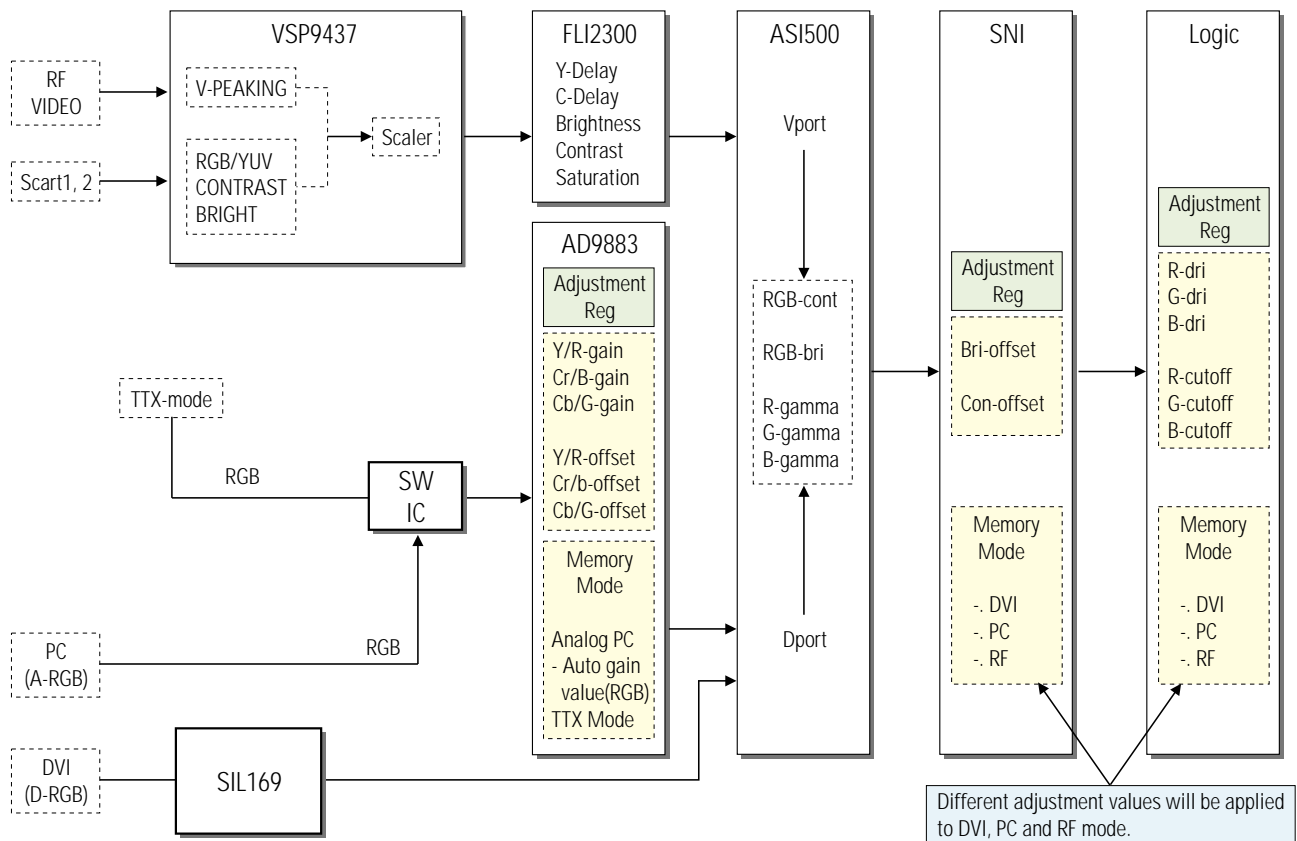
ELECTRONICS

1. Alignment and Adjustments

1-1 The Fourth Review of PS-42P3S PAL White Balance on Europe-Bound dels

1-1-1 W/B to be adjusted in 3 modes: DVI, PC, Video (CVBS)

* Micom will be set to store additional W/B related data in each mode in accordance with the memory mode of the following block diagrams during the W/B adjustment.



1-1-2 Suggested adjustment methods

(DVI, PC: MSPG-925LTH 640x480@59.94Hz, Video & RF: MSPG-925LTH, PAL-BDGIH 780x576@50Hz)

1-1-2(A) ADJUSTMENT OF DVI WHITE BALANCE

1. Adjust the timing to "MSPG-925LTH 640x480@59.94Hz" and load the Samsung White Balance Pattern.
2. Enter into Factory Mode.
Select 6.SNI for brightness control. Adjust the High Light with 01.Contrast Offset, and set to 00. Set Low Light to "Bright offset"
3. To adjust the Color Coordinate select 9. LOGIC. Select 00.R Drive and 02.B Drive to adjust the High Light Color Coordinate. Keep the 01.G-Drive set at the default value.
Adjust 03. R Cutoff and 05. B Cutoff to adjust the Low Light Color Coordinate. Keep the 04. G Cutoff set at the default value.

1-1-2(B) ADJUSTMENT OF PC WHITE BALANCE

1. Adjust the timing to "MSPG-925LTH 640x480@59.94Hz" and load the 16Gray ramp pattern.
...Execute [07. Auto Gain] while in Factory Mode 7.AD9883.
/The position and pixel clock must be accurately adjusted before making the Analog Auto adjustment.\
2. Adjust the timing to MSPG-925LTH 640x480@59.94Hz, and load the Samsung White Balance Pattern.
Select 6.SNI for brightness control. Adjust the High Light with the 01.Contrast offset. And set it to 00. Set the Low Light to "Bright offset"
3. To adjust the Color Coordinate, select 9. LOGIC. Select 00.R Drive and 02.B Drive to adjust the High Light Color Coordinate. Keep the 01.G-Drive set at the default value.
Adjust 03. R Cutoff and 05. B Cutoff to adjust the Low Light Color Coordinate. Keep the 04. G Cutoff set at the default value.

1-1-2(C) ADJUSTMENT OF VIDEO (CVBS) & RF WHITE BALANCE

1. Adjust the timing to "MSPG-925LTH 640x480@59.94Hz" and load the Samsung White Balance Pattern.
(Use the UHF C21 Toshiba Pattern if it's adjusted with a RF signal instead of MSPG-925LTH)
Set the Digital NR to Picture [On] in the menu.
2. Enter into Factory Mode.
"Select 6.SNI for brightness control. Adjust the High Light with the 01.Contrast offset, and set to 00. Set Low Light to "Bright offset".
3. To adjust the Color Coordinate, select 9. LOGIC. Select 00.R Drive and 02.B Drive to adjust the High Light Color Coordinate. Keep the 01.G-Drive set at the default value.
Adjust 03. R Cutoff and 05. B Cutoff to adjust the Low Light Color Coordinate. Keep the 04. G Cutoff set at the default value.

1-1-2(D) TTX MODE WHITE BALANCE ADJUSTMENT

1. Adjust the timing to PAL-BDGI 780x576@50Hz with MSPG-925LTH, and load the Samsung White Balance pattern.
(When adjusting with RF signals instead of MSPG-925LTH, use the Development Team's UHF C21 Toshiba pattern.)
2. Go into the TTX mode by selecting AD9883 in the Factory mode.(Automated remote control 2f-->a)
Set the adjustment value to be the same as the Video value, as it is basically similar to Video. Change and adjust the R, G, B-Gain for the High Light, and the R, G, B-offset for the Low Light to adjust the brightness and color coordinates.

1-1-3 Factory Mode Initial Value (: adjustment value with W/B adjustment)

1. VSP9437-1				2. VSP9437-2				3. FLI2300(DEINTERLACER)							
V-PEAKING	16	NTSC 4.4	27	V-PEAKING	16			V-PEAKING	16			Y DELAY	05		
HPLL SPEED	01	PAL 60	27	HPLL SPEED	01			HPLL SPEED	01			C DEKAT	12		
RGB/YUV CONT.	35	PAL M/N	01	PAL	01			PAL	01			CONTRAST	90		
RGB/YUT BRI.	00	PAL	01	SECAM	27			SECAM	27			BRIGHTNESS	185		
YUV SATCB	26	SECAM	27	NTSC	01			NTSC	01			SATURATION	110		
YUV SATCR	26	NTSC	01	PAL AV	01			PAL AV	01						
PAL B/G	01	NTSC 4.43	27	SECAM AV	27			SECAM AV	27						
PAL D/K	01	PAL 60	27	NTSC AV	01			NTSC AV	01						
PAL I	01	NR	00												
SECAM B/G	27														
SECAM D/K	27														
SECAM L"/L	27														
NTSC M	01														
4. ASI500-1(SCALER MAIN/OSD)DVI/PC/RF								5. ASI500-2(SCALER PIP)							
R CONTRAST	(30/30/32)			FILTER LC	00			PIP R CONT	32						
G CONTRAST	(30/30/32)			FILTER YPASS	00			PIP G CONT	32						
B CONTRAST	(30/30/32)			R,G,B GAMMA	32			PIP B CONT	32						
R BRIGHTNESS	00			DVI(32)/VIDEO(32)/ PC(32)				PIP R BRIGHT	00						
G BRIGHTNESS	00			H POSITION	00			PIP G BRIGHT	00						
B BRIGHTNESS	00			V POSITION	00			PIP B BRIGHT	00						
TEXT ALPHA	01			H SIZE	00			PIP FILTER LC	00						
TEXT THRESHOLD	07			V SIZE	00			PIP FILTER ML	00						
FILTER ML	00			OVERSCAN R	80			PIP FILTER MR	00						
FILTER MR	00			OVERSCAN G	80			PIP FILTER UC	00						
FILTER FR	00			OVERSCAN B	80										
FILTER MC	16														
FILTER UC	00														
6. SNI(PICTURE ENHANCER) DVI/PC/RF								7. AD9883 (AD CONVERTER) PC/TTX/DTV							
Bright offset	00			RED COMPENSA	616					PC	TTX				
Contrast offset	00			BLUE COMPENSA	616					-----					
NR SCALE MAX	64			WTE GAIN	58			R GAIN	127	127					
NR SCALE MIN	18			RAST VSIZE	1023			G GAIN	127	127					
DE GAIN COR	03			RAST HSIZE	895			B GAIN	127	127					
DE GAIN CLIP	(90/90/60)			SHARP OFFSET	17			R,CR OFFSET	54	63					
CE UPPER	240			CLK DLY	00			G,Y OFFSET	54	63					
CE CUTOFF	64			H_POSI	20			B,CB OFFSET	54	63					
CE GAIN	48							VIDEO PATH	PC	TTX					
WTE Y THRE	230							AUTO COLOR	OFF						
R CTL	02														
SYNC MODE	01														
PATT SEL	01														

8. CXA2101(TTX MODE MIXER, RCA-DTV Color Converter)				9. LOGIC(PDP DRIVER) DVI/PC/RF			
PICTURE	20	SUB-BRIGHT	32	R DRIVE	140	APC VALUE	127
HUE	31	CR-OFFSET1	07	G DRIVE	130(Fixed)	ACTIVE VPOS	12
COLOR	16	CB-OFFSET1	07	B DIRVE	110	ACTIVE HPOS	19
BRIGHT	61	SUB-CONT	08	R CUTOFF	00	VSYNC POS	03
SHRPNESS	16	SUB-COL	08	G CUTOFF	00(Fixed)	HSYNC POS	32
R-DRIVE	04	SUB-HUE	08	B CUTOFF	00	VSYNC WIDTH	02
G-DRIVE	04	R-Y/R	13	GAMMA	01	HSYNC WIDTH	12
B-DRIVE	04	R-Y/B	15	GTS SET	01		
R-CUTOFF	32	G-Y/R	12	ERD MODE	02		
G-CUTOFF	32	G-Y/B	04	RANDOM NOISE	00		
B-CUTOFF	32			DIFF FILTER	01		
				APC	01		
				APC SET	00		
10. TP LOG-ASI(TEST PAL LOGIC/SCALER)				11. OPTION-1			
LOG PATTERN	00			Scart/RCA	Scart	PIX SHIFT	V
LOG HIGH LEVEL	00			CW/CS	CW	SHIFT TEST	OFF
LOG LOW LEVEL	00			Tele-Web	off	PIX NUMBER	02
ASI COLORBAR	00			Language Group	Europe	SHIFT LINE	04
				Language	English	SHIFT TIME	04
				ATM	ON	TEMP PROTECT	OFF
				Plug & Play	ON	SNI DEMO	ON
				Tuner(CE/VMB)	2-Tuner	SNI THROUGH	OFF
				LNA	ON	VIDEO MUTE	0
				Top TTX	off	OPTION 11	0
				TTX Group	W.Europe	SCREEN DIVISION	OFF
				High Deviation	off	LAST MEMORY	ON
				AGC	off		
12. OPTION-2							

1-1-4 Specifications of W/B Adjustment by Mode

		DVI	PC	Video or RF
H/L	x	285	285	285
	y	295	295	295
	Y(fL)	30	21	37.5
L/L	x	285	285	285
	y	295	295	305
	Y(fL)	1.2	0.9	1.6

MEMO

Table with columns: Level, Loc. No., Code No., Description ; Specification, Remark. Rows include components like C-CERAMIC, C-AL_SMD, and CONNECTOR-HEADER.

Table with columns: Level, Loc. No., Code No., Description ; Specification, Remark. Rows include components like DIODE-SWITCHING, DIODE-ZENER, and IC-DRAM.

Level	Loc. No.	Code No.	Description ; Specification	Remark	Level	Loc. No.	Code No.	Description ; Specification	Remark
4	ZD160	0403-001052	DIODE-ZENER;RD8.2MB,8.2V,7.7-8.64V,200mW						
4	ZD305	0403-001052	DIODE-ZENER;RD8.2MB,8.2V,7.7-8.64V,200mW						
4	ZD306	0403-001052	DIODE-ZENER;RD8.2MB,8.2V,7.7-8.64V,200mW						
3		BN63-00371A	SHIELD-CASE,TUNER;42P3,SPTE,T0.5	S.N.A					
3		BN63-00469A	SHIELD-CASE,ANALOG;42P3,SPTE,T0.5	S.N.A					
3		BN63-00274A	SHIELD-CASE,BOT;42P3,SPTE,T0.5	S.N.A					
2		AA39-00112D	LEAD CONNECTOR-ASSY;PDP,UL1007#26,UL/CSA						
2		AA39-00120H	LEAD CONNECTOR-ASSY;SIR-T165,UL1007#26,U						

ASSY COVER REAR

1		BN90-00389B	ASSY COVER REAR;PS42P3SX/XEC	S.N.A
2		BN96-00313A	ASSY COVER P-BACK,SUB;SPD-42P3H	S.N.A
3		BN72-00324P	SPONGE-EMI;42P3,SHIELD-FORM,,T1.5,D4,L18	S.N.A
3		BN72-00324N	SPONGE-EMI;42P3,SHIELD-FORM,,T4.0,D20,L3	S.N.A
3		BN72-00324M	SPONGE-EMI;50P3H,SHIELD-FORM,,0.1,15,60,	S.N.A
3		AA63-60122Q	SPACER-FELT;P3,FELT,L65,,,,,T0.5,D30,	S.N.A
3		BN63-00530A	COVER-BACK,SUB;42P3H,AL 5051,T1.2	S.N.A
3		BN61-00319A	BRACKET-POWER;50P3H,SECC,T1.5	S.N.A
2		BN96-00314A	ASSY COVER P-BACK;42P3H,AL 5052,T1.2	S.N.A
3		BN61-00202A	BRACKET-HANDLE;42P3S,AL5052,T1.5,DGM-S81	S.N.A
3		BN63-00529A	COVER-BACK;42P3H,AL 3031,T1.2	S.N.A
3		BN64-00126A	INLAY-SHIELD;42P3,PC SHEET V2,T0.3,BLK	S.N.A
2		BN96-00286B	ASSY MISC P-BRACKET,TERMINAL;PS50P3H,D57	S.N.A
3		BN61-00318B	BRACKET-TERMINAL;PS50P3H,AL 5051,T1.0	S.N.A
3		BN72-00332A	SPONGE-EMI,ANALOG;PS42P3S,SHIELD-FORM,TO	S.N.A
3		BN72-00333A	SPONGE-EMI,DIGITAL;PS42P3S,SHIELD-FORM,T	S.N.A

ASSY P/MATERIAL

1		BN92-00553B	ASSY P/MATERIAL;SPD-42P3H	S.N.A
2		AA69-00744F	BAG-SHEET,-,HDPE PE FOAM,T0.015,W1400,H1	S.N.A
2		AA63-10007C	BAND-PP;W18,CLEA,1G	S.N.A
2		AA61-20285A	HOLDER-BOX;3456,PP,-,-,WHT,VO	S.N.A
2		AA60-40006A	PIN-STAPLE;AUTO,33X17.8X2.4,H18,33X17.8X	S.N.A

ASSY ACCESSORY

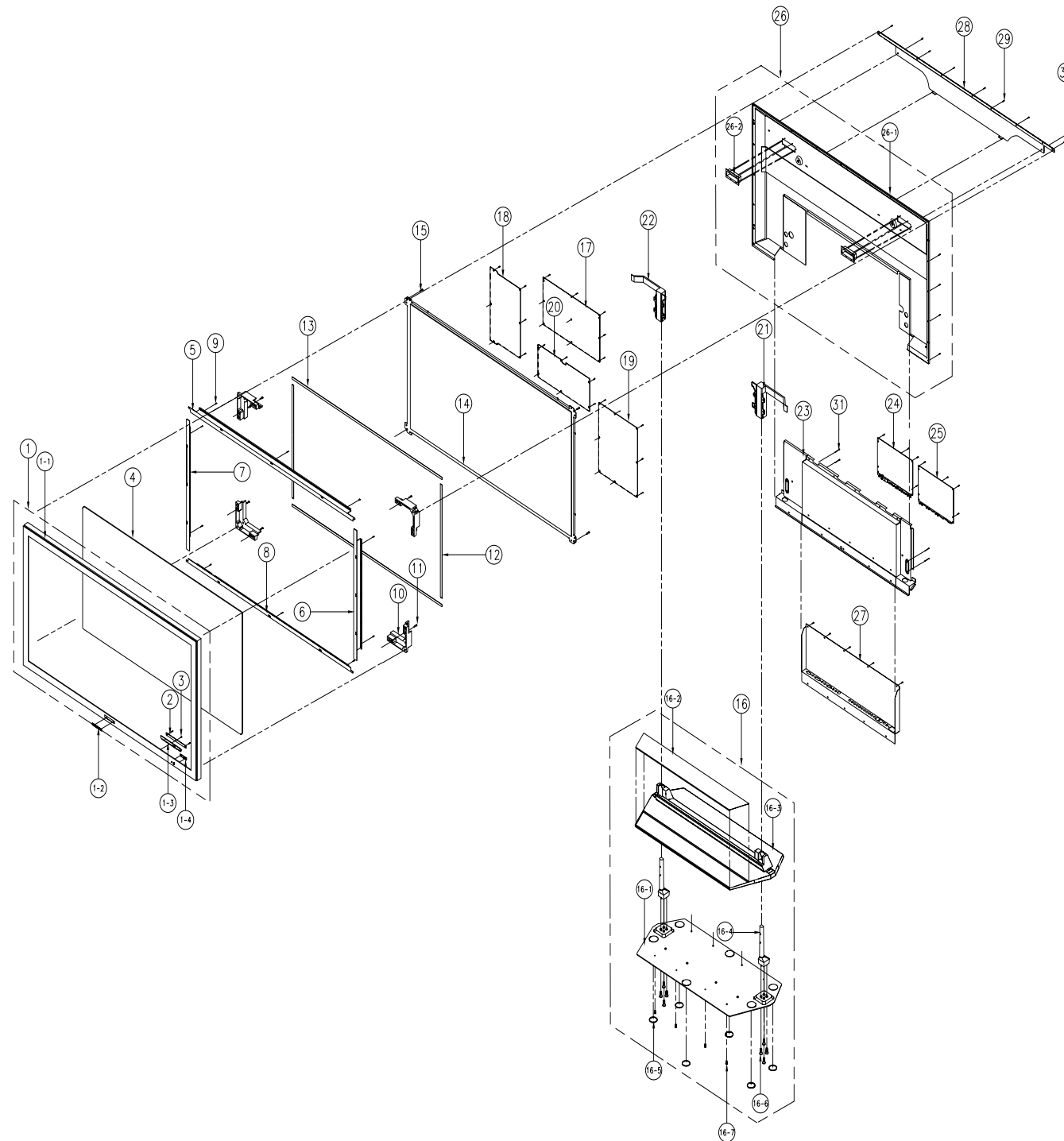
1		BN92-00652G	ASSY ACCESSORY;PS42P3SX/XEC	S.N.A
2	1	6801-001020	CARD-REGISTRATION;XEP,PORTUGAL,MOJO100,L	S.N.A
2	1	6801-001019	CARD-REGISTRATION;XEN,DUTCH,MOJO100,L150	S.N.A
2	1	6801-001017	CARD-REGISTRATION;XEC,SPANISH,MOJO100,L1	S.N.A
2	1	6801-001016	CARD-REGISTRATION;XEF,FRENCH,MOJO100,L15	S.N.A
2	1	6801-001015	CARD-REGISTRATION;XEG,GERMAN,MOJO100,L15	S.N.A
2	1	6801-001014	CARD-REGISTRATION;XEU,ENG,MOJO100,L150,W	S.N.A
2	SPK	BN39-00315A	LEAD CONNECTOR;D54A/SPD-42P3S,UL1007#24,	
2		6902-000018	BAG PE;LDPE,TO.1,W280,L400,GRY,8,2-	S.N.A
2		3301-001305	CORE-FERRITE;AE,30X15X34(39)MM,1500,2800	
2		3301-001110	CORE-FERRITE;ZZ,35x19.5x9.0mm,-,-	
2		BN39-00360A	CBF IF-RF CABLE;PS50P3H,1P;3C-2V,3000mm,	S.N.A
2		BN39-00360B	CBF IF-RF CABLE;PS50P3H,1P;3C-2V,5000mm,	S.N.A
2		BN68-00379A	MANUAL USERS;PS42P3S/PS50P3H,EN/GE/FR/DU	
2		6801-001018	CARD-REGISTRATION;XET,ITALY,MOJO100,L150	S.N.A
2		BN69-00428A	BOX-ACCESSORY;PDP,CB SW-1,E,YEL,KSD-21.5	S.N.A
2		4301-000103	BATTERY-ALKALINE;1.5V,750mAH,AAA,10.5x44	
2		AA39-00034B	CABLE RCA;PS42P2S,NON-UL,2P/2P,2000MM,RE	
2		AA39-00199A	CBF POWER CORD;SPD-42P1S,LP-34A,NF USE 1	
2		AA39-00288A	CBF SIGNAL;HPL5025M,15P/15P,2990,1830MM,	
2		AA39-00300A	CABLE RCA;PS42P2S,NON-UL,1P/1P,2000MM,YE	
2		AA39-40001E	CABLE RCA-S.VHS;1,500MM	
2		AA59-00268C	REMOCON;TM63,PDP52,G6671B,TTX,E/X	

MEMO

3. Exploded View & Parts List

3-1 PS42P3SX/XEC

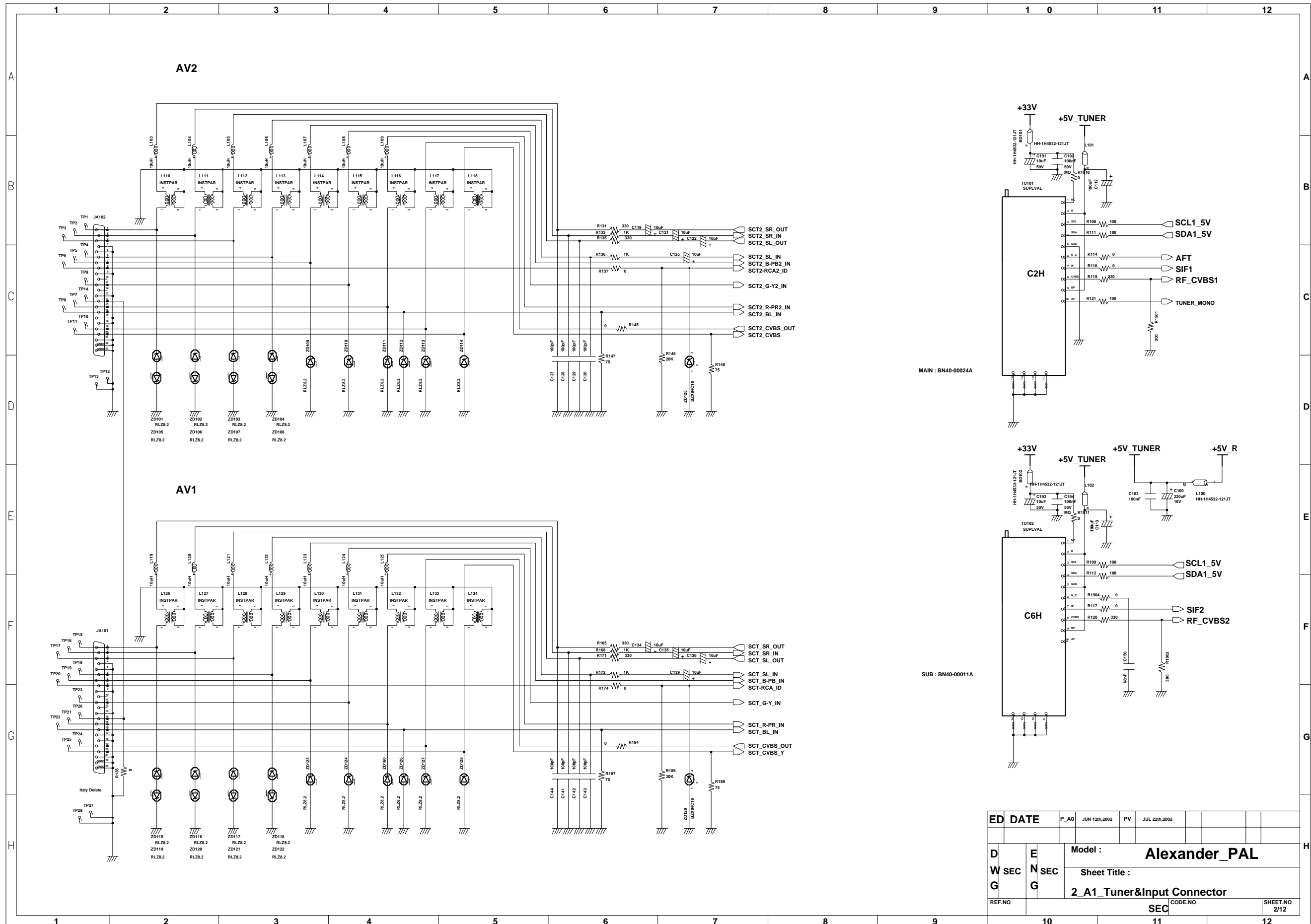
You can search for the updated part code through ITSELF web site.
URL : <http://itself.sec.samsung.co.kr>



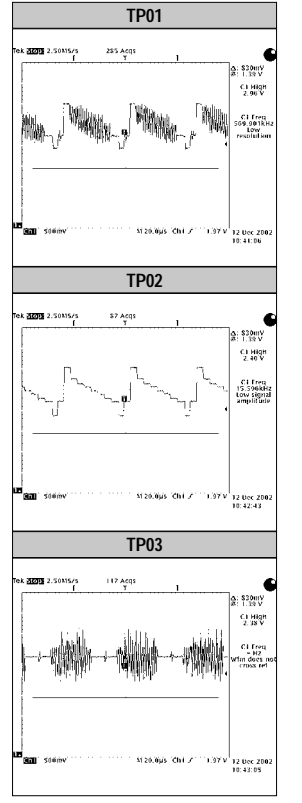
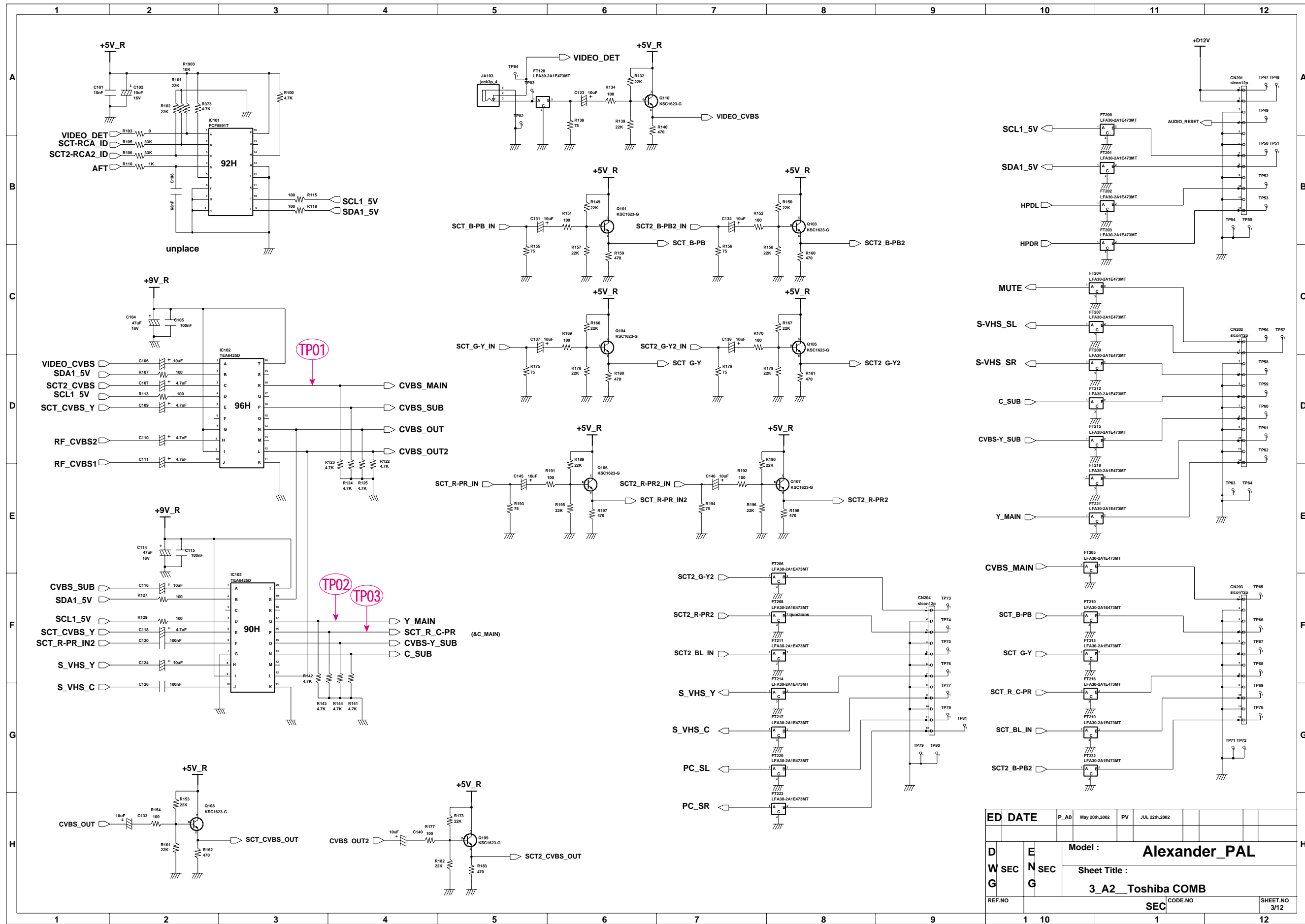
No	Code No	Description;Specification	Q'ty	S.N.A
1	BN96-00135E	ASSY COVER P-FRONT;PS42P3(GUJU),HIPS HB	1	
1-1	BN64-00071E	CABINET-FRONT;PS42P3(GUJU),HIPS HB,BLM12	1	S.N.A
1-2	BP64-00198A	BADGE-BRAND;PJLCD,AL,T1.5,68,11.5,,DGN-S	1	S.N.A
1-3	BP64-00045A	KNOB CONTROL;42P3S,ABS,HB,BLK,SVM3074MG	1	
1-4	BN64-00074B	WINDOW-REMOTE;42P3S,PMMA,,,,,CLEAR	1	S.N.A
2	BN94-00452A	ASSY PCB MISC-CONTROL;PS42P3SX,D53A,PAL	1	
3	6003-001026	SCREW-TAPTITE;RH,+,B,M4,L15,ZPC(BLK),SWR	3	S.N.A
4	BN64-00122A	SCREEN-EMI,FILTER;FILTER,42P3,984*584,T3	1	
5	BN61-00244C	BRACKET-FILTER,TOP ASSY;42P3S,AL5052,T1.	1	S.N.A
6	BN61-00144A	BRACKET-FILTER,SIDE;42P3S,AL5052,T1.2	1	S.N.A
7	BN61-00309A	BRACKET-FILTER SIDE,R ASS'Y;42P3,AL5052,	1	S.N.A
8	BN61-00246B	BRACKET-FILTER,BOT ASSY;42P3S,AL5052,T1.	1	S.N.A
9	6003-001026	SCREW-TAPTITE;RH,+,B,M4,L15,ZPC(BLK),SWR	10	S.N.A
10	BN61-00141A	HOLDER-MODULE;42P3,AL,DIECASTING	4	S.N.A
11	6003-001026	SCREW-TAPTITE;RH,+,B,M4,L15,ZPC(BLK),SWR	8	S.N.A
12	AA60-00110C	SPACER-FILTER;42P2,P/U V0,L,BLK	2	S.N.A
13	AA60-00110D	SPACER-FILTER;42P2,P/U V0,L,BLK	2	S.N.A
14	BN96-00325A	ASSY PDP P-MODULE;M3,S42SD-YD03,D54A,S2.	1	
15	6006-001126	SCREW-ASS'Y MACH;WSP,PH,+,M5,L12,NI PLT,	4	
16	BN96-00137A	ASSY COVER P-STAND BASE;42P3S,AL 5052,T1	1	
16-1	BN61-00221A	BRACKET-STAND;42P3,SECC,T3.0	1	S.N.A
16-2	BN64-00107A	DECORATION-STAND;42P3,AL 5052,T1.0	1	S.N.A
16-3	BN67-00066A	STAND RACK-TOP;42P3,BLK	1	S.N.A
16-4	BN67-00067A	STAND RACK-BAR;42P3,DIE CASTING	2	S.N.A
16-5	BN73-00029A	RUBBER-FOOT;TR42PND,CR RUBBER,T4.0	6	S.N.A
16-6	6006-001112	SCREW-ASS'Y MACH;WP,PH,+,M8,L16,ZPC(BLK)	4	
16-6	6006-001112	SCREW-ASS'Y MACH;WP,PH,+,M8,L16,ZPC(BLK)	8	
16-7	6003-001020	SCREW-TAPTITE;RH,+,B,M4,L10,ZPC(YEL),SWR	8	S.N.A
17	BN96-00249A	ASSY PDP P-SMPS;,SPD-50P3H,D57A,50HD,445	1	
18	BN96-00257A	ASSY PDP P-PBA,Y MAIN;,SPD-42P3,D54A,42I	1	
19	BN96-00256A	ASSY PDP P-PBA,X MAIN;,SPD-42P3,D54A,42I	1	
20	BN96-00430A	ASSY PDP P-PBA,L MAIN;M3,S42SD S2.0, 79mm	1	
21	BN61-00212A	GUIDE-STAND,R;42P3S,AL, DIECASTING	1	
22	BN96-00313A	ASSY COVER P-BACK,SUB;SPD-42P3H	1	S.N.A
23	BN94-00416A	ASSY PCB MISC-ANALOG;PS-42P3S,D56A	1	
24	BN94-00415A	ASSY PCB MISC-DIGITAL;PS-42P3S,D56A	1	
25	BN96-00314A	ASSY COVER P-BACK;42P3H,AL 5052,T1.2	1	S.N.A
25-1	BN63-00529A	COVER-BACK;42P3H,AL 3031,T1.2	1	S.N.A
25-2	BN61-00202A	BRACKET-HANDLE;42P3S,AL5052,T1.5,DGM-S81	2	S.N.A
26	BN96-00286B	ASSY MISC P-BRACKET,TERMINAL;PS50P3H,D57	1	S.N.A
27	BN64-00143B	DECORATION-BACK;SPD-42P3H,PC+ABS,5V,DG-8	1	S.N.A
28	6003-001026	SCREW-TAPTITE;RH,+,B,M4,L15,ZPC(BLK),SWR	9	S.N.A
29	6001-000059	SCREW-MACHINE;TH,+,M4,L10,ZPC(BLK),SWRCH	2	S.N.A
30	6006-001121	SCREW-ASS'Y MACH;WSP,PH,+,M4,L25,ZPC(BLK)	4	

4. Schematic Diagrams

4-1 Tuner&Input Connector

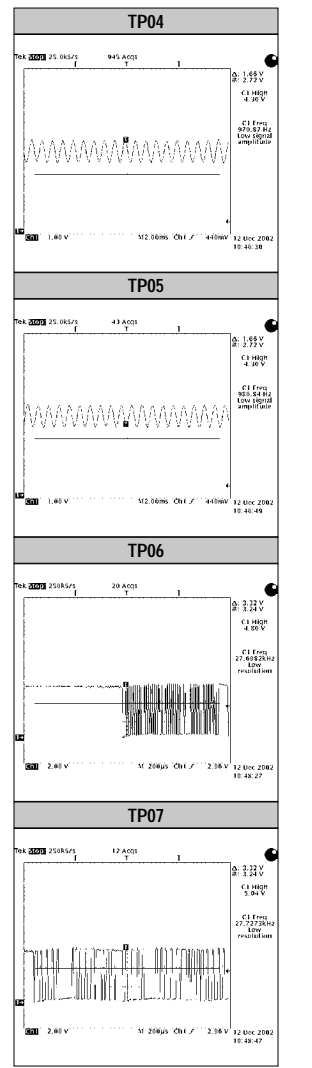
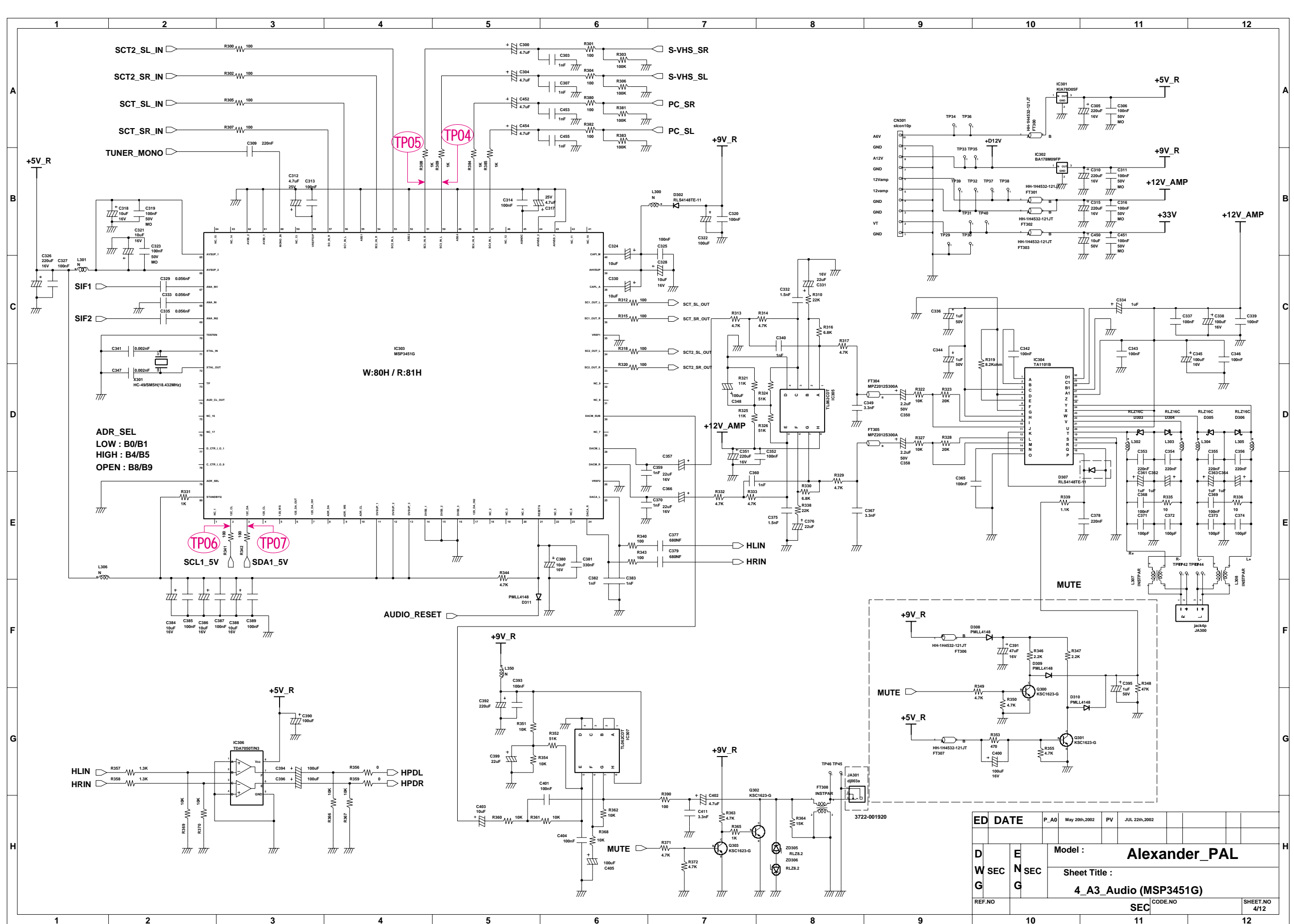


4-2 Toshiba COMB



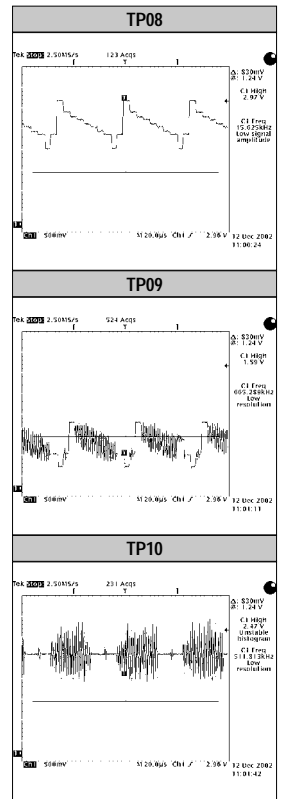
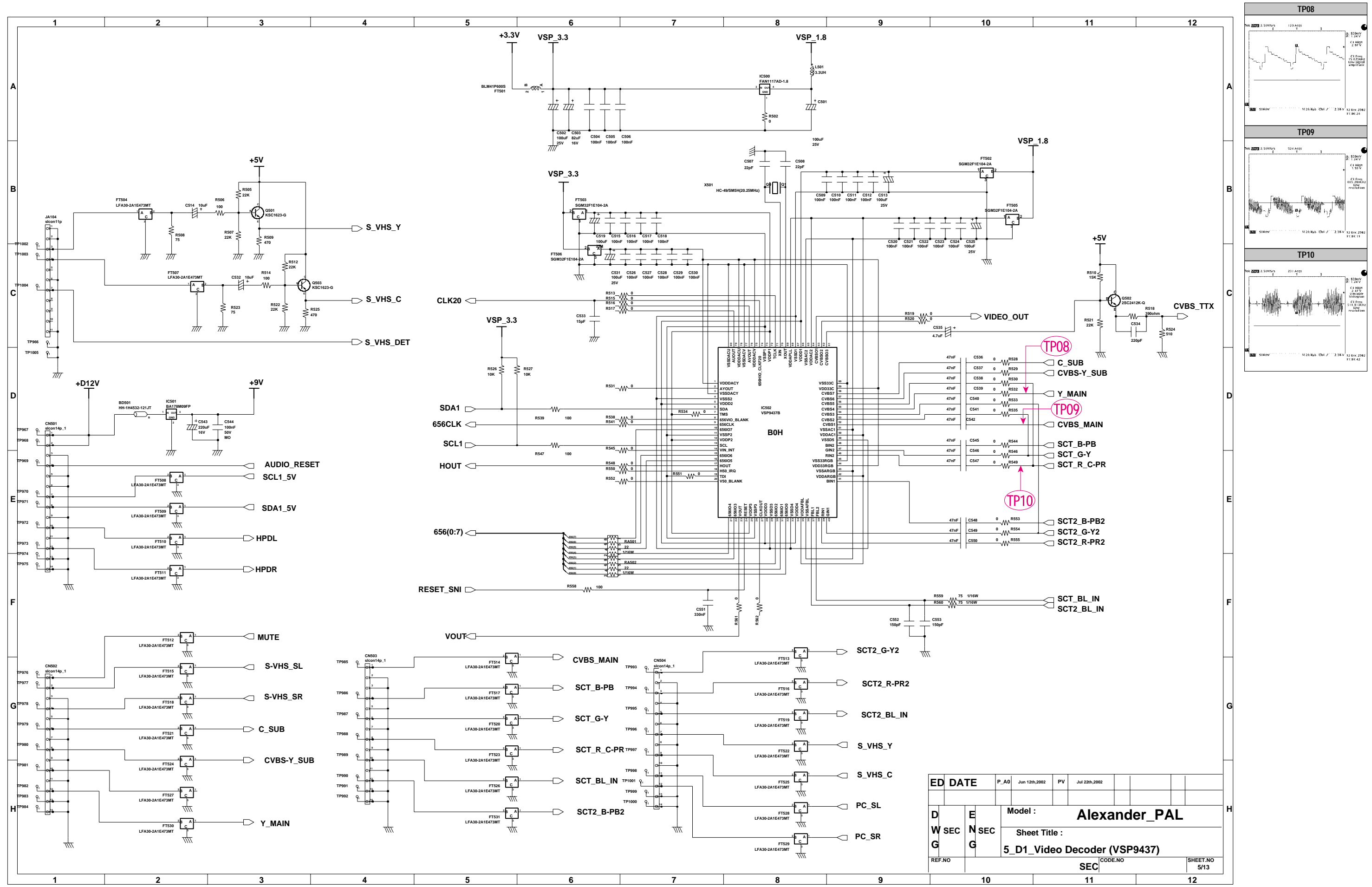
ED	DATE	P_A0	May 20th, 2002	PV	JUL 22th, 2002
D W G	SEC	Model : Alexander_PAL			
		Sheet Title : 3_A2_Toshiba COMB			
REF.NO	SEC			CODE.NO	SHEET.NO 3/12

4-3 Audio (MSP3451G)



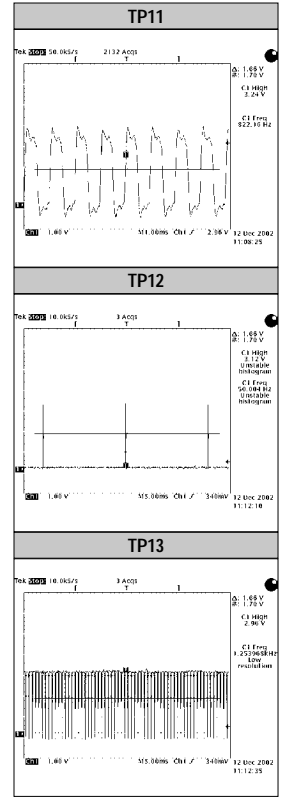
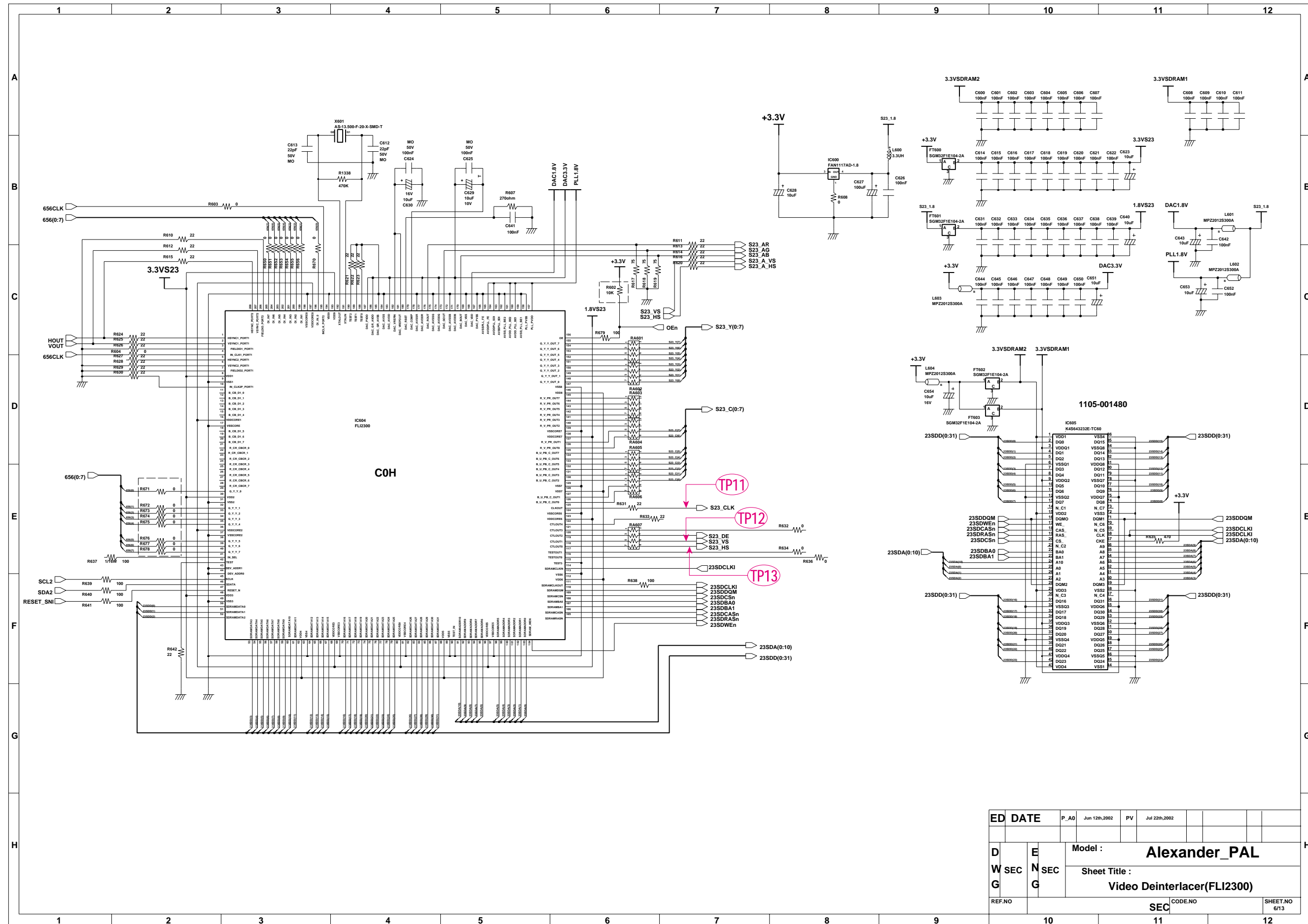
ED	DATE	P_A0	May 20th, 2002	PV	JUL 22th, 2002
D	W	SEC	Model : Alexander_PAL		
E	N	SEC	Sheet Title :		
G	G	SEC	4_A3_Audio (MSP3451G)		
REF.NO	SEC	CODE.NO	SHEET.NO		4/12

4-4 Video Decoder (VSP9437)



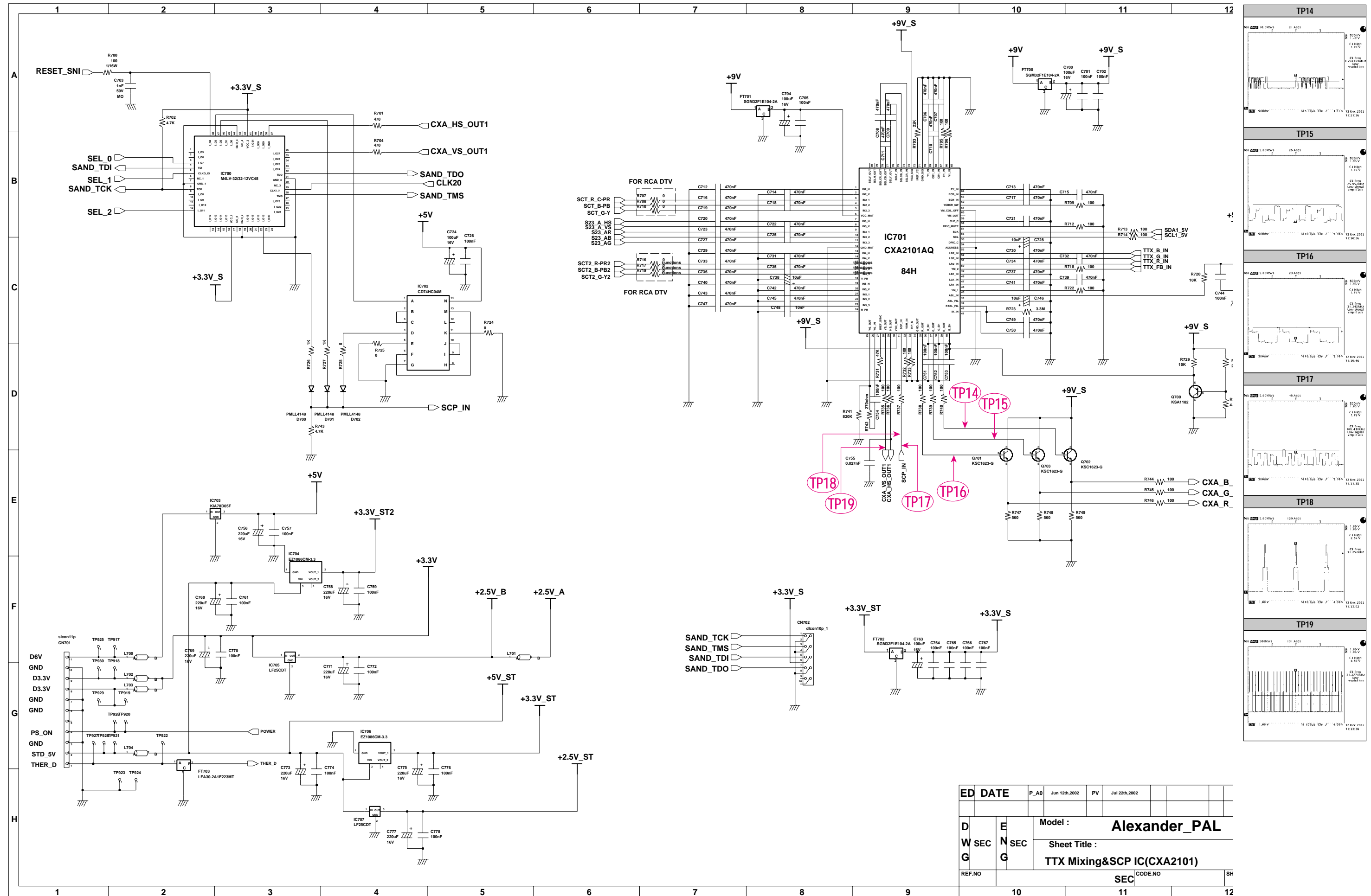
ED	DATE	P_A0	Jun 12th, 2002	PV	Jul 22th, 2002
D	W	SEC	E	N	SEC
G					
Model :		Alexander_PAL			
Sheet Title :		5_D1_Video Decoder (VSP9437)			
REF.NO	SEC	CODE.NO	SHEET.NO		
			5/13		

4-5 Video Deinterlacer(FLI2300)

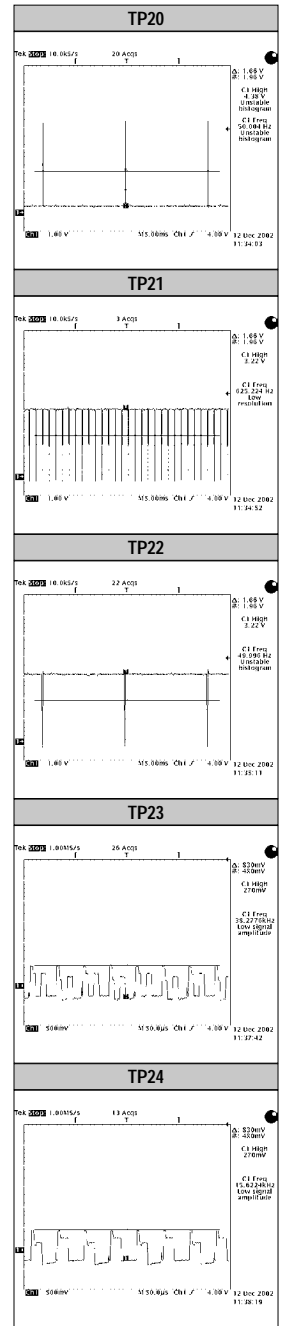
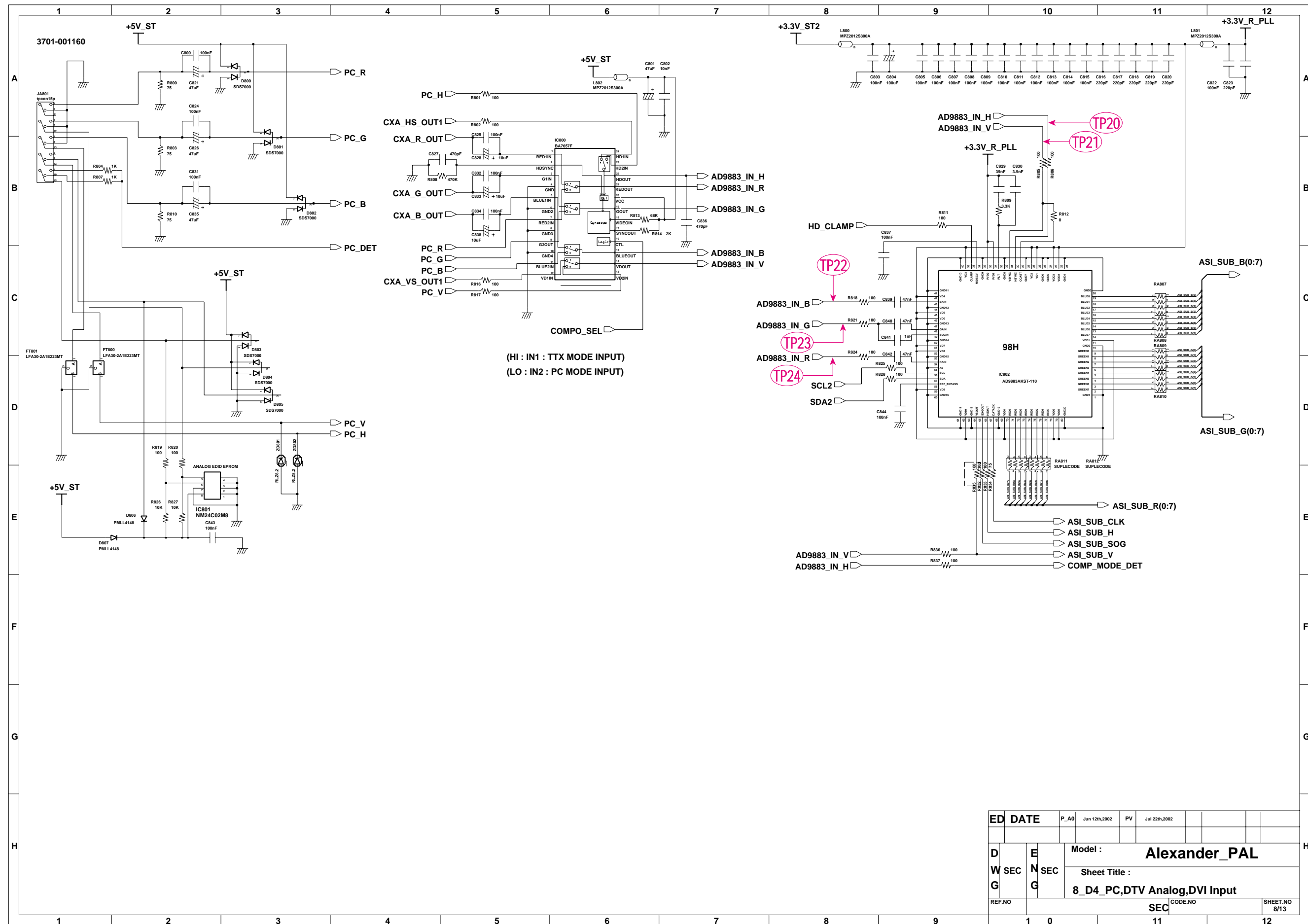


ED DATE	P_A0	Jun 12th, 2002	PV	Jul 22th, 2002
DWG	SEC	Model : Alexander_PAL		
EN	SEC	Sheet Title : Video Deinterlacer(FLI2300)		
REF.NO	SEC	CODE.NO	SHEET.NO 6/13	

4-6 TTX Mixing&SCP IC(CXA2101)

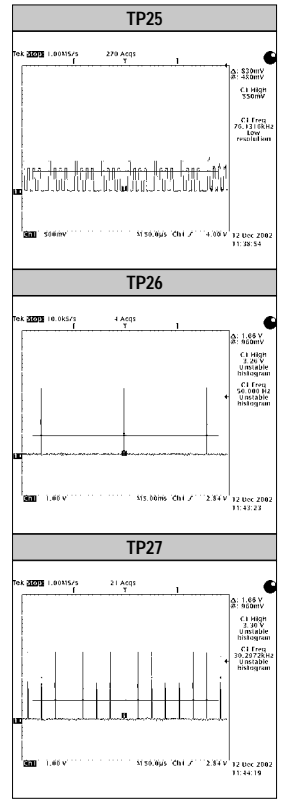
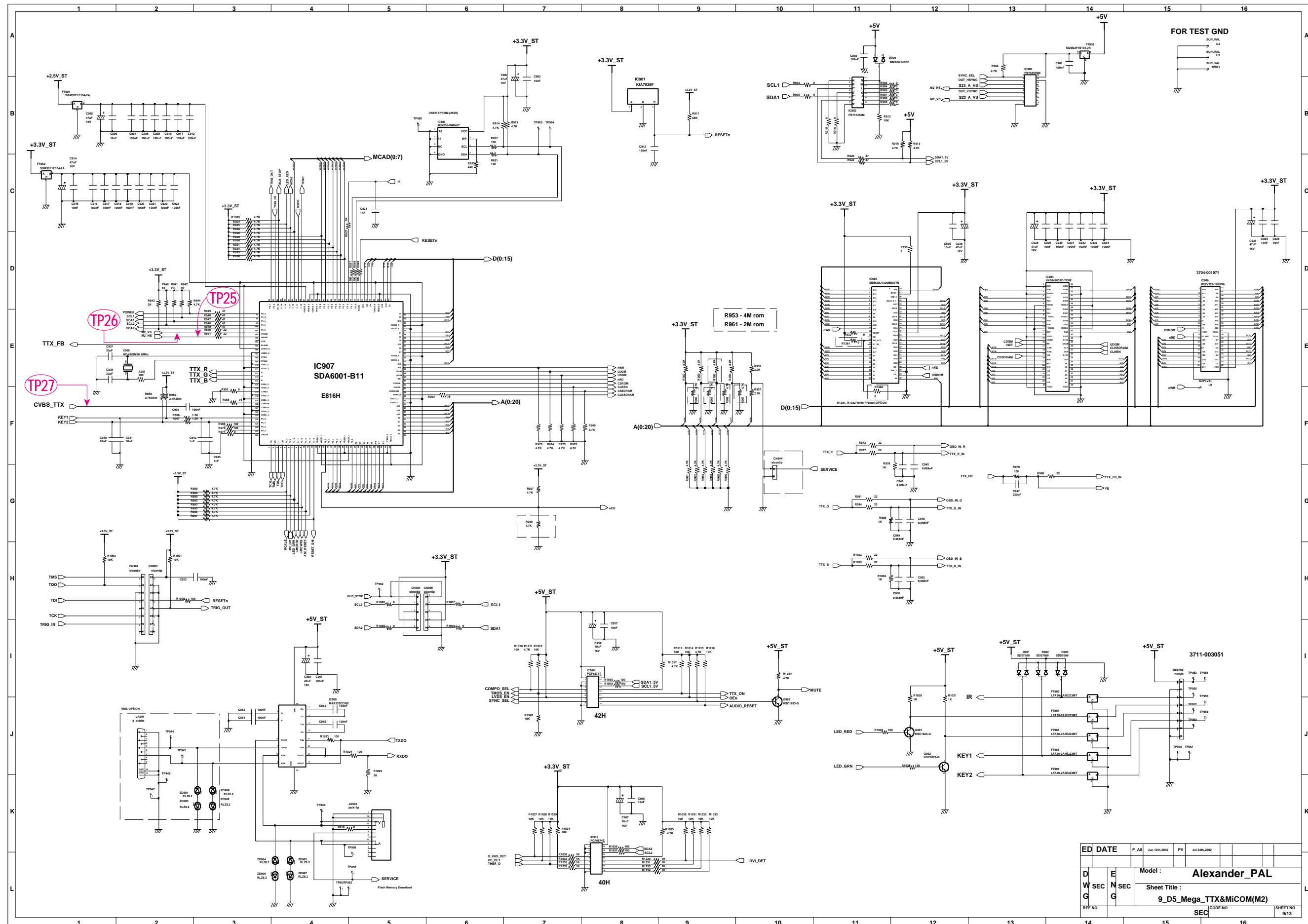


4-7 PC,DTV Analog,DVI Input



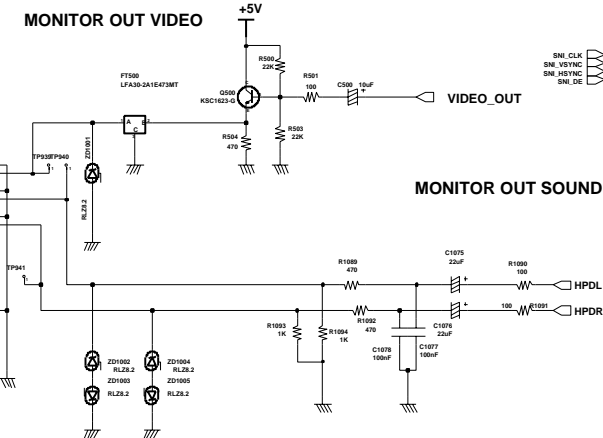
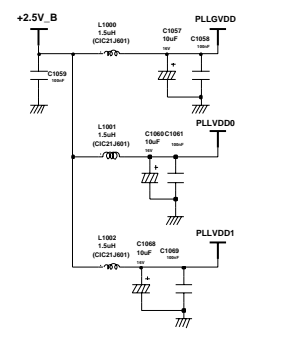
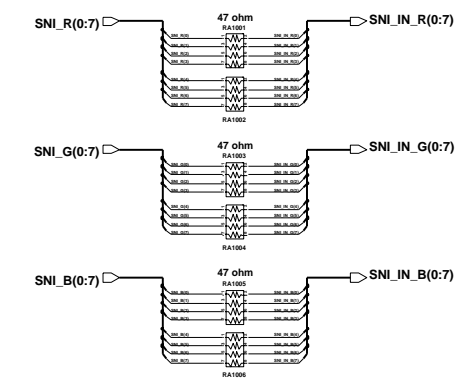
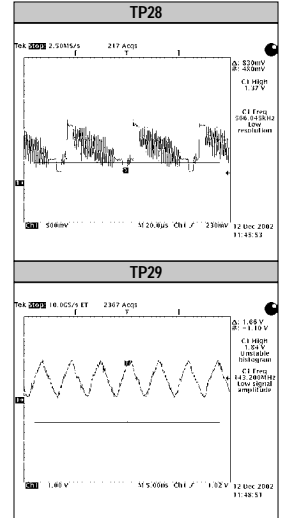
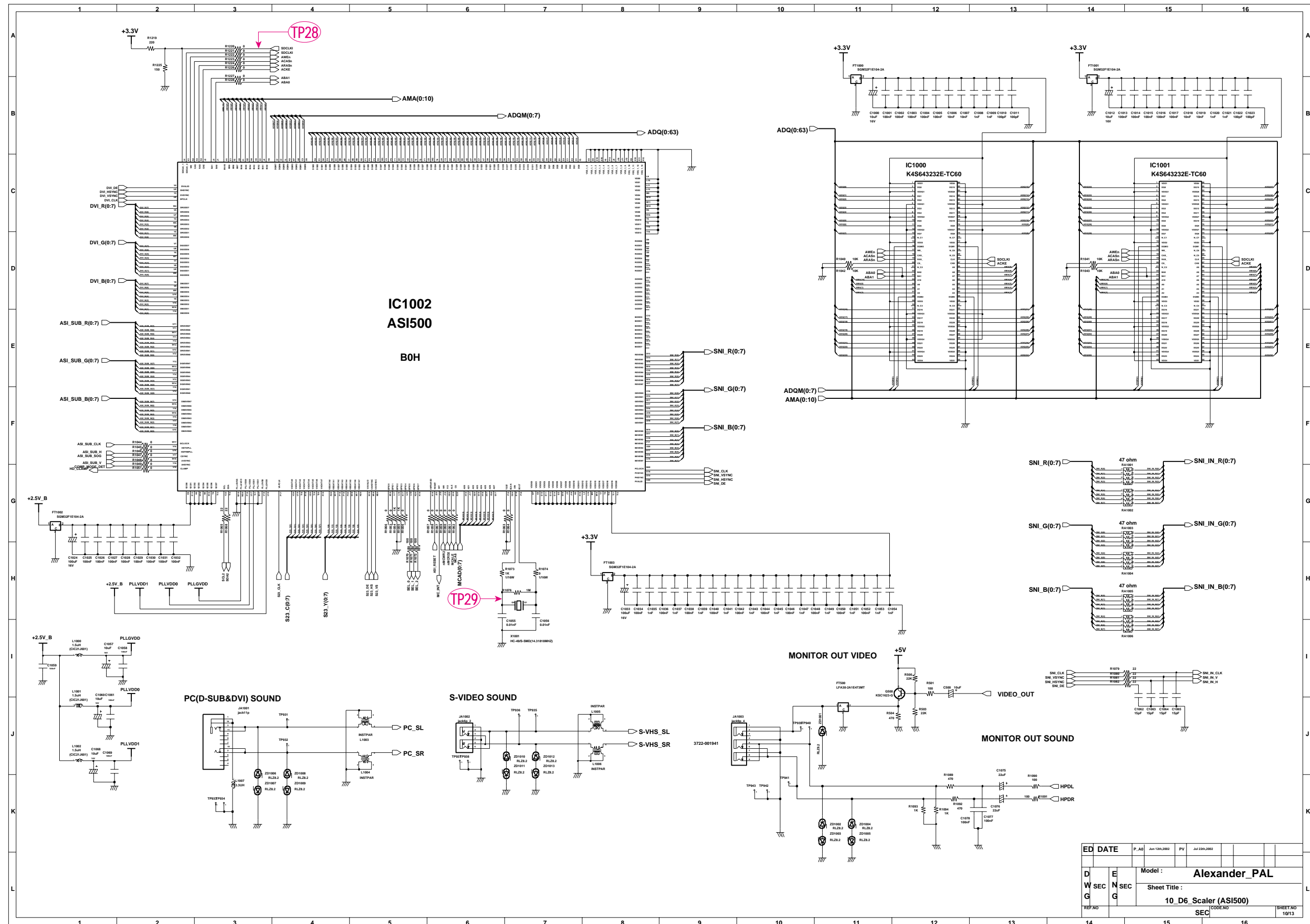
ED	DATE	P_A0	Jun 12th, 2002	PV	Jul 22th, 2002
D	W	SEC	E	SEC	Model : Alexander_PAL
G			G		Sheet Title : 8_D4_PC,DTV Analog,DVI Input
REF.NO			SEC	CODE.NO	SHEET.NO 8/13

4-8 Mega_TTX&MiCOM(M2)



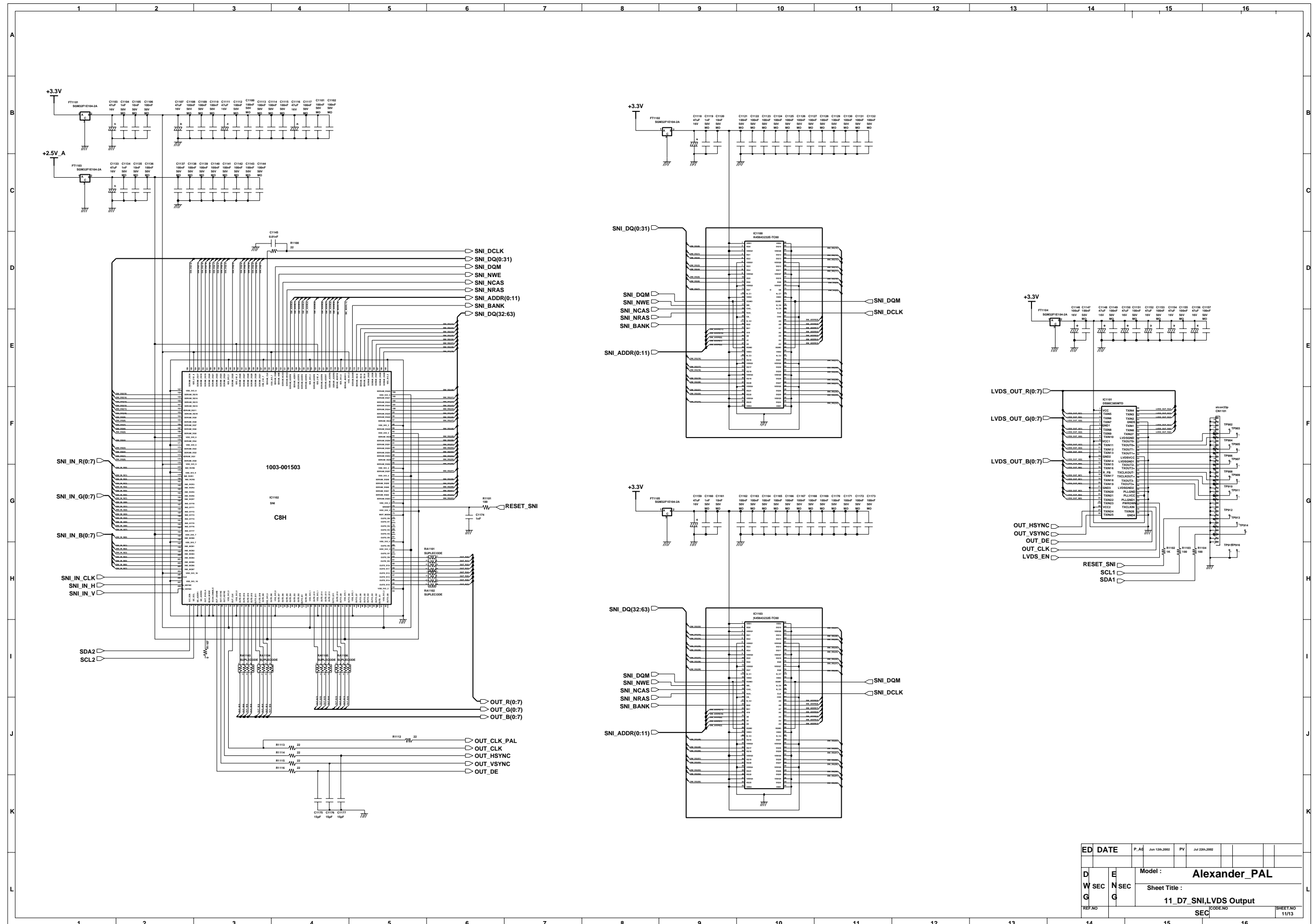
ED DATE	P. AD	Jan 12/03/2002	PV	Jul 23/03/2002
DWG SEC	Model : Alexander_PAL			
G	Sheet Title : 9_D5_Mega_TTX&MiCOM(M2)			
REF. NO.	SEC		CODE. NO.	SHEET. NO.
				9/13

4-9 Scaler (ASI500)



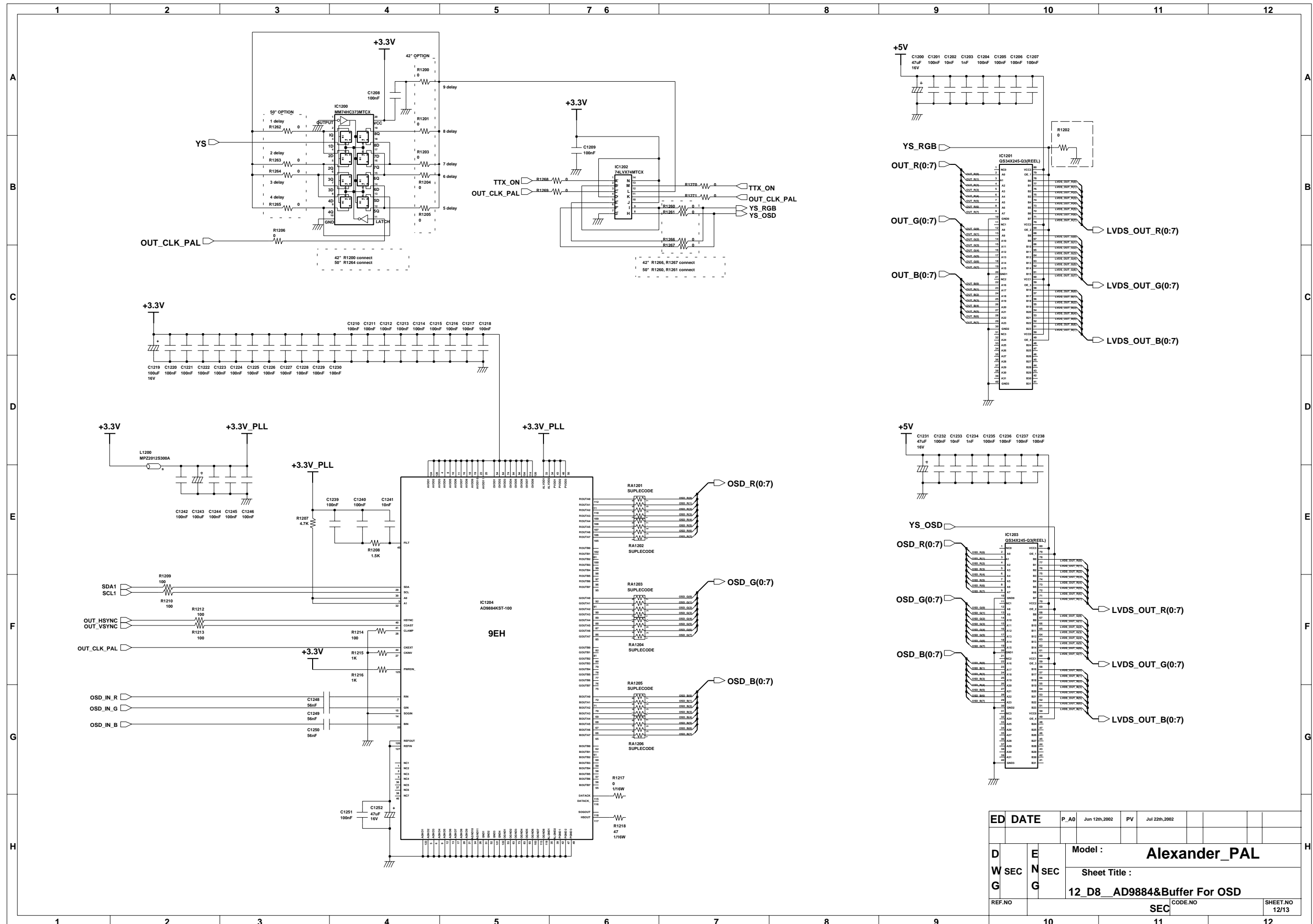
ED	DATE	P_Ad	Jun 12012002	IPV	Jun 12012002
D	SEC	Model : Alexander_PAL			
W	SEC	Sheet Title : 10_D6_Scaler (ASI500)			
G	SEC	SEC			
REP.NO	CODE NO			SHEET.NO	
				10113	

4-10 SNI, LVDS Output

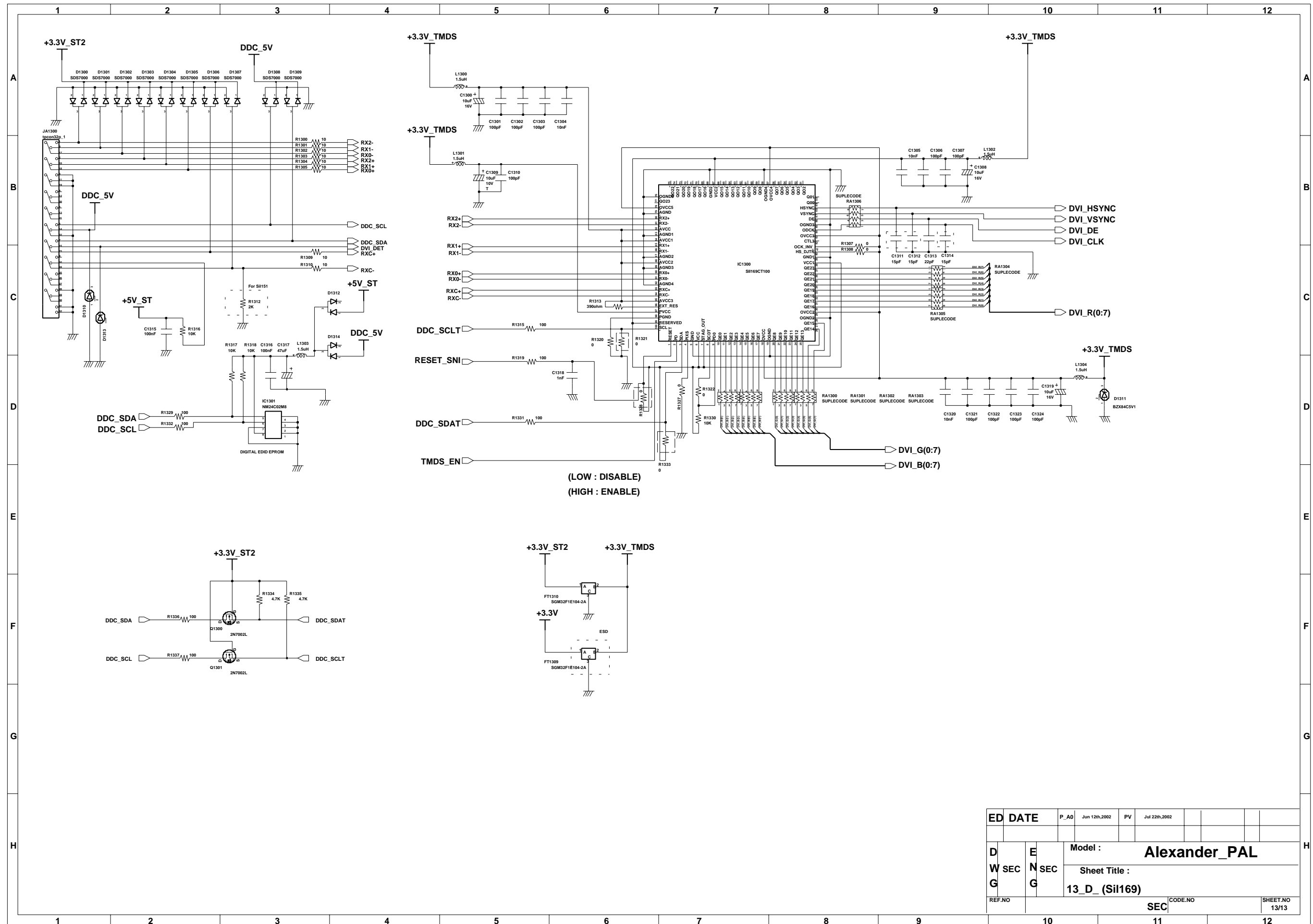


ED	DATE	P.AC	Jun 12th, 2002	PV	Jul 22th, 2002
D	W	SEC	E	N	SEC
G					
Model :		Alexander_PAL			
Sheet Title :		11_D7_SNI, LVDS Output			
REF. NO.	SEC	CODE NO.	SHEET NO.		
			11/13		

4-11 AD9884&Buffer For OSD

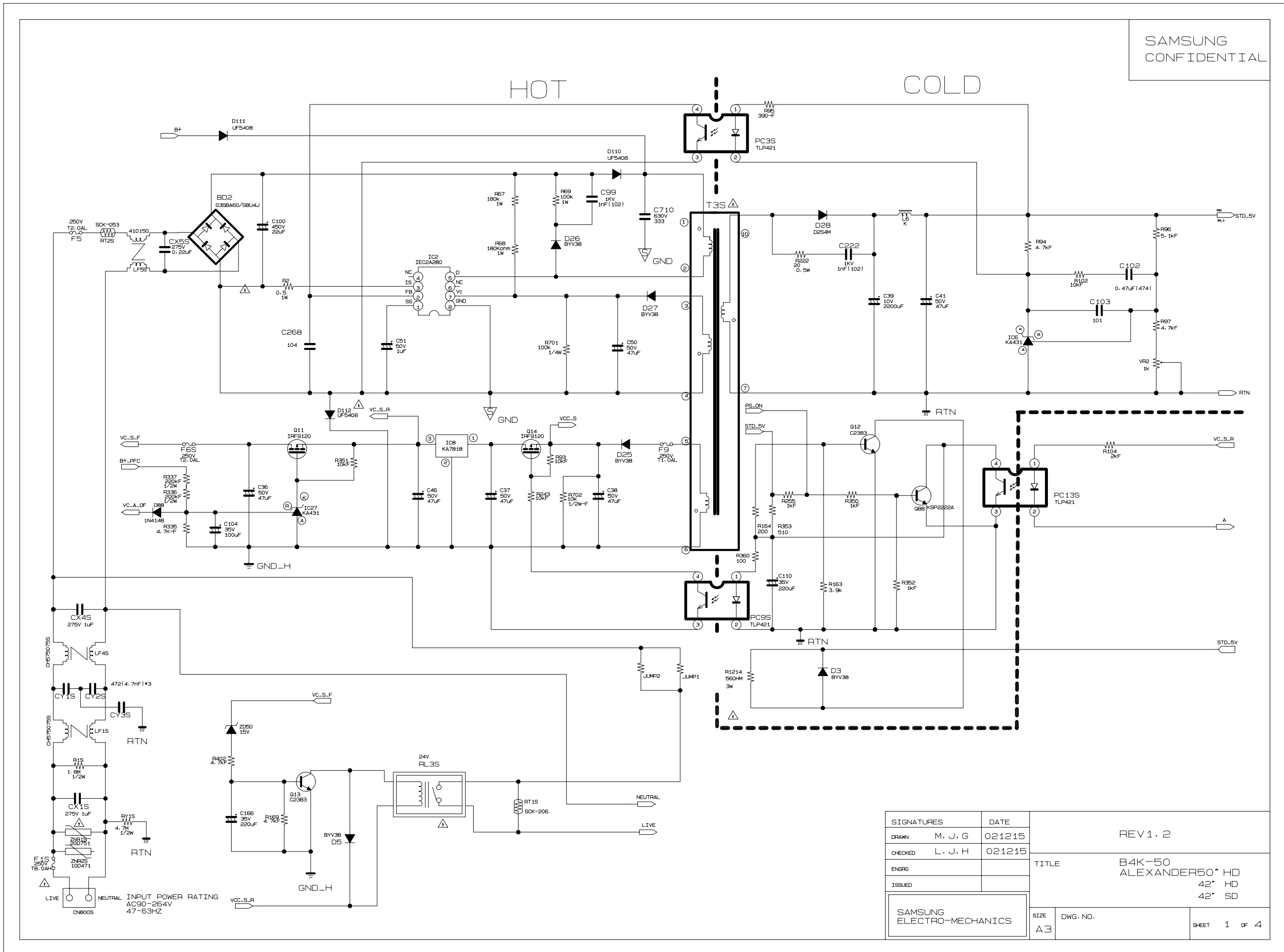


ED DATE	P_A0	Jun 12th, 2002	PV	Jul 22th, 2002							
D W G	SEC	Model :		Alexander_PAL							
		Sheet Title :		12_D8_AD9884&Buffer For OSD							
		REF.NO	SEC	CODE.NO	SHEET.NO 12/13						

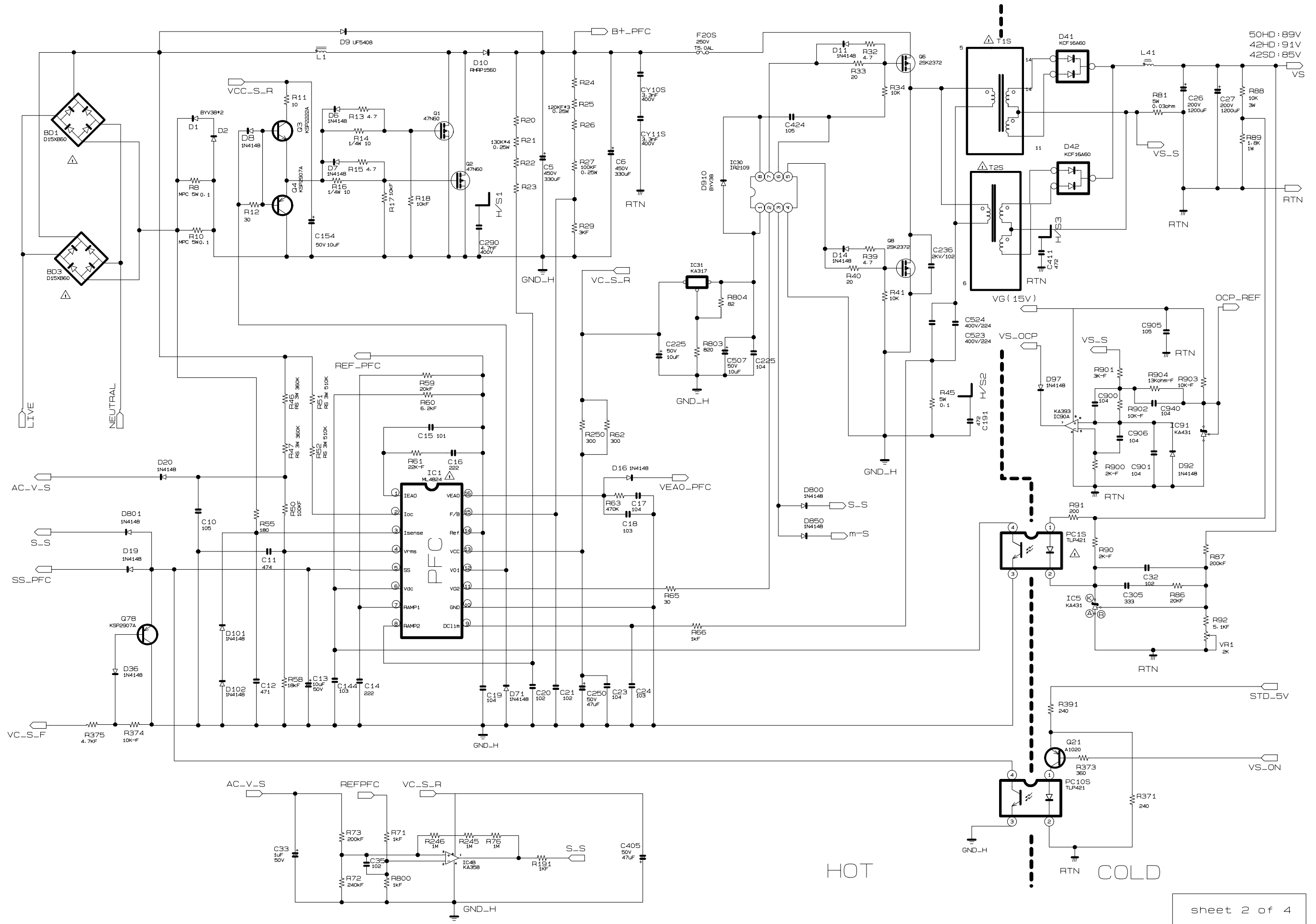


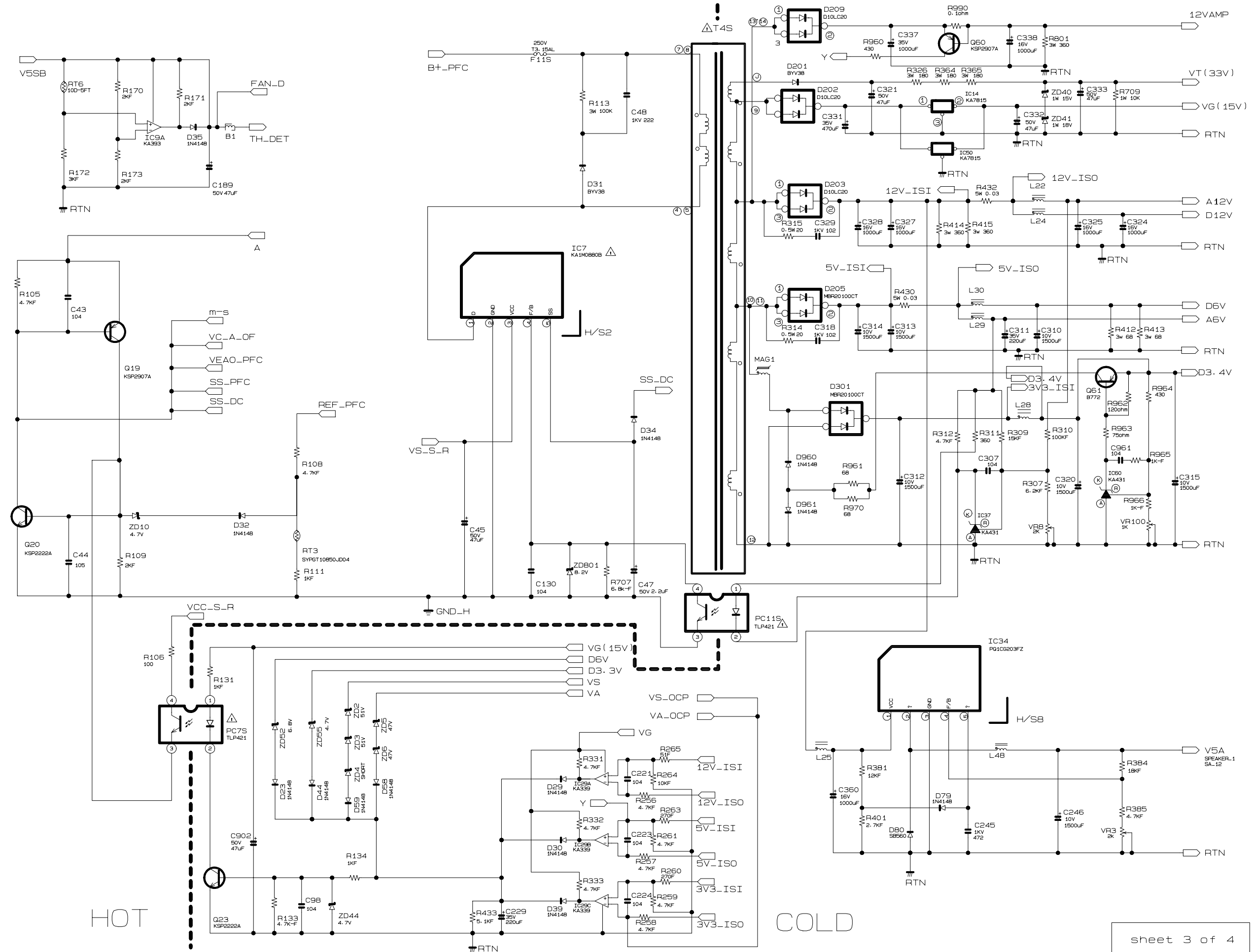
ED DATE	P_AD	Jun 12th, 2002	PV	Jul 22th, 2002							
D W G	SEC	E N G	SEC	Model : Alexander_PAL							
				Sheet Title : 13_D_ (Sil169)							
REF.NO										CODE.NO	SHEET.NO
										SEC	13/13

SAMSUNG
CONFIDENTIAL



SIGNATURES		DATE	REV 1.2
DRAWN M. J. G		021215	
CHECKED L. J. H		021215	
ENGRG			
ISSUED			
TITLE			B4K-50 ALEXANDER50* HD 42* HD 42* SD
SAMSUNG ELECTRO-MECHANICS		SIZE A3	DWG. NO.
		SHEET 1 of 4	





sheet 3 of 4

