

# SHARP SERVICE MANUAL

No. S6938CDC811W/

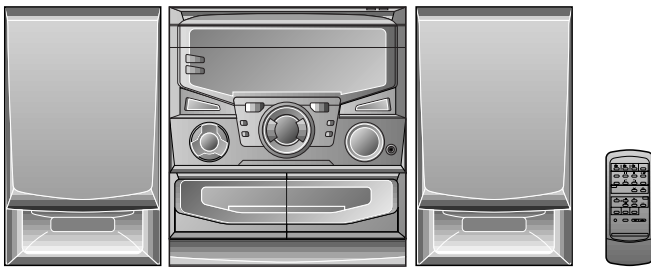


Illustration: CD-C811W

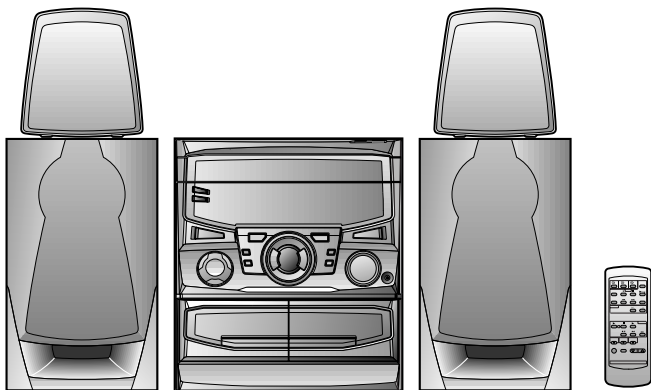


Illustration: CD-C821W

**COMPACT**  
**disc**  
**DIGITAL AUDIO**

**SAVING ENERGY**  
STAND-BY POWER  
CONSUMPTION **0.8W**

## CD-C811W CD-C821W

CD-C811W mini component system consisting of CD-C811W (Main unit), CP-C811W (Front speaker).

CD-C821W mini component system consisting of CD-C821W (Main unit), CP-C821W (Front speaker) and GBOXS0028AWM1 (Surround speaker).

- In the interests of user-safety the set should be restored to its original condition and only parts identical to those specified be used.

### DIFFERENCE BETWEEN CD-C811W AND CD-C821W

SECTION	CD-C811W	CD-C821W
Surround Speaker	None	Used

## CONTENTS

	Page
SAFETY PRECAUTION FOR SERVICE MANUAL .....	2
VOLTAGE SELECTION .....	2
SPECIFICATIONS .....	3
NAMES OF PARTS .....	4
OPERATION MANUAL .....	6
DISASSEMBLY .....	7
REMOVING AND REINSTALLING THE MAIN PARTS .....	9
ADJUSTMENT .....	10
NOTES ON SCHEMATIC DIAGRAM .....	12
TYPE OF TRANSISTOR AND LED .....	12
BLOCK DIAGRAM .....	13
SCHEMATIC DIAGRAM / WIRING SIDE OF P.W.BOARD .....	18
WAVEFORMS OF CD CIRCUIT .....	40
TROUBLESHOOTING .....	41
FUNCTION TABLE OF IC .....	45
FL SEGMENT .....	52
PARTS GUIDE/EXPLODED VIEW	

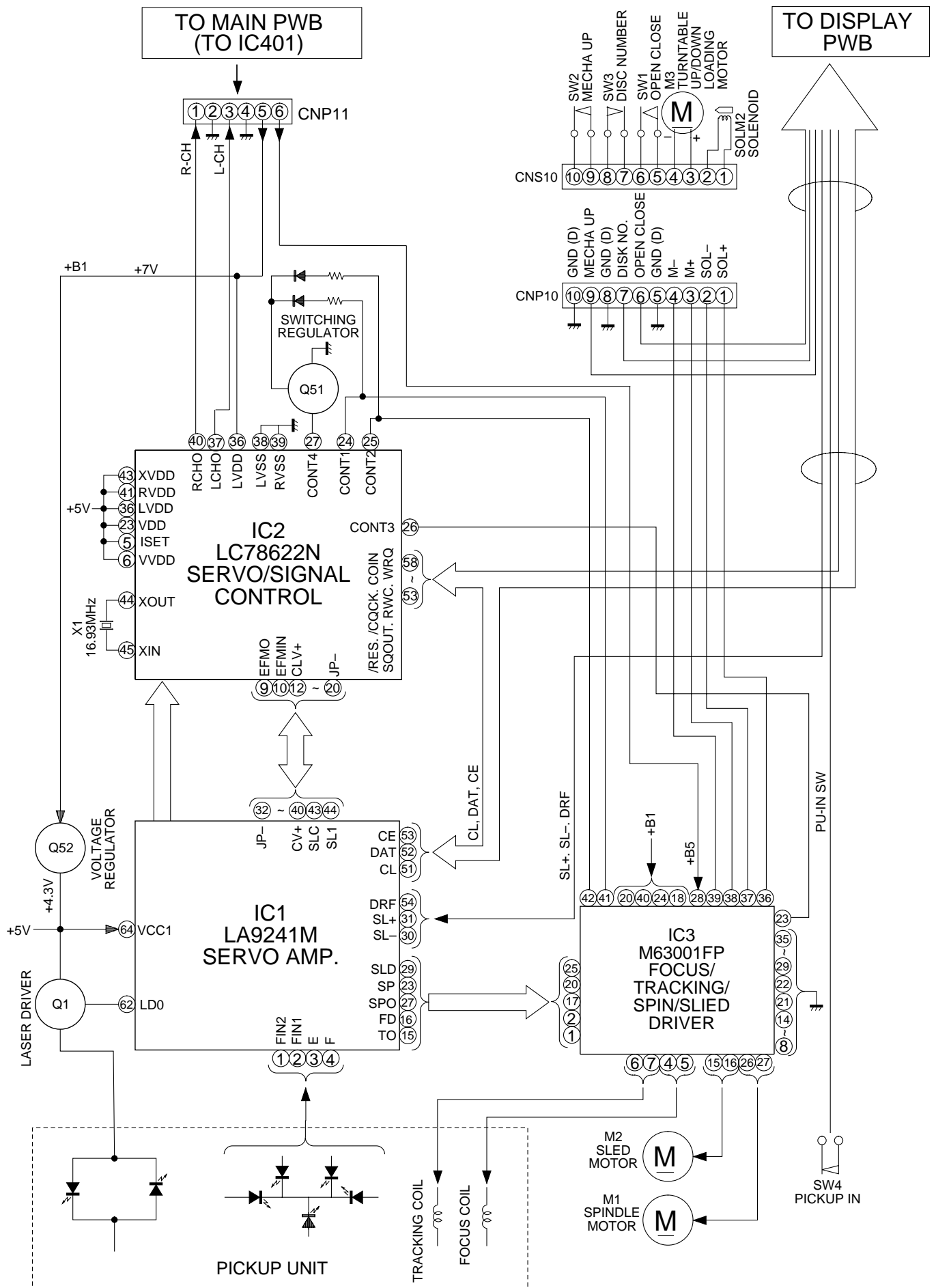


Figure 13 BLOCK DIAGRAM (1/5)

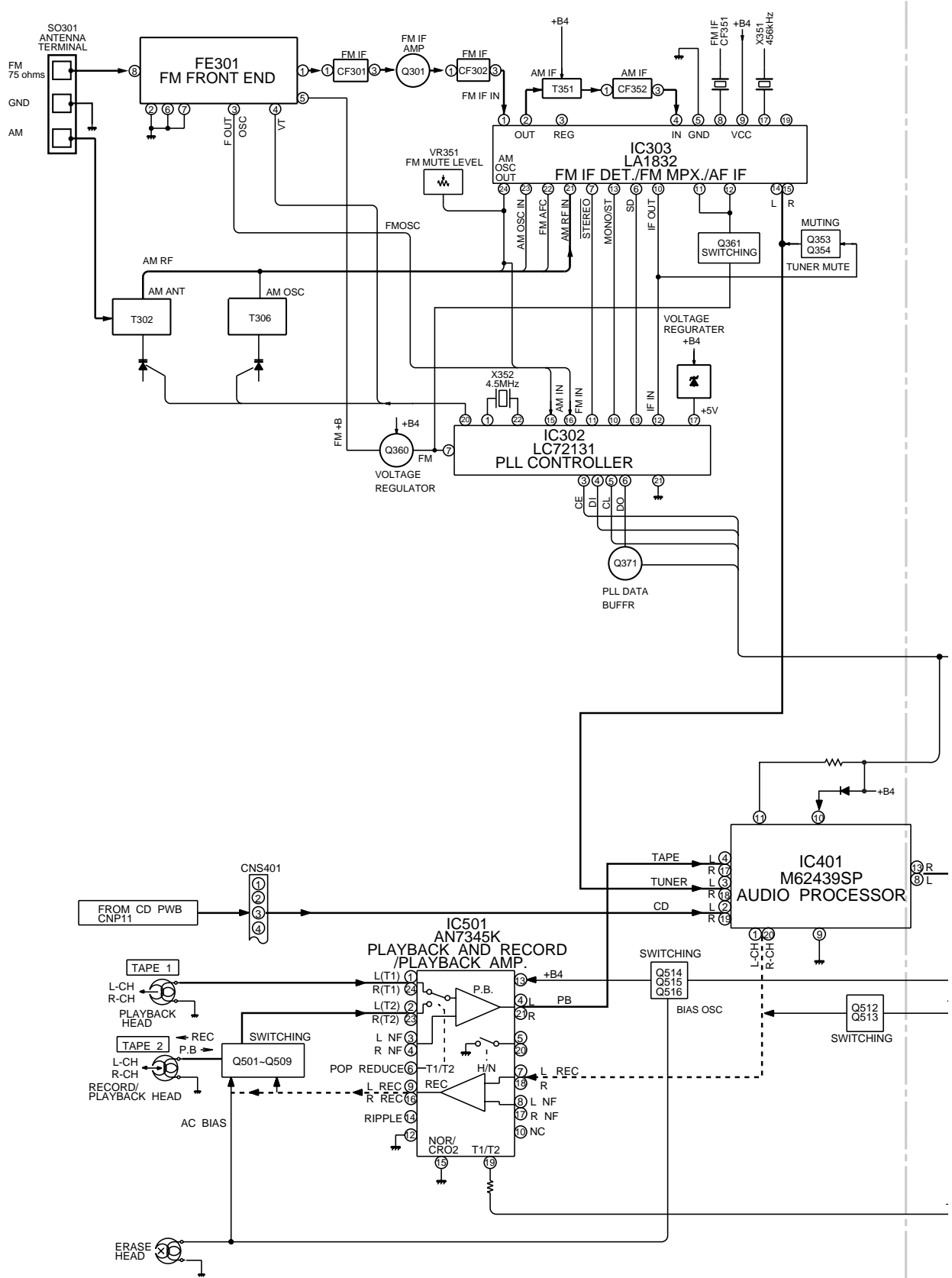


Figure 14 BLOCK DIAGRAM (2/5)

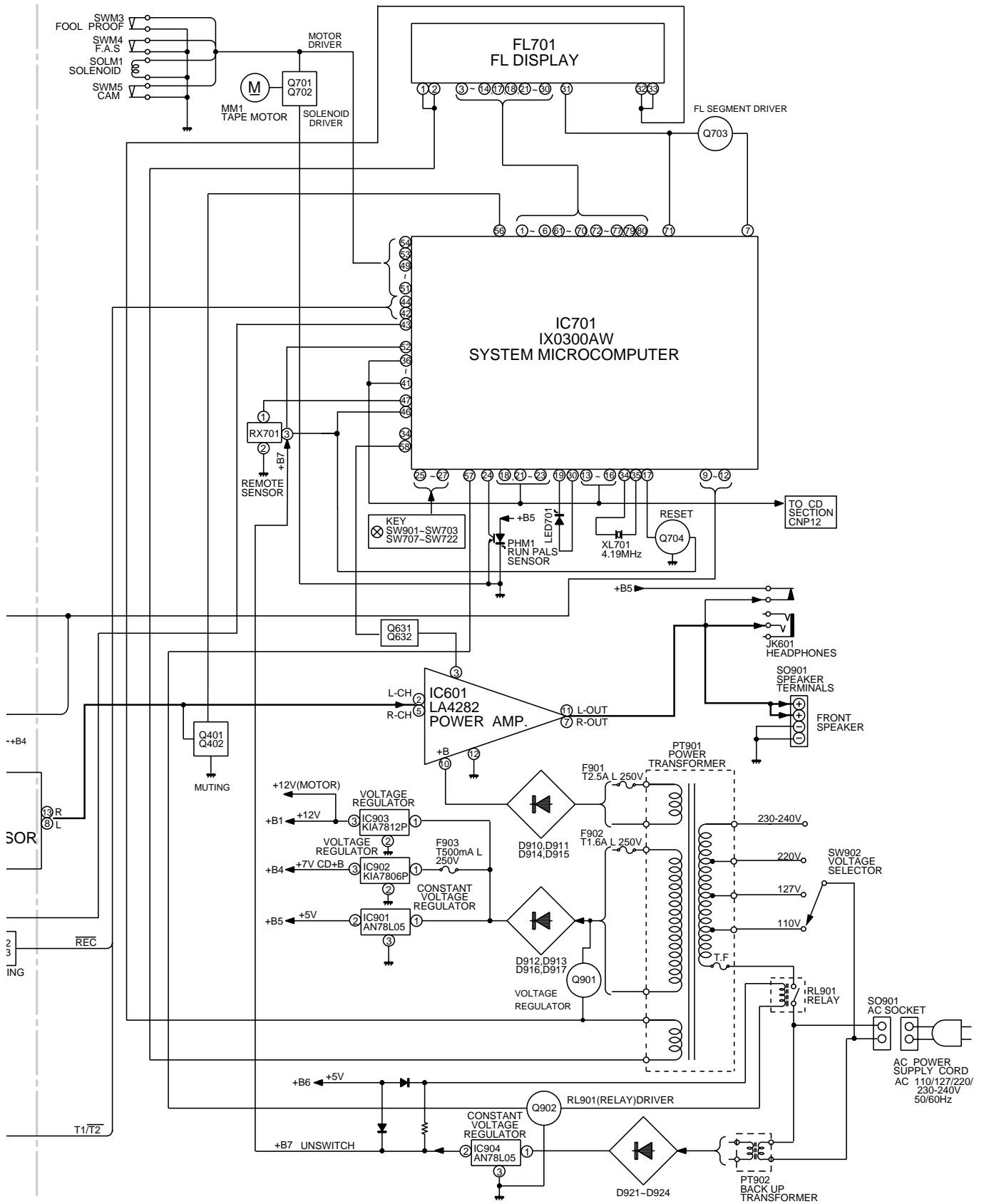


Figure 15 BLOCK DIAGRAM (3/5)

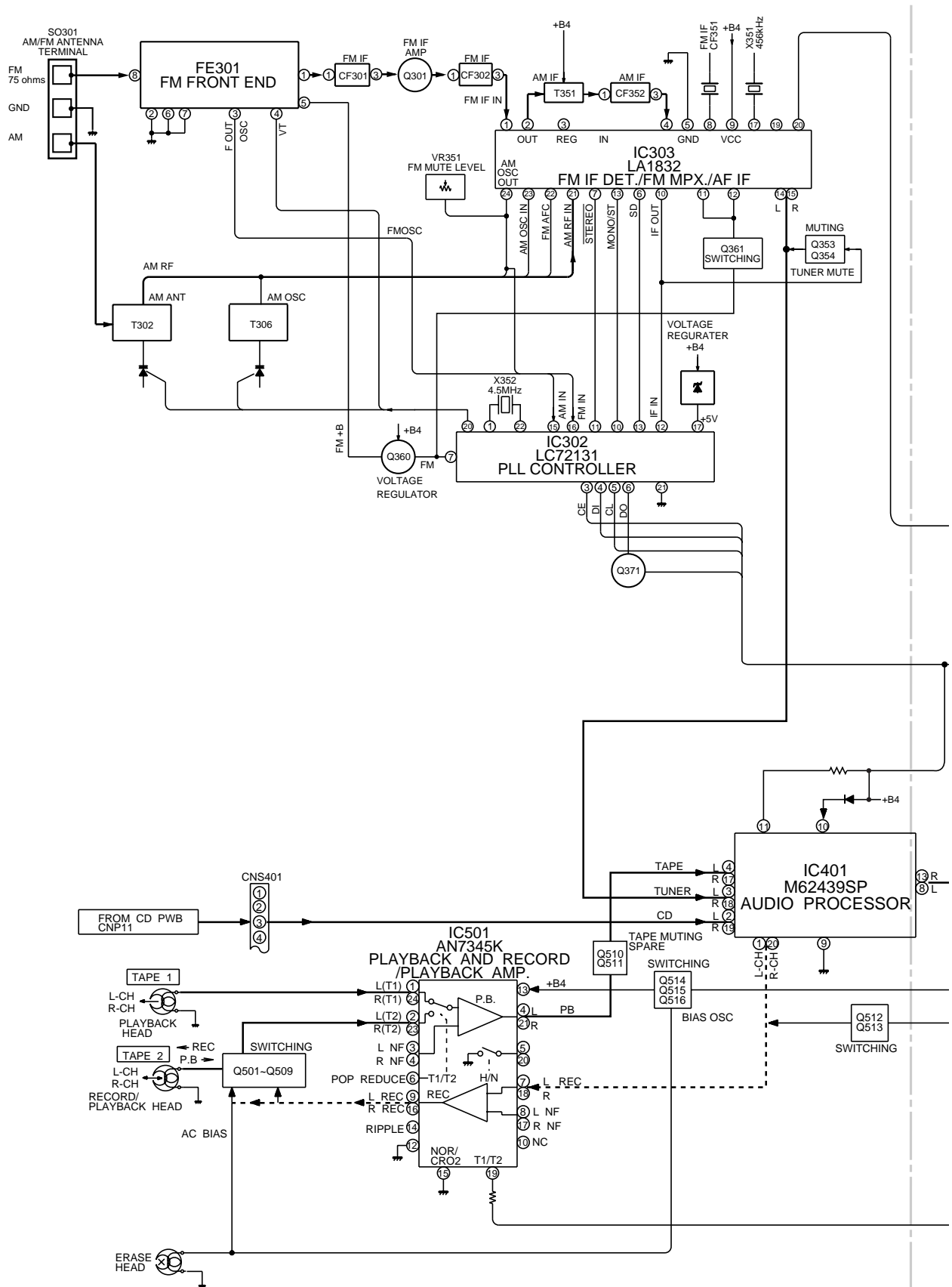


Figure 16 BLOCK DIAGRAM (4/5)

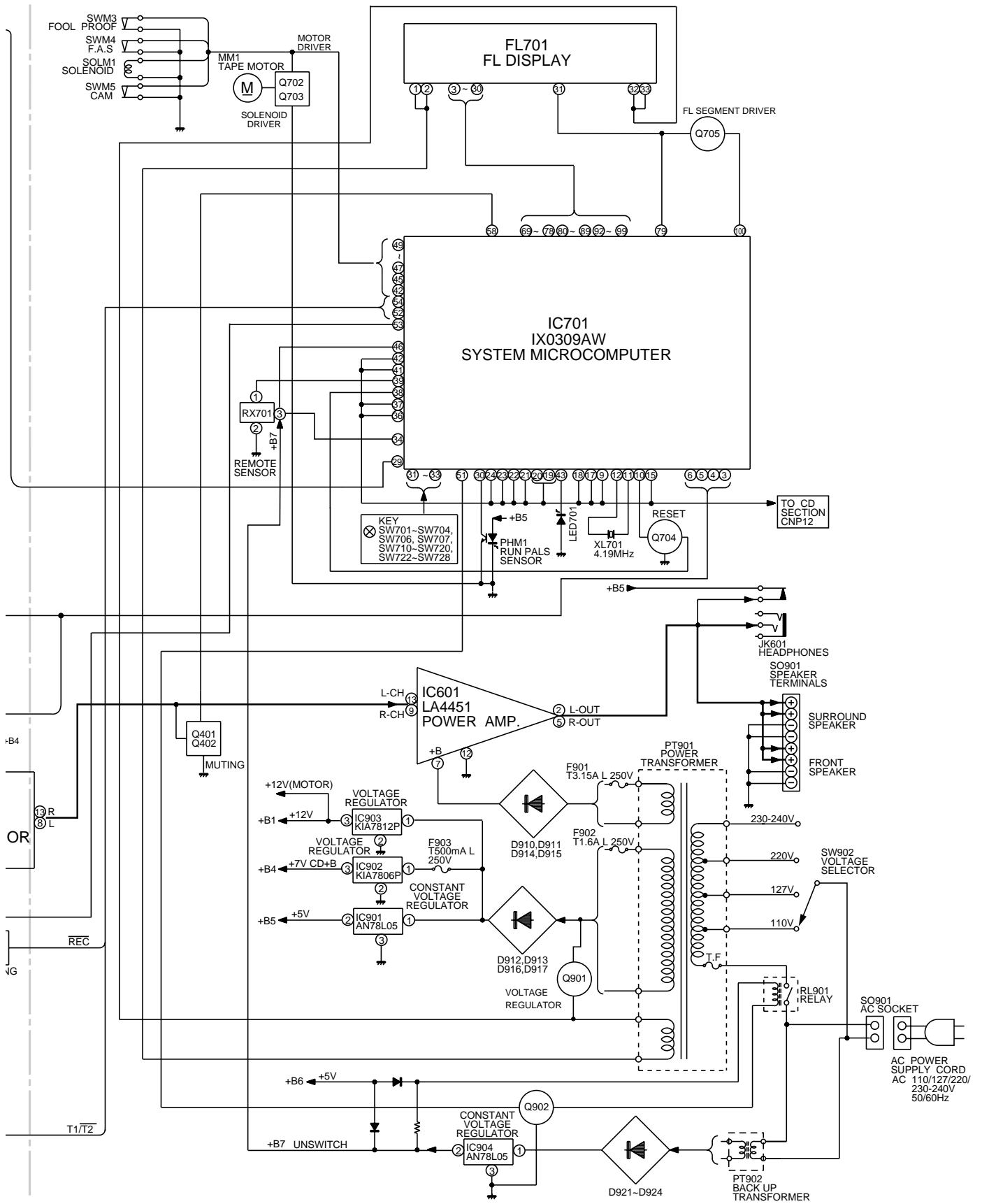
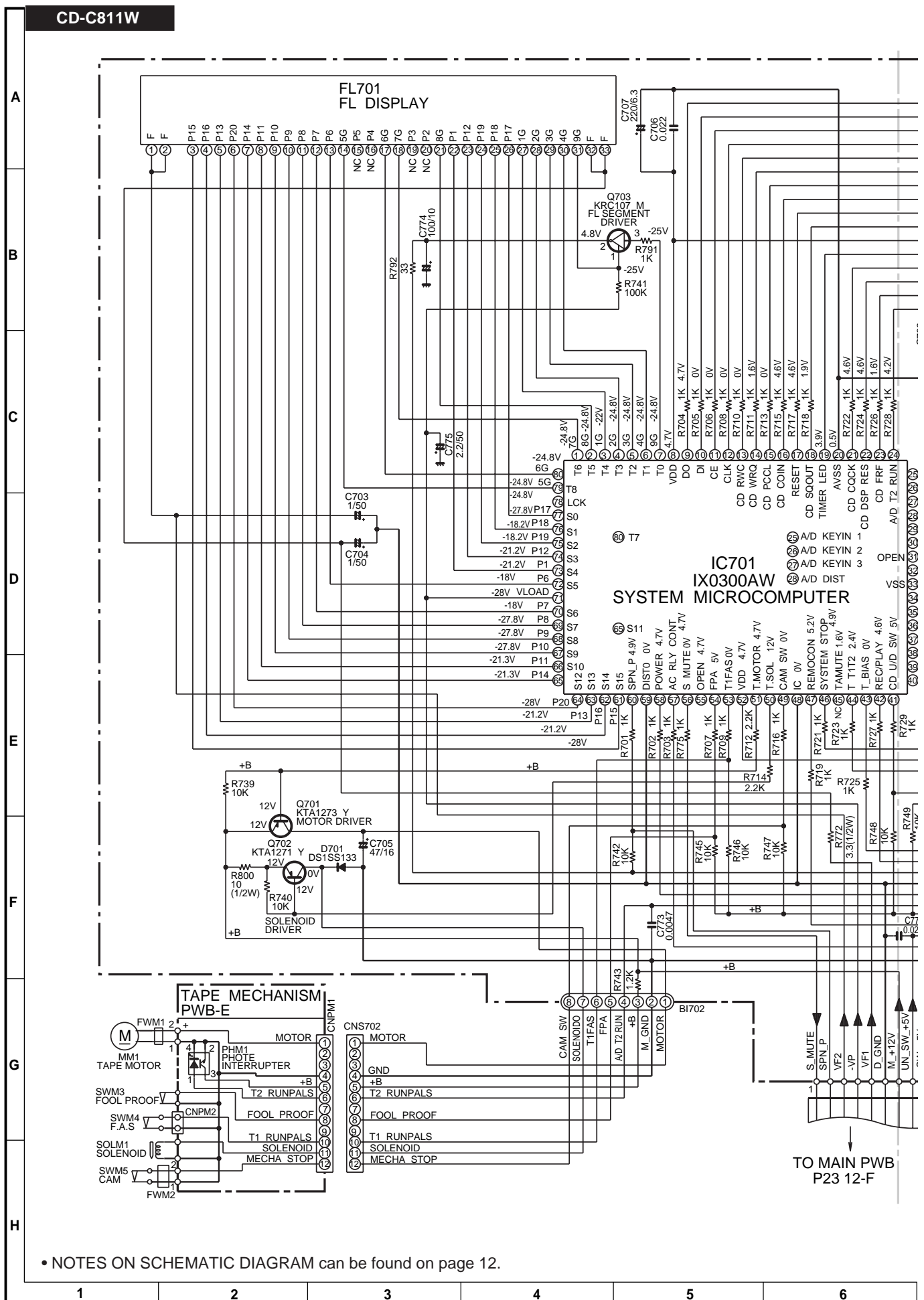


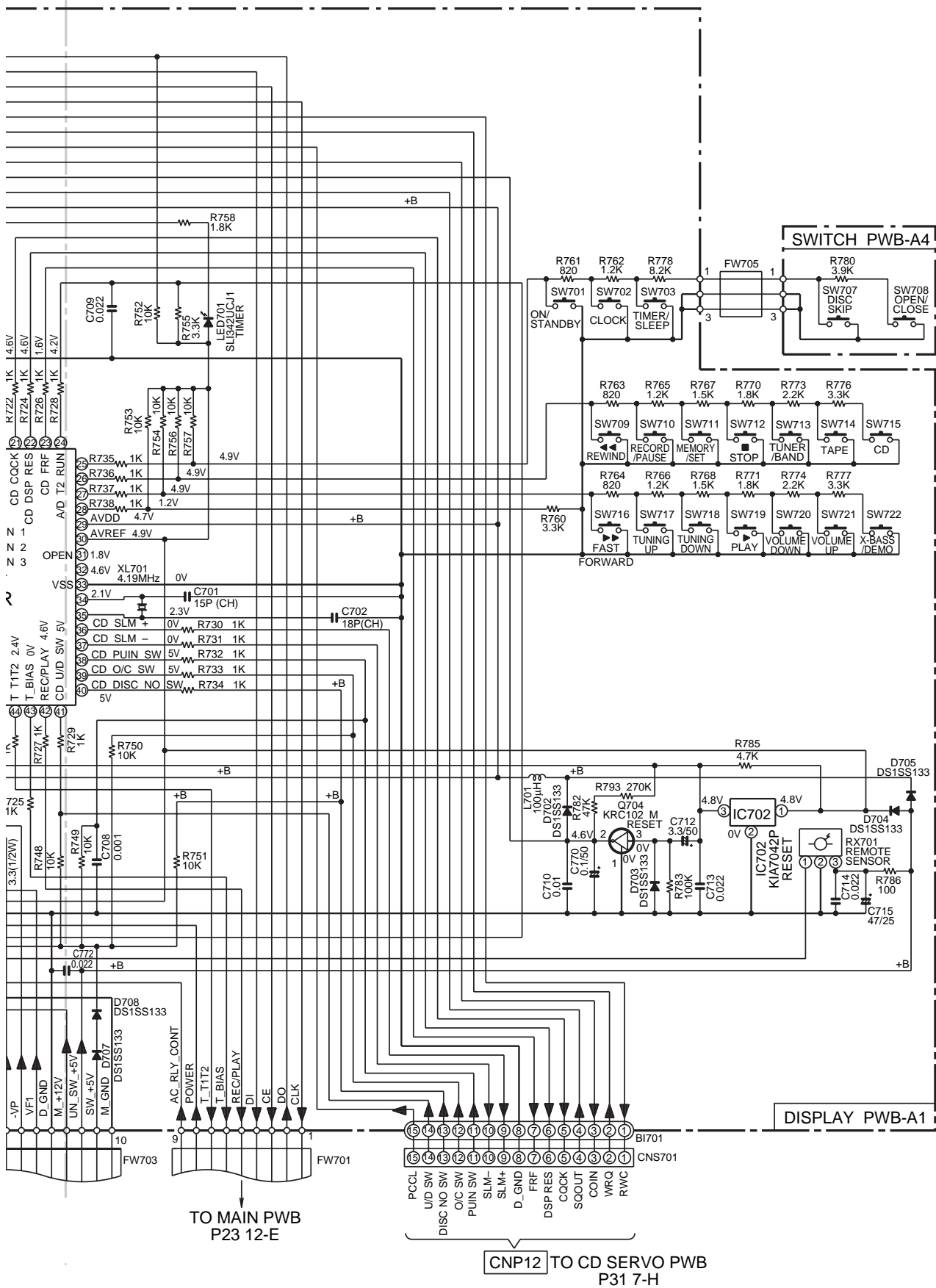
Figure 17 BLOCK DIAGRAM (5/5)

CD-C811W



• NOTES ON SCHEMATIC DIAGRAM can be found on page 12.

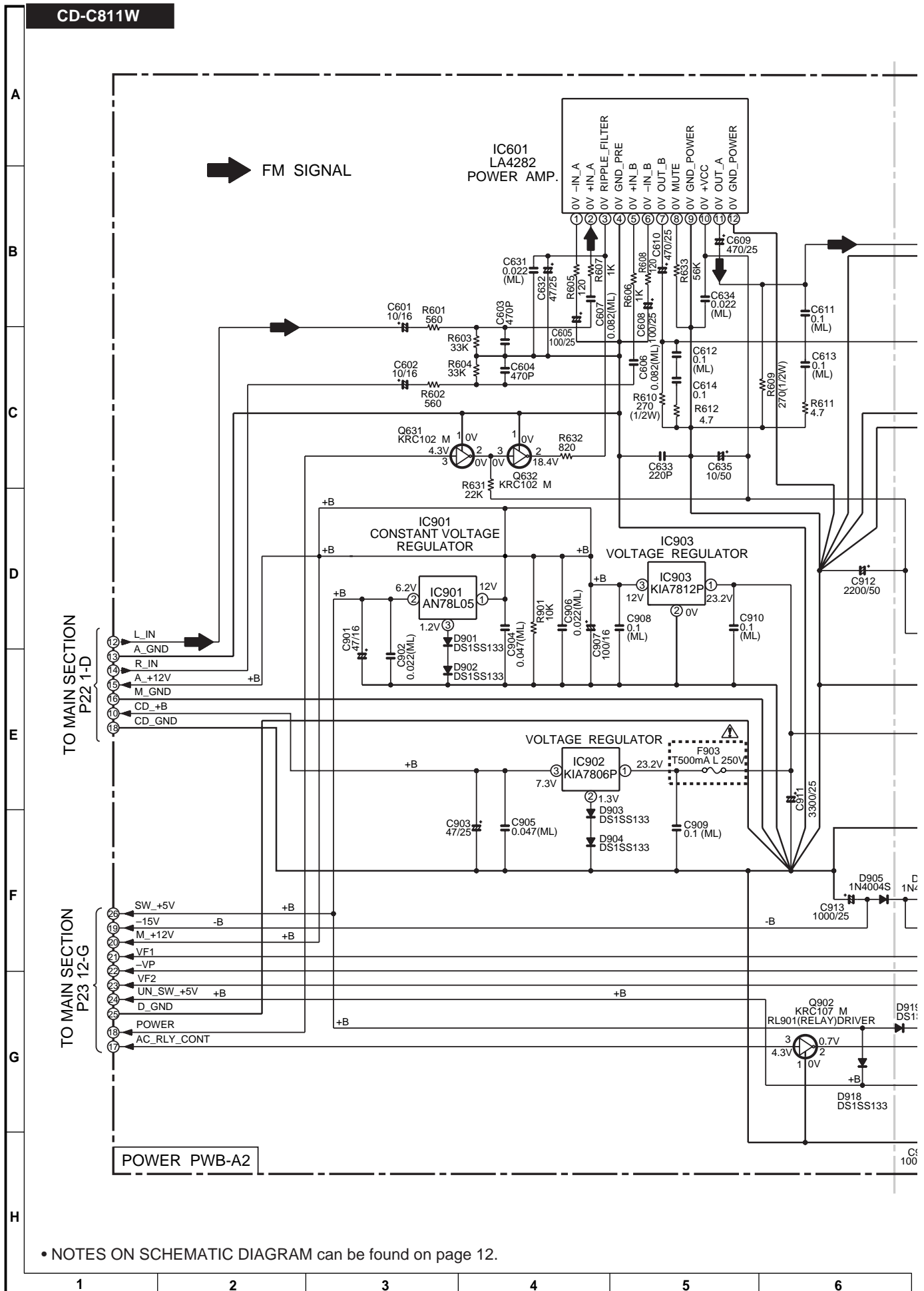
Figure 18 SCHEMATIC DIAGRAM (1/15)



7	8	9	10	11	12
---	---	---	----	----	----

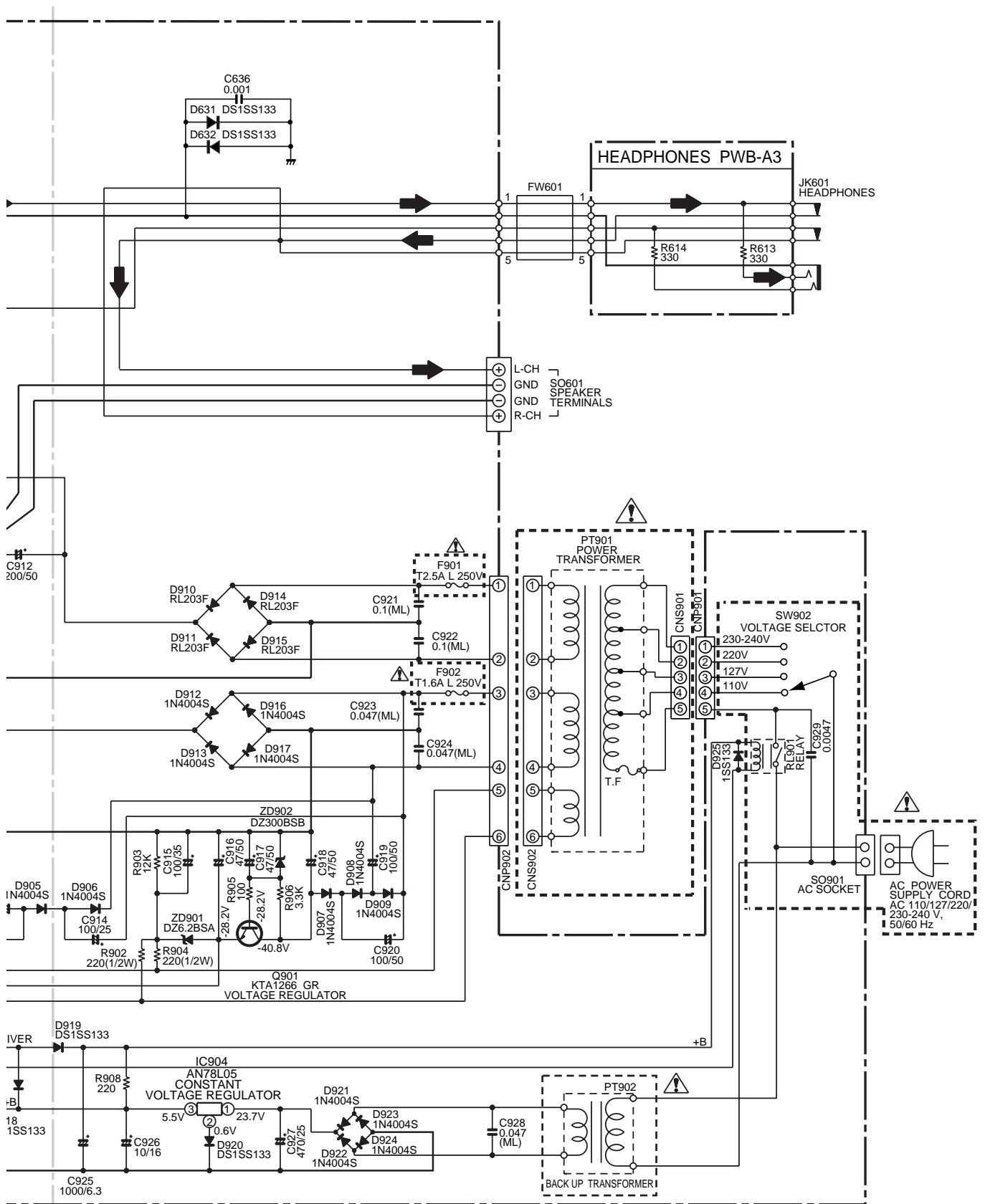
Figure 19 SCHEMATIC DIAGRAM (2/15)





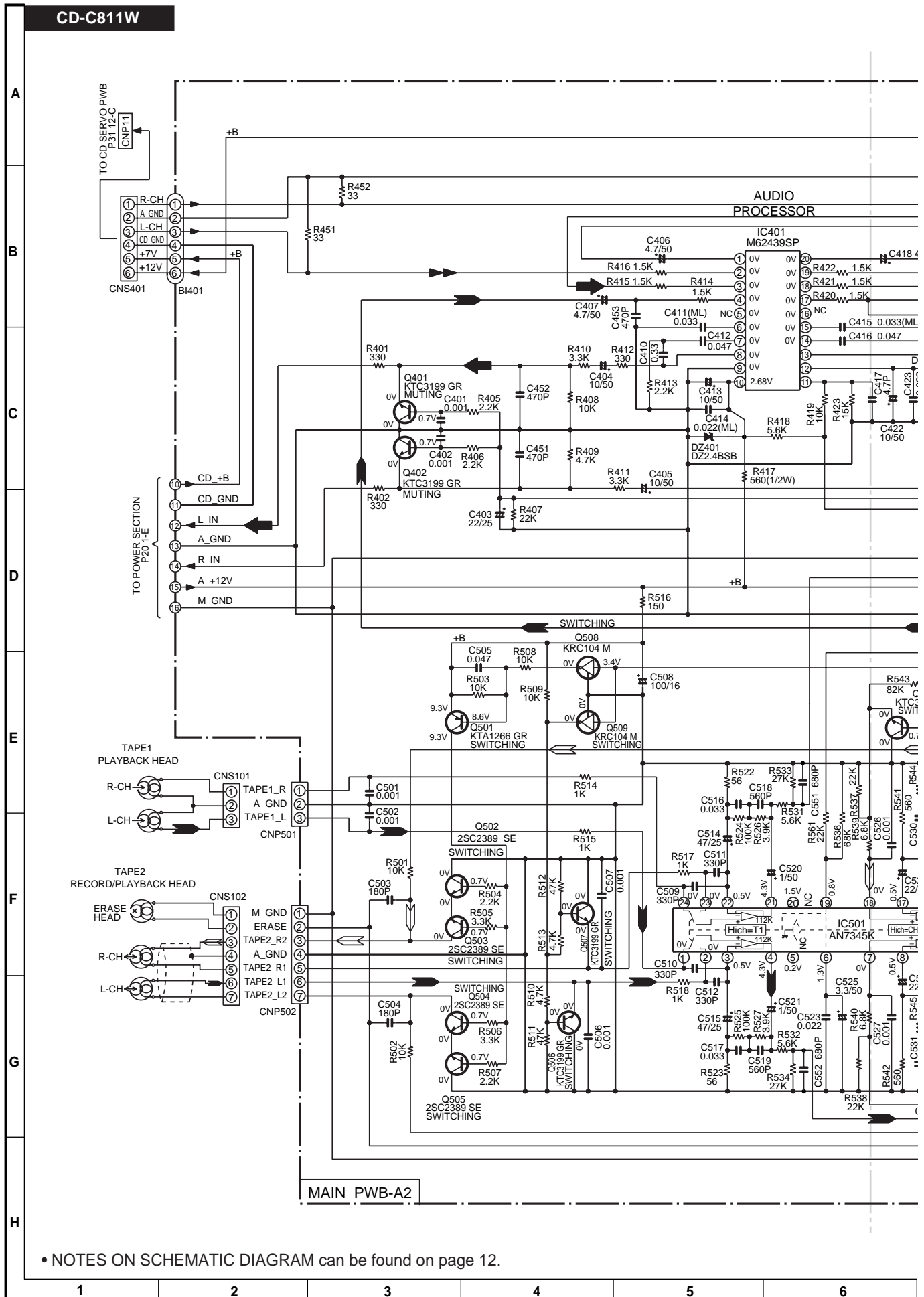
• NOTES ON SCHEMATIC DIAGRAM can be found on page 12.

Figure 20 SCHEMATIC DIAGRAM (3/15)



7	8	9	10	11	12
---	---	---	----	----	----

Figure 21 SCHEMATIC DIAGRAM (4/15)



• NOTES ON SCHEMATIC DIAGRAM can be found on page 12.

Figure 22 SCHEMATIC DIAGRAM (5/15)

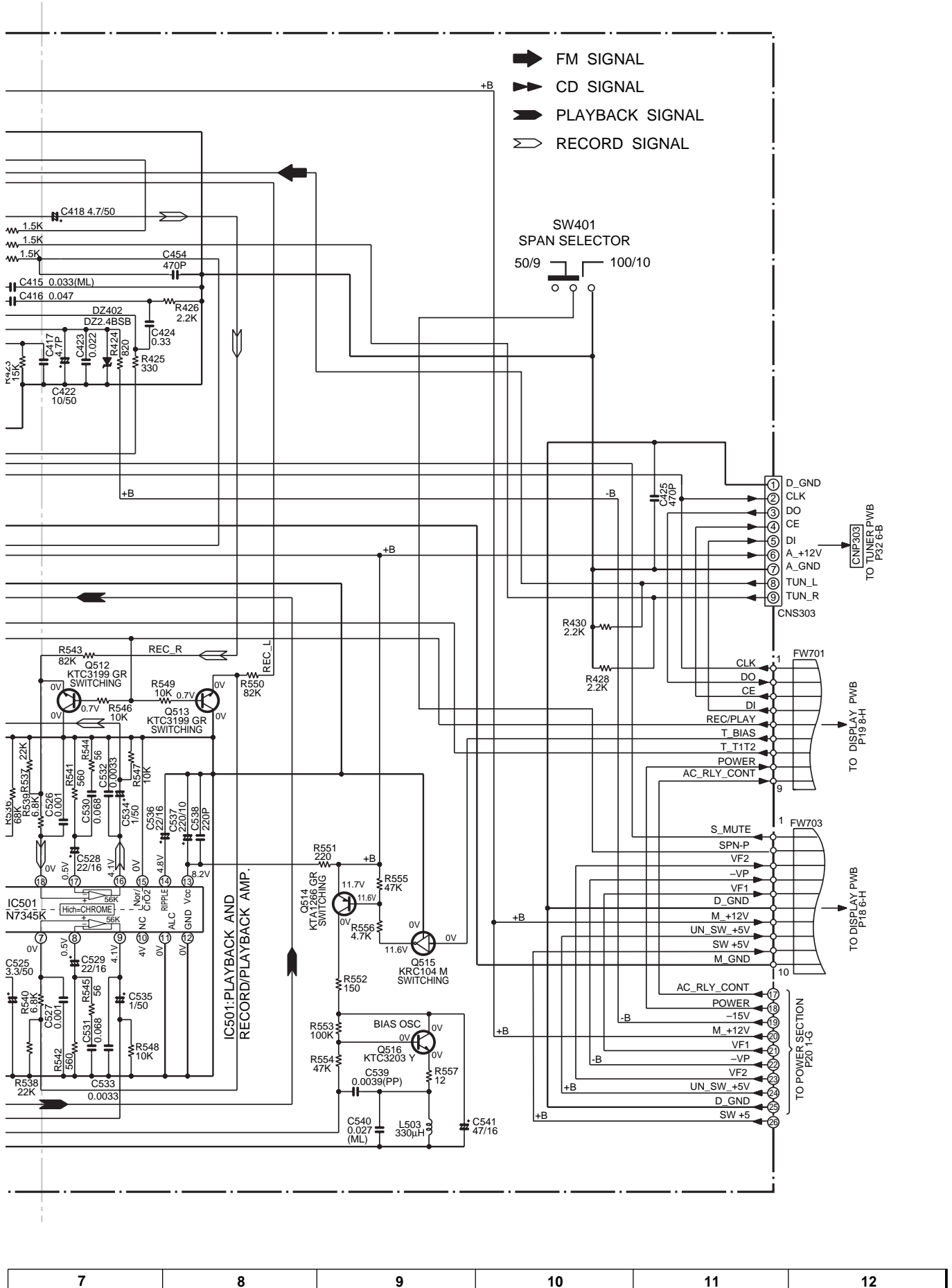
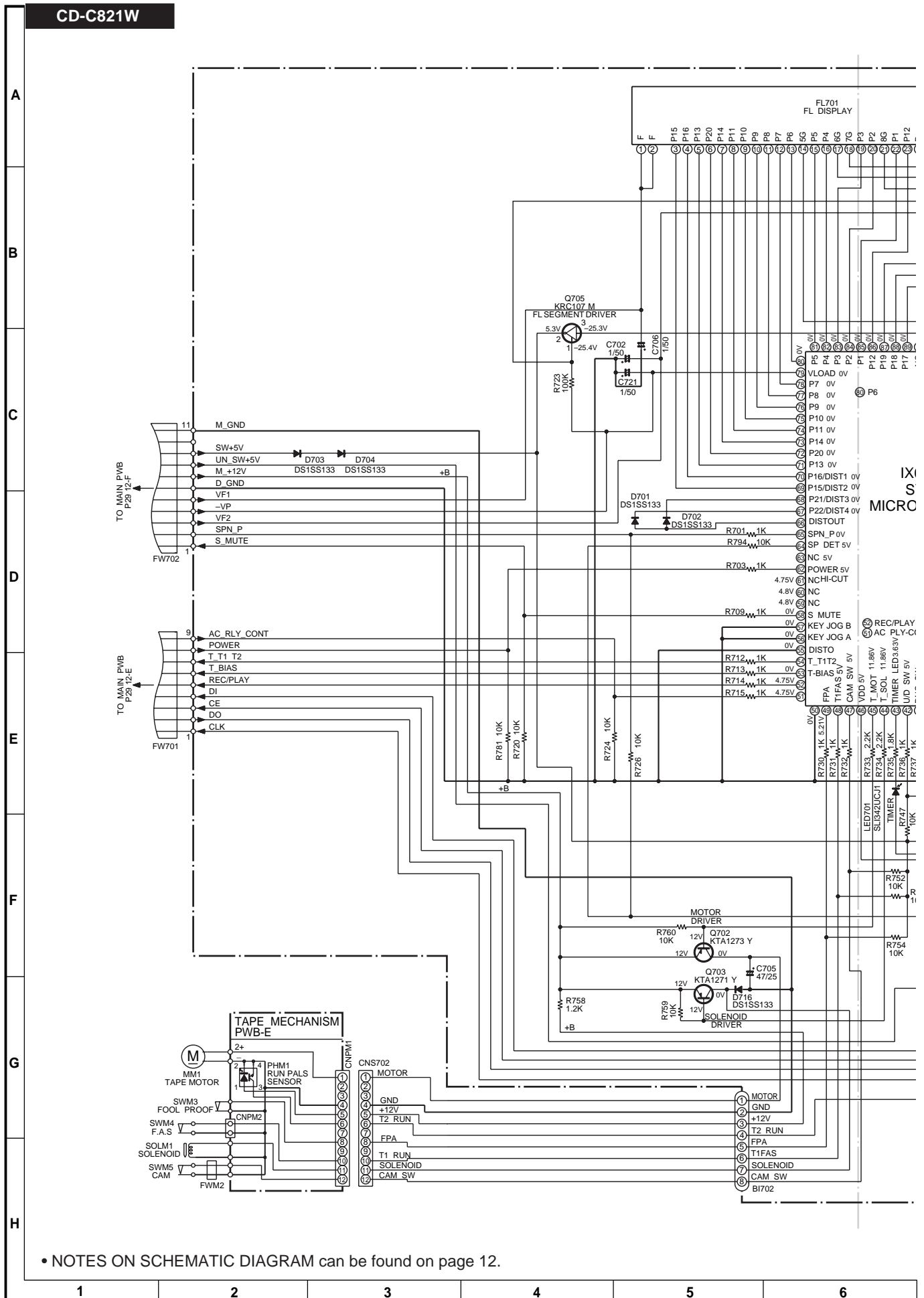


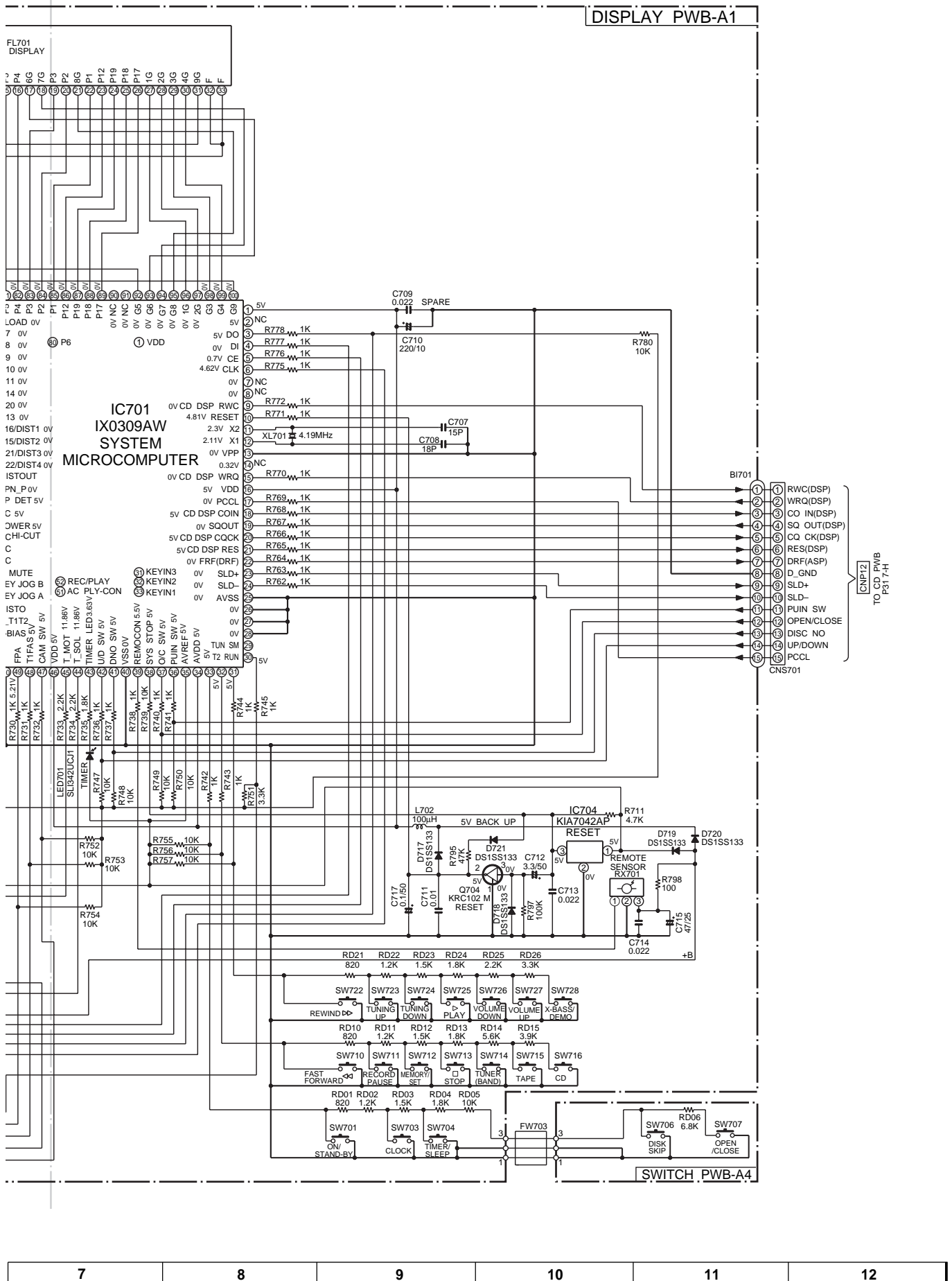
Figure 23 SCHEMATIC DIAGRAM (6/15)

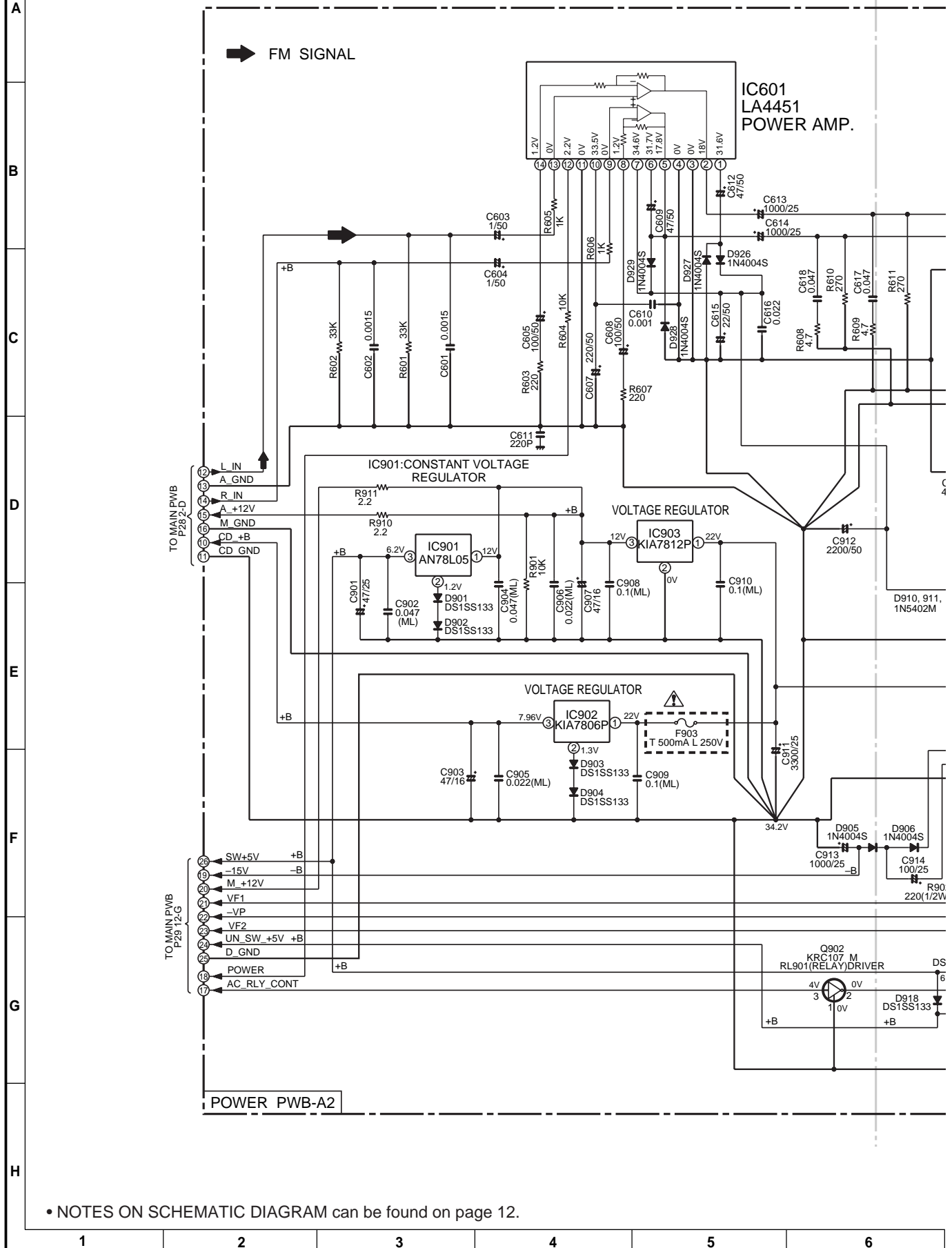
CD-C821W



• NOTES ON SCHEMATIC DIAGRAM can be found on page 12.

Figure 24 SCHEMATIC DIAGRAM (7/15)





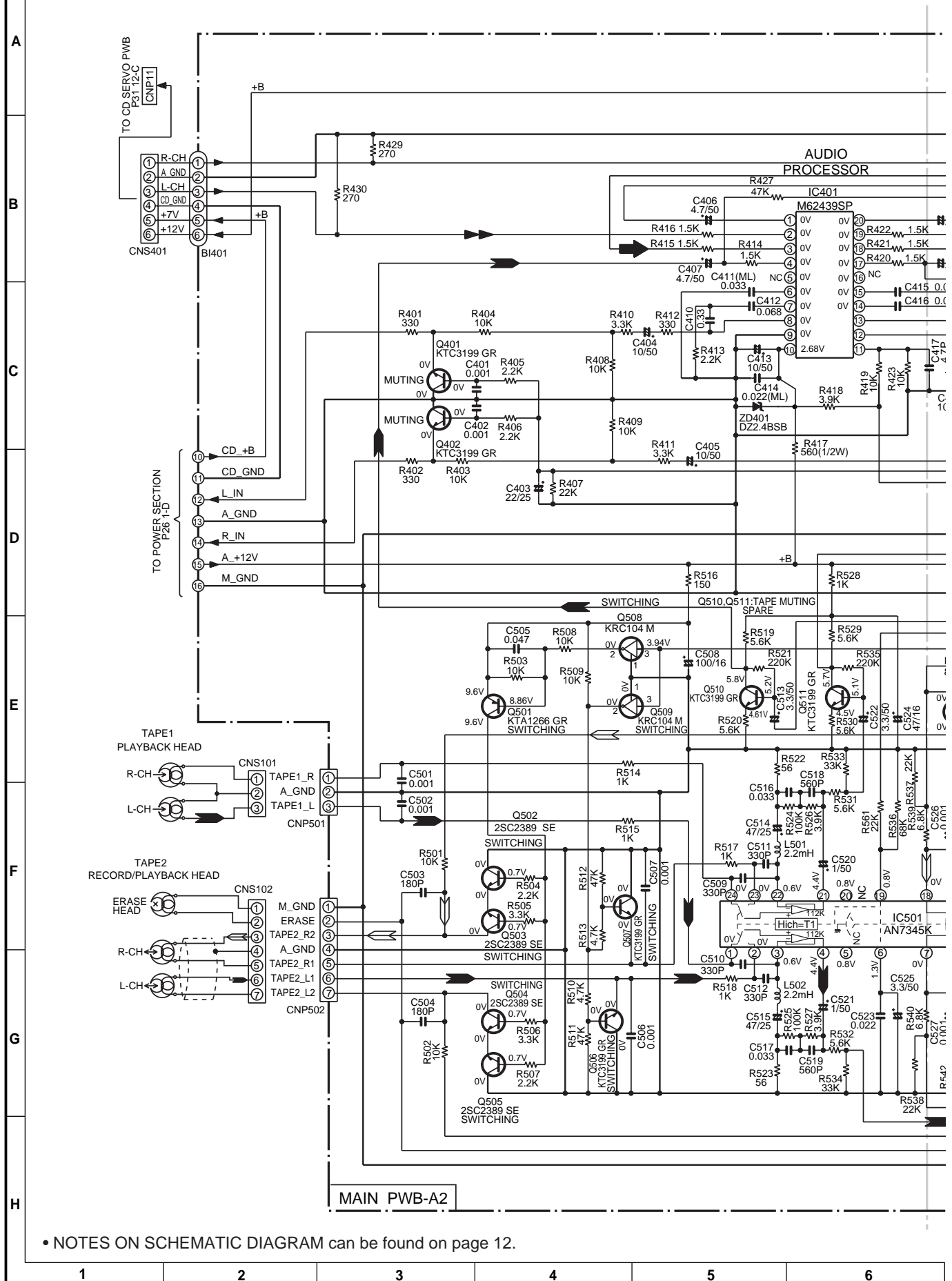
• NOTES ON SCHEMATIC DIAGRAM can be found on page 12.

Figure 26 SCHEMATIC DIAGRAM (9/15)





CD-C821W



• NOTES ON SCHEMATIC DIAGRAM can be found on page 12.

Figure 28 SCHEMATIC DIAGRAM (11/15)

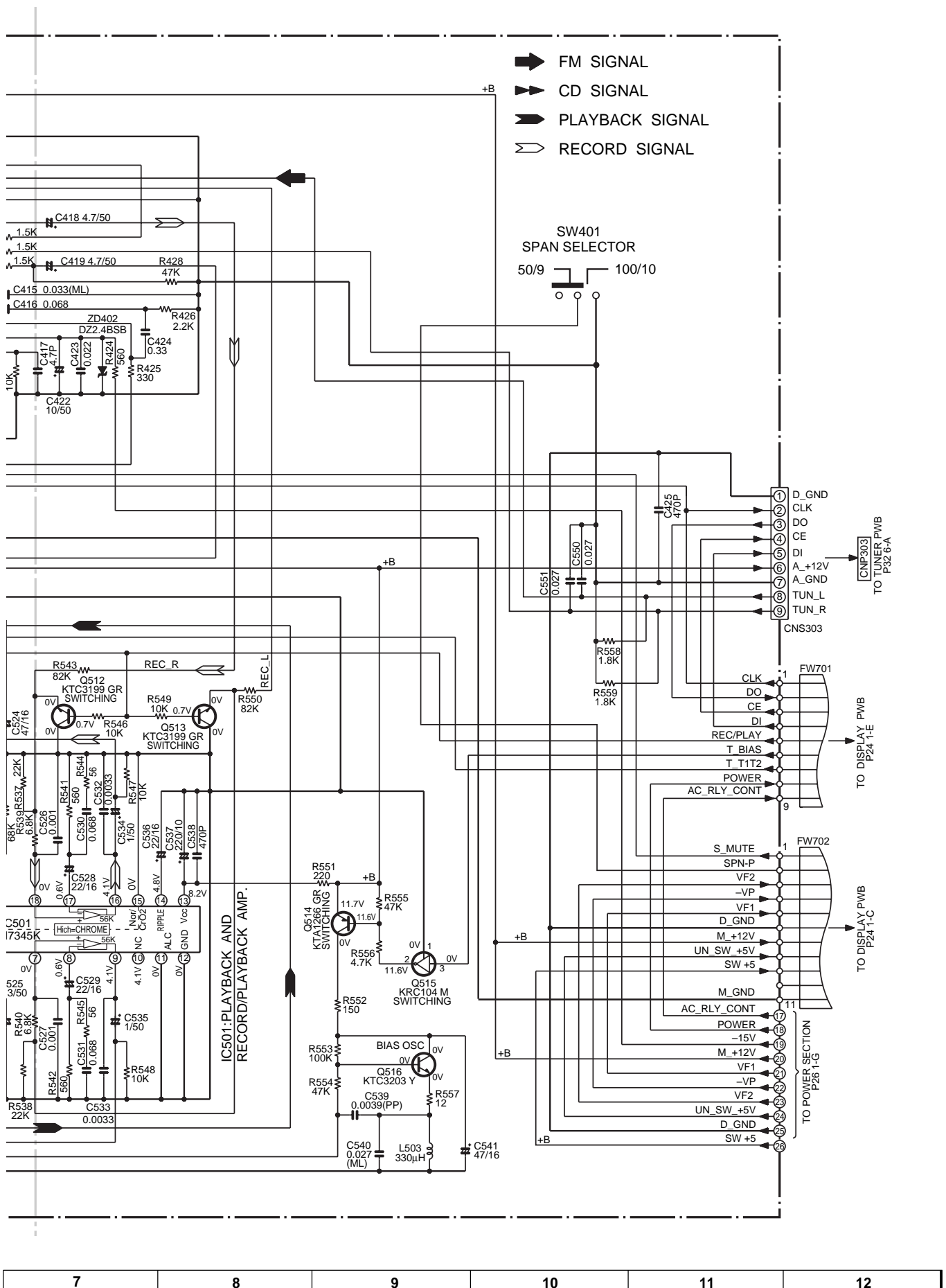
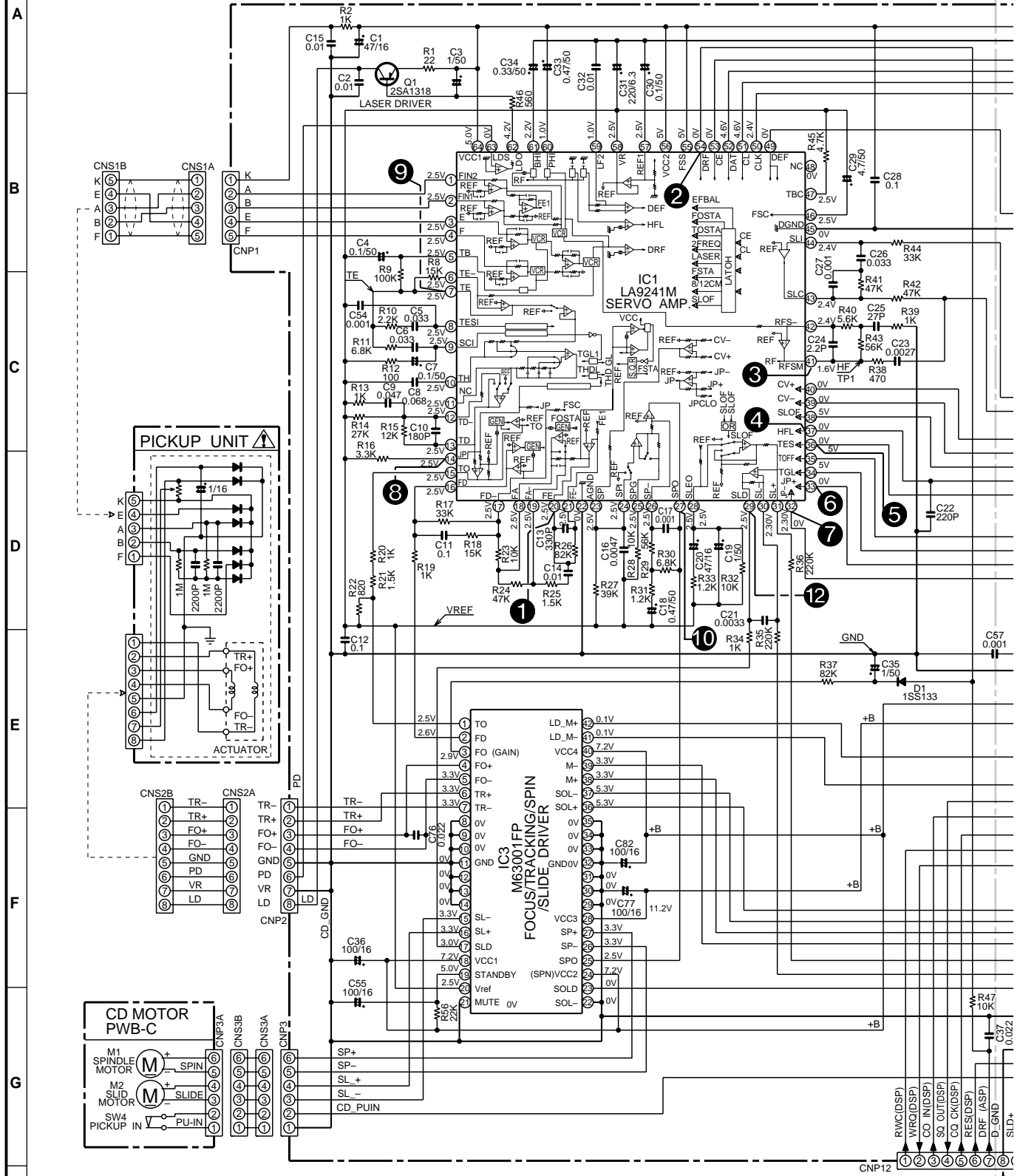


Figure 29 SCHEMATIC DIAGRAM (12/15)



- The numbers ① to ⑫ are waveform numbers shown in page 40.
- NOTES ON SCHEMATIC DIAGRAM can be found on page 12.

Figure 30 SCHEMATIC DIAGRAM (13/15)

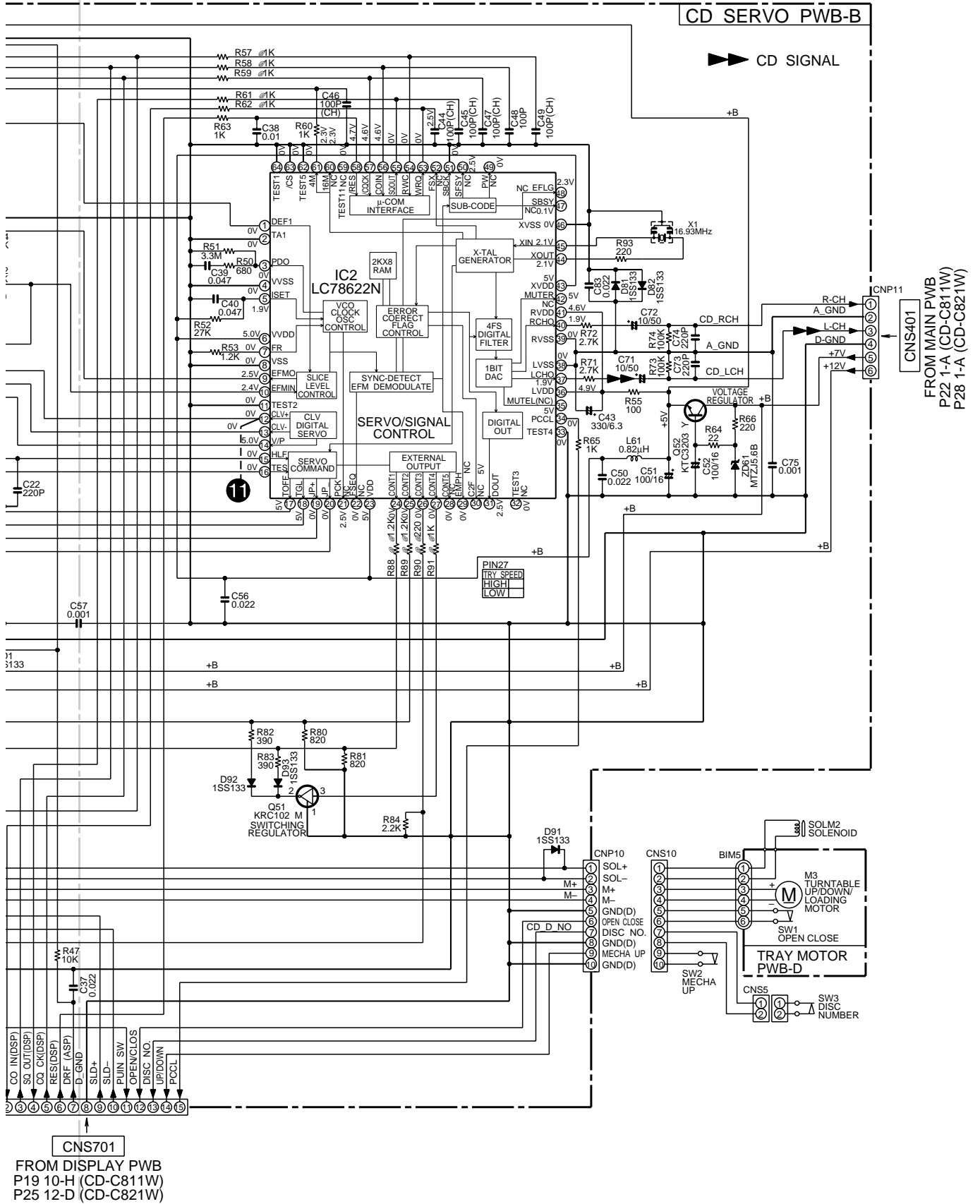


Figure 31 SCHEMATIC DIAGRAM (14/15)

CD-C811W/821W

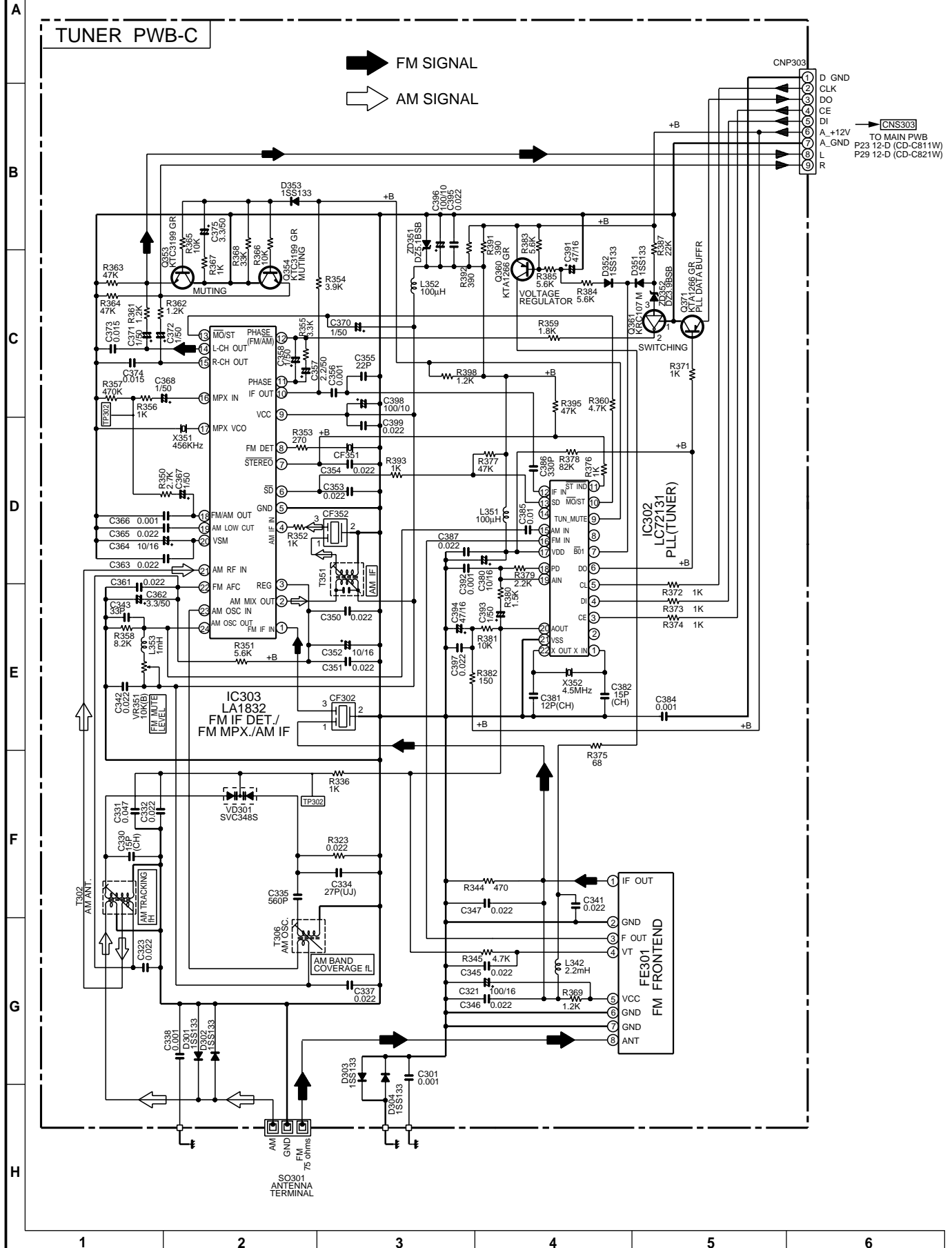


Figure 32 SCHEMATIC DIAGRAM (15/15)