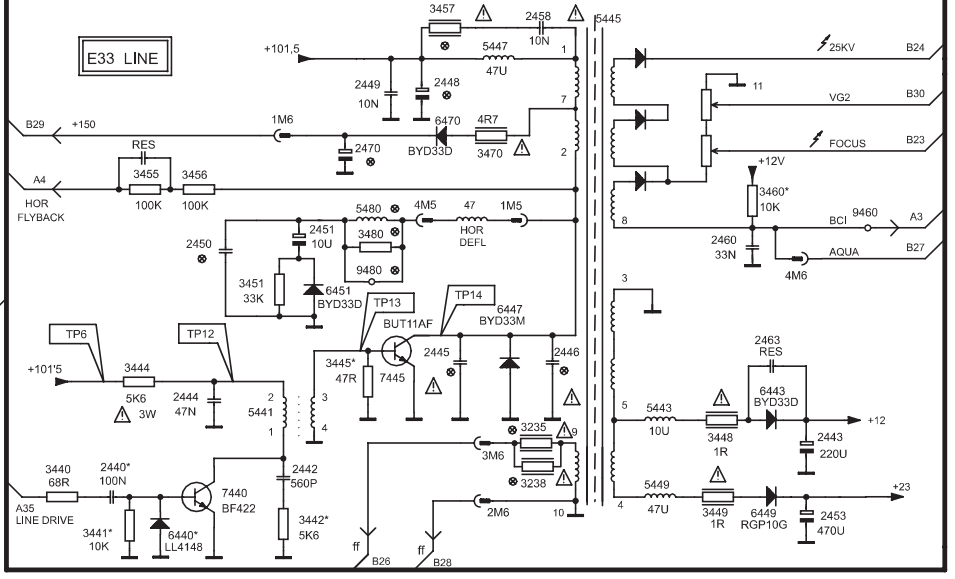
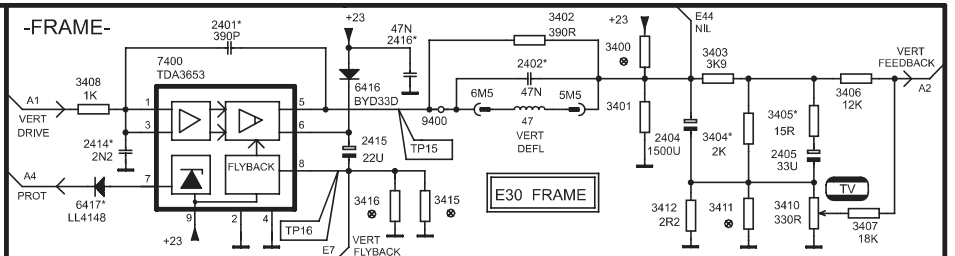
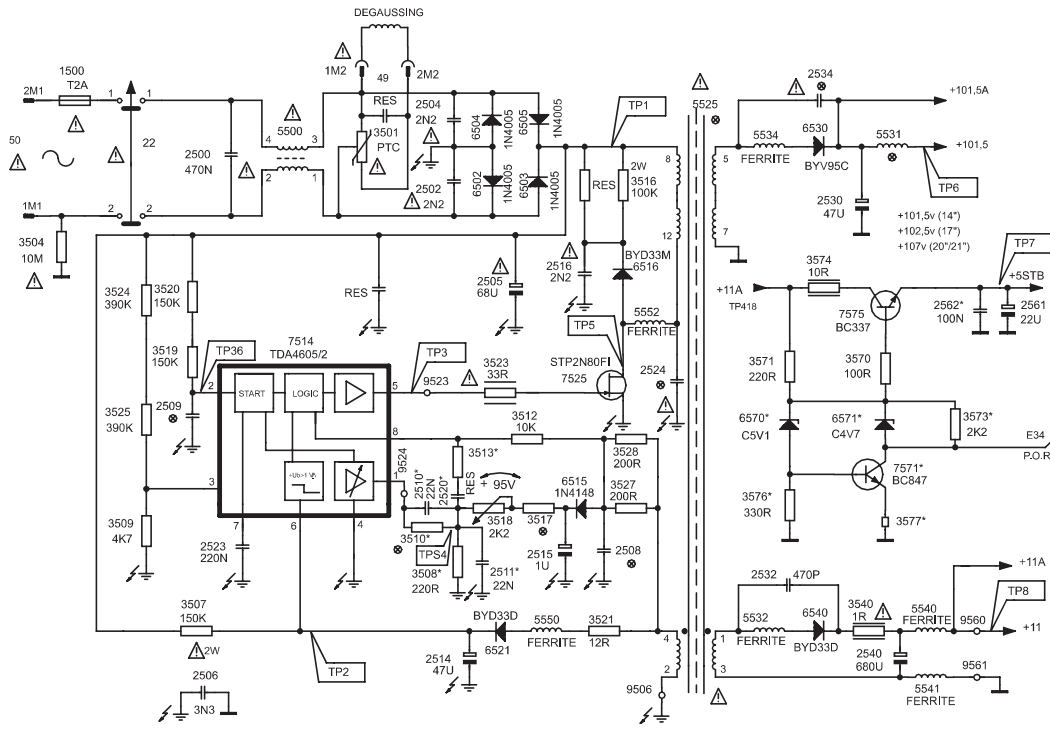




A-B-C-E

F30 POWER SUPPLY



A B C D E F G H I J K L M

	1W	3W
1540	630MA	1A
7187	TDA7052	TDA7056

	PAL BG	PAL-I	PAL/SECAM BG-DK	PAL/SECAM BG-L-L'	PAL/SECAM BG-L-L'-I
1001	UV1315	UV1343	UV1315	UV1315	UV1315
1015	G1961	J1951	G1961	K3953	G3957
1032	5.5MHz	---	5.5MHz	5.5MHz	5.5MHz
1033	---	6.0MHz	---	6.0MHz	---
1136	5.5MHz	---	6.5MHz	---	6.0MHz
1138	---	6.0MHz	5.5MHz	---	5.5MHz
2002	---	---	5P6	---	5P6
2017	47U	47U	47U	100U	100U
2025	2U2	2U2	2U2	4U7	4U7
2152	---	---	---	10U	10U
3010	0R05	0R05	0R05	68R	68R
3019	150R	150R	150R	3K6	3K6
3152	0R05	0R05	---	---	---
3173	---	---	0R05	---	620R
3604	150R	150R	150R	22R	22R
5010	1U2	1U2	1U2	0U56	0U56
5040	0MUH19	0MUH19	---	---	---
6020	---	---	---	2V4	2V4
6170	---	---	0R05	---	620R
7015	TDA8360/1	TDA8360/1	TDA8362	TDA8362	TDA8362
9111	JMP	JMP	---	---	---
9156	JMP	JMP	---	---	---

	14	17	20 PH	21 PH	20 SAM	21 SAM
2445	---	220P	---	---	470P	---
2446	8N2	8N2	9N1	9N1	9N1	8N2
2448	10U	47U	47U	47U	47U	47U
2450	470N	330N	330N	470N	330N	470N
2470	10U	22U	22U	22U	22U	22U
3238	---	---	---	---	1R	2R
3400	---	2K4	2K4	2K4	2K4	2K4
3401	2K4	1K2	1K2	1K2	1K2	1K2
3480	---	1K2	1K2	1K2	1K2	1K2
5480	---	AT4042	AT4042	AT4042	AT4042	AT4042
5500	CU15	CU15	CU15D3	CU15D3	CU15D3	CU15D3
9480	JMP	---	---	---	---	---

	14/17"	20/21"
2202	22N	100
2204	330P	470P
2206	1U	10U
2217	330P	470P
2230	270P	470P
2237	15N	33N
2508	6N8	3N9
2509	3N9	3N3
2524	1N	470P
2534	1N	---
3208	430R	360R
3221	430R	360R
3222	560R	390R
3225	3K3	3K9

	14/17"	20/21"
3235	1R	2R
3244	430R	360R
3289	8K2	15K
3404	2K	2K7
3407	18K	12K
3412	2R2	1R5
3415	2K2	1K5
3416	2K2	1K5
3457	27R	47R
3510	750R	1K2
3517	6K2	5K6
5445	LOT 14	LOT 20
5525	SOPS 14	SOPS 20
5531	9X3.5	SPT0508A