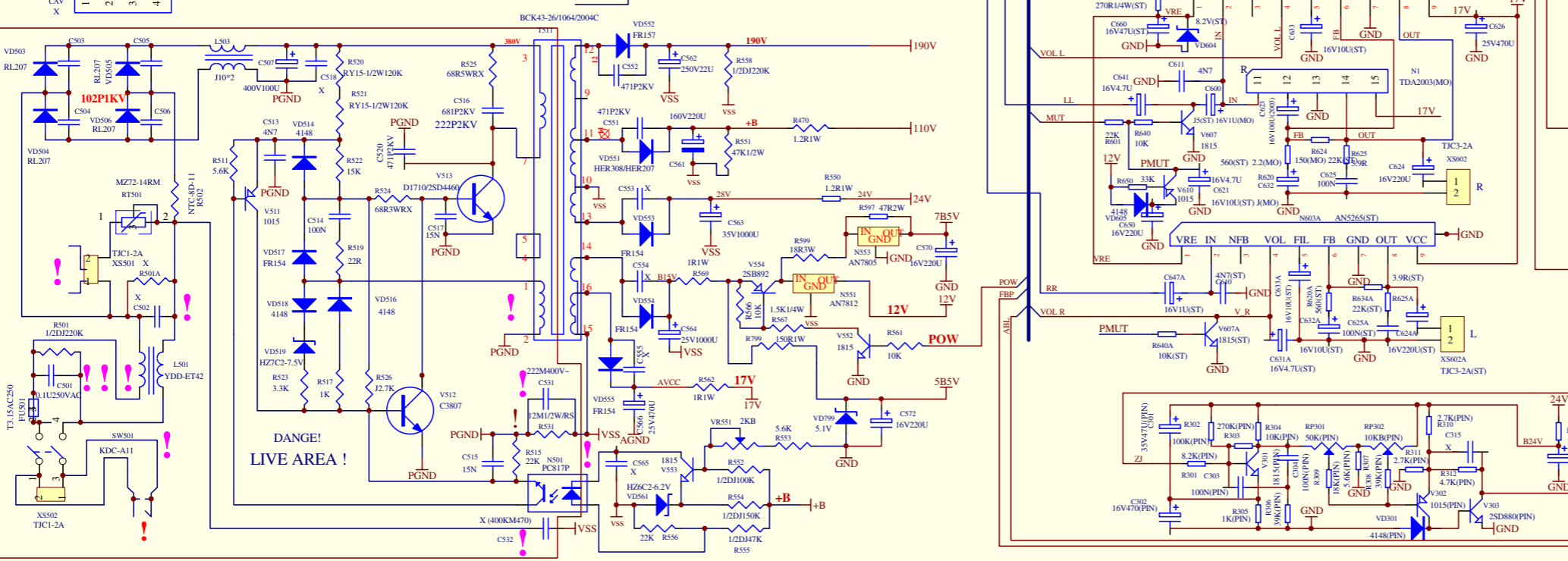
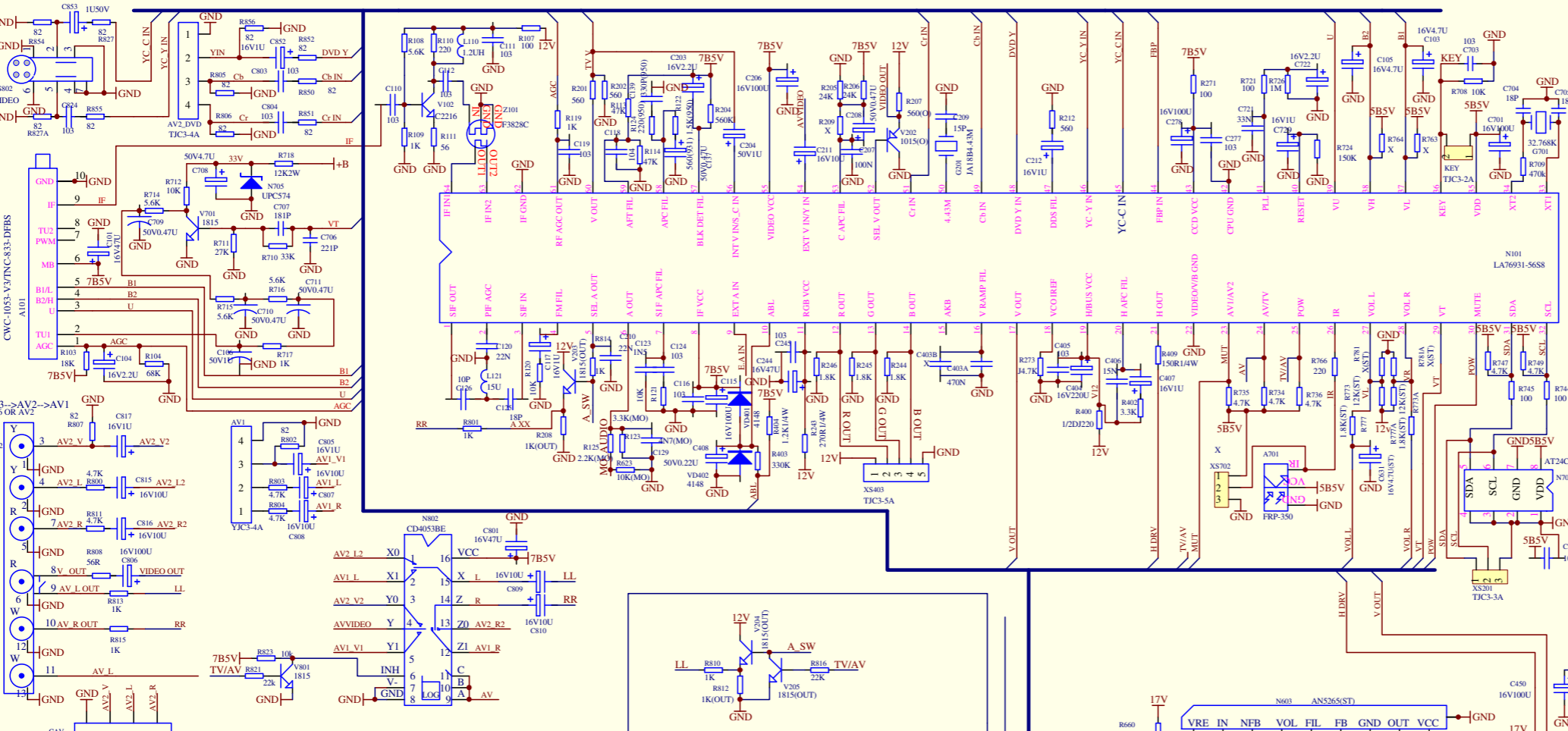
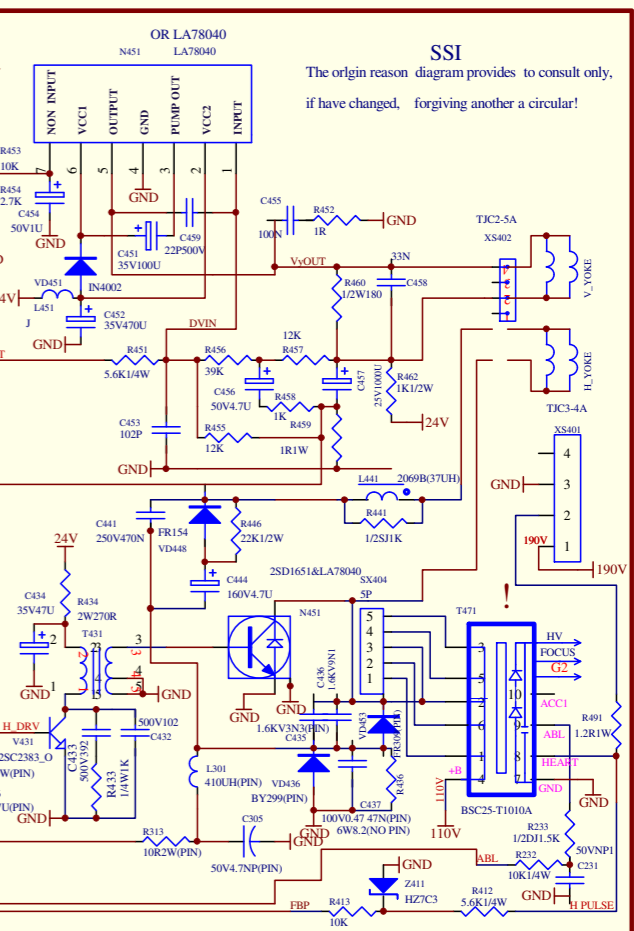
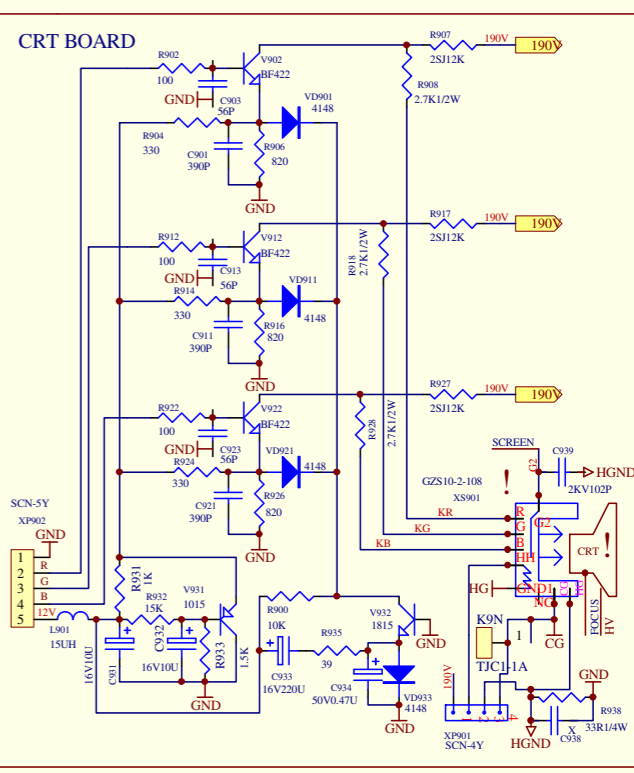


MAIN BOARD Colour television electric circuit principle diagram (PAL/NTSC/SECAM(OPTION)-D/K, I, B/G, MN)



NO:SL-LA76931-247 050704_UPDATE



Drawing Titles	三洋机芯CJ38 电路图		Remarks:
Drawing NO	Scale	潮州市创佳电子有限公司	The origin reason diagram provides to consult only, if have changed, forgoing another a circular!
Drawer	Date	CHAOZHOU CANCA ELECTRONIC CO.,LTD	