

This file is provided FREE OF CHARGE from the
electromaniacs.com community

You are free to distribute this file to other persons
who needs it , but without of charge

Also on <http://electromaniacs.com> you can find
thousands of service manuals , schematics free of
charge





website: <http://biz.LGservice.com>
e-mail: <http://www.LGService.com/techsup.html>

TELEVISOR A COLORES

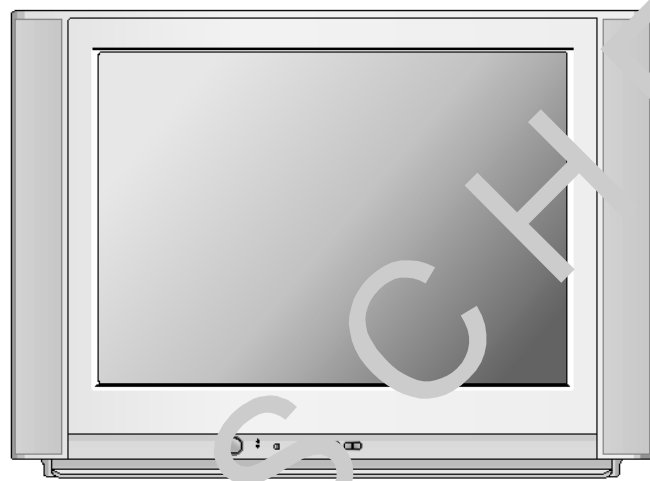
MANUAL DE SERVICIO

CHASIS : MC-049A

MODELO : RP-29CC26

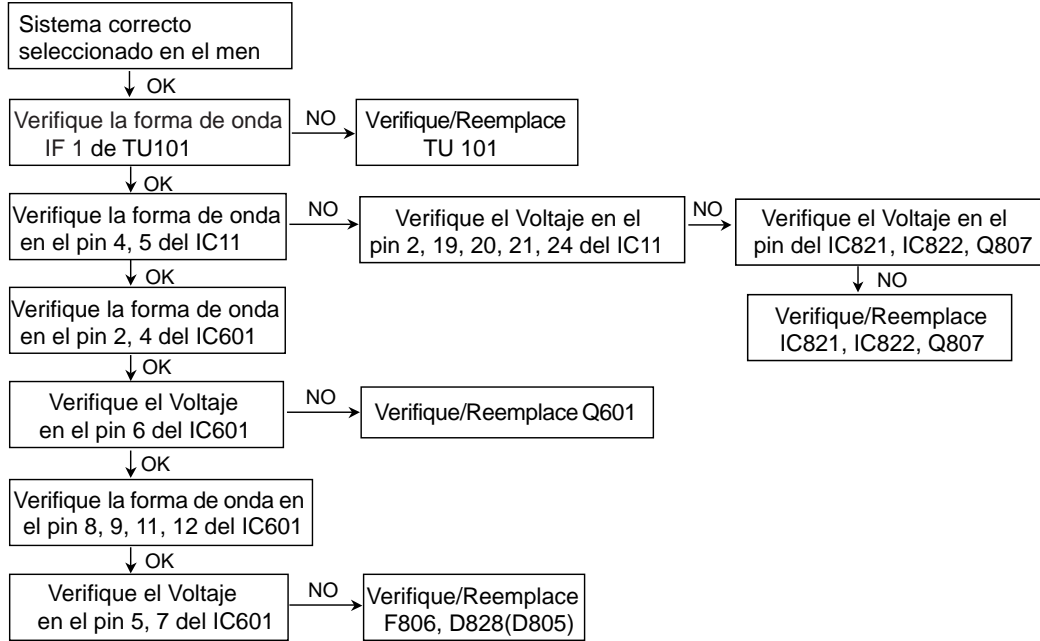
ATENCIÓN

Antes de dar servicio al chasis, lea las PRECAUCIONES DE SEGURIDAD en este manual.

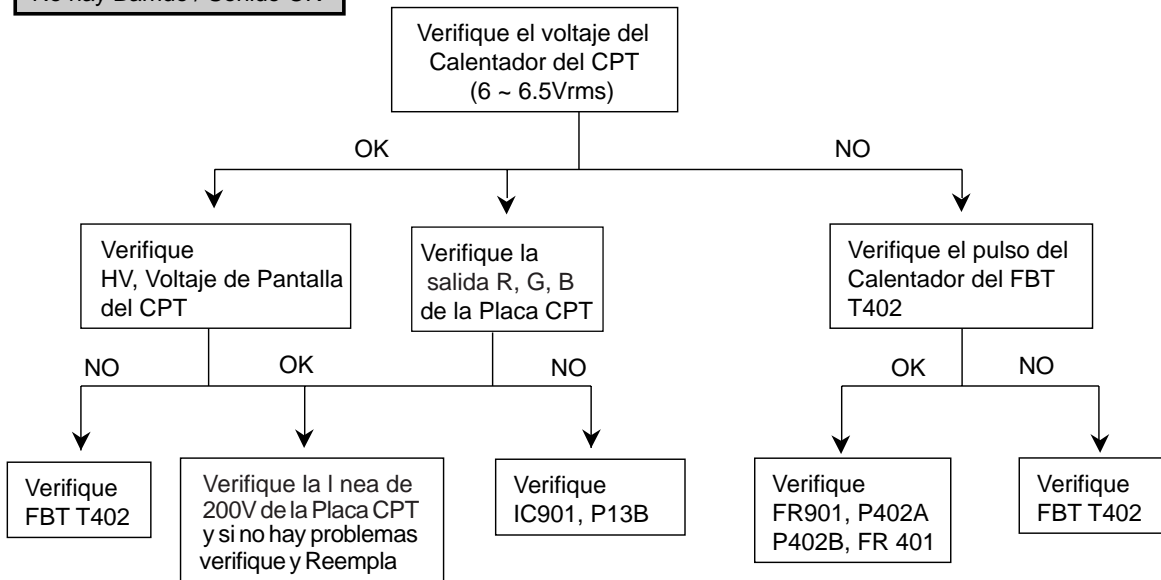


BÚSQUEDA DE FALLAS

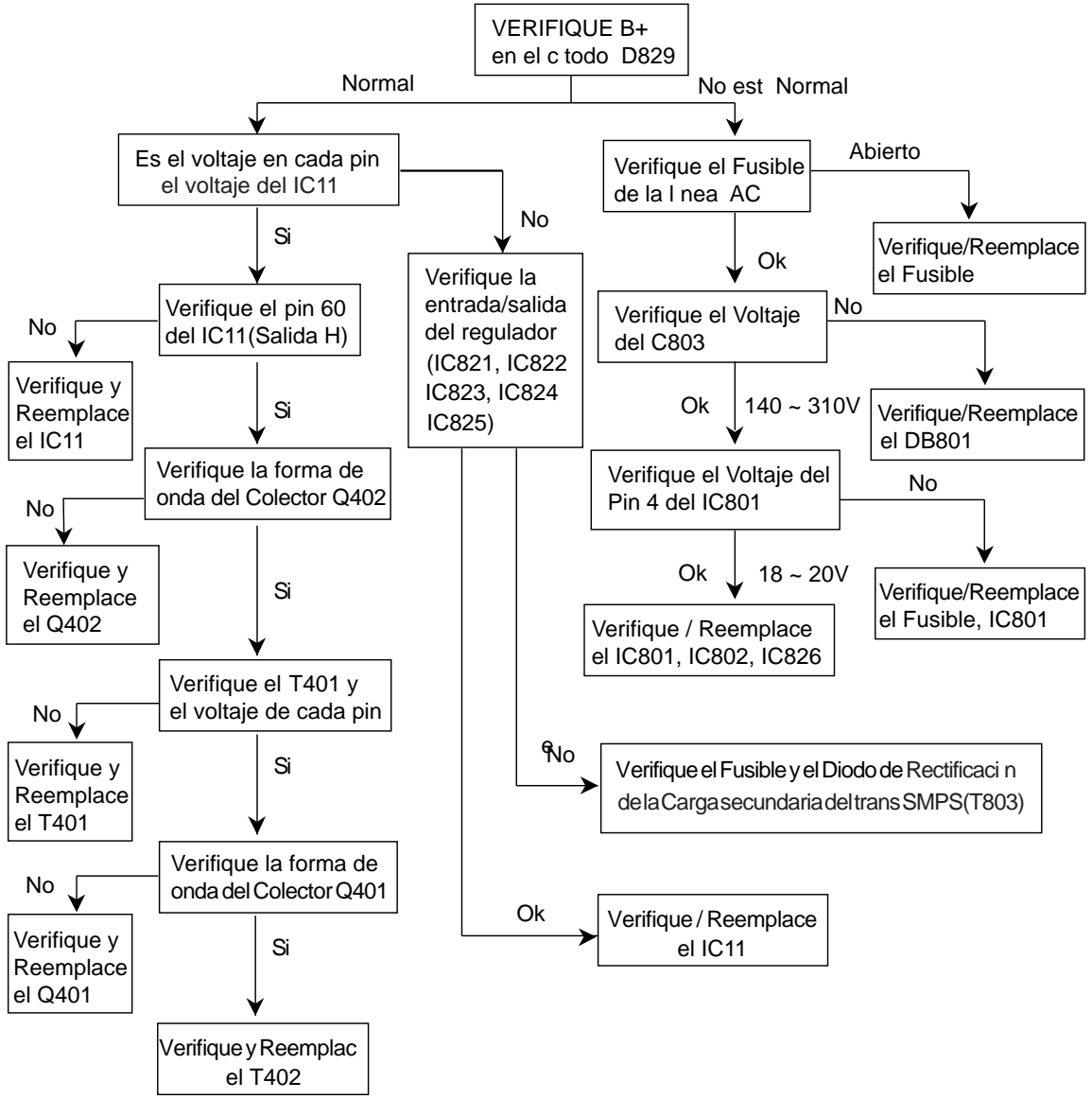
EST REO RF



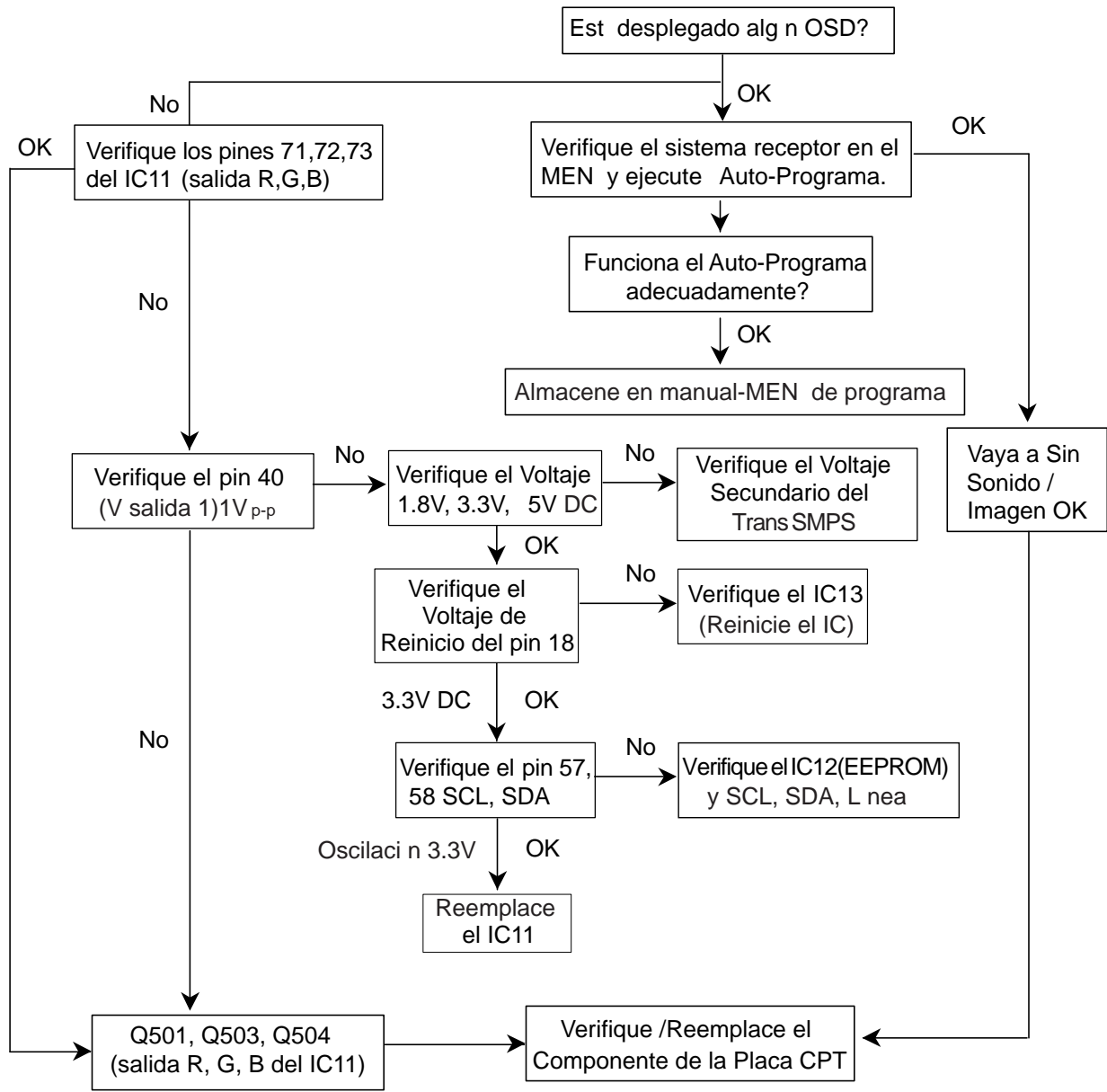
No hay Barrido / Sonido OK



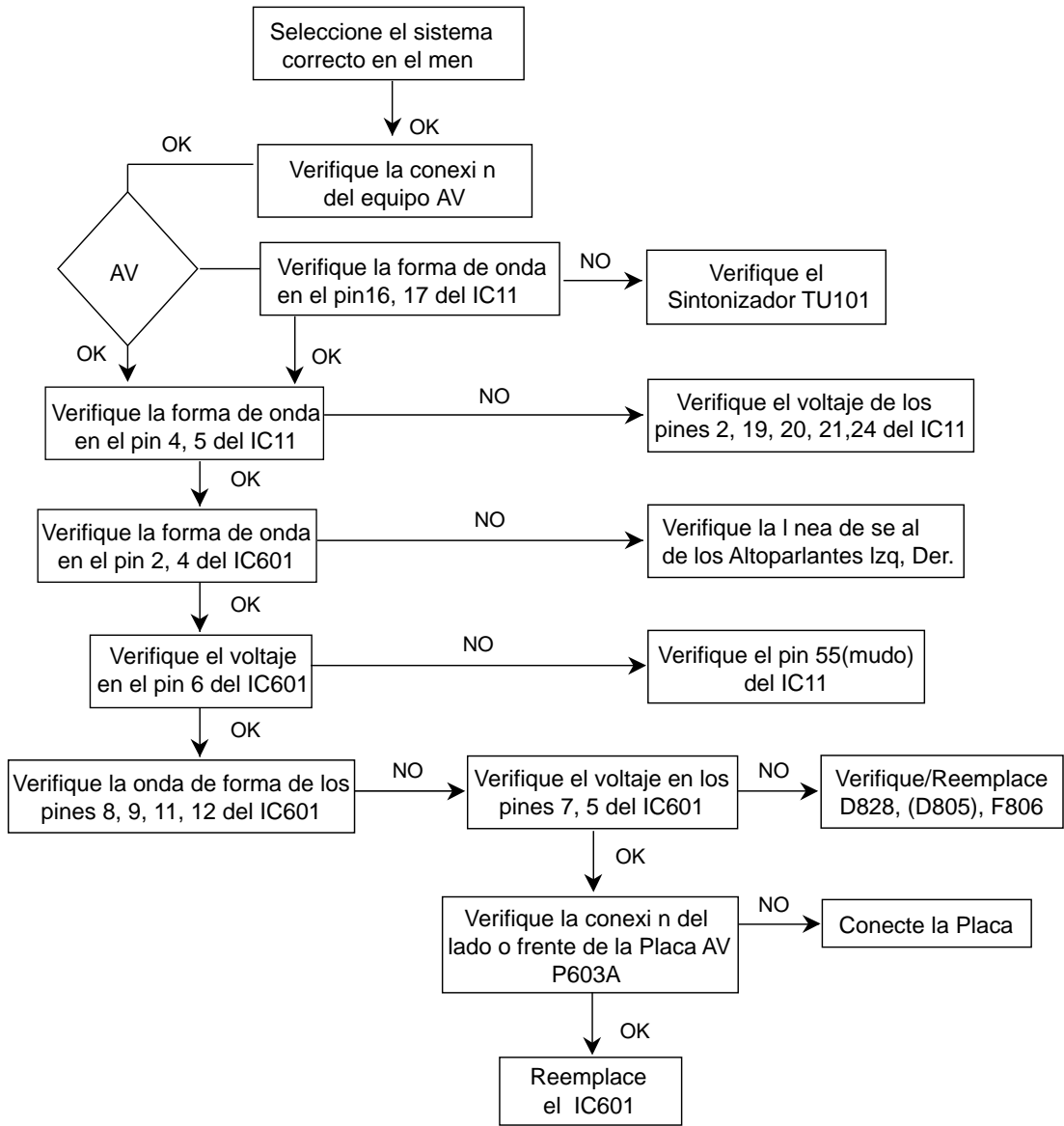
NO HAY BARRIDO

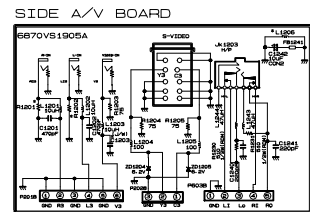


Sin Imagen / Sin Sonido

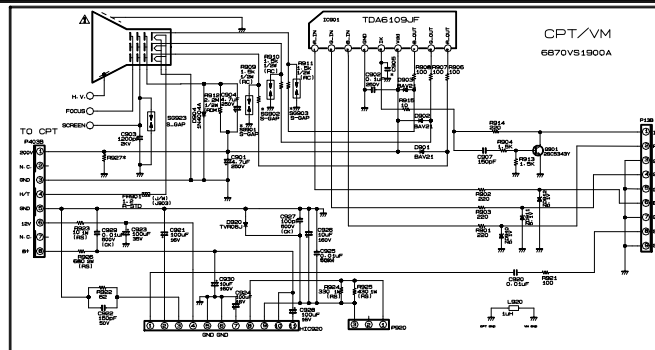
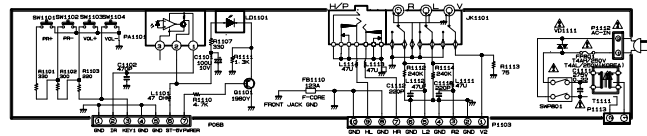


Est reo AV





<Q20 CONTROL PWB ASSY>



NOTICE

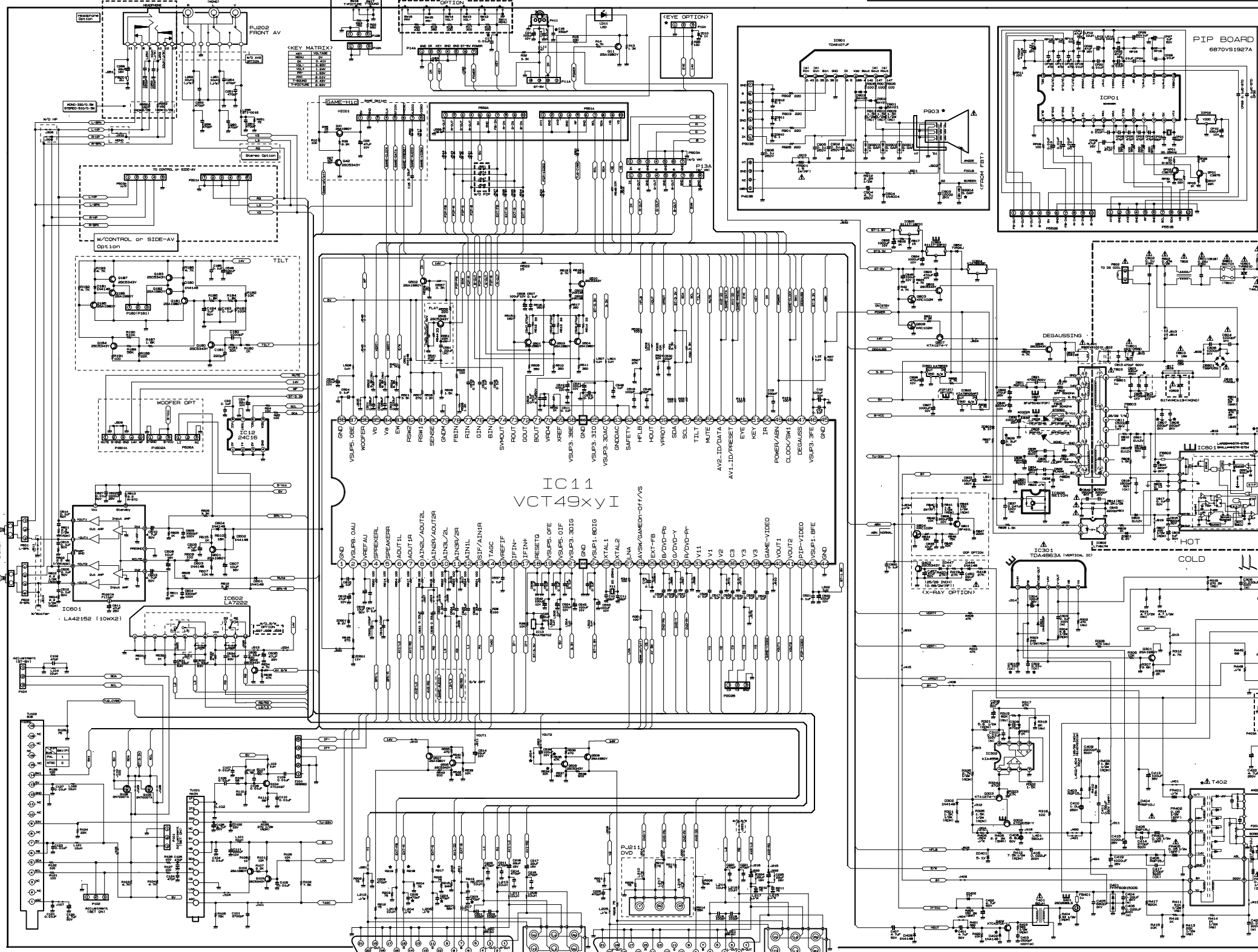
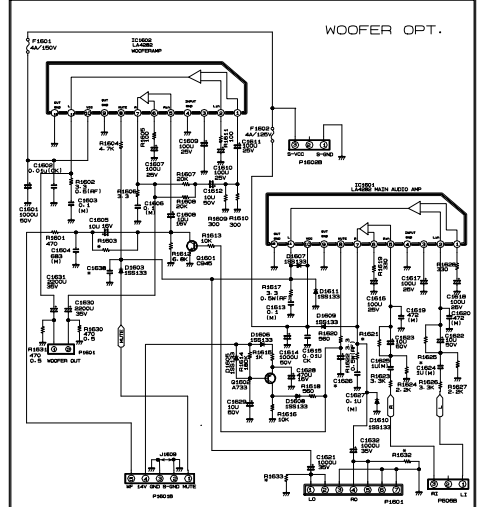
Some items in each circuit diagram are subject to change without notice.

The component values are subject to tolerance. All capacitor values less than 1 are in pF. All inductor values are in mH. All resistor values are in ohms unless otherwise specified.

Value of resistor, capacitor and inductor

Observation of voltages and waveforms

- Resistors are shown in ohms.
- Capacitors are shown in pF.
- Inductors are shown in mH.
- Capacitor values less than 1 are in pF.
- Inductor values less than 1 are in mH.
- Resistor values are in ohms unless otherwise specified.
- Capacitor values are in pF unless otherwise specified.
- Inductor values are in mH unless otherwise specified.
- Waveforms are shown using a standard color code.



<VCT1 VERSION>

VERSION	SPEC
VCT4973	PAL, RF-ST, W/TXT
VCT4973	PAL, AV-ST, W/TXT
VCT4964	PAL, AV-ST, W/O TXT
VCT4963	PAL, RF-ST, W/O TXT
VCT4821	NTSC, MONO
VCT4842	NTSC, RF-ST