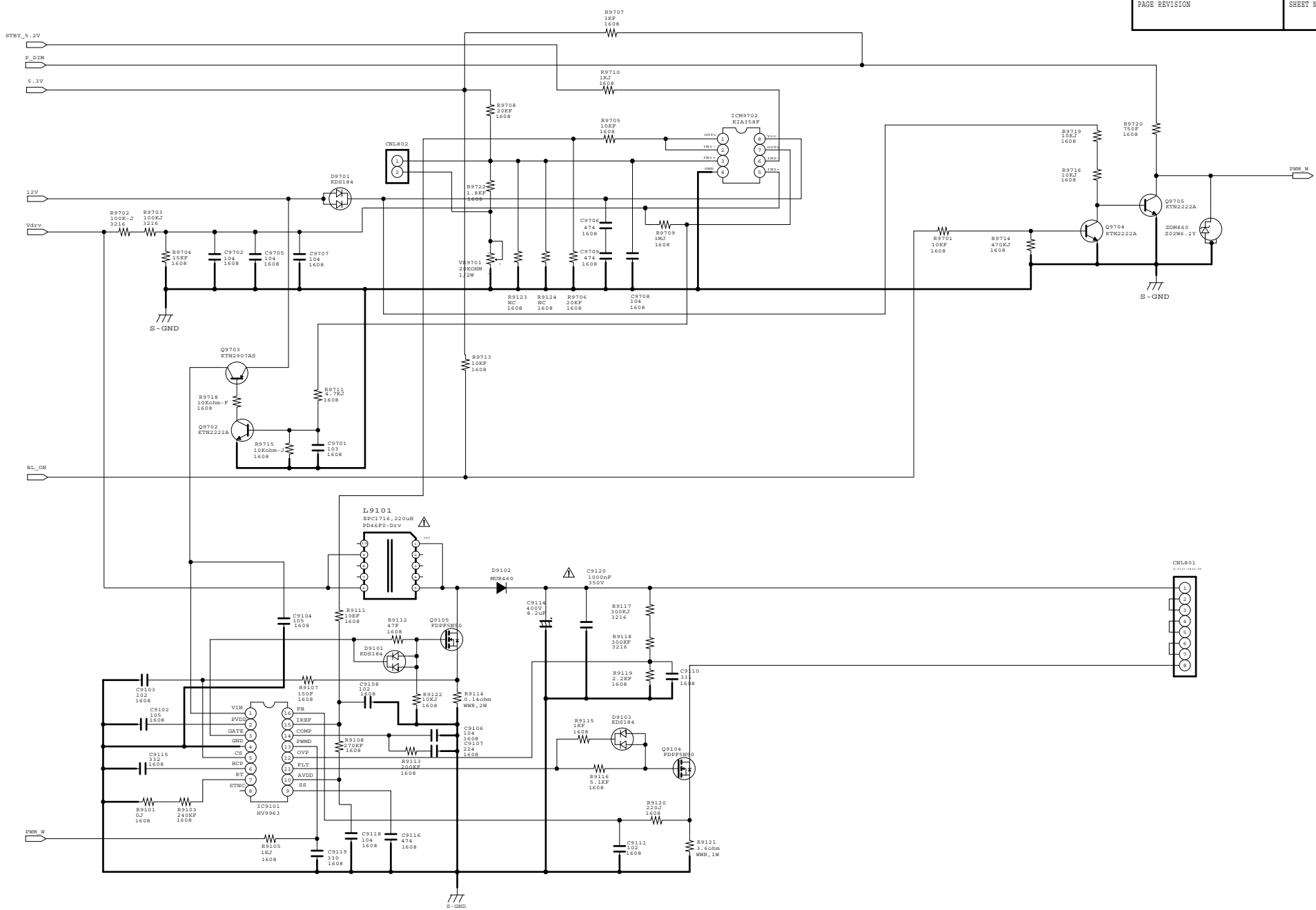


NOTE
NC : No Connection



USER SAMSUNG ELECTRONICS	DATE 2010.02.22
MODEL NAME PD46AF0U_ZSM/BN44-000352A PD46AF0B_ZSM/BN44-000353A	SCALE DRAWN Y. D. JUNG
PDM NUMBER PSLF121B01B PSLF121B01A	CHECKED J. W. CHO/S. H. KIM
	APPROVED H. G. CHOI

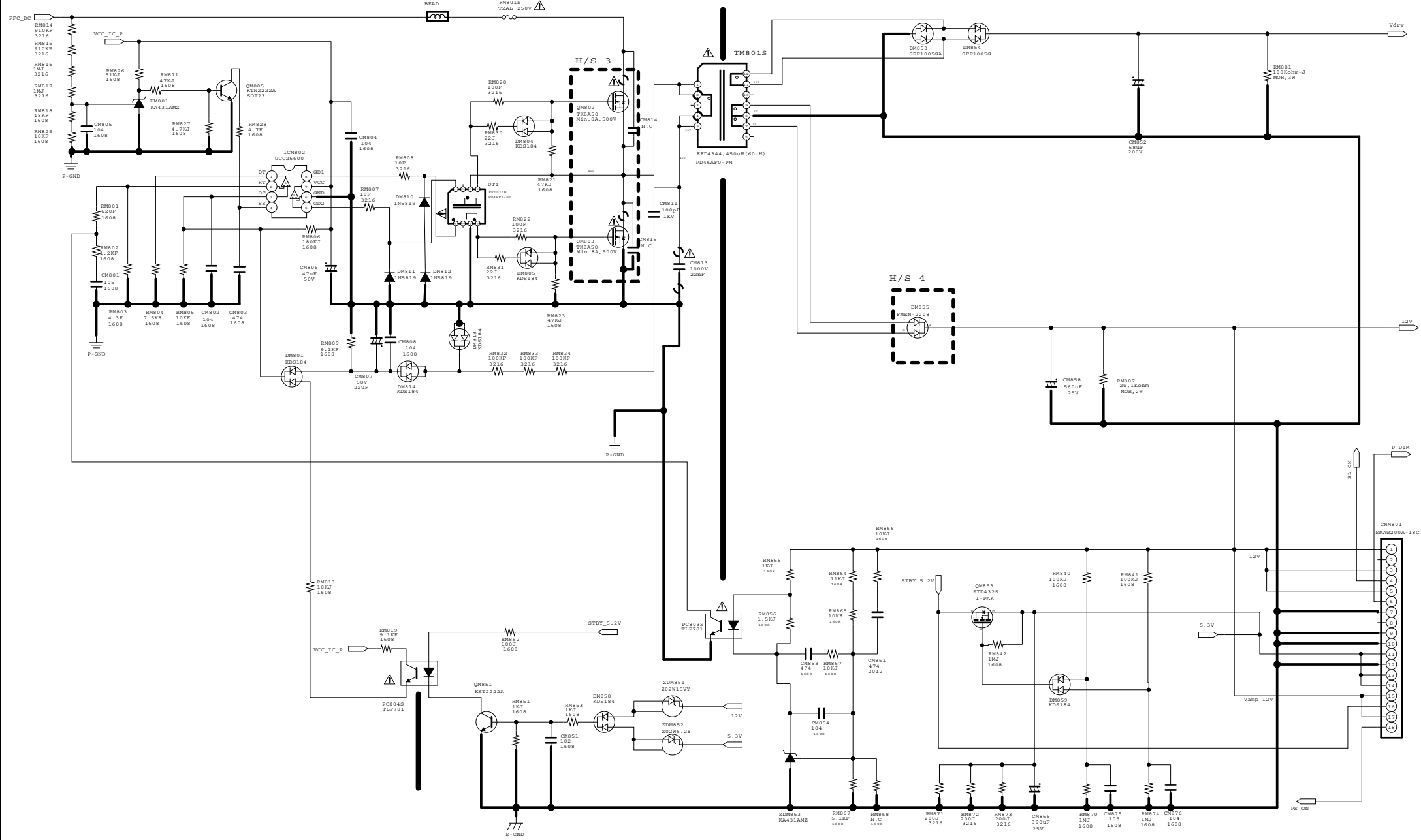


NOTE
NC : No Connection



USER SAMSUNG ELECTRONICS	DATE 2010.02.22
MODEL NAME PD46AF0U_ZSM/BN44-000352A	SCALE DRAWN Y. D. JUNG
PD46AF0E_ZSM/BN44-000353A	REVISION CHECKED
PDM NUMBER PSLF121B01B	REV R. C J. W. CHO/S. H. KIM
PSLF121B01A	APPROVED H. G. CHOI
	CommonScore

HOT COLD



NOTE
NC : No Connection



USER SAMSUNG ELECTRONICS		DATE 2010.02.22
MODEL NAME PD46AF0U_ZSM/BN44-000352A PD46AF0E_ZSM/BN44-000353A		SCALE DRAWN Y. D. JUNG
PDM NUMBER PSLF121B01B PSLF121B01A		CHECKED J. W. CHO/S. H. KIM
		APPROVED H. G. CHOI