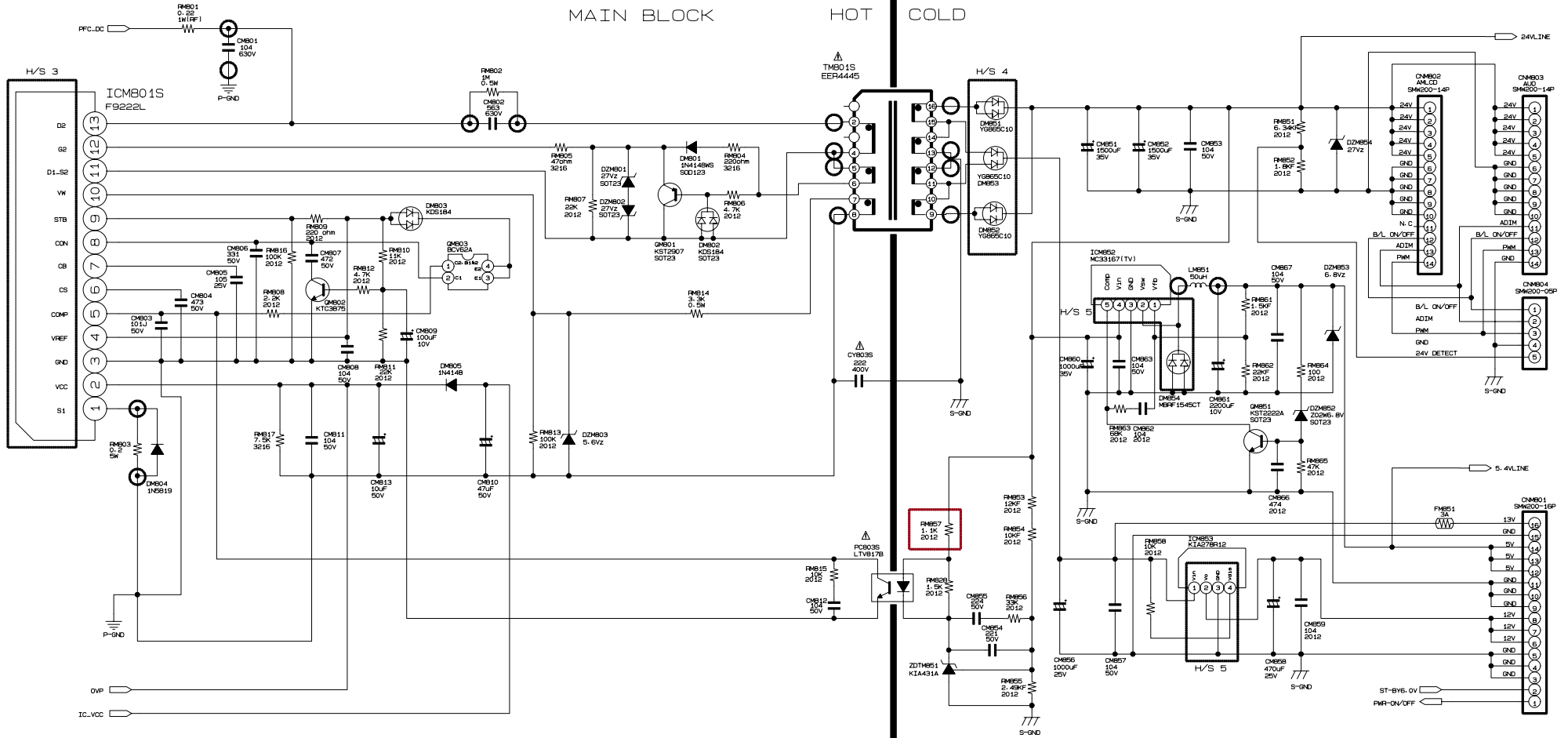


NOTE

		USER SAMSUNG ELECTRONICS	DATE
MODEL NAME BORDEAUX 32INCH		SCALE	DRAWN J. B. M
PDM NUMBER		REVISION	CHECKED K. D. J
		LEVEL	APPROVED K. S. H

MAIN BLOCK

HOT COLD



NOTE



USER SAMSUNG ELECTRONICS		DATE	
MODEL NAME BORDEAUX 32INCH	SCALE	DRAWN J. B. M	
FORM NUMBER	REVISION	CHECKED K. D. J	
	LEVEL	APPROVED K. S. H	