



SAMSUNG

COLOR TELEVISION RECEIVER

Chassis : K15B
Model: CN331EBZX/DIS CN501EBZX/DIS
 CN331EBZX/XAP CN501EBZX/XAP
 CN3339BZX/XAP CN5039BZX/XAP
 CN5085BZX/DRI

SERVICE *Manual*

COLOR TELEVISION RECEIVER



CONTENTS

1. Precautions
2. Specifications and IC Data
3. Disassembly and Reassembly
4. Alignment and Adjustment
5. Troubleshooting
6. Exploded View and Parts List
7. Electric Parts List
8. Block Diagram
9. PCB Layout Diagram
10. Wiring Diagram
11. Schematic Diagrams



1. Precautions

Follow these safety, servicing and ESD precautions to prevent damage and protect against potential hazards such as electrical shock and X-rays.

1-1 Safety Precautions

1. Be sure that all of the built-in protective devices are replaced. Restore any missing protective shields.
2. When reinstalling the chassis and its assemblies, be sure to restore all protective devices, including: nonmetallic control knobs and compartment covers.
3. Make sure that there are no cabinet openings through which people—particularly children—might insert fingers and contact dangerous voltages. Such openings include the spacing between the picture tube and the cabinet mask, excessively wide cabinet ventilation slots, and improperly fitted back covers.

If the measured resistance is less than 1.0 megohm or greater than 5.2 megohms, an abnormality exists that must be corrected before the unit is returned to the customer.

4. Leakage Current Hot Check (Figure 1-1):
Warning: Do not use an isolation transformer during this test. Use a leakage-current tester or a metering system that complies with American National Standards Institute (ANIS C101.1, Leakage Current for Appliances), and Underwriters Laboratories (UL Publication UL1410, 59.7).
5. With the unit completely reassembled, plug the AC line cord directly into the power outlet. With the unit's AC switch first in the ON position and then OFF, measure the current between a known earth ground (metal water pipe, conduit, etc.) and all exposed metal parts, including: antennas, handle brackets, metal cabinets, screwheads and control shafts. The current measured should not exceed 0.5 milliamp. Reverse the power-plug prongs in the AC outlet and repeat the test.

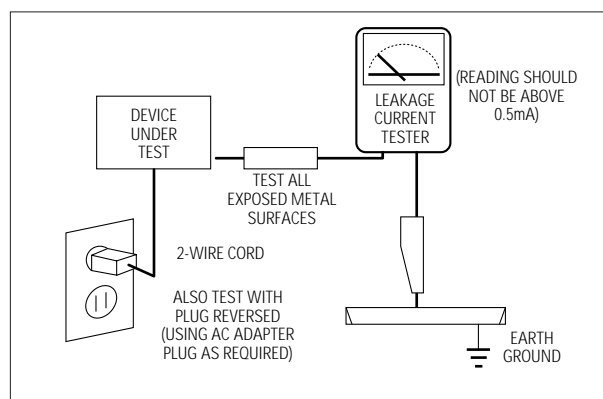


Fig. 1-1 AC Leakage Test

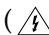

6. Antenna Cold Check:
With the unit's AC plug disconnected from the AC source, connect an electrical jumper across the two AC prongs. Connect one lead of the ohmmeter to an AC prong. Connect the other lead to the coaxial connector.
7. X-ray Limits:
The picture tube is especially designed to prohibit X-ray emissions. To ensure continued X-ray protection, replace the picture tube only with one that is the same type as the original. Carefully reinstall the picture tube shields and mounting hardware; these also provide X-ray protection.
8. High Voltage Limits:
High voltage must be measured each time servicing is done on the B+, horizontal deflection or high voltage circuits. Correct operation of the X-ray protection circuits must be reconfirmed whenever they are serviced.
(X-ray protection circuits also may be called "horizontal disable" or "hold-down".)

Heed the high voltage limits. These include the X-ray Protection Specifications Label, and the Product Safety and X-ray Warning Note on the service data schematic.

1-1 Safety Precautions (Continued)

9. High voltage is maintained within specified limits by close-tolerance, safety-related components and adjustments. If the high voltage exceeds the specified limits, check each of the special components.
10. Design Alteration Warning:
Never alter or add to the mechanical or electrical design of this unit. Example: Do not add auxiliary audio or video connectors. Such alterations might create a safety hazard. Also, any design changes or additions will void the manufacturer's warranty.
11. Hot Chassis Warning:
Some TV receiver chassis are electrically connected directly to one conductor of the AC power cord. If an isolation transformer is not used, these units may be safely serviced only if the AC power plug is inserted so that the chassis is connected to the ground side of the AC source.

To confirm that the AC power plug is inserted correctly, do the following: Using an AC voltmeter, measure the voltage between the chassis and a known earth ground. If the reading is greater than 1.0V, remove the AC power plug, reverse its polarity and reinsert. Re-measure the voltage between the chassis and ground.
12. Some TV chassis are designed to operate with 85 volts AC between chassis and ground, regardless of the AC plug polarity. These units can be safely serviced only if an isolation transformer inserted between the receiver and the power source.
13. Some TV chassis have a secondary ground system in addition to the main chassis ground. This secondary ground system is not isolated from the AC power line. The two ground systems are electrically separated by insulating material that must not be defeated or altered.
14. Components, parts and wiring that appear to have overheated or that are otherwise damaged should be replaced with parts that meet the original specifications. Always determine the cause of damage or overheating, and correct any potential hazards.
15. Observe the original lead dress, especially near the following areas: Antenna wiring, sharp edges, and especially the AC and high voltage power supplies. Always inspect for pinched, out-of-place, or frayed wiring. Do not change the spacing between components and the printed circuit board. Check the AC power cord for damage. Make sure that leads and components do not touch thermally hot parts.
16. Picture Tube Implosion Warning:
The picture tube in this receiver employs "integral implosion" protection. To ensure continued implosion protection, make sure that the replacement picture tube is the same as the original.
17. Do not remove, install or handle the picture tube without first putting on shatterproof goggles equipped with side shields. Never handle the picture tube by its neck. Some "in-line" picture tubes are equipped with a permanently attached deflection yoke; do not try to remove such "permanently attached" yokes from the picture tube.
18. Product Safety Notice:
Some electrical and mechanical parts have special safety-related characteristics which might not be obvious from visual inspection. These safety features and the protection they give might be lost if the replacement component differs from the original—even if the replacement is rated for higher voltage, wattage, etc.

Components that are critical for safety are indicated in the circuit diagram by shading, () or ().
Use replacement components that have the same ratings, especially for flame resistance and dielectric strength specifications. A replacement part that does not have the same safety characteristics as the original might create shock, fire or other hazards.

1-2 Servicing Precautions

Warning1: First read the "Safety Precautions" section of this manual. If some unforeseen circumstance creates a conflict between the servicing and safety precautions, always follow the safety precautions.

Warning2: An electrolytic capacitor installed with the wrong polarity might explode.

1. Servicing precautions are printed on the cabinet. Follow them.
2. Always unplug the unit's AC power cord from the AC power source before attempting to: (a) Remove or reinstall any component or assembly, (b) Disconnect an electrical plug or connector, (c) Connect a test component in parallel with an electrolytic capacitor.
3. Some components are raised above the printed circuit board for safety. An insulation tube or tape is sometimes used. The internal wiring is sometimes clamped to prevent contact with thermally hot components. Reinstall all such elements to their original position.
4. After servicing, always check that the screws, components and wiring have been correctly reinstalled. Make sure that the portion around the serviced part has not been damaged.
5. Check the insulation between the blades of the AC plug and accessible conductive parts (examples: metal panels, input terminals and earphone jacks).
6. Insulation Checking Procedure: Disconnect the power cord from the AC source and turn the power switch ON. Connect an insulation resistance meter (500V) to the blades of the AC plug.

The insulation resistance between each blade of the AC plug and accessible conductive parts (see above) should be greater than 1 megohm.
7. Never defeat any of the B+ voltage interlocks. Do not apply AC power to the unit (or any of its assemblies) unless all solid-state heat sinks are correctly installed.
8. Always connect a test instrument's ground lead to the instrument chassis ground before connecting the positive lead; always remove the instrument's ground lead last.

1-3 Precautions for Electrostatically Sensitive Devices (ESDs)

1. Some semiconductor (“solid state”) devices are easily damaged by static electricity. Such components are called Electrostatically Sensitive Devices (ESDs); examples include integrated circuits and some field-effect transistors. The following techniques will reduce the occurrence of component damage caused by static electricity.
2. Immediately before handling any semiconductor components or assemblies, drain the electrostatic charge from your body by touching a known earth ground. Alternatively, wear a discharging wrist-strap device. (Be sure to remove it prior to applying power—this is an electric shock precaution.)
3. After removing an ESD-equipped assembly, place it on a conductive surface such as aluminum foil to prevent accumulation of electrostatic charge.
4. Do not use freon-propelled chemicals. These can generate electrical charges that damage ESDs.
5. Use only a grounded-tip soldering iron when soldering or unsoldering ESDs.
6. Use only an anti-static solder removal device. Many solder removal devices are not rated as “anti-static”; these can accumulate sufficient electrical charge to damage ESDs.
7. Do not remove a replacement ESD from its protective package until you are ready to install it. Most replacement ESDs are packaged with leads that are electrically shorted together by conductive foam, aluminum foil or other conductive materials.
8. Immediately before removing the protective material from the leads of a replacement ESD, touch the protective material to the chassis or circuit assembly into which the device will be installed.
9. Minimize body motions when handling unpackaged replacement ESDs. Motions such as brushing clothes together, or lifting a foot from a carpeted floor can generate enough static electricity to damage an ESD.

2. Specifications and IC Data

2-1 Specifications

Television System	14"/20" NTSC Color TV Signal
Power Consumption	14" : 57 Watts Nominal, 20" : 70 Watts Nominal
Picture Tube	14" : A34KQV42X 20" : A48KRD82X (H)
Power Requirements	AC 100 ~ 240V, 50/60Hz
Operating System	Remocon System (SSM - 174PT)
Tuning Ranges	VHF CH : 2 ~ 13 UHF CH : 14 ~ 69 CABLE CH : 1, 14-125
Antenna Input Impedance	75 ohm Unbalanced for VHF/UHF
Intermediate Frequency	Picture 45.75 MHz, Sound 41.25 MHz Color Sub Carrier 42.17 MHz
Speaker Impedance	Single : 8 ohm 2.5W Dual : 8 ohm 2.5W x 2.5W

2-2 IC Line Up

Table 2-1 IC Line-Up			
Loc. No	Specification	Description	Remark
IC201	TDA8841 SI	NTSC, PAL M/N	Philips
IC301	TDA8356	VERTICAL OUTPUT	
IC501	TDA6107Q	RGB DRIVE AMP	
IC601	LA4425	SOUND-AMP (2.5W x 1CH)	
IC602	LA4425	SOUND-AMP (2.5W x 1CH)	
IC801	KA3S0680RF	POWER IC (STR)	
IC802	KA7630	CUSTOM REGULATOR (5V, 8V)	
IC901	SSM-174PT	μ-com (OSD Language : English, Spanish, Portuguese)	
IC902	24C02/KS24C040	EEPROM	
PC802	TCET1108 / LTV817B	PHOTO COUPLER	

2-3 Semiconductor Base Diagrams

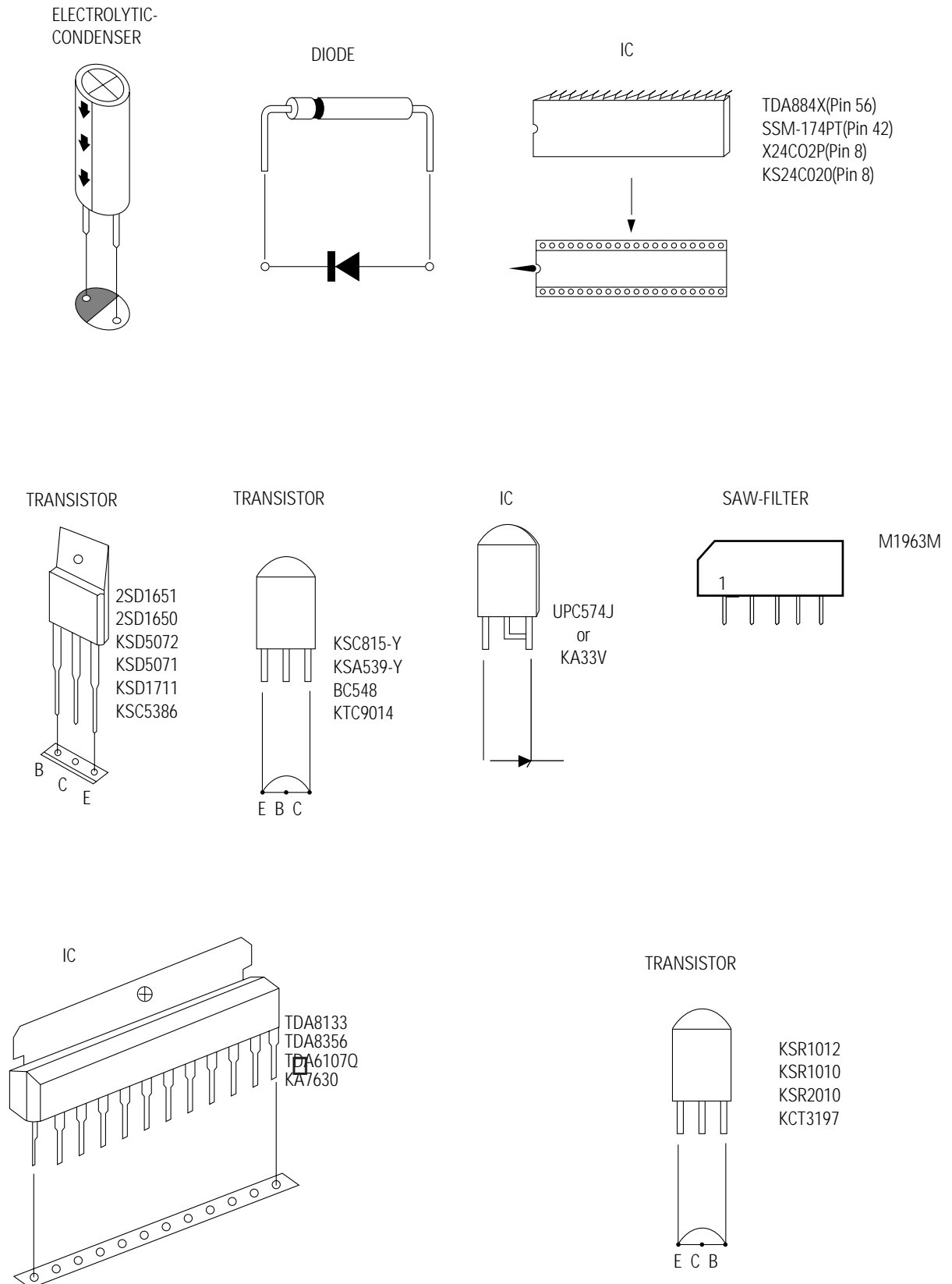
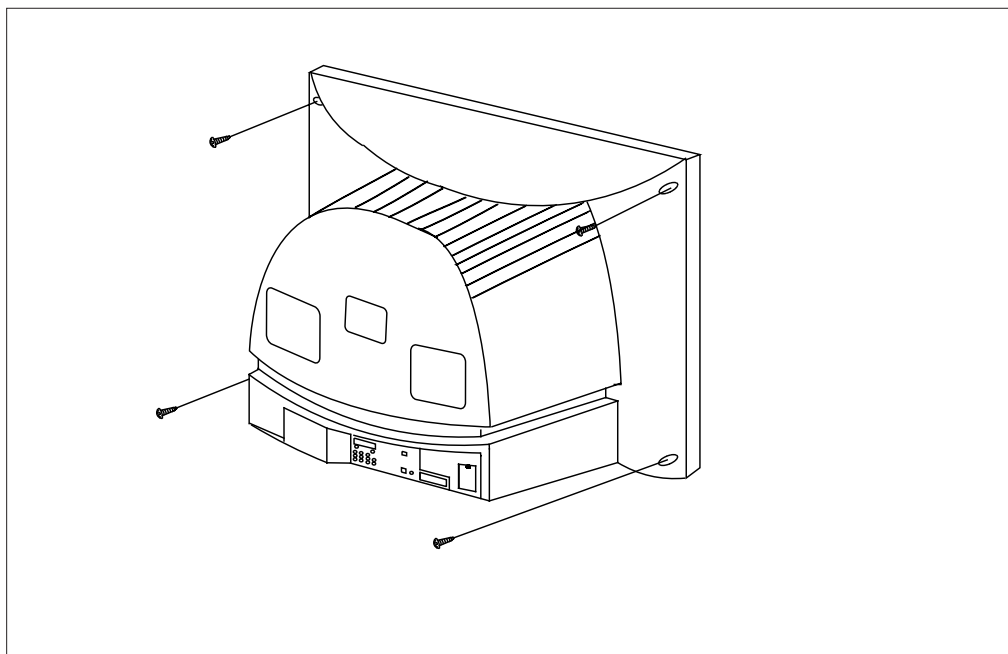


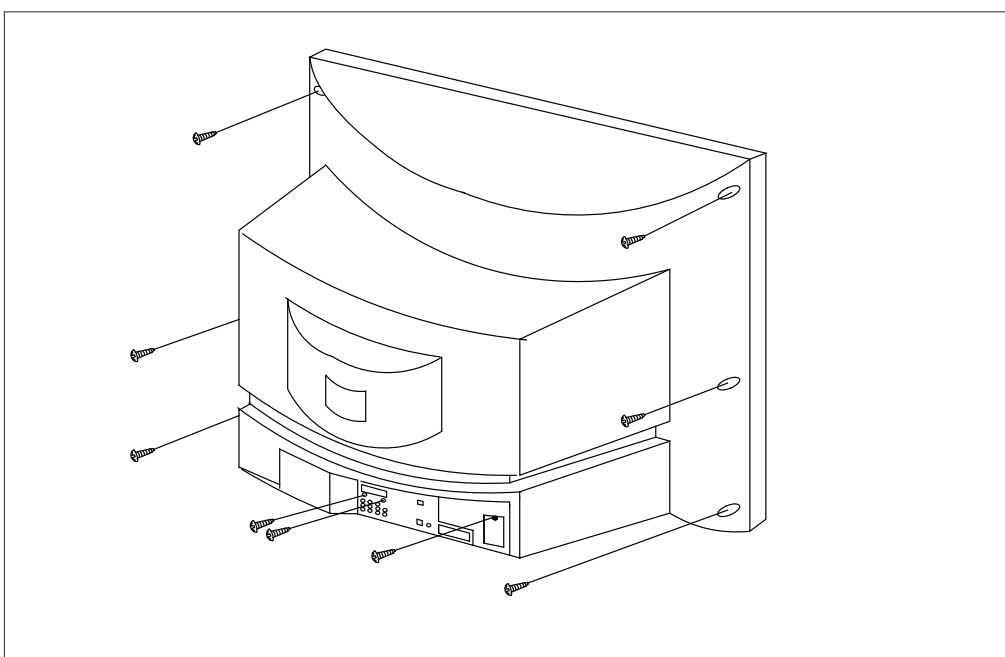
Fig. 2-1 Semiconductor Base Diagrams

3. Disassembly and Reassembly

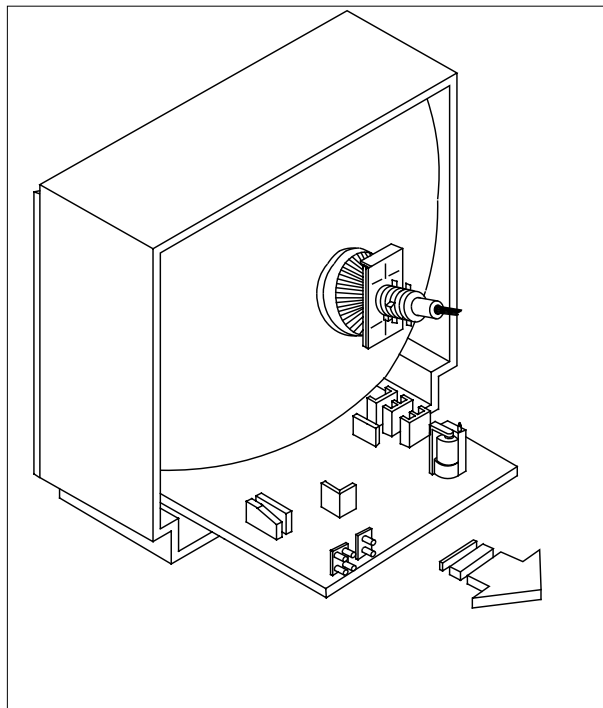
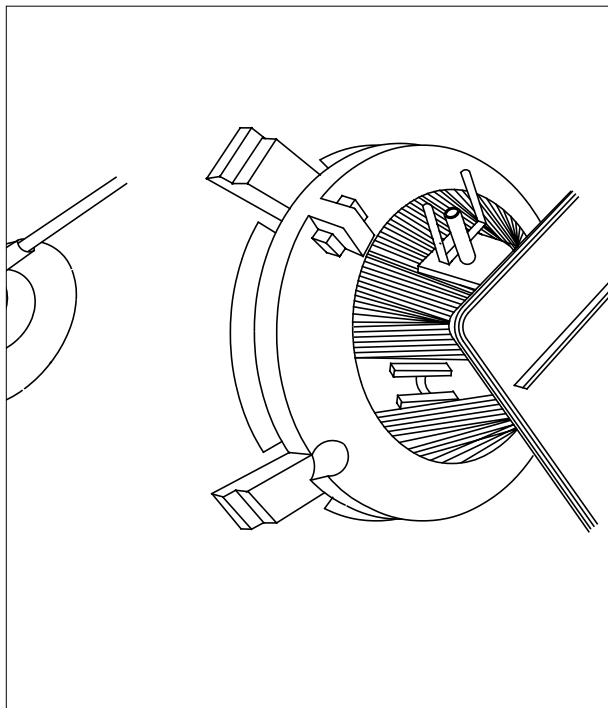
3-1 Back Cover Removal



1. After removing the screws, press the tension rib and pull the cabinet backwards.
2. To reassemble, press the tension rib (see diagram).



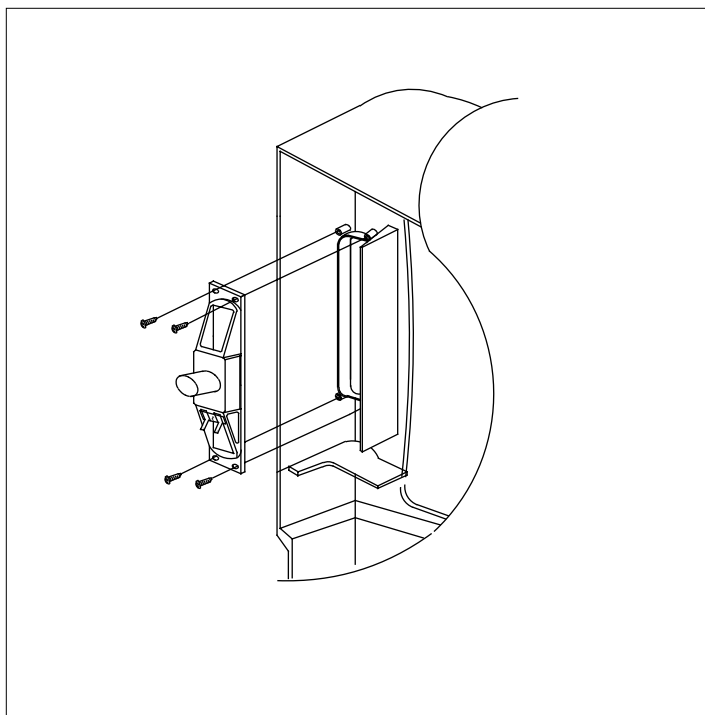
3-2 Main Board Removal



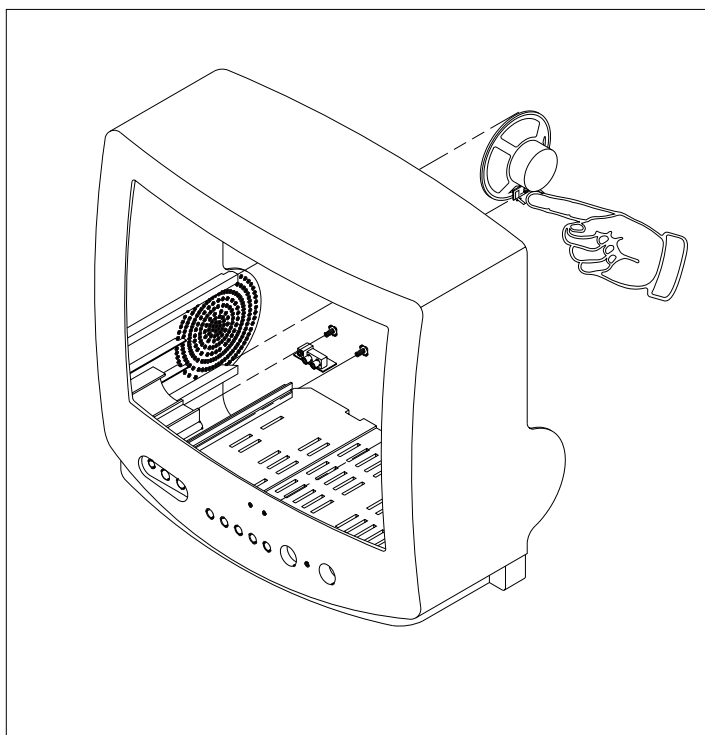
1. Separate the socket board from the CRT neck.
2. Remove the Anode Cap from the CRT.
3. Remove the main board by pulling it with both hands.

Warning: The FBT is charged with high voltage. Before removing the Anode Cap, discharge the voltage through one of the heat sinks on the main board.

3-3 Speaker Removal

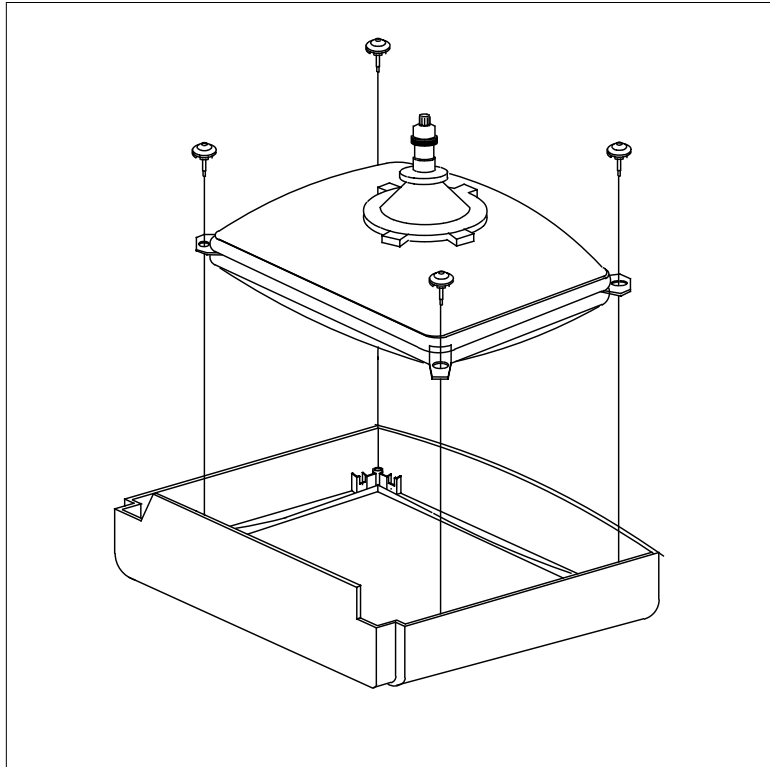


1. Remove the speaker by pressing the tension rib.



1. Remove the screws.
2. Remove the speaker by pressing the tension rib.

3-4 CRT Removal



1. Spread a soft mat on the floor. Place the TV set face down.
2. Remove the 4 nuts mounting the CRT to the front cabinet. Lift the CRT.
3. Caution: Because of the high vacuum and large surface area of the picture tube, be careful while handling it: (1) Always lift the picture tube by grasping it firmly around the faceplate, (2) Never lift the tube by its neck. (3) Do not scratch the picture tube or apply excessive pressure. Fractures of the glass may cause an implosion.

4. Alignment and Adjustments

4-1 Preadjustment

4-1-1 Factory Mode

1. Do not attempt these adjustments in the Video Mode.
2. The Factory Mode adjustments are necessary when either the EEPROM (IC902) or the CRT is replaced.
3. Do not tamper with the "Adjustment" screen of the Factory Mode menu. This screen is intended only for factory use.

4-1-2 When EEPROM (IC902) Is Replaced

1. When IC902 is replaced all adjustment data revert to initial values. It is necessary to re-program this data.
2. After IC902 is replaced, warm up the TV for 10 seconds.

4-1-3 When CRT Is Replaced

1. Make the following adjustments AFTER setting up after setting up purity and convergence :

White Balance
Sub-Brightness
Vertical Center
Vertical Size
Horizontal Center

4-2 Factory/Service Mode

4-2-1 Procedure for the "Adjustment" Mode

1. This mode uses the standard remote control. The Service Mode is activated by entering the following remote-control sequence :

(1) DISPLAY→FACTORY.

(2) STAND-BY→MUTE→1→8→2
→POWER ON.

2. The "SERVICE (FACTORY)" message will be displayed. The Service Mode has four components: Adjustment, Option Bytes and Reset.
3. Access the Adjustment Mode by pressing the "VOLUME" keys (Up or Down). The adjustment parameters are listed in the accompanying table, and selected by pressing the CHANNEL keys (▲, ▼).

4. Selection sequences for the PAL N system:

DOWN or UP key:

AGC>VCO>SBT>SCT>RG>GG>BG>SC>
PCR>PSL>PVS>PVA>PHS>▲HS>CDL

Selection sequences for the NTSC, PAL M system:

DOWN or UP key:

AGC>VCO>SBT>SCT>RG>GG>BG>SC>STT>
NCR>NSL>NVS>NVA>NHS>CDL

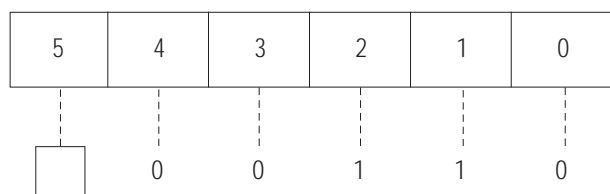
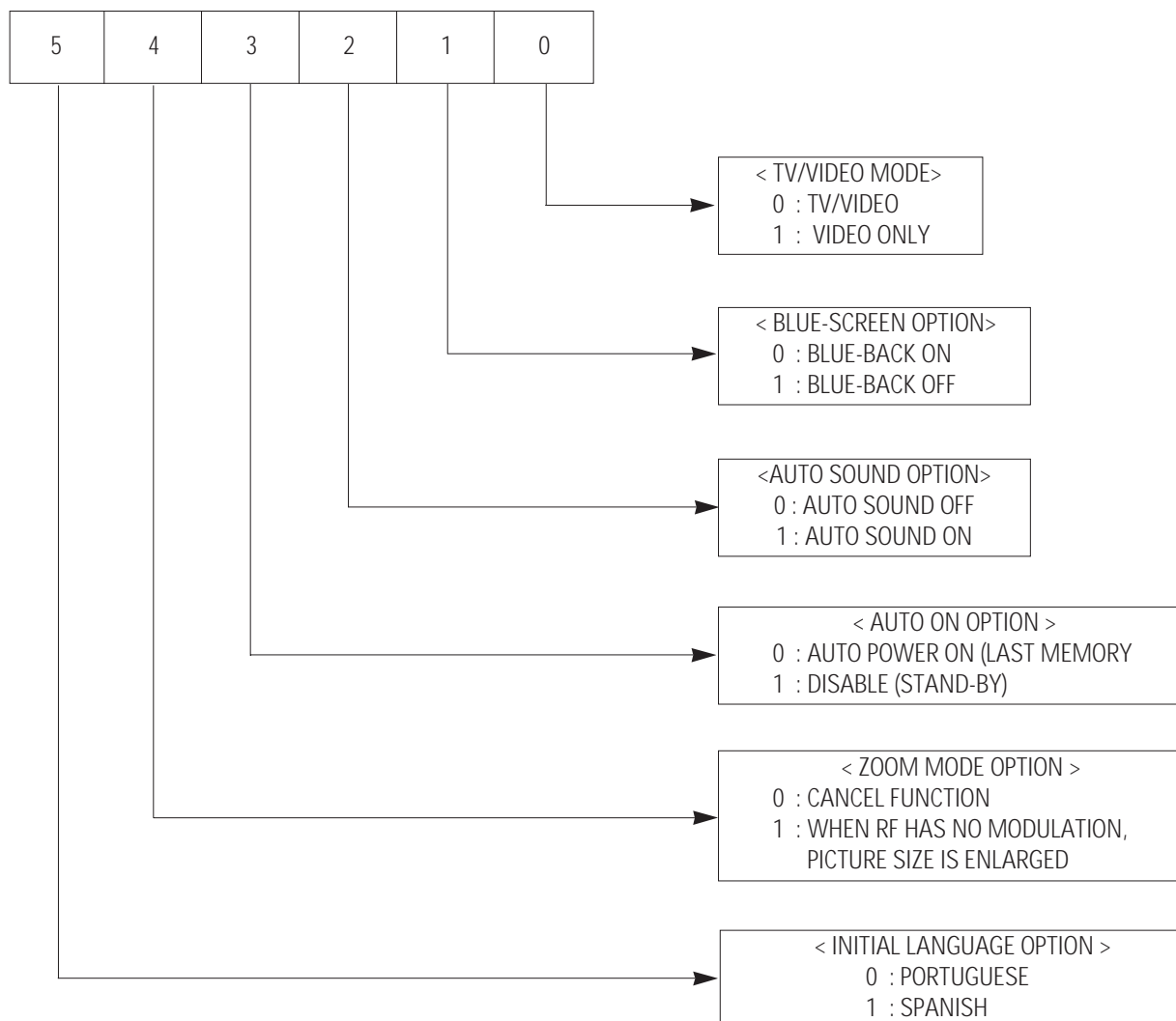
5. The VOLUME keys increase or decrease the adjustment values (stored in the non-volatile memory) when Adjustment Mode is cancelled.
6. Cancel the Adjustment Mode by re-pressing the "FACTORY" or "Power OFF" keys.

4-2-2 Main Adjustment Parameter

FUNCTION	OSD ABBREVIATION	RANGE	INITIAL DATA	REMARK
AUTO GAIN CONTROL	AGC	0 ~ 63 STEP	05	FIX
VOLTAGE CONTROL OSCILLATOR	VCO	0 ~ 128 STEP	48	FIX
SUB BRIGHT	SBT	0 ~ 23 STEP	9	
SUB CONTRAST	SCT	0 ~ 23 STEP	8	
RED DRIVE GAIN	RG	0 ~ 63 STEP	25	
GREEN DRIVE GAIN	GG	0 ~ 63 STEP	25	
BLUE DRIVE GAIN	BG	0 ~ 63 STEP	25	
PAL SUB COLOR	PCR	0 ~ 23 STEP	10	
S-CORRECTION	SC	0 ~ 63 STEP	10	
PAL VERTICAL SLOPE	PSL	0 ~ 63 STEP	34	
PAL VERTICAL SHIFT	PVS	0 ~ 63 STEP	32	
PAL VERTICAL AMPLITUDE	PVA	0 ~ 63 STEP	28	
PAL HORIZONTAL SHIFT	PHS	0 ~ 63 STEP	42	
△HORIZONTAL SHIFT	△HS	0 ~ 7 STEP	5	
SUB TINT	STT	1 ~ 23 STEP	10	
NTSC SUB COLOR	NCR	0 ~ 23 STEP	14	
NTSC VERTICAL SLOPE	NSL	0 ~ 63 STEP	34	
NTSC VERTICAL SHIFT	NVS	0 ~ 63 STEP	32	
NTSC VERTICAL AMPLITUDE	NVA	0 ~ 63 STEP	28	
NTSC HORIZONTAL SHIFT	NHS	0 ~ 63 STEP	47	

NOTE : Once a system (of PAL N/NTSCM, PALM System) is adjusted, another system is automatically adjusted. (NHS=PHS + △HS)

4-2-3 Option Table



:Basic Option Byte
(Note : No. 5 is a Local Option)

4-3 Other Adjustments

4-3-1 General

1. Usually, a color TV needs only slight touch-up adjustment upon installation. Check the basic characteristics such as height, horizontal and vertical sync and focus.
2. The picture should have good black and white details. There should be no objectionable color shading; if color shading is present, perform the purity and convergence adjustments described below.
3. Use the specified test equipment or its equivalent.
4. Correct impedance matching is essential.
5. Avoid overload. Excessive signal from a sweep generator might overload the front-end of the TV. When inserting signal markers, do not allow the marker generator to distort test results.
6. Connect the TV only to an AC power source with voltage and frequency as specified on the backcover nameplate.
7. Do not attempt to connect or disconnect any wires while the TV is turned on. Make sure that the power cord is disconnected before replacing any parts.
8. To protect against shock hazard, use an isolation transformer.

4-3-2 Automatic Degaussing

A degaussing coil is mounted around the picture tube, so that external degaussing after moving the TV should be unnecessary. But the receiver must be properly degaussed upon installation.

The degaussing coil operates for about 1 second after the power is switched ON. If the set has been moved or turned in a different direction, disconnect its AC power for at least 30 minutes.

If the chassis or parts of the cabinet become magnetized, poor color purity will result. If this happens, use an external degaussing coil. Slowly move the degaussing coil around the faceplate of the picture tube and the sides and front of the receiver. Slowly withdraw the coil to a distance of about 6 feet before removing power.

4-3-3 High Voltage Check

CAUTION: There is no high voltage adjustment on this chassis. The B+ power supply must be set to +125 volts (Full color bar input and normal picture level).

1. Connect a digital voltmeter to the second anode of the picture tube.
2. Turn on the TV. Set the Brightness and Contrast controls to minimum (zero beam current).
3. The high voltage should not exceed 27.5KV.
4. Adjust the Brightness and contrast controls to both extremes. Ensure that the high voltage does not exceed 27.5KV under any conditions.

4-3-4 FOCUS Adjustment

1. Input a black and white signal.
2. Adjust the tuning control for the clearest picture.
3. Adjust the FOCUS control for well defined scanning lines in the center area of the screen.

4-3-5 Cathode Voltage Adjustment (Screen Adjustment)

1. Connect CRT socket pin GK to an oscilloscope probe.
2. Input a gray scale pattern. (Use a pattern generator, PM5518)
3. Use the P mode key (on the remote control) for the STANDARD picture.
4. Adjust the Screen VR (on the FBT) so that the voltage on the oscilloscope becomes $130 \pm 2.5V$ (See Fig. 4-1).

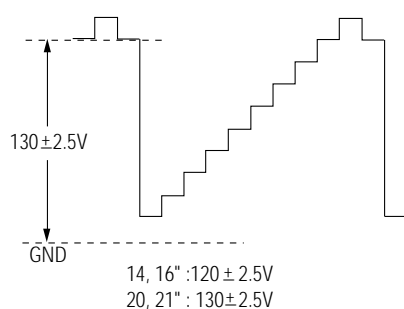


Fig. 4-1

4-3-6 Purity Adjustment

1. Warm up the receiver for at least 20 minutes.
2. Plug in the CRT deflection yoke and tighten the clamp screw.
3. Plug the convergence yoke into the CRT and set in as shown in Fig. 4-2.
4. Input a black and white signal.
5. Fully demagnetize the receiver by applying an external degaussing coil.
6. Turn the CONTRAST and BRIGHTNESS controls to maximum.
7. Loosen the clamp screw holding the yoke. Slide the yoke backward or forward to provide vertical green belt. (Fig. 4-3).
8. Tighten the convergence yoke.
9. Slowly move the deflection yoke forward, and adjust for the best overall green screen.
10. Temporarily tighten the deflection yoke.
11. Produce blue and red rasters by adjusting the low-light controls. Check for good purity in each field.
12. Tighten the deflection yoke.

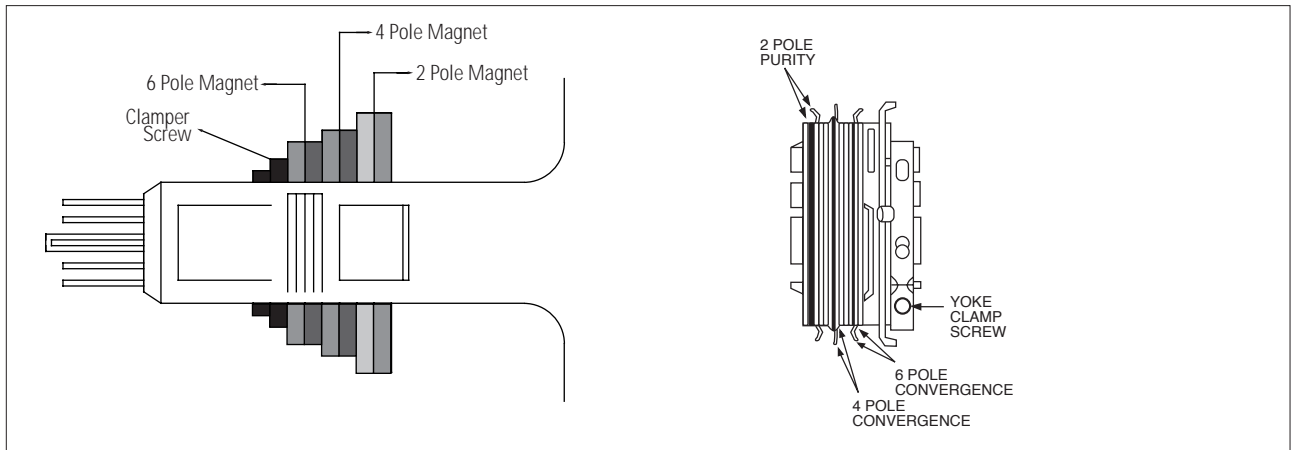


Fig. 4-2 Convergence Magnet Assembly

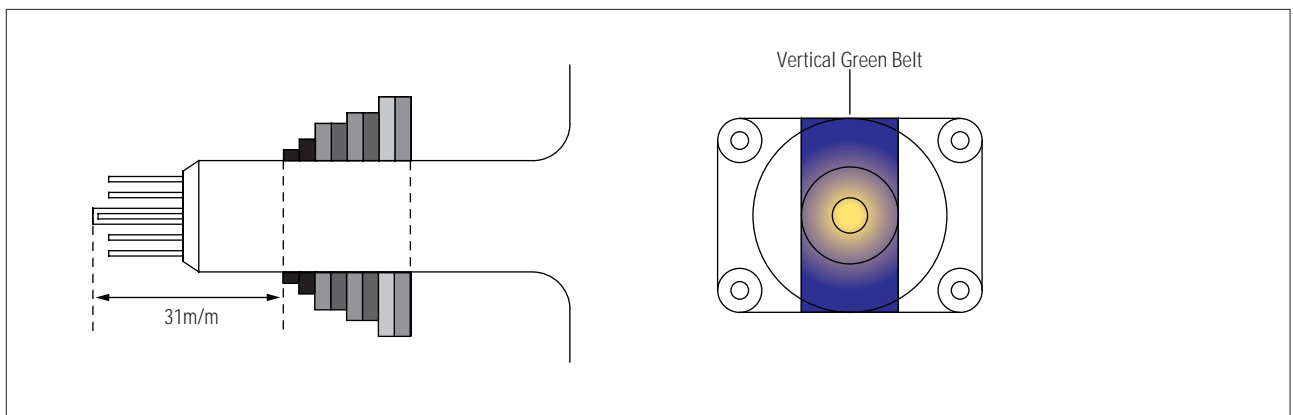


Fig. 4-3 Center Convergence Adjustment

4-3-7 White Balance Adjustment

(a) Set up

1. Warm up the TV for at least 30 minutes in the Aging Mode (OSD White). This mode is displayed by entering the following sequence:

DISPLAY → FACTORY → FACTORY

2. Input a Toshiba pattern.

(b) Low-Light Adjustment

1. Set SBT to 1.3 ± 0.2 fL in the Factory Service Mode with using CA100. See Fig. 4-4 ②.
2. Adjust RG,BG so that the levels are suitable to each local area.

(c) High-Light Adjustment

1. Set SCT to 55 FL (20"), 65 FL(14") in the Factory Service Mode with using CA100. See Fig. 4-4 ①.

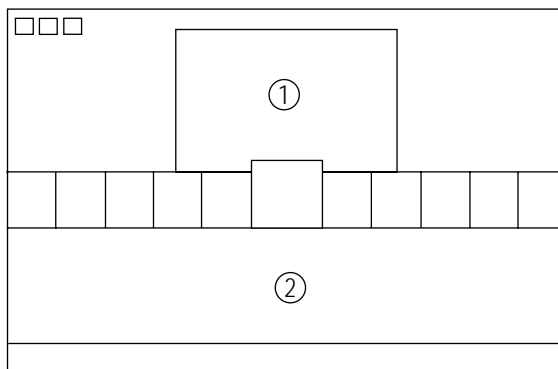


Fig. 4-4

4-3-8 Center Convergence Adjustment

1. Warm up the receiver for at least 20 minutes.
2. Adjust the two tabs of the 4 pole magnets to change the angle between them. Superimpose the red and blue vertical lines in the center area of the screen.
3. Adjust the Brightness and Contrast controls for a well defined picture.
4. Adjust the two-tab pairs of the 4 pole magnets, and change the angle between them. Superimpose the red and the blue vertical lines in the center area of the screen.
5. Turn the both tabs at the same time, keeping the angle constant, and superimpose the red and blue horizontal line in the center of the screen.
6. Adjust the two-tab pairs of the 6-pole magnets to superimpose the red and blue line onto the green. (Changing the angle affects the vertical lines, and rotating both magnets affects the horizontal lines.)
7. Repeat adjustments 2~6, if necessary.
8. Since the 4-pole magnets and 6-pole magnets interact, the dot movement is complex (Fig. 4-5).



Fig. 4-5 Center Convergence Adjustment

4-3-9 VCO Adjustment

Set the vco data to 48 (Factory Mode).

4-3-10 RF AGC Adjustment

Set the AGC data to 5.0 (Factory Mode).

4-3-11 Sub-Color Adjustment

Set SCR data to 10 (Factory Mode).

4-3-12 Geometry Adjustment

SC → PSL (NSL) → PVS (NVS) → PVA (NVA)
→ PHS (NHS)

1. Input a lion head pattern.
2. Adjust "PVA (NVA)", "PSL (VSL)" so that the top and bottom margins of the screen are 4.0. If the top and bottom values are different, adjust "PVA (NVA)", "PSL (NSL)", "PVS (NVS)" so that the sum of the two values is 8.0.

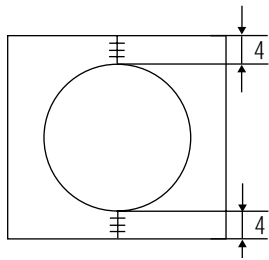


Fig. 4-7

3. Adjust with PHS/NHS (Horizontal Shift) so that the lion-head pattern and CRT centers are aligned.

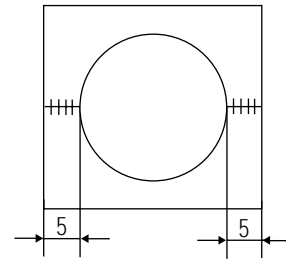


Fig. 4-9

4. Adjust PHS/NHS (using the width coil) so that the left and right margins of the picture are 5.

4-2-3 Test Pattern (Aging Mode)

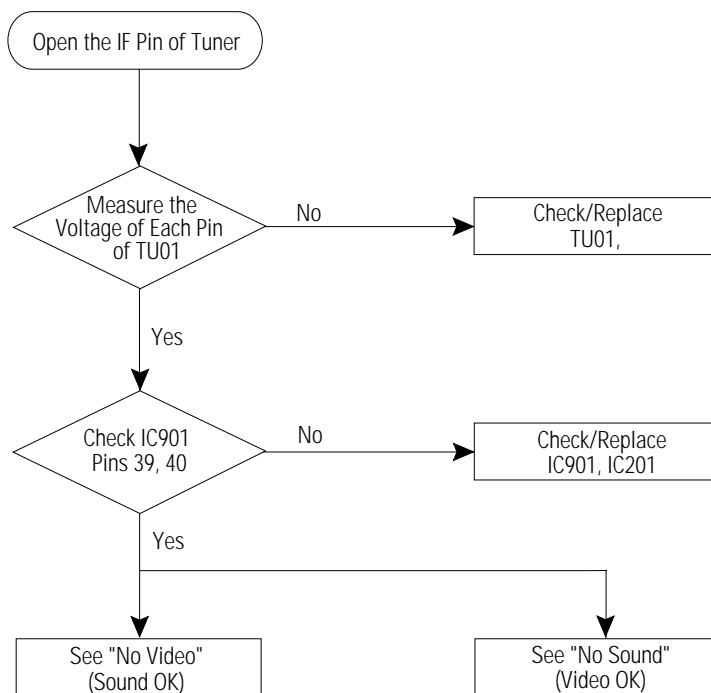
1. This mode can be used during servicing, or for confirming that the convergence and purity adjustments are correct.
2. Access the Test Pattern parameters by pressing a CHANNEL keys (▲, ▼) while the Service Mode is on. The cursor will move to the test pattern. Press the VOLUME keys. On-screen display:
 - WHITE
 - AGING
3. AGING Mode (Reference Only)

This pattern is used for pre-heating the CRT during manufacturing —it is accessed in the factory by twice pressing the “SLEEP → FACTORY→FACTORY “ key, then white pattern will be displayed.

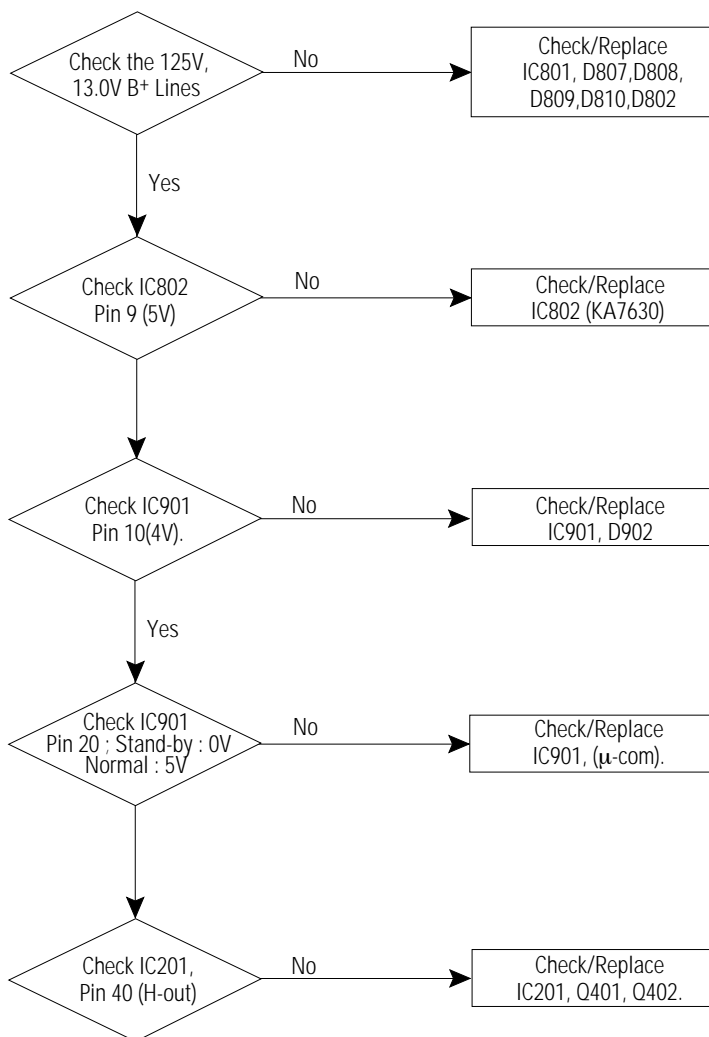
Even if the TV power is cut off, the Aging Mode is not cancelled, The aging mode is cancelled by repressing the “FACTORY” key or pressing the local “CH UP/DOWN” keys.

5. Troubleshooting

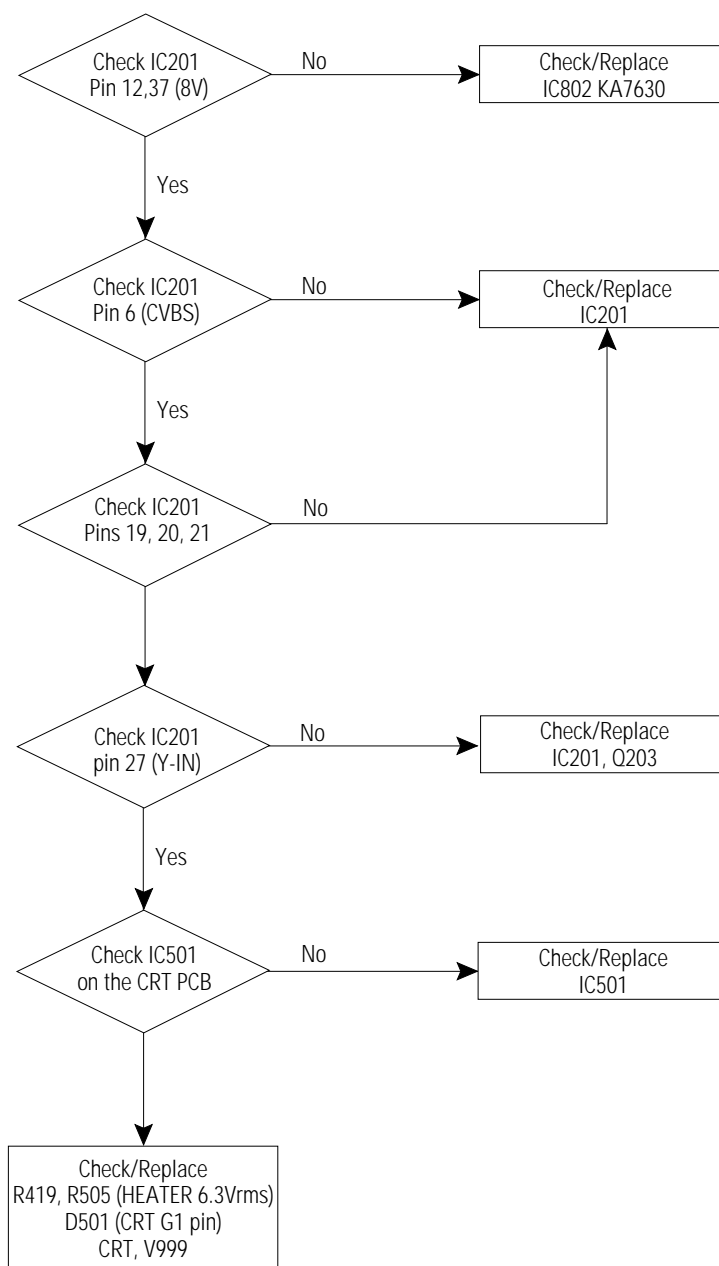
5-1 No Video (Raster On, No Sound)



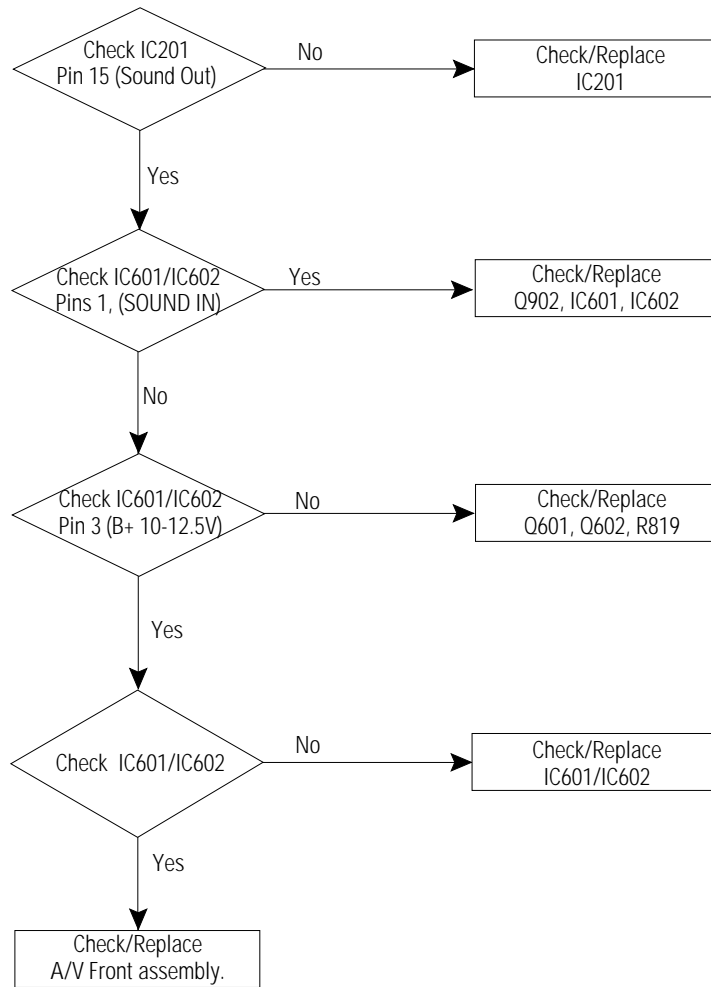
5-2 No Power



5-3 No Video (Sound OK)

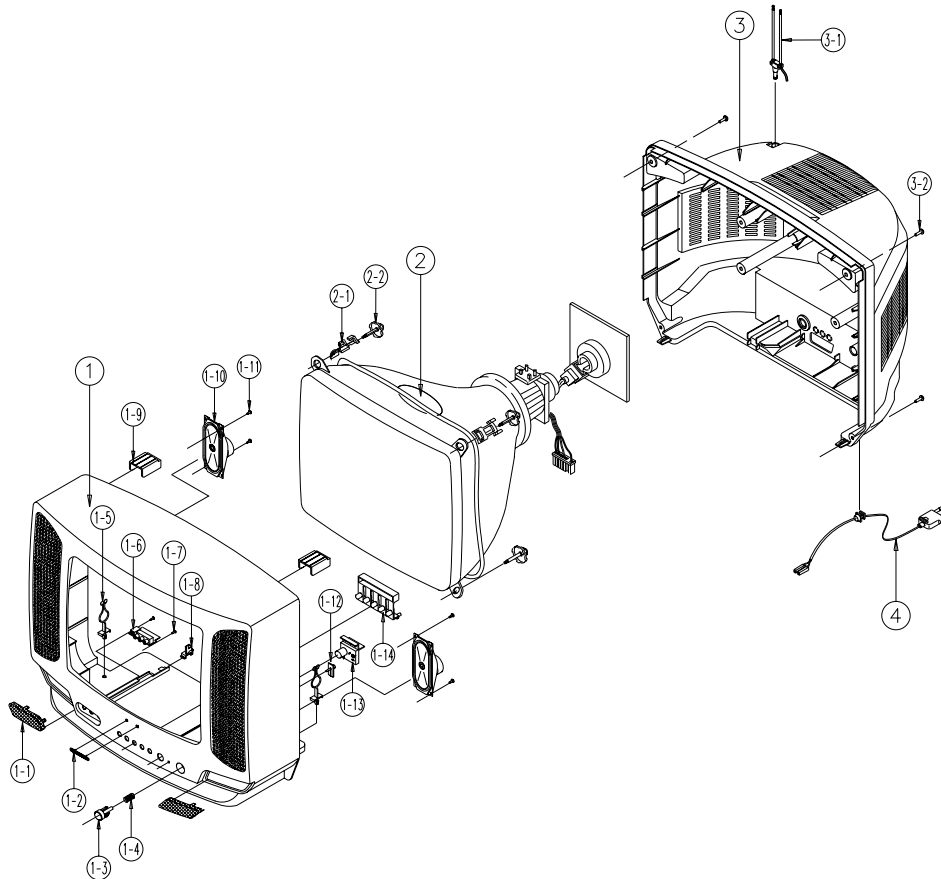


5-4 No Sound (Video OK)



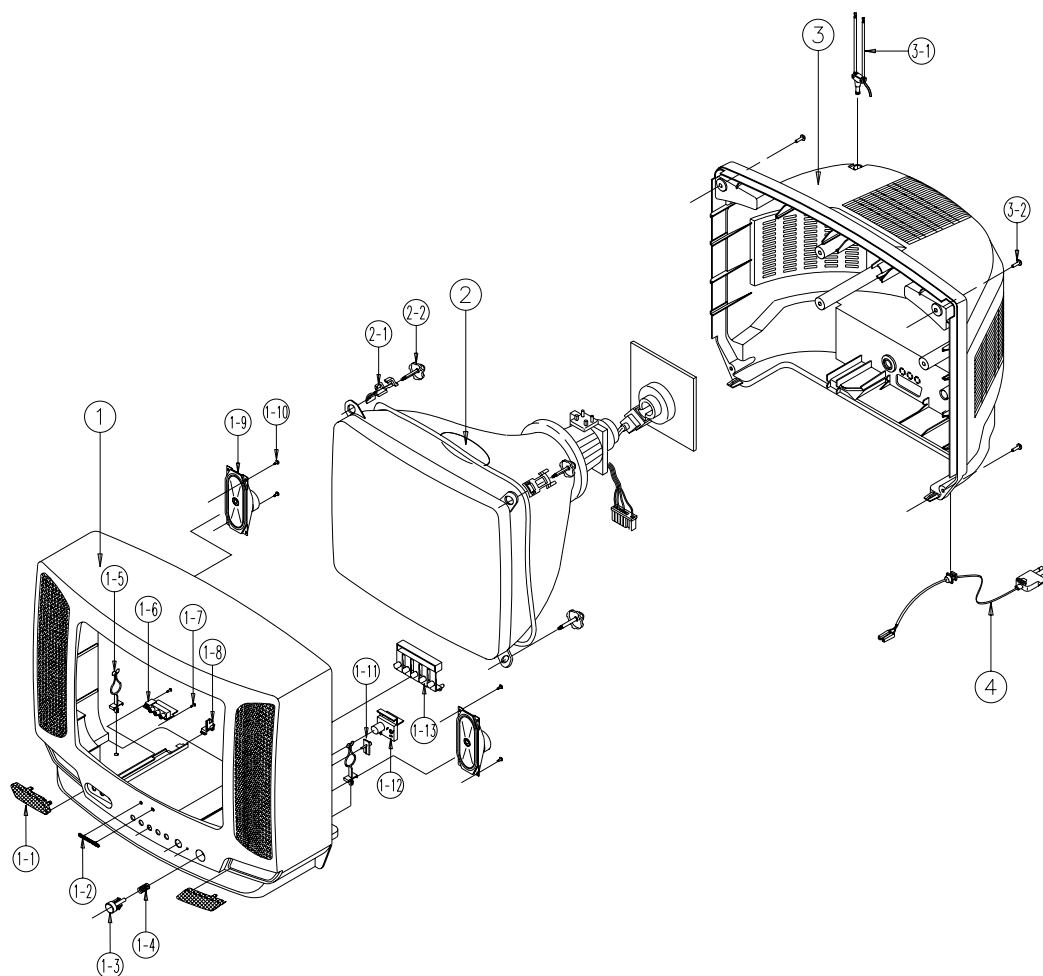
6. Exploded Views & Parts List

6-1 CN331EBZX/DIS, CN331EBZX/XAP



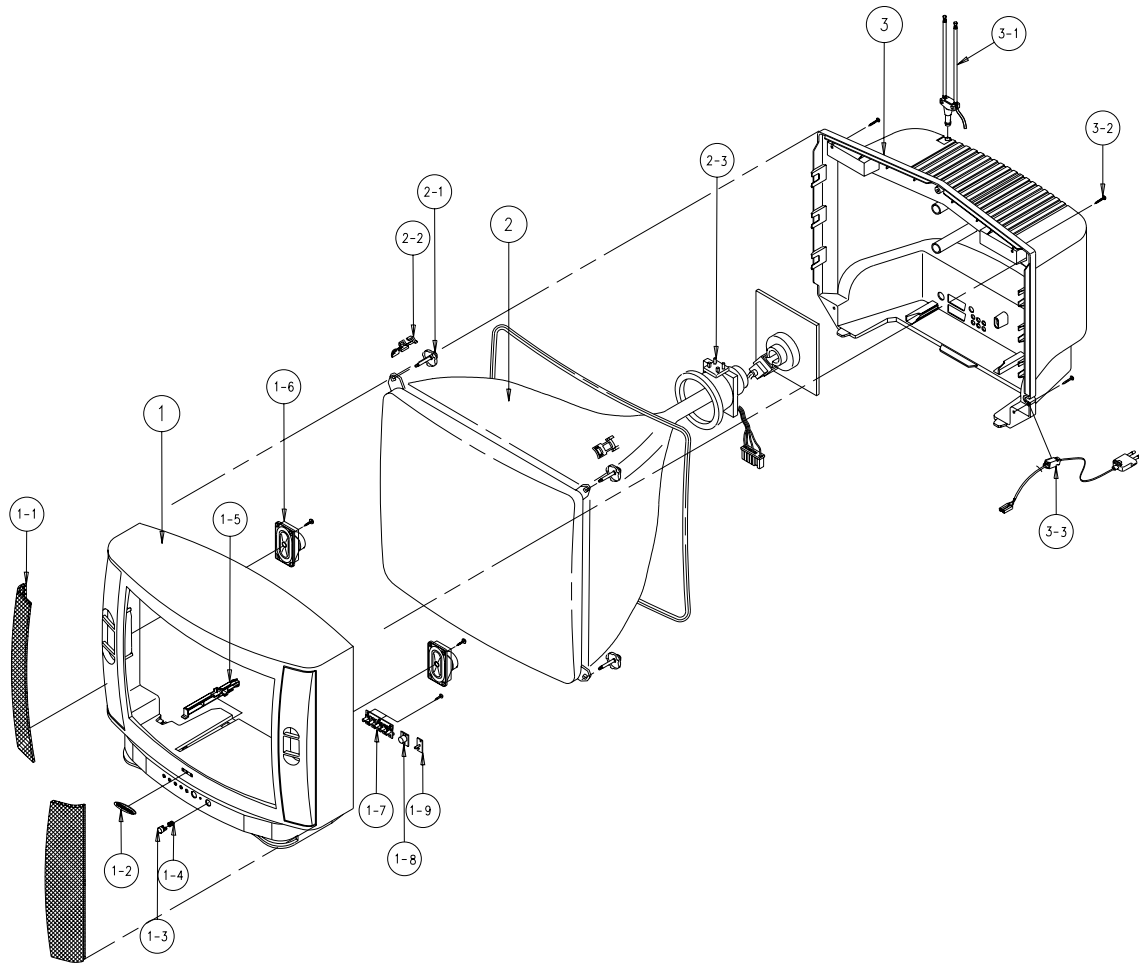
No	Code No	Description	Specification	Q'ty	Remark
1	AA64-30981W	CABINET-FRONT	-.CN331EBZ,BK708P SGB,HIPS,HB,	1	DISMAC SEPA
	AA64-30981X	CABINET-FRONT	-.CN331EBZ,BK708P PGHB,HIPS,HB	1	
1-1	AA63-50311A	GRILLE-WOOFER,L	-.331E,PA110 3R,SECC,TO.5,-,-	1	
	AA63-50306A	GRILLE-WOOFER,R	-.331E,PA110 3R,SECC,TO.5,-,-	1	
1-2	AA64-70009G	BADGE-BRAND	AL,SS R800 22,GOLD,L40,-,-,-	1	
1-3	AA64-10638A	KNOB-POWER,T	-.331E,TACT,ABS,HB,BLK	1	
1-4	AA61-60005S	SPRING-CS	-.SUS304,0.6,OD10,H12.5,N4,-,-	1	
1-5	AA65-30105A	CLAMP-WIRE	NYLON 66,V2,NTR,15MM,ALL MODE	1	
1-6	AA95-90030M	ASSY-PCB,A/V FRONT	-.CT-2139H,KCT15A,NTS	1	
1-7	AA60-10002A	SCREW-TAPPING	RH,+ ,M4,L12,ZPC(YEL),- ,OD1	2	
1-8	AA61-40113A	STOPPER-PCB	501H,HIPS,NTR,HB,-,-	1	
1-9	AA61-40015A	BOSS-CABINET	-.HIPS,HB,NTR,-,-	2	
1-10	3001-001034	SPEAKER	6W,8ohm,90dB,140Hz	2	
1-11	6002-000514	SCREW-TAPPING	RH,+ ,2,M4,L15,ZPC(BLK),SWRCH18	4	
1-12	AA64-40408A	INDICATOR-LED	-.501E,- ,ACRYL,HB,CLR,-	1	
1-13	AA64-40407A	WINDOW-REMOCON	-.501E,- ,PC,-,- ,VIOLET	1	
1-14	AA64-10637A	KNOB-CONTROL	-.501E,- ,ABS,HB,BLK	1	
2	AA03-10003J	CRT-COLOR	-.A34KOV42X(B),OMG,14,90DEG,5	1	
2-1	AA65-30107A	CLAMP-D,COIL	NYLON 66,V2,NTR,- ,20-22 INC	4	
2-2	AA60-10050R	SCREW-ASSY	WC,HH,+ ,M5,L31.5,SWRCH18A,ZPC	4	
3	AA64-30983B	CABINET-BACK	-.331E,- ,HIPS,HB,BLK,-,-	1	
3-1	AA42-10001V	ANT-ROD	-.3S,620mm,BRN,UL/CSA	1	
3-2	6002-000514	SCREW-TAPPING	RH,+ ,2,M4,L15,ZPC(BLK),SWR	4	
4	AA39-10006X	POWER-CORD	-.KKP419C,KLCE-2F,2.286MT,3P,	1	

6-2 CN501EBZX/DIS, CN501EBZX/XAP



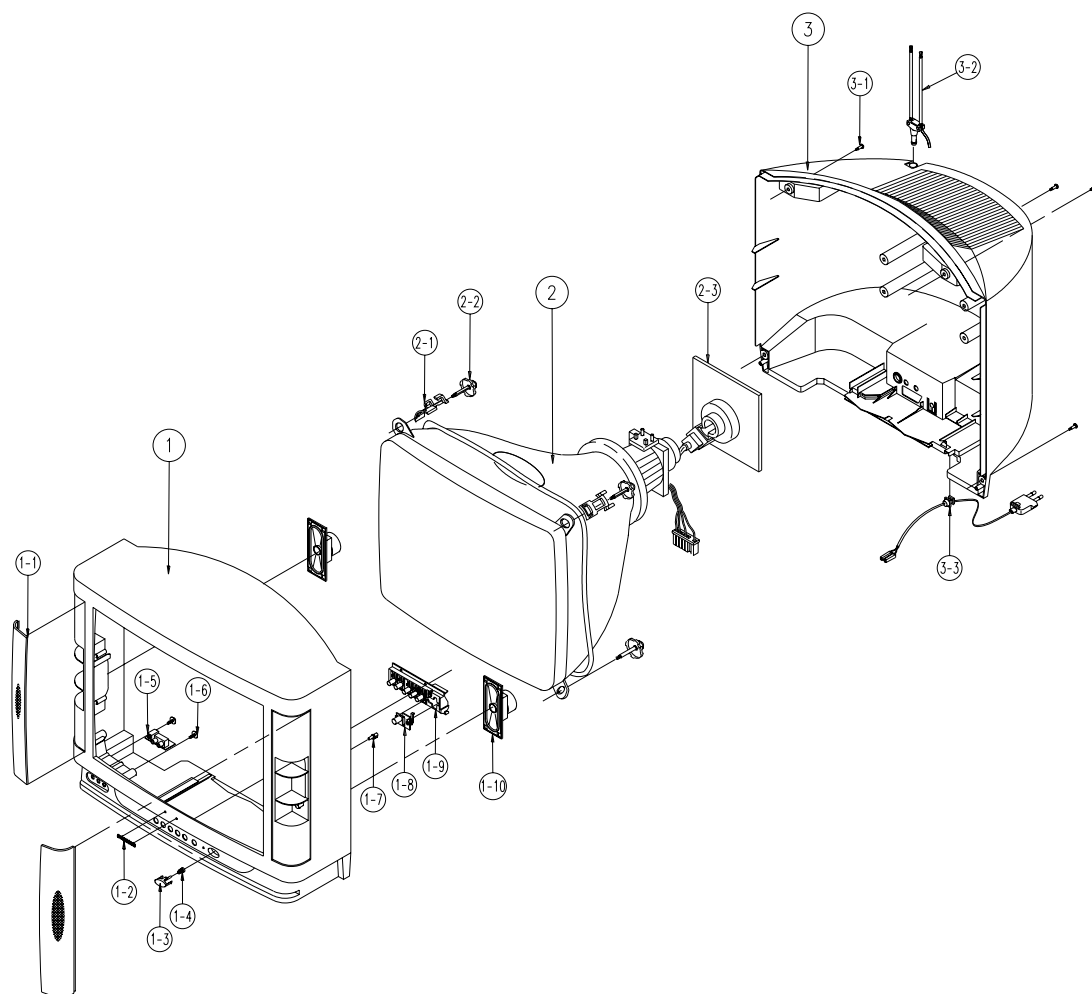
No	Code No	Description	Specification	Q'ty	Remark
1	AA64-31295H	CABINET-FRONT	-.CN501EBZ,BK708P PGHB,HIP	1	CN501EBZX/XAP
	AA64-31295J	CABINET-FRONT	-.CN501EBZ,BK708P SGHB,HIPS,HB	1	CN501EBZX/DIS
1-1	AA63-50310A	GRILLE-WOOFER,L	-.501E,PA110 3R,SECC,TO.	1	
	AA63-50305A	GRILLE-WOOFER,R	-.501E,PA110 3R,SECC,TO.	1	
1-2	AA64-70010D	BADGE-BRAND	AL,SS R2000 25,GOLD,L50,-,-,	1	
1-3	AA64-10635A	KNOB-POWER,T	-.501E,TACT,ABS,HB,BLK	1	
1-4	AA61-60003J	SPRING-CS	-.SUS304,0.5,OD6,H12,N7,-,-,-	1	
1-5	AA65-30105A	CLAMP-WIRE	NYLON 66,V2,NTR,15MM,ALL MODE	1	
1-6	AA95-90030M	ASSY-PCB,A/V FRONT	-.CT-2139H,KCT15A,NTS	1	
1-7	AA60-10002A	SCREW-TAPPING	RH,+M4,L12,ZPC(YEL),-OD1	2	
1-8	AA61-40053A	STOPPER-PCB	ALL MODEL,HIPS HB,WHT,HB,-,-	1	
1-9	3001-001034	SPEAKER	6W,8ohm,90dB,140Hz	2	
1-10	6002-000514	SCREW-TAPPING	RH,+2,M4,L15,ZPC(BLK),SWR	8	
1-11	AA64-40408A	INDICATOR-LED	-.501E,-ACRYL,HB,CLR,-	1	
1-12	AA64-40407A	WINDOW-REMOCON	-.501E,-PC,-,-,VIOLET	1	
1-13	AA64-10637A	KNOB-CONTROL	-.501E,-ABS,HB,BLK	1	
2	AA03-10030L	CRT-COLOR	-.A48KR82X(HB),0mG,20,90deg,	1	
2-1	AA65-30107A	CLAMP-D,COIL	NYLON 66,V2,NTR,-,20-22 INC	4	
2-2	AA60-10050R	SCREW-ASSY	WC,HH,+M5,L31.5,SWRCH18A,ZPC	4	
3	AA64-30979B	CABINET-BACK	-.501E,-HIPS,HB,BLK,-,-	1	
3-1	AA42-10001V	ANT-ROD	-.3S,620mm,BRN,UL/CSA	1	
3-2	6002-000514	SCREW-TAPPING	RH,+2,M4,L15,ZPC(BLK),SWR	4	
4	AA39-10006X	POWER-CORD	-.KKP419C,KLCE-2F,2.286MT,3P,	1	

6-3 CN3339BZX/XAP



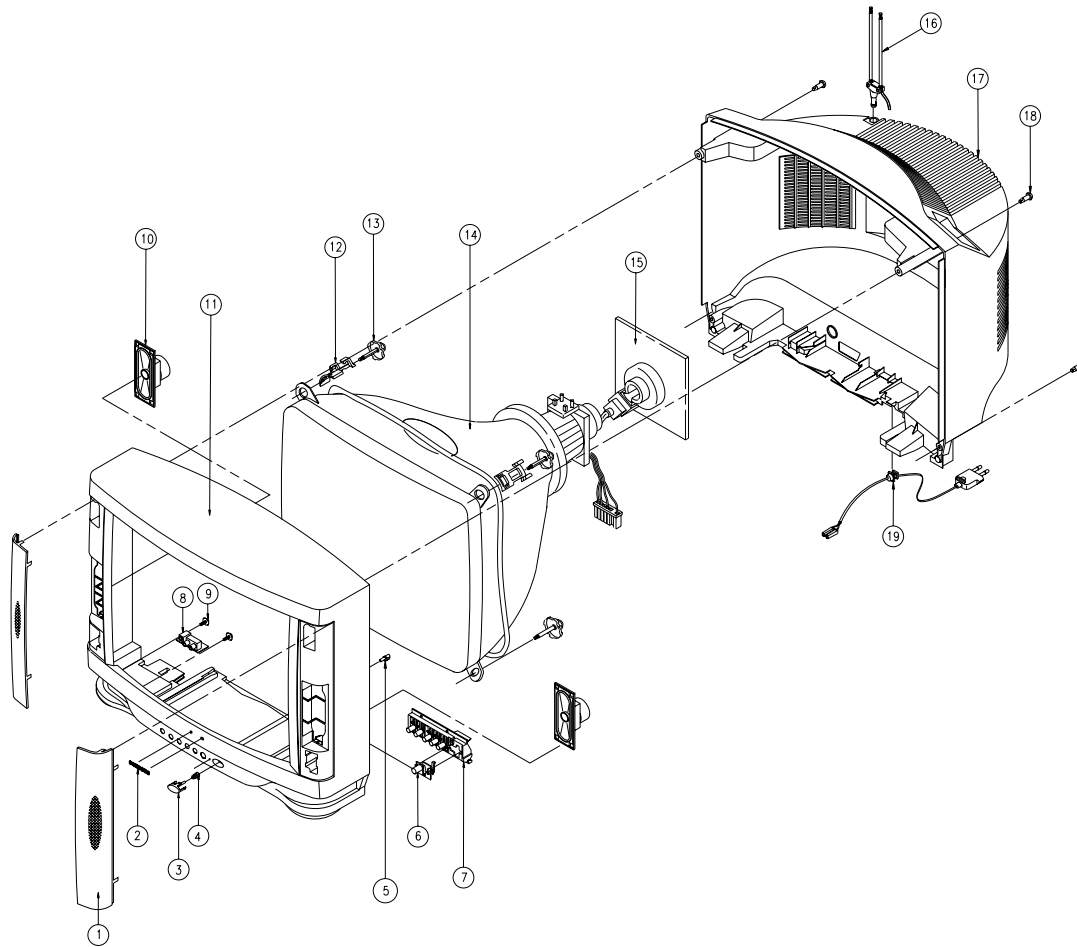
No	Code No	Description	Specification	Q'ty	Remark
1	AA64-31141T	CABINET-FRONT	-.CN-3339BZ,BK-708P PGB TVI,HI	1	
1-1	AA63-50103B	GRILLE-WOOFER	-.3339,PA110 P10.8,SECC,T0.5,-	2	
1-2	AA64-70009D	BADGE-BRAND	AL,SS R2000 22,GOLD,L40,-,-,-	1	
1-3	AA64-10147B	KNOB-POWER,T	-.3339,SILK,ABS,HB,BLK	1	
1-4	AA61-60003J	SPRING-CS	-.SUS304,0.5,OD6,H12,N7,-,-,-	1	
1-5	AA61-40007A	STOPPER-PCB	5038.5368,ABS HB,NTR,-,-,-	1	
1-6	3001-000191	SPEAKER	3W,8ohm,90dB,180Hz	2	
1-7	AA64-10609A	KNOB-CONTROL	-.33.3839,-,ABS,HB,BLK	1	
1-8	AA64-40056A	WINDOW-REMOCON	-.3339,-,PC,-,VIOLET,-	1	
1-9	AA64-40168A	INDICATOR-LED	-.3339,-,ACRYL,-,-,-	1	
2	AA03-10003J	CRT-COLOR	-.A34KQV42X(B),0MG,14,90DEG,5	1	
2-1	AA60-10050R	SCREW-ASSY	WC,HH,+,M5,L31.5,SWRCH18A,ZPC	4	
2-2	AA65-30106A	CLAMP-D,COIL	NYLON 66,V2,NTR,-,14 INCH,-	2	
2-3	3704-001089	SOCKET-CRT	7P,22.5PI,12PI,SN,-	1	
3	AA64-30391A	CABINET-BACK	-.3339,-,HIPS,HB,BLK,-,-	1	
3-1	AA42-10001V	ANT-ROD	-.3S,620mm,BRN,UL/CSA	1	
3-2	6002-000514	SCREW-TAPPING	RH,+,2,M4,L15,ZPC(BLK),SWR	4	
3-3	AA39-10006X	POWER-CORD	-.KKP419C,KLCE-2F,2.286MT,3P,	1	

6-4 CN5039BZX/XAP



No	Code No	Description	Specification	Q'ty	Remark
1	AA64-31261M	CABINET-FRONT	-.CN-5039BZ,BK-708P PGB TV	1	
1-1	AA63-50011B	GRILLE-WOOFER	-.5039,PA110,SECC,TO.5,-,-	2	
1-2	AA64-70010D	BADGE-BRAND	AL,SS R2000 25,GOLD,L50,-,-,-	1	
1-3	AA64-10143B	KNOB-POWER,T	-.5039,SILK,ABS,HB,BLK	1	
1-4	AA61-60003J	SPRING-CS	-.SUS304,0.5,OD6,H12,N7,-,-,-	1	
1-5	AA95-90030M	ASSY-PCB,A/V FRONT	-.CT-2139H,KCT15A,NTS	1	
1-6	AA60-10002A	SCREW-TAPPING	RH,+,M4,L12,ZPC(YEL),-,OD1	2	
1-7	AA64-40167A	INDICATOR-LED	-.5039,-,ACRYL,-,-,-,-	1	
1-8	AA64-40055A	WINDOW-REMOCON	-.5039,NO-SILK,PC,-,-,-,-	1	
1-9	AA64-10048A	KNOB-CONTROL	-.5039,-,ABS,HB,BLK	1	
1-10	3001-000191	SPEAKER	3W,8ohm,90dB,180Hz	2	
2	AA03-10030L	CRT-COLOR	-.A48KRD82X(HB),0mG,20,90deg,	1	
2-1	AA60-10050R	SCREW-ASSY	WC,HH,+,M5,L31.5,SWRCH18A,ZPC	4	
2-2	AA65-30107A	CLAMP-D,COIL	NYLON 66,V2,NTR,-,20-22 INC	4	
2-3	3704-001090	SOCKET-CRT	9P,15.24PI,26.5PI,SN,-	1	
3	AA64-30389A	CABINET-BACK	-.5039,-,HIPS,V0,BLK,-,-	1	
3-1	6002-000514	SCREW-TAPPING	RH,+,2,M4,L15,ZPC(BLK),SWR	4	
3-2	AA42-10001V	ANT-ROD	-.3S,620mm,BRN,UL/CSA	1	
3-3	AA39-10006X	POWER-CORD	-.KKP419C,KLCE-2F,2.286MT,3P,	1	

6-5 CN5085BZX/DRI



No	Code No	Description	Specification	Q'ty	Remark
1	AA64-31143U	CABINET-FRONT	-.CN5085BZ,BK708P SGHB,HIP	1	
2	AA64-70010D	BADGE-BRAND	AL,SS R2000 25,GOLD,L50,-,-,-	1	
3	AA64-10183B	KNOB-POWER,M	-.33.5085,SILK,ABS,HB,BLK	1	
4	AA61-60003T	SPRING-CS	-.SUS304,0.5,OD7,H13.5,N5,-,-,-	1	
5	AA64-40181A	INDICATOR-LED	-.33.50.5385,-,ACRYL,-,-,-	1	
6	AA64-40036A	WINDOW-REMOCON	-.5085,-,PC,-,-,-	1	
7	AA64-10007A	KNOB-CONTROL	-.5085,-,ABS,HB,BLK	1	
8	AA95-90030M	ASSY-PCB,A/V FRONT	-.CT-2139H,KCT15A,NTS	1	
9	AA60-10002A	SCREW-TAPPING	RH,+ ,M4,L12,ZPC(YEL),- ,OD1	2	
10	3001-000191	SPEAKER	3W,8ohm,90dB,180Hz	2	
11	AA64-31143U	CABINET-FRONT	-.CN5085BZ,BK708P SGHB,HIP	1	
12	AA65-30107A	CLAMP-D,COIL	NYLON 66,V2,NTR,-,20-22 INC	4	
13	AA60-10050R	SCREW-ASSY	WC,HH,+ ,M5,L31.5,SWRCH18A,ZPC	4	
14	AA03-10030L	CRT-COLOR	-.A48KRD82X(HB),0mG,20,90deg,	1	
15	3704-001090	SOCKET-CRT	9P,15.24PI,26.5PI,SN,-	1	
16	AA42-10001V	ANT-ROD	-.3S,620mm,BRN,UL/CSA	1	
17	AA64-30713A	CABINET-BACK	-.5085,-,HIPS,HB,BLK,-,-	1	
18	6002-000514	SCREW-TAPPING	RH,+ ,2,M4,L15,ZPC(BLK),SWR	4	
19	AA39-10006X	POWER-CORD	-.KKP419C,KLCE-2F,2.286MT,3P,	1	

MEMO

7. Electric Parts List

7-1 CN331EBZX/DIS (CN501EBZX/XAP AND CN331EBZX/DIS Dissimilar

Loc. No.	Code No.	Description ; Specification	Remark	Loc. No.	Code No.	Description ; Specification	Remark
		ASSY-PCB,MAIN				REMOCON	
*	AA94-10151U	ASSY-PCB,MAIN(OPT);CN331EBZX/DIS,K15B,BOLIVIA,-			AA59-10107E	REMOCON;-;TM59,SS,SSM174PT,27,-,-,L/GR	
C402	2301-001219	C-FILM,MPE-PPF:3.9nF,5%,1.6KV,TP,29x8.5x15,20				ASSY-CABINET	
C404	2306-000179	C-FILM,MPPF:300nF,5%,250V,TP,20x18.5x10.5,					
C413	2401-002268	C-AL:2.2uF,20%,250V,LZ,TP,8X11.5		*	AA91-10298R	ASSY-CABINET,FRONT;-;CN331EBZ,BK708P,HB,BLK	
CN501	AA39-20109A	LEAD-CONNECTOR,ASSY;-;YBNH025-08,S,8P,400,1007#26					
△ CN802	AA27-20003U	COIL-DEGAUSSING;-;14,16.4ohm,75T,890mm,D			BADGE	AA64-70009G	BADGE-BRAND;AL,SS R800 22,GOLD,L40,-,-,-
△ L401	AA27-30003R	COIL-LINERITY;-;220uH,YL10x10,0.35mm,23x13mm			BACK	AA64-30983B	CABINET-BACK;-;331E,-;HIPS,HB,BLK,-,-
R301	2004-000500	R-METAL:2.7Kohm,1%,1/8W,AA,TP,1.8x3.2m			FRONT	AA64-30981WC	CABINET-FRONT;-;CN331EBZ,BK708P SGB,HIPS,HB,
R302	2003-002010	R-METAL OXIDE(S):680ohm,5%,1W,AF,TP,3.9x10mm			D/COIL	AA65-30106A	CLAMP-D,COIL:NYLON 66,V2,NTR,-;14 INCH,-
R404	2001-001410	R-CARBON(S):43ohm,5%,1/2W,AA,TP,2.4x6.4mm			GRILLE	AA63-50311A	GRILLE-WOOFER,L;-;331E,PA110 3R,SECC,T0.5,-,-
R501M	2002-001008	R-COMPOSITION:1.8Kohm,5%,1/2W,AA,TP,3.7x9mm			GRILLE	AA63-50306A	GRILLE-WOOFER,R;-;331E,PA110 3R,SECC,T0.5,-,-
R502M	2002-001008	R-COMPOSITION:1.8Kohm,5%,1/2W,AA,TP,3.7x9mm			KNOB	AA64-10638A	KNOB-POWER,T;-;331E,TACT,ABS,HB,BLK
R505	2008-001015	R-FUSIBLE(S):1.5ohm,5%,2W,AF,TP,3.9x10mm			SPK+CF	6002-000514	SCREW-TAPPING,RH,+2,M4,L15,ZPC(BLK),SWRCHT8
△ T444	AA26-30005S	TRANS-FLYBACK;-;FSV-14A004(S),14,125V			KNOPOW	AA61-60005S	SPRING-CS;-;SUS304,0.6,OD10,H12.5,N4,-,-
△ V999	3704-001089	SOCKET-CRT:7P,22.5PI,12PI,SN,-			STOP/P	AA61-40113A	STOPPER-PCB:501H,HIPS,NTR,HB,-,-
		ASSY-ACCESSORY				ASSY-SPEAKER	
	AA68-11319A	MANUAL-USERS;K15B,ENG,TM59,205X150,W/P 100(*	AA96-10144A	ASSY-SPEAKER;-;8ohm,6W,001034,20505N,R550,L	
		ASSY-CRT			AA39-20505N	LEAD CONNECTOR-ASSY;-;YSH025-04,REC,4P,350,550mm,1	
*	AA94-50013W	ASSY-CRT;A34KQV42X(B),0mG,14,BARE,CN33					
△	AA03-10003J	CRT-COLOR;-;A34KQV42X(B),0MG,14,90DEG,5					
	AA27-50004X	DEFLECTION-YOKE;-;DSE-1422FL(G),14/A34KQV42X,					
	AA27-60001L	MAGNET-CONVERGENCE;-;NY-225,22.5mm					

7-2 CN331EBZX/XAP (CN501EBZX/XAP AND CN331EBZX/XAP Dissimilar Parts)

Loc. No.	Code No.	Description ; Specification	Remark	Loc. No.	Code No.	Description ; Specification	Remark
		ASSY-PCB,MAIN				ASSY-CABINET	
*	AA94-10152K	ASSY-PCB,MAIN(OPT);CN331EBZX/XAP,K15B,BRAZIL,-		*	AA91-10298S	ASSY-CABINET,FRONT;-;CN331EBZ,BK708P PGHB,HB,BLK	
C402	2301-001219	C-FILM,MPE-PPF:3.9nF,5%,1.6KV,TP,29x8.5x15,20					
C404	2306-000179	C-FILM,MPPF:300nF,5%,250V,TP,20x18.5x10.5,					
C413	2401-002268	C-AL:2.2uF,20%,250V,LZ,TP,8X11.5					
CN501	AA39-20109A	LEAD-CONNECTOR,ASSY;-;YBNH025-08,S,8P,400,1007#26					
△ CN802	AA27-20003U	COIL-DEGAUSSING;-;14,16.4ohm,75T,890mm,D					
L401	AA27-30003R	COIL-LINERITY;-;220uH,YL10x10,0.35mm,23x13mm					
R301	2004-000500	R-METAL:2.7Kohm,1%,1/8W,AA,TP,1.8x3.2m					
R302	2003-002010	R-METAL OXIDE(S):680ohm,5%,1W,AF,TP,3.9x10mm					
R404	2001-001410	R-CARBON(S):43ohm,5%,1/2W,AA,TP,2.4x6.4mm					
R501M	2002-001008	R-COMPOSITION:1.8Kohm,5%,1/2W,AA,TP,3.7x9mm					
R502M	2002-001008	R-COMPOSITION:1.8Kohm,5%,1/2W,AA,TP,3.7x9mm					
R505	2008-001015	R-FUSIBLE(S):1.5ohm,5%,2W,AF,TP,3.9x10mm					
△ T444	AA26-30005S	TRANS-FLYBACK;-;FSV-14A004(S),14,125V					
△ V999	3704-001089	SOCKET-CRT:7P,22.5PI,12PI,SN,-					
		ASSY-CRT				ASSY-SPEAKER	
*	AA94-50013W	ASSY-CRT;A34KQV42X(B),0mG,14,BARE,CN33		*	AA96-10144A	ASSY-SPEAKER;-;8ohm,6W,001034,20505N,R550,L	
△	AA03-10003J	CRT-COLOR;-;A34KQV42X(B),0MG,14,90DEG,5			AA39-20505N	LEAD CONNECTOR-ASSY;-;YSH025-04,REC,4P,350,550mm,1	
	AA27-50004X	DEFLECTION-YOKE;-;DSE-1422FL(G),14/A34KQV42X,					
	AA27-60001L	MAGNET-CONVERGENCE;-;NY-225,22.5mm					

7-3 CN501EBZX/XAP, CN501EBZX/DIS

Loc. No.	Code No.	Description ; Specification	Remark	Loc. No.	Code No.	Description ; Specification	Remark
ASSY-PCB,MAIN							
*	AA94-10152L	ASSY-PCB,MAIN(OPT);CN501EBZX/XAP,K15B,BR	SPEA	C504	2401-001232	C-AL:4.7uF,20%,250V,GP,TP,10x12.5,5	
*	AA94-10151V	ASSY-PCB,MAIN(OPT);CN501EBZX/DIS,K15B,BOLIVIA,-	DISMAC	C506	2401-000430	C-AL:10uF,20%,250V,GP,TP,10x16mm,5m	
C102	2401-000962	C-AL:22uF,20%,50V,GP,TP,5x11,5		C601	2401-000914	C-AL:22uF,20%,16V,GP,TP,5x11,5	
C104	2202-000127	C-CERAMIC,MLC-AXIAL:10nF,+80-20%,25V,Y5V		C602	2202-000279	C-CERAMIC,MLC-AXIAL:47pF,5%,50V,SL,TP,3.	
C108	2401-000480	C-AL:10uF,20%,50V,GP,TP,5x11,5		C603	2301-000314	C-FILM,PEF:8.2nF,5%,50V,TP,6.5x3.0x5.5mm	
C110	2401-002594	C-AL:220uF,20%,16V,GP,TP,8x11.5,5		C604	2401-000660	C-AL:2.2uF,20%,50V,GP,TP,5x11,5	
C151	2202-000127	C-CERAMIC,MLC-AXIAL:10nF,+80-20%,25V,Y5V		C605	2306-000122	C-FILM,MPPF:100nF,5%,50V,TP,7.3x4.0x5.0m	
C153	2202-000127	C-CERAMIC,MLC-AXIAL:10nF,+80-20%,25V,Y5V		C606	2202-000279	C-CERAMIC,MLC-AXIAL:47pF,5%,50V,SL,TP,3.	
C201	2306-000122	C-FILM,MPPF:100nF,5%,50V,TP,7.3x4.0x5.0m		C609	2401-000133	C-AL:1000uF,20%,16V,GP,TP,10x20,5	
C202	2401-001840	C-AL:100uF,20%,16V,GP,TP,6.3x11,5		C651	2401-000660	C-AL:2.2uF,20%,50V,GP,TP,5x11,5	
C203	2401-000660	C-AL:2.2uF,20%,50V,GP,TP,5x11,5		C652	2401-000660	C-AL:2.2uF,20%,50V,GP,TP,5x11,5	
C204	2401-001333	C-AL:470nF,20%,50V,GP,TP,5x11,5		C654	2401-001363	C-AL:470uF,20%,16V,GP,TP,10x12.5,5	
C205	2305-000411	C-FILM,MPEF:470nF,5%,50V,TP,7.3x4.8x5.5m		C655	2401-001363	C-AL:470uF,20%,16V,GP,TP,10x12.5,5	
C206	2305-000411	C-FILM,MPEF:470nF,5%,50V,TP,7.3x4.8x5.5m		C702	2401-000471	C-AL:10uF,20%,50V,GP,TP,5x11.5mm	
C207	2305-000196	C-FILM,MPEF:150nF,5%,63V,TP,-,5mm		C703	2202-000796	C-CERAMIC,MLC-AXIAL:1nF,10%,50V,Y5P,TP,3	
C208	2401-000027	C-AL:4.7uF,20%,50V,GP,TP,5x11,5		C801	2401-002219	C-AL:220uF,20%,400V,GP,ST,25x40,10	
C209	2202-000849	C-CERAMIC,MLC-AXIAL:18pF,5%,50V,CH,TP,3.		C802	2201-000119	C-CERAMIC,DISC:100nF,+80-20%,50V,Y5V,TP,	
C210	2301-000445	C-FILM,PEF:4.7nF,5%,50V,TP,5.5x7x3mm,5mm		C803	2303-000163	C-FILM,PPF:2.2nF,5%,800V,TP,15x13x8.5,7.	
C211	2305-000665	C-FILM,MPEF:100nF,5%,63V,TP,7.5x4.0x5.0m		C804	2201-000987	C-CERAMIC,DISC:2.2nF,20%,400V,Y5U,TP,15x	
C212	2301-000192	C-FILM,PEF:1nF,5%,50V,TP,5.3x10mm,5mm		C805	2201-000991	C-CERAMIC,DISC:560pF,10%,2KV,Y5P,TP,13x7	
C213	2201-000258	C-CERAMIC,DISC:17pF,5%,50V,CH,TP,5x3,5		C806	2401-000262	C-AL:100uF,20%,16V,HR,TP,16x25,7.5	
C214	2301-000356	C-FILM,PEF:47nF,5%,50V,TP,7.5x4.0x6.5,5m		C807	2201-000599	C-CERAMIC,DISC:560pF,10%,500V,Y5P,TP,7x4	
C215	2301-000383	C-FILM,PEF:10nF,5%,50V,TP,6x7x3.2mm,5mm		C808	2301-000016	C-FILM,PEF:22nF,5%,100V,TP,7.2x4.5x9.0mm	
C216	2305-000289	C-FILM,MPEF:220nF,5%,63V,TP,-,5mm		C809	2401-001998	C-AL:1000uF,20%,25V,GP,TP,10x20,5mm	
C218	2202-000791	C-CERAMIC,MLC-AXIAL:150pF,10%,50V,Y5P,TP		C810	2306-000122	C-FILM,MPPF:100nF,5%,50V,TP,7.3x4.0x5.0m	
C219	2401-000603	C-AL:1uF,20%,50V,GP,TP,5x11,5		C812	2401-001840	C-AL:100uF,20%,16V,GP,TP,6.3x11,5	
C222	2401-000480	C-AL:10uF,20%,50V,GP,TP,5x11,5		C813	2401-002144	C-AL:47uF,20%,16V,GP,TP,5x11,5	
C226	2301-000224	C-FILM,PEF:22nF,5%,50V,TP,7.4x3.9x13mm		△ C814	2306-000318	C-FILM,MPPF:220nF,20%,275V,TP,-,22.5mm	
C231	2401-000480	C-AL:10uF,20%,50V,GP,TP,5x11,5		C816	2401-000480	C-AL:10uF,20%,50V,GP,TP,5x11,5	
C232	2401-001840	C-AL:100uF,20%,16V,GP,TP,6.3x11,5		C817	2401-001840	C-AL:100uF,20%,16V,GP,TP,6.3x11,5	
C238	2401-002144	C-AL:47uF,20%,16V,GP,TP,5x11,5		△ C819	2201-000963	C-CERAMIC,DISC:1nF,20%,400V,Y5U,TP,11x8m	
C239	2305-000289	C-FILM,MPEF:220nF,5%,63V,TP,-,5mm		C820	2401-001998	C-AL:1000uF,20%,25V,GP,TP,10x20,5mm	
C240	2305-000665	C-FILM,MPEF:100nF,5%,63V,TP,7.5x4.0x5.0m		C821	2401-001486	C-AL:47uF,20%,160V,HR,TP,13x20mm,5m	
C247	2202-002037	C-CERAMIC,MLC-AXIAL:100nF,80-20%,50V,Y5V		C822	2301-000192	C-FILM,PEF:1nF,5%,50V,TP,5.3x10mm,5mm	
C248	2309-000138	C-FILM,PE-PPF:100nF,5%,50V,TP,20x16x8,5		C823	2201-000370	C-CERAMIC,DISC:220pF,10%,50V,Y5P,TP,4.0X	
C249	2401-000603	C-AL:1uF,20%,50V,GP,TP,5x11,5		C851	2401-001571	C-AL:47uF,+20%-0%,50V,GP,TP,8x11,5	
C250	2301-000224	C-FILM,PEF:22nF,5%,50V,TP,7.4x3.9x13mm		C852	2301-000310	C-FILM,PEF:68nF,5%,50V,TP,8.0X8.5X4.0X	
C251	2301-000445	C-FILM,PEF:4.7nF,5%,50V,TP,5.5x7x3mm,5mm		C901	2401-002144	C-AL:47uF,20%,16V,GP,TP,5x11,5	
C252	2301-000192	C-FILM,PEF:1nF,5%,50V,TP,5.3x10mm,5mm		C902	2202-000796	C-CERAMIC,MLC-AXIAL:1nF,10%,50V,Y5P,TP,3	
C253	2306-000122	C-FILM,MPPF:100nF,5%,50V,TP,7.3x4.0x5.0m		C903	2401-000480	C-AL:10uF,20%,50V,GP,TP,5x11,5	
C301	2202-000183	C-CERAMIC,MLC-AXIAL:2.2nF,20%,16V,Y5R,TP		C904	2202-000796	C-CERAMIC,MLC-AXIAL:1nF,10%,50V,Y5P,TP,3	
C302	2202-000183	C-CERAMIC,MLC-AXIAL:2.2nF,20%,16V,Y5R,TP		C906	2201-000662	C-CERAMIC,DISC:7pF,0.3pF,50V,CH,TP,5x3,5	
C303	2401-003028	C-AL:100uF,20%,25V,WT,TP,6.3x11,5		C907	2201-000662	C-CERAMIC,DISC:7pF,0.3pF,50V,CH,TP,5x3,5	
C304	2401-000901	C-AL:22uF,20%,160V,GP,TP,10x20,5		C908	2201-000257	C-CERAMIC,DISC:16pF,5%,50V,CH,TP,5x3,5	
C307	2305-000708	C-FILM,MPEF:150nF,5%,100V,TP,16.5x10.3x5		C909	2201-000257	C-CERAMIC,DISC:16pF,5%,50V,CH,TP,5x3,5	
C308	2305-000470	C-FILM,MPEF:68nF,5%,100V,TP,-,5mm		C911	2401-002144	C-AL:47uF,20%,16V,GP,TP,5x11,5	
C309	2305-000149	C-FILM,MPEF:100nF,5%,100V,TP,12x12.5x6.5		C912	2301-000246	C-FILM,PEF:33nF,5%,100V,TP,7x5.0x9.5mm,5	
C310	2305-000285	C-FILM,MPEF:220nF,5%,100V,TP,20x18x11,5		C913	2202-000796	C-CERAMIC,MLC-AXIAL:1nF,10%,50V,Y5P,TP,3	
C401	2201-000600	C-CERAMIC,DISC:560pF,10%,50V,Y5P,TP,5x3,		C914A	2401-000947	C-AL:22uF,20%,35V,GP,TP,5x11,5	
C402	2306-000327	C-FILM,MPPF:6.3nF,3%,1.6KV,TP,28.5x18x10		C915	2202-000127	C-CERAMIC,MLC-AXIAL:10nF,+80-20%,25V,Y5V	
△ C403	2201-000639	C-CERAMIC,DISC:680pF,10%,2KV,Y5P,TP,11x6		C917	2202-000807	C-CERAMIC,MLC-AXIAL:22nF,+80-20%,25V,Y5V	
C404	2306-000004	C-FILM,MPPF:330nF,5%,250V,TP,20x18.5x10.		CC01	2201-000247	C-CERAMIC,DISC:15pF,5%,50V,CH,TP,5x3,5	
C405	2301-001065	C-FILM,MPPF:47nF,5%,630V,TP,19x15.5x7,7.		CC02	2201-000258	C-CERAMIC,DISC:17pF,5%,50V,CH,TP,5x3,5	
C406	2201-000556	C-CERAMIC,DISC:470pF,10%,500V,Y5P,TP,7x4		CLAMP/F	AA65-30109A	CLAMP-FBT;NYLON-66,V2,BLK,-,-,-	
C407	2401-001661	C-AL:68uF,20%,100V,GP,TP,10x16,5		CLAMP/W	AA65-30104C	CLAMP-WIRE;NYLON 66,V2,NTR,W1 Z4,ALL MOD	
C408	2201-000556	C-CERAMIC,DISC:470pF,10%,500V,Y5P,TP,7x4		CN501	AA39-20109B	LEAD-CONNECTOR,ASSY;-YBNH025-08,S,8P,50	
C409	2401-001397	C-AL:470uF,20%,25V,GP,TP,10x16,5		CN601	3711-002643	CONNECTOR-HEADER;BOX,4P,1R,2.5MM,STRAIGH	
C410	2301-000383	C-FILM,PEF:10nF,5%,50V,TP,6x7x3.2mm,5mm		CN701	3711-002646	CONNECTOR-HEADER;BOX,7P,1R,2.5mm,STRAIGH	
C411	2201-000556	C-CERAMIC,DISC:470pF,10%,500V,Y5P,TP,7x4		△ CN802	AA27-20003X	COIL-DEGAUSSING;-20,14.4ohm,48TL2170,	
C412	2401-000927	C-AL:22uF,20%,250V,GP,TP,13x20MM,5M		CU10	2401-000832	C-AL:220uF,20%,25V,GP,TP,8x11.5,5	
C413	2401-002267	C-AL:2.2uF,20%,250V,GP,TP,8x11.5,5		D101	0403-000700	DIODE-ZENER:T2P33A,33V,31-35V,1W,DO-41,T	
C419	2201-000639	C-CERAMIC,DISC:680pF,10%,2KV,Y5P,TP,11x6		D102	0403-000296	DIODE-ZENER:MT25.6B,5.6V,5.45-5.73V,500m	
C445	2305-000382	C-FILM,MPEF:4.7nF,5%,400V,TP,-,5mm		D201	0401-000005	DIODE-SWITCHING;1N4148,75V,300mA,DO-35,T	
C501	2201-000192	C-CERAMIC,DISC:10pF,0.3pF,500V,CH,TP,7x4		D202	0401-000005	DIODE-SWITCHING;1N4148,75V,300mA,DO-35,T	
C502	2301-000213	C-FILM,PEF:220nF,5%,250V,TP,21.5x11,7,5		D210	0401-000005	DIODE-SWITCHING;1N4148,75V,300mA,DO-35,T	
C503	2201-002063	C-CERAMIC,DISC:10nF,+80-20%,3KV,Y5V,TP,1		D301	0402-000132	DIODE-RECTIFIER;1N4004,400V,1A,DO-41,TP	
				D401	0402-000132	DIODE-RECTIFIER;1N4004,400V,1A,DO-41,TP	
				D402	0402-000132	DIODE-RECTIFIER;1N4004,400V,1A,DO-41,TP	
				D403	0402-001105	DIODE-RECTIFIER;ERB43-04SV1,400V,1.0A,-,-,	
				D404	0402-000534	DIODE-RECTIFIER;RG10V,400V,1.2A,DO-201,T	
				D405	0402-000546	DIODE-RECTIFIER;TVR10G,400V,1.0A,DO-41,T	

Loc. No.	Code No.	Description ; Specification	Remark	Loc. No.	Code No.	Description ; Specification	Remark
D407	0402-001105	DIODE-RECTIFIER:ERB43-04SV1,400V,1.0A,-,		L804	3301-000287	CORE-FERRITE BEAD:AA,3.5x1x6mm,1500,2400	
D501	0402-000216	DIODE-RECTIFIER:ERC24-06,600V,1.0A,DO-20		L809	2901-000299	FILTER-EMI ON BOARD:-,6A,UL/CSA,-,9x7.5,	
D502	0402-000546	DIODE-RECTIFIER:TVR10G,400V,1.0A,DO-41,T		L810	2701-001032	INDUCTOR-AXIAL:10uH,10%,5x14mm	
D503	0402-000546	DIODE-RECTIFIER:TVR10G,400V,1.0A,DO-41,T		L811	2901-000299	FILTER-EMI ON BOARD:-,6A,UL/CSA,-,9x7.5,	
D504	0402-000546	DIODE-RECTIFIER:TVR10G,400V,1.0A,DO-41,T		L901	2701-000197	INDUCTOR-AXIAL:5.6uH,10%,2.5x3.4mm	
D601	0401-000005	DIODE-SWITCHING:1N4148,75V,300mA,DO-35,T		L902	2701-000114	INDUCTOR-AXIAL:10uH,10%,2.5x3.4mm	
D802	0402-000540	DIODE-RECTIFIER:RU20A,600V,1.5A,-,TP		LD901	AA96-30001C	ASSY-LED,GUIDE:-,AA61-50055A,DL-G7RA,-	
D803	0402-000546	DIODE-RECTIFIER:TVR10G,400V,1.0A,DO-41,T		LWU01	2701-000177	INDUCTOR-AXIAL:33uH,10%,2.5X3.4MM	
D805	0402-000213	DIODE-RECTIFIER:ERB12-06,600V,1.0A,DO-41		NT801	1404-000187	THERMISTOR-NTC:4.7ohm,15%,2800K,27.2mW/C	
D806	0401-000005	DIODE-SWITCHING:1N4148,75V,300mA,DO-35,T		△P801	1404-001087	THERMISTOR-PTC:7ohm,30%,220V,270V,19A,-,	
△D807	0402-000213	DIODE-RECTIFIER:ERB12-06,600V,1.0A,DO-41		△PC802	0604-001038	PHOTO-COUPLER:TR,130-260%,200mW,DIP-4,ST	
△D808	0402-000213	DIODE-RECTIFIER:ERB12-06,600V,1.0A,DO-41		Q151	0501-000436	TR-SMALL SIGNAL:KTC3197,NPN,625mW,TO-92,	
△D809	0402-000213	DIODE-RECTIFIER:ERB12-06,600V,1.0A,DO-41		Q201	0501-000389	TR-SMALL SIGNAL:KSC815,NPN,400mW,TO-92,T	
△D810	0402-000213	DIODE-RECTIFIER:ERB12-06,600V,1.0A,DO-41		Q202	0501-000389	TR-SMALL SIGNAL:KSC815,NPN,400mW,TO-92,T	
D814	0404-001056	DIODE-SCHOTTKY:RK16,60V,1.5A,DO-204AC,TP		Q205	0501-000389	TR-SMALL SIGNAL:KSC815,NPN,400mW,TO-92,T	
D855	0403-000297	DIODE-ZENER:MTZ6.2B,6.2V,5.96-6.27V,500m		△Q401	0502-001115	TR-POWER:KSC5386,NPN,50W,TO-3PF,ST,8-	
D856	0403-000296	DIODE-ZENER:MTZ5.6B,5.6V,5.45-5.73V,500m		Q402	0501-000369	TR-SMALL SIGNAL:KSC2331-Y,NPN,1W,TO-92L,	
D901	0401-000005	DIODE-SWITCHING:1N4148,75V,300mA,DO-35,T		Q601	0502-000242	TR-POWER:KSA614,PNP,25W,TO-220,TP,40-24	
D902	0403-000560	DIODE-ZENER:MTZ6.8B,6.8V,6.49-6.83V,500m		Q602	0501-000389	TR-SMALL SIGNAL:KSC815,NPN,400mW,TO-92,T	
D903	0401-000005	DIODE-SWITCHING:1N4148,75V,300mA,DO-35,T		Q801	1203-001217	IC-POSICADJUST REG:-,431,TO-92,3P,4.58MIL	
D905	0403-000296	DIODE-ZENER:MTZ5.6B,5.6V,5.45-5.73V,500m		Q902	0501-000389	TR-SMALL SIGNAL:KSC815,NPN,400mW,TO-92,T	
D906	0401-000005	DIODE-SWITCHING:1N4148,75V,300mA,DO-35,T		QC01	0504-000123	TR-DIGITAL:KSR1010,NPN,300mW,10K,TO-92,T	
D907	0401-000005	DIODE-SWITCHING:1N4148,75V,300mA,DO-35,T		QC02	0504-000123	TR-DIGITAL:KSR1010,NPN,300mW,10K,TO-92,T	
D908	0401-000005	DIODE-SWITCHING:1N4148,75V,300mA,DO-35,T		QU10	0501-000369	TR-SMALL SIGNAL:KSC2331-Y,NPN,1W,TO-92L,	
DU01	0402-000132	DIODE-RECTIFIER:1N4004,400V,1A,DO-41,TP		R101	2001-000221	R-CARBON:1.2Kohm,5%,1/8W,AA,TP,1.8x3.2m	
DZ201	0403-000300	DIODE-ZENER:MTZ8.2B,8.2V,7.78-8.19V,500m		R102	2001-000660	R-CARBON:33Kohm,5%,1/8W,AA,TP,1.8x3.2mm	
DZ202	0403-000551	DIODE-ZENER:MTZ3.9B,3.9V,3.89-4.16V,500m		R103	2001-000947	R-CARBON:7.5Kohm,5%,1/8W,AA,TP,1.8x3.2m	
DZ203	0403-000563	DIODE-ZENER:MTZ9.1B,9.1V,8.57-9.01V,500m		R104	2003-000502	R-METAL OXIDE(S):150ohm,5%,2W,AA,TP,4x12	
DZ204	2001-000812	R-CARBON:5.6Kohm,5%,1/8W,AA,TP,1.8x3.2m		R105	2003-000502	R-METAL OXIDE(S):150ohm,5%,2W,AA,TP,4x12	
DZ205	0403-000355	DIODE-ZENER:UZ5.1BSB,5.1V,4.97-5.18V,500m		R106	2003-000664	R-METAL OXIDE(S):33ohm,5%,2W,AF,TP,4x12m	
DZ206	0403-000551	DIODE-ZENER:MTZ3.9B,3.9V,3.89-4.16V,500m		R152	2001-000221	R-CARBON:1.2Kohm,5%,1/8W,AA,TP,1.8x3.2m	
DZ207	0403-000563	DIODE-ZENER:MTZ9.1B,9.1V,8.57-9.01V,500m		R153	2001-000734	R-CARBON:4.7Kohm,5%,1/8W,AA,TP,1.8x3.2m	
DZ208	0403-000563	DIODE-ZENER:MTZ9.1B,9.1V,8.57-9.01V,500m		R154	2001-000515	R-CARBON:220ohm,5%,1/8W,AA,TP,1.8x3.2mm	
DZ301	0403-000660	DIODE-ZENER:MTZ22A,22V,20.15-21.2V,500mW		R155	2001-000362	R-CARBON:150ohm,5%,1/8W,AA,TP,1.8x3.2mm	
DZ302	0403-001039	DIODE-ZENER:MA2560,56V,52-60V,1W,DO-41,T		R156	2001-000666	R-CARBON:33ohm,5%,1/8W,AA,TP,1.8x3.2mm	
DZ501	0403-000563	DIODE-ZENER:MTZ9.1B,9.1V,8.57-9.01V,500m		R157	2001-000793	R-CARBON:47ohm,5%,1/8W,AA,TP,1.8x3.2mm	
DZ502	0403-000563	DIODE-ZENER:MTZ9.1B,9.1V,8.57-9.01V,500m		R158	2001-000007	R-CARBON:3Kohm,5%,1/8W,AA,TP,1.8x3.2mm	
DZ503	0403-000563	DIODE-ZENER:MTZ9.1B,9.1V,8.57-9.01V,500m		R159	2001-000007	R-CARBON:3Kohm,5%,1/8W,AA,TP,1.8x3.2mm	
DZ504	0403-000563	DIODE-ZENER:MTZ9.1B,9.1V,8.57-9.01V,500m		R200	2001-000780	R-CARBON:470ohm,5%,1/8W,AA,TP,1.8x3.2mm	
DZ800	1405-000152	VARIATOR:560V,2500A,14x8.5mm,TP		R201	2001-000005	R-CARBON:390ohm,5%,1/8W,AA,TP,1.8x3.2mm	
△DZ801	1405-000152	VARIATOR:560V,2500A,14x8.5mm,TP		R202	2001-000281	R-CARBON:100ohm,5%,1/8W,AA,TP,1.8x3.2mm	
DZ802	0403-000300	DIODE-ZENER:MTZ8.2B,8.2V,7.78-8.19V,500m		R203	2001-000281	R-CARBON:100ohm,5%,1/8W,AA,TP,1.8x3.2mm	
DZ803	0403-000296	DIODE-ZENER:MTZ5.6B,5.6V,5.45-5.73V,500m		R207	2001-000008	R-CARBON:150ohm,5%,1/8W,AA,TP,1.8x3.2mm	
DZ806	0403-000294	DIODE-ZENER:MTZ4.7B,4.7V,4.55-4.80V,500m		R208	2001-000674	R-CARBON:360ohm,5%,1/8W,AA,TP,1.8x3.2mm	
DZ807	0403-000300	DIODE-ZENER:MTZ8.2B,8.2V,7.78-8.19V,500m		R209	2001-000016	R-CARBON(S):1ohm,5%,1/2W,AA,TP,2.4x6.4mm	
DZ901	0403-000296	DIODE-ZENER:MTZ5.6B,5.6V,5.45-5.73V,500m		R210	2001-000429	R-CARBON:1Kohm,5%,1/8W,AA,TP,1.8x3.2mm	
DZ902	0403-000296	DIODE-ZENER:MTZ5.6B,5.6V,5.45-5.73V,500m		R212	2001-000003	R-CARBON:330ohm,5%,1/8W,AA,TP,1.8x3.2mm	
DZ904	0403-000296	DIODE-ZENER:MTZ5.6B,5.6V,5.45-5.73V,500m		R213	2001-000003	R-CARBON:330ohm,5%,1/8W,AA,TP,1.8x3.2mm	
DZ905	0403-000297	DIODE-ZENER:MTZ6.2B,6.2V,5.96-6.27V,500m		R214	2001-000003	R-CARBON:330ohm,5%,1/8W,AA,TP,1.8x3.2mm	
F801	3601-001012	FUSE-FERRULE:250V,4A,SLOW-BLOW,GLASS,5.2		R215	2001-000273	R-CARBON:100Kohm,5%,1/8W,AA,TP,1.8x3.2m	
△F801A	3602-000114	FUSE-HOLDER:-,30mohm		R218	2001-000591	R-CARBON:3.3Kohm,5%,1/8W,AA,TP,1.8x3.2m	
F801B	3602-000114	FUSE-HOLDER:-,30mohm		R219	2001-000008	R-CARBON:15Kohm,5%,1/8W,AA,TP,1.8x3.2mm	
IC201	1204-001439	IC-VIDEO PROCESS:TDA8841,DIP,56P,-,PLAST		R224	2001-000563	R-CARBON:27Kohm,5%,1/8W,AA,TP,1.8x3.2mm	
IC301	1204-000441	IC-IF CIRCUIT:TDA8356,SIP,9P,-,PLASTIC,4		R225	2001-000515	R-CARBON:220ohm,5%,1/8W,AA,TP,1.8x3.2mm	
IC501	1201-001159	IC-VIDEO AMP:6107,ZIP,9P,300MIL,SINGLE,-		R226	2001-000281	R-CARBON:100ohm,5%,1/8W,AA,TP,1.8x3.2mm	
IC601	1201-001298	IC-POWER AMP:4425,SIP,5P,9.5MIL,MONO,45d		R227	2004-001234	R-METAL:75Kohm,5%,1/8W,AA,TP,1.8x3.2mm	
IC602	1201-001298	IC-POWER AMP:4425,SIP,5P,9.5MIL,MONO,45d		R230	2001-000890	R-CARBON:6.8Kohm,5%,1/8W,AA,TP,1.8x3.2m	
△IC801	1203-001494	IC-PWM CONTROLLER:3S0680RF,TO3PF-5L,5,21		R231	2001-000563	R-CARBON:27Kohm,5%,1/8W,AA,TP,1.8x3.2mm	
IC802	1203-001531	IC-POSIFIXED REG.:7630,SIP,10P,-,PLASTI		R232	2001-000356	R-CARBON:150Kohm,5%,1/8W,AA,TP,1.8x3.2m	
IC901	AA13-30020Y	IC-MCU:SAMSUNG,KS88P8324-OTP,8BIT,SDI		R234	2001-000281	R-CARBON:100ohm,5%,1/8W,AA,TP,1.8x3.2mm	
IC902	1103-001107	IC-EEPROM:24C020,2Kx1BIT,DIP,8P,300MIL,1		R235	2001-000633	R-CARBON:30Kohm,5%,1/8W,AA,TP,1.8x3.2mm	
JA701	3722-000162	JACK-PIN:2P3.4mm,SN,BLK,-		R236	2003-000634	R-METAL OXIDE(S):3.9Kohm,5%,1W,AA,TP,3.3	
L102	2701-000207	INDUCTOR-AXIAL:56uH,5%,2.5x3.4mm		R237	2001-000793	R-CARBON:47ohm,5%,1/8W,AA,TP,1.8x3.2mm	
L152	2701-000101	INDUCTOR-AXIAL:1.2uH,10%,2.5x3.4mm		R240	2001-000577	R-CARBON:2Kohm,5%,1/8W,AA,TP,1.8x3.2mm	
L201	2701-000114	INDUCTOR-AXIAL:10uH,10%,2.5x3.4mm		R243	2001-000343	R-CARBON:130ohm,5%,1/8W,AA,TP,1.8x3.2mm	
L206	2701-000114	INDUCTOR-AXIAL:10uH,10%,2.5x3.4mm		R244	2001-000780	R-CARBON:470ohm,5%,1/8W,AA,TP,1.8x3.2mm	
L301	2701-000115	INDUCTOR-AXIAL:10uH,10%,2.8x7mm		R245	2001-000832	R-CARBON:510ohm,5%,1/8W,AA,TP,1.8x3.2mm	
L302	2701-000114	INDUCTOR-AXIAL:10uH,10%,2.5x3.4mm		R246	2001-000613	R-CARBON:3.9Kohm,5%,1/8W,AA,TP,1.8x3.2m	
L303	2701-000114	INDUCTOR-AXIAL:10uH,10%,2.5x3.4mm		R247	2001-000290	R-CARBON:10Kohm,5%,1/8W,AA,TP,1.8x3.2mm	
L304	2701-000159	INDUCTOR-AXIAL:22uH,10%,4.2x9.8mm		R252	2004-001914	R-METAL:39Kohm,2%,1/8W,AA,TP,1.8x3.5mm	
L305	2701-000116	INDUCTOR-AXIAL:10uH,10%,4.2x9.8mm		R258	2001-000449	R-CARBON:2.2Kohm,5%,1/8W,AA,TP,1.8x3.2m	
L401	AA27-30001B	COIL-LINEARITY:-,195uH,QIC1010,PIO,4,4.5		R262	2001-000429	R-CARBON:1Kohm,5%,1/8W,AA,TP,1.8x3.2mm	
△L402	2701-001032	INDUCTOR-AXIAL:100uH,10%,5x14mm		R301	2004-000869	R-METAL:3Kohm,1%,1/8W,AA,TP,1.8x3.2mm	
L601	2701-000158	INDUCTOR-AXIAL:22uH,10%,2.5x3.4mm		R302	2008-001033	R-FUSIBLE(S):10ohm,5%,2W,AF,TP,3.9x10mm	
△L801	AA29-30001D	FILTER-LINE:-,6.0mH,2A,-,SQ1913		R303	2001-000085	R-CARBON(S):100Kohm,5%,1/2W,AA,TP,2.4x6.	
L802	3301-000287	CORE-FERRITE BEAD:AA,3.5x1x6mm,1500,2400		R305	2004-004087	R-METAL(S):1.5ohm,1%,1/2W,AA,TP,2.5x6.5m	
L803	2901-000299	FILTER-EMI ON BOARD:-,6A,UL/CSA,-,9x7.5,		R306	2008-000254	R-FUSIBLE(S):0.68ohm,5%,2W,AF,TP,3.9x10m	

Electric Parts List

Loc. No.	Code No.	Description ; Specification	Remark	Loc. No.	Code No.	Description ; Specification	Remark	
R307	2003-000652	R-METAL OXIDE(S):330ohm,5%,2W,AF,TP,4x12		R926	2001-000449	R-CARBON:2.2Kohm,5%,1/8W,AA,TP,1.8x3.2m		
R403	2001-001114	R-CARBON(S):270ohm,5%,1/2W,AA,TP,2.4x6.4		R927	2001-000290	R-CARBON:10Kohm,5%,1/8W,AA,TP,1.8x3.2mm		
R404	2001-001136	R-CARBON(S):36ohm,5%,1/2W,AA,TP,2.4x6.4m		R928	2001-000864	R-CARBON:56Kohm,5%,1/8W,AA,TP,1.8x3.2mm		
R405	2003-000784	R-METAL OXIDE(S):7.5Kohm,5%,2W,AF,TP,4x1		R929	2001-000331	R-CARBON:12Kohm,5%,1/8W,AA,TP,1.8x3.2mm		
R406	2003-000455	R-METAL OXIDE(S):100ohm,5%,2W,AA,TP,4x12		R930	2001-000290	R-CARBON:10Kohm,5%,1/8W,AA,TP,1.8x3.2mm		
R407	2003-000994	R-METAL OXIDE(S):33Kohm,5%,2W,AF,TP,3.9x		R931	2001-000429	R-CARBON:1Kohm,5%,1/8W,AA,TP,1.8x3.2mm		
R408	2004-001390	R-METAL(S):1Kohm,2%,1/2W,AA,TP,2.4x6.4mm		R937	2001-000734	R-CARBON:4.7Kohm,5%,1/8W,AA,TP,1.8x3.2m		
R409	2008-000206	R-FUSIBLE(S):1ohm,5%,1/2W,AF,TP,2.5x6.5m		R940	2001-000591	R-CARBON:3.3Kohm,5%,1/8W,AA,TP,1.8x3.2m		
R410	2008-000204	R-FUSIBLE(S):0.22ohm,10%,1/2W,AF,TP,2.5x		R941	2001-000723	R-CARBON:4.3Kohm,5%,1/8W,AA,TP,1.8x3.2m		
R413	2001-001037	R-CARBON(S):0.39ohm,5%,1/2W,AA,TP,2.4x6.4		R942	2001-000723	R-CARBON:4.3Kohm,5%,1/8W,AA,TP,1.8x3.2m		
R415	2003-000540	R-METAL OXIDE(S):1Kohm,5%,2W,AF,TP,4x12m		R951	2001-000723	R-CARBON:4.3Kohm,5%,1/8W,AA,TP,1.8x3.2m		
R416	2001-000022	R-CARBON(S):33ohm,5%,1/2W,AA,TP,2.4x6.4m		R988	2001-000397	R-CARBON:180Kohm,5%,1/8W,AA,TP,1.8x3.2m		
R417	2001-001037	R-CARBON(S):100ohm,5%,1/2W,AA,TP,2.4x6.4		RC01	2001-000290	R-CARBON:10Kohm,5%,1/8W,AA,TP,1.8x3.2mm		
R418	2008-000277	R-FUSIBLE:68ohm,5%,1/2W,AA,TP,4.7x11mm		RC02	2001-000290	R-CARBON:10Kohm,5%,1/8W,AA,TP,1.8x3.2mm		
R419	2008-000264	R-FUSIBLE(S):1ohm,5%,1W,AF,TP,3.9x10mm		RJ05	2002-001010	R-COMPOSITION:1.8Mohm,10%,1/2W,AA,TP,3.7		
R420	2004-001377	R-METAL(S):120Kohm,1%,1/2W,AA,TP,2.4x6.4		RLU01	3501-001040	RELAY-POWER:12VDC,500mV,10A,1FormA,15mS,		
R501H	2002-001008	R-COMPOSITION:1.8Kohm,5%,1/2W,AA,TP,3.7x		RM901	AA59-60001U	MODULE-REMOCON:-,ORC-50VF/SR-12V,38KHz,9		
R502H	2002-001008	R-COMPOSITION:1.8Kohm,5%,1/2W,AA,TP,3.7x		RU11	2001-000290	R-CARBON:10Kohm,5%,1/8W,AA,TP,1.8x3.2mm		
R503	2002-001008	R-COMPOSITION:1.8Kohm,5%,1/2W,AA,TP,3.7x		RU12	2001-000734	R-CARBON:4.7Kohm,5%,1/8W,AA,TP,1.8x3.2m		
R504	2001-001062	R-CARBON(S):10Mohm,5%,1/2W,AA,TP,2.4x6.4		RU13	2001-000022	R-CARBON(S):33ohm,5%,1/2W,AA,TP,2.4x6.4m		
R505	2008-000264	R-FUSIBLE(S):1ohm,5%,1W,AF,TP,3.9x10mm		SF101	2904-000286	FILTER-SAW AV-45.75MHz,SIP5PST,11.7dB,N		
R510	2001-000281	R-CARBON:100ohm,5%,1/8W,AA,TP,1.8x3.2mm		SW901	3404-000244	SWITCH-TACT:15V,20mA,90-170gf,7.5x7mm,SP		
R511	2001-000281	R-CARBON:100ohm,5%,1/8W,AA,TP,1.8x3.2mm		SW902	3404-000244	SWITCH-TACT:15V,20mA,90-170gf,7.5x7mm,SP		
R512	2001-000281	R-CARBON:100ohm,5%,1/8W,AA,TP,1.8x3.2mm		SW903	3404-000244	SWITCH-TACT:15V,20mA,90-170gf,7.5x7mm,SP		
R602	2001-000786	R-CARBON:47Kohm,5%,1/8W,AA,TP,1.8x3.2mm		SW904	3404-000244	SWITCH-TACT:15V,20mA,90-170gf,7.5x7mm,SP		
R603	2001-000864	R-CARBON:56Kohm,5%,1/8W,AA,TP,1.8x3.2mm		SW905	3404-000244	SWITCH-TACT:15V,20mA,90-170gf,7.5x7mm,SP		
R604	2001-000577	R-CARBON:2Kohm,5%,1/8W,AA,TP,1.8x3.2mm		SW906	3404-000295	SWITCH-TACT:12VDC,50mA,160gf,8.4x22.7,SP		
R605	2001-000290	R-CARBON:10Kohm,5%,1/8W,AA,TP,1.8x3.2mm		T401	AA26-50001B	HORIZ.DRIVE:-,7.1MH,102UH,10-20UH,YL081,		
R614	2001-001152	R-CARBON(S):47Kohm,5%,1/2W,AA,TP,2.4x6.4		T444	AA26-30001Y	TRANS-FLYBACK:-,FSV-20A001,20,125V		
R615	2001-001088	R-CARBON(S):1Kohm,5%,1/2W,AA,TP,2.4x6.4m		T801	AA26-20006U	TRANS-SWITCHING:-,90-260V,125V/12.5V,EN,		
R701	2001-001187	R-CARBON(S):75ohm,5%,1/2W,AA,TP,2.4x6.4m		TU01	AA40-10005T	TUNER-F/S:TECC1070PG26A(S),NTSC/USA,TR,1		
R702	2001-000085	R-CARBON(S):100Kohm,5%,1/2W,AA,TP,2.4x6.4		V999	3704-001090	SOCKET-CRT:9P,15.24PI,26.5PI,SN,-		
R703	2001-000515	R-CARBON:220ohm,5%,1/8W,AA,TP,1.8x3.2mm		X203	2801-003298	CRYSTAL-UNIT:3.579545MHz,30ppm,28-AAM,20		
R801	2001-001150	R-CARBON(S):470Kohm,5%,1/2W,AA,TP,2.4x6.4		X901	2801-000724	CRYSTAL-UNIT:6MHz,50ppm,28-AAM,20pf,40oh		
R802	2003-000994	R-METAL OXIDE(S):33Kohm,5%,2W,AF,TP,3.9x		XC01	2801-003300	CRYSTAL-UNIT:3.575611MHz,30ppm,28-AAM,20		
R803	2003-000994	R-METAL OXIDE(S):33Kohm,5%,2W,AF,TP,3.9x		XC02	2801-003299	CRYSTAL-UNIT:3.582056MHz,30ppm,28-AAM,20		
R805	2002-001012	R-COMPOSITION:8.2Mohm,10%,1/2W,AA,TP,3.7		Z201	2903-001022	FILTER-CERAMIC:TR,4.5MHz,-,0.5dB,-,TP-		
R806	2001-001071	R-CARBON(S):12Kohm,5%,1/2W,AA,TP,2.4x6.4		Z601	2903-000135	FILTER-CERAMIC:BP,4.5MHz,+,-60KHz,6dB,-,T		
R807	2001-001071	R-CARBON(S):12Kohm,5%,1/2W,AA,TP,2.4x6.4						
R808	2001-001150	R-CARBON(S):470Kohm,5%,1/2W,AA,TP,2.4x6.4						
R809	2008-000205	R-FUSIBLE(S):10ohm,5%,1/2W,AF,TP,2.5x6.5						
R810	2001-001170	R-CARBON(S):6.8ohm,5%,1/2W,AA,TP,2.4x6.4						
R812	2008-000264	R-FUSIBLE(S):1ohm,5%,1W,AF,TP,3.9x10mm						
R816	2001-001125	R-CARBON(S):300Kohm,5%,1/2W,AA,TP,2.4x6.4						
R817	2001-001125	R-CARBON(S):300Kohm,5%,1/2W,AA,TP,2.4x6.4						
R818	2001-001125	R-CARBON(S):300Kohm,5%,1/2W,AA,TP,2.4x6.4						
R819	2008-001011	R-FUSIBLE(S):0.18ohm,10%,2W,AF,TP,3.9x10						
R821	2004-004089	R-METAL:123Kohm,1%,1/2W,AA,TP,2.5x6.5m						
R822	2001-000022	R-CARBON(S):33ohm,5%,1/2W,AA,TP,2.4x6.4m						
R823	2001-001178	R-CARBON(S):680ohm,5%,1/2W,AA,TP,2.4x6.4						
R824	2001-001125	R-CARBON(S):300Kohm,5%,1/2W,AA,TP,2.4x6.4						
R852	2001-001088	R-CARBON(S):1Kohm,5%,1/2W,AA,TP,2.4x6.4m						
R853	2001-001054	R-CARBON(S):1.6Kohm,5%,1/2W,AA,TP,2.4x6.4						
R854	2004-001983	R-METAL:2.49Kohm,1%,1/2W,AA,TP,2.4x6.4						
R901	2001-000793	R-CARBON:47ohm,5%,1/8W,AA,TP,1.8x3.2mm						
R902	2001-000429	R-CARBON:1Kohm,5%,1/8W,AA,TP,1.8x3.2mm						
R903	2001-000281	R-CARBON:100ohm,5%,1/8W,AA,TP,1.8x3.2mm						
R904	2001-000281	R-CARBON:100ohm,5%,1/8W,AA,TP,1.8x3.2mm						
R905	2001-000241	R-CARBON:1.5Kohm,5%,1/8W,AA,TP,1.8x3.2m						
R906	2004-000187	R-METAL:10.5Kohm,1%,1/4W,AA,TP,2.4x6.4						
R907	2001-000007	R-CARBON:3Kohm,5%,1/8W,AA,TP,1.8x3.2mm						
R908	2001-000006	R-CARBON:2.4Kohm,5%,1/8W,AA,TP,1.8x3.2m						
R909	2001-000613	R-CARBON:3.9Kohm,5%,1/8W,AA,TP,1.8x3.2m						
R910	2004-001126	R-METAL:6.2Kohm,1%,1/8W,AA,TP,1.8x3.2m						
R911	2001-000290	R-CARBON:10Kohm,5%,1/8W,AA,TP,1.8x3.2mm						
R913	2001-000924	R-CARBON:680ohm,5%,1/8W,AA,TP,1.8x3.2mm						
R914	2001-000429	R-CARBON:1Kohm,5%,1/8W,AA,TP,1.8x3.2mm						
R915	2001-000577	R-CARBON:2Kohm,5%,1/8W,AA,TP,1.8x3.2mm						
R916	2001-000281	R-CARBON:100ohm,5%,1/8W,AA,TP,1.8x3.2mm						
R917	2001-000281	R-CARBON:100ohm,5%,1/8W,AA,TP,1.8x3.2mm						
R918	2001-000281	R-CARBON:100ohm,5%,1/8W,AA,TP,1.8x3.2mm						
R919	2001-000281	R-CARBON:100ohm,5%,1/8W,AA,TP,1.8x3.2mm						
R921	2001-000429	R-CARBON:1Kohm,5%,1/8W,AA,TP,1.8x3.2mm						
R922	2001-000281	R-CARBON:100ohm,5%,1/8W,AA,TP,1.8x3.2mm						
R923	2001-000281	R-CARBON:100ohm,5%,1/8W,AA,TP,1.8x3.2mm						
R924	2001-000449	R-CARBON:2.2Kohm,5%,1/8W,AA,TP,1.8x3.2m						
R925	2001-000449	R-CARBON:2.2Kohm,5%,1/8W,AA,TP,1.8x3.2m						
				△	T444	AA26-30001Y	TRANS-FLYBACK:-,FSV-20A001,20,125V	
				△	T801	AA26-20006U	TRANS-SWITCHING:-,90-260V,125V/12.5V,EN,	
				△	TU01	AA40-10005T	TUNER-F/S:TECC1070PG26A(S),NTSC/USA,TR,1	
				△	V999	3704-001090	SOCKET-CRT:9P,15.24PI,26.5PI,SN,-	
					X203	2801-003298	CRYSTAL-UNIT:3.579545MHz,30ppm,28-AAM,20	
					X901	2801-000724	CRYSTAL-UNIT:6MHz,50ppm,28-AAM,20pf,40oh	
					XC01	2801-003300	CRYSTAL-UNIT:3.575611MHz,30ppm,28-AAM,20	
					XC02	2801-003299	CRYSTAL-UNIT:3.582056MHz,30ppm,28-AAM,20	
					Z201	2903-001022	FILTER-CERAMIC:TR,4.5MHz,-,0.5dB,-,TP-	
					Z601	2903-000135	FILTER-CERAMIC:BP,4.5MHz,+,-60KHz,6dB,-,T	
				ASSY-ACCESSORY				
					AA42-10001V	ANT-ROD:-,3S,620mm,BRN,UL/CSA		
					AA68-30004A	MANUAL-BOOK:-,W/P120(G)-,SEPA,-,-		
					AA68-11321A	MANUAL-USERS:K15B,POR,TM59,205X150,W/P 1		
					AA68-11320A	MANUAL-USERS:K15B,SPA,TM59,205X150,W/P 1		
					3721-000136	PLUG-CONVERSION:2P,4.0mm,N,NI		
					AA26-90001F	TRANS-MATCHING:-,300ohm/75ohm,NTSC,40-8P		
				ASSY-CRT				
				*	AA94-50020M	MASSY-CRT:A48KRDB2X(HB),OMG,20,BARE,CT5		
				△	AA03-10030L	CRT-COLOR:-,A48KRDB2X(HB),OmG,20,90deg,		
					AA27-50004W	DEFLECTION-YOKE:-,DSE-1992L(1H),20/A48		
					AA27-60001D	MAGNET-CONVERGENCE:-,JH-291-(JH-8210),29		
					AA63-60028A	SPACER-DY:NEOPRENE,-,BLK,VO W12,-,-		
				ASSY-PCB,A/V FRONT				
				*	AA95-90030M	MASSY-PCB,A/V FRONT:-,CT-2139H,KCT15A,NTS		
					JA703	3722-000506	JACK-RCA:2P,3.6MM,-,AG	
					CN704*	AA39-20070E	LEAD-CONNECTOR,ASSY:-,YBNH025-07,67096-0	
					01LOT	AA41-10350B	PCB-A/V:K1,1,FR-1.51x23x1.6T,-,-	
				ASSY-POWER,CORD				
					AA39-10006X	POWER-CORD:-,KKP419C,KLCE-2F,2.286MT,3P,		
					AA61-20284A	HOLDER:-,P-CORD,PP,VO,BLK,KE-002		
				REMOCON				
				*	AA59-10107F	REMOCON:-,TM59,SS,SSM174PT,27,-,-,L/GR		

Loc. No.	Code No.	Description ; Specification	Remark	Loc. No.	Code No.	Description ; Specification	Remark
ASSY-CABINET							
*	AA91-10350E	ASSY-C/FRONT;-CN501EBZ,(SPK)BK708P PGHB	SEPA				
*	AA91-10350F	ASSY-C/FRONT;-CN501EBZ,(SPK) BK708P SGHB,H DISMAC					
	AA64-70010D	BADGE-BRAND:AL,SS R2000 25,GOLD,L50,-,-,					
	AA64-30979B	CABINET-BACK;-501E,-,HIPS,HB,BLK,-,-					
	AA64-31295H	CABINET-FRONT;-CN501EBZ,BK708P PGHB,HIP	SEPA				
	AA64-31295J	CABINET-FRONT;-CN501EBZ,BK708P SGHB,HIPS	DISMAC				
	AA65-30008A	CLAMP-CORD:PE,HB,BLK,-,-,-					
	AA65-30107A	CLAMP-D,COIL:NYLON 66,V2,NTR,-,20-22 INC					
	AA65-30105A	CLAMP-WIRE:NYLON 66,V2,NTR,15MM,ALL MODE					
	AA63-50310A	GRILLE-WOOFER,L;-501E,PA110 3R,SECC,TO					
	AA63-50305A	GRILLE-WOOFER,R;-501E,PA110 3R,SECC,TO					
	AA64-40408A	INDICATOR-LED;-501E,-,ACRYL,HB,CLR,-					
	AA64-60161Q	INLAY-AV:V-MODEL,NTSC TVI EG,PS,TO,3,BL					
	AA64-10637A	KNOB-CONTROL;-501E,-,ABS,HB,BLK					
	AA64-10635A	KNOB-POWER,T;-501E,TACT,ABS,HB,BLK					
CRT+CF	AA60-10050R	SCREW-ASSY:WC,HH,+ ,M5,L31.5,SWRCH18A,ZPC					
CB+CF	6002-000514	SCREW-TAPPING:RH,+ ,2,M4,L15,ZPC(BLK),SWR					
CB+RCA	6002-000514	SCREW-TAPPING:RH,+ ,2,M4,L15,ZPC(BLK),SWR					
KC+CF	6002-000514	SCREW-TAPPING:RH,+ ,2,M4,L15,ZPC(BLK),SWR					
SPK+CF	6002-000514	SCREW-TAPPING:RH,+ ,2,M4,L15,ZPC(BLK),SWR					
WIN+CF	6002-000514	SCREW-TAPPING:RH,+ ,2,M4,L15,ZPC(BLK),SWR					
PA+CF	AA60-10002A	SCREW-TAPPING:RH,+ ,M4,L12,ZPC(YEL),-OD1					
KNOPOW	AA61-60003J	SPRING-CS;-SUS304,0.5,OD6,H12,N7,-,-,-					
	AA61-40053A	STOPPER-PCB:ALL MODEL,HIPS HB,WHT,HB,-,-					
	AA64-40407A	WINDOW-REMOCON;-501E,-,PC,-,-,VIOLET					

ASSY-SPEAKER

*	AA96-10143A	ASSY-SPEAKER;-8ohm,6W,001034,20505M,R70	
	3001-001034	SPEAKER:6W,8ohm,90dB,140Hz	
	AA39-20505M	LEAD CONNECTOR-ASSY;-YSH025-04,REC,4P,3	

7-4 CN3339BZX/XAP (CN5039BZX/XAP AND CN3339BZX/XAP Dissimilar Parts)

Loc. No.	Code No.	Description ; Specification	Remark	Loc. No.	Code No.	Description ; Specification	Remark
ASSY-PCB,MAIN				ASSY-CABINET			
*	AA94-10151M	ASSY-PCB,MAIN(OPT):CN3339BZX/XAP,K15B,BRAZIL,-		*	AA91-10299W	ASSY-CABINET,FRONT;-CN-3339BZ,BK-708P PGB TVI,HB	
C402	2301-001219	C-FILM,MPE-PPF:3.9nF,5%,1.6KV,TP,29x8.5x15,20			AA64-70009D	BADGE-BRAND:AL,SS R2000 22,GOLD,L40,-,-,-	
C404	2306-000179	C-FILM,MPPF:300nF,5%,250V,TP,20x18.5x10.5,			AA64-30391A	CABINET-BACK;-3339,-,HIPS,HB,BLK,-,-	
C413	2401-002268	C-AL:2.2uF,20%,250V,LZ,TP,8X11,5			AA64-31141T	CABINET-FRONT;-CN-3339BZ,BK-708P PGB TVI,HI	
CN501	AA39-20109A	LEAD-CONNECTOR,ASSY;-YBNH025-08,S,8P,400,1007#26			AA65-30106A	CLAMP-D,COIL:NYLON 66,V2,NTR,-,14 INCH,-	
△ CN802	AA27-20003U	COIL-DEGAUSSING;-14,16.4ohm,75T,890mm,D			AA63-50103B	GRILLE-WOOFER;-3339,PA110 P10.8,SECC,TO,5,-	
L401	AA27-30003R	COIL-LINERITY;-220uH,YL10x10,0.35mm,23x13mm			AA64-40168A	INDICATOR-LED;-3339,-,ACRYL,-,-,-	
NT0586	AA68-50067A	LABEL-RATING:T/P 90(G),TO,2,-,-,-,-,ALL			AA64-10609A	KNOB-CONTROL;-33.3839,-,ABS,HB,BLK	
R301	2004-000500	R-METAL:2.7Kohm,1%,1/8W,AA,TP,1.8x3.2mm			AA64-10147B	KNOB-POWER,T;-3339,SILK,ABS,HB,BLK	
R302	2003-002010	R-METAL OXIDE(S):680ohm,5%,1W,AF,TP,3.9x10mm		KC+CF	6002-000512	SCREW-TAPPING:RH,+ ,2,M4,L12,ZPC(BLK),SWRCH18	
R404	2001-001410	R-CARBON(S):43ohm,5%,1/2W,AA,TP,2.4x6.4mm		KNPOTA	AA61-60003J	SPRING-CS;-SUS304,0.5,OD6,H12,N7,-,-,-	
R501M	2002-001008	R-COMPOSITION:1.8Kohm,5%,1/2W,AA,TP,3.7x9mm			AA61-40007A	STOPPER-PCB:5038.5368,ABS HB,NTR,-,-,-	
R502M	2002-001008	R-COMPOSITION:1.8Kohm,5%,1/2W,AA,TP,3.7x9mm			AA64-40056A	WINDOW-REMOCON;-3339,-,PC,-,VIOLET,-	
R505	2008-001015	R-FUSIBLE(S):1.5ohm,5%,2W,AF,TP,3.9x10mm		ASSY-SPEAKER			
△ T444	AA26-30005S	TRANS-FLYBACK;-FSV-14A004(S),14,125V		*	AA96-10136A	ASSY-SPEAKER;-8ohm,3W,000191,AA3920505N,L3	
V999	3704-001089	SOCKET-CRT:7P,22.5PI,12PI,SN,-			AA39-20505N	LEAD CONNECTOR-ASSY;-YSH025-04,REC,4P,350,550mm,	
ASSY-CRT							
*	AA94-50013W	ASSY-CRT:A34KQV42X(B),0mG,14,BARE,CN33					
△	AA03-10003J	CRT-COLOR;-A34KQV42X(B),0MG,14,90DEG,5					
	AA27-50004X	DEFLECTION-YOKE;-DSE-1422FL(G),14/A34KQV42X,					
	AA27-60001L	MAGNET-CONVERGENCE;-NY-225,22.5mm					

7-5 CN5039BZX/XAP

Loc. No.	Code No.	Description ; Specification	Remark	Loc. No.	Code No.	Description ; Specification	Remark
ASSY-PCB,MAIN							
	AA94-10151N	NASSY-PCB,MAIN(OPT);CN5039BZX/XAP;K15B,BR					
C102	2401-000962	C-AL:22uF,20%,50V,GP,TP,5x11,5		C602	2202-000279	C-CERAMIC,MLC-AXIAL:47pF,5%,50V,SL,TP,3.	
C104	2202-000127	C-CERAMIC,MLC-AXIAL:10nF,+80-20%,25V,Y5V		C603	2301-000314	C-FILM,PEF:8.2nF,5%,50V,TP,6.5x3.0x5.5mm	
C108	2401-000480	C-AL:10uF,20%,50V,GP,TP,5x11,5		C604	2401-000660	C-AL:2.2uF,20%,50V,GP,TP,5x11,5	
C110	2401-002594	C-AL:220uF,20%,16V,GP,TP,8x11.5,5		C605	2306-000122	C-FILM,MPPF:100nF,5%,50V,TP,7.3x4.0x5.0m	
C151	2202-000127	C-CERAMIC,MLC-AXIAL:10nF,+80-20%,25V,Y5V		C606	2202-000279	C-CERAMIC,MLC-AXIAL:47pF,5%,50V,SL,TP,3.	
C153	2202-000127	C-CERAMIC,MLC-AXIAL:10nF,+80-20%,25V,Y5V		C609	2401-000133	C-AL:1000uF,20%,16V,GP,TP,10x20,5	
C201	2306-000122	C-FILM,MPPF:100nF,5%,50V,TP,7.3x4.0x5.0m		C651	2401-000660	C-AL:2.2uF,20%,50V,GP,TP,5x11,5	
C202	2401-001840	C-AL:100uF,20%,16V,GP,TP,6.3x11,5		C652	2401-000660	C-AL:2.2uF,20%,50V,GP,TP,5x11,5	
C203	2401-000660	C-AL:2.2uF,20%,50V,GP,TP,5x11,5		C654	2401-001363	C-AL:470uF,20%,16V,GP,TP,10x12.5,5	
C204	2401-001333	C-AL:470nF,20%,50V,GP,TP,5x11,5		C655	2401-001363	C-AL:470uF,20%,16V,GP,TP,10x12.5,5	
C205	2305-000411	C-FILM,MPEF:470nF,5%,50V,TP,7.3x4.8x5.5m		C702	2401-000471	C-AL:10uF,20%,50V,GP,TP,5x11,5mm	
C206	2305-000411	C-FILM,MPEF:470nF,5%,50V,TP,7.3x4.8x5.5m		C703	2202-000796	C-CERAMIC,MLC-AXIAL:1nF,10%,50V,Y5P,TP,3	
C207	2305-000196	C-FILM,MPEF:150nF,5%,63V,TP,-.5mm		C801	2401-002219	C-AL:220uF,20%,400V,GP,ST,25x40,10	
C208	2401-000027	C-AL:4.7uF,20%,50V,GP,TP,5x11,5		C802	2201-000119	C-CERAMIC,DISC:100nF,+80-20%,50V,Y5V,TP,	
C209	2202-000849	C-CERAMIC,MLC-AXIAL:18pF,5%,50V,CH,TP,3.		C803	2303-000163	C-FILM,PPF:2.2nF,5%,800V,TP,15x13x8.5,7.	
C210	2301-000445	C-FILM,PEF:4.7nF,5%,50V,TP,5.5x7x3mm,5mm		C804	2201-000987	C-CERAMIC,DISC:2.2nF,20%,400V,Y5U,TP,15x	
C211	2305-000665	C-FILM,MPEF:100nF,5%,63V,TP,7.5x4.0x5.0m		C805	2201-000991	C-CERAMIC,DISC:560pF,10%,2KV,Y5P,TP,13x7	
C212	2301-000192	C-FILM,PEF:1nF,5%,50V,TP,5.3x10mm,5mm		C806	2401-000262	C-AL:100uF,20%,16V,HR,TP,16x25,7.5	
C213	2201-000258	C-CERAMIC,DISC:17pF,5%,50V,CH,TP,5x3,5		C807	2201-000599	C-CERAMIC,DISC:560pF,10%,500V,Y5P,TP,7x4	
C214	2301-000356	C-FILM,PEF:47nF,5%,50V,TP,7.5x4.0x6.5,5m		C808	2301-000016	C-FILM,PEF:22nF,5%,100V,TP,7.2x4.5x9.0mm	
C215	2301-000383	C-FILM,PEF:10nF,5%,50V,TP,6x7x3.2mm,5mm		C809	2401-001998	C-AL:1000uF,20%,25V,GP,TP,10x20,5mm	
C216	2305-000289	C-FILM,MPEF:220nF,5%,63V,TP,-.5mm		C810	2306-000122	C-FILM,MPPF:100nF,5%,50V,TP,7.3x4.0x5.0m	
C218	2202-000791	C-CERAMIC,MLC-AXIAL:150pF,10%,50V,Y5P,TP		C812	2401-001840	C-AL:100uF,20%,16V,GP,TP,6.3x11,5	
C219	2401-000603	C-AL:1uF,20%,50V,GP,TP,5x11,5		C813	2401-002144	C-AL:47uF,20%,16V,GP,TP,5x11,5	
C222	2401-000480	C-AL:10uF,20%,50V,GP,TP,5x11,5		△ C814	2306-000318	C-FILM,MPPF:220nF,20%,275V,TP,-.22,5mm	
C226	2301-000224	C-FILM,PEF:22nF,5%,50V,TP,7.4x3.9x13mm		C816	2401-000480	C-AL:10uF,20%,50V,GP,TP,5x11,5	
C231	2401-000480	C-AL:10uF,20%,50V,GP,TP,5x11,5		C817	2401-001840	C-AL:100uF,20%,16V,GP,TP,6.3x11,5	
C232	2401-001840	C-AL:100uF,20%,16V,GP,TP,6.3x11,5		△ C819	2201-000963	C-CERAMIC,DISC:1nF,20%,400V,Y5U,TP,11x8mm	
C238	2401-002144	C-AL:47uF,20%,16V,GP,TP,5x11,5		C820	2401-001998	C-AL:1000uF,20%,25V,GP,TP,10x20,5mm	
C239	2305-000289	C-FILM,MPEF:220nF,5%,63V,TP,-.5mm		C821	2401-001486	C-AL:47uF,20%,16V,HR,TP,13x20mm,5m	
C240	2305-000665	C-FILM,MPEF:100nF,5%,63V,TP,7.5x4.0x5.0m		C822	2301-000192	C-FILM,PEF:1nF,5%,50V,TP,5.3x10mm,5mm	
C247	2202-002037	C-CERAMIC,MLC-AXIAL:100nF,80-20%,50V,Y5V		C823	2201-000370	C-CERAMIC,DISC:220pF,10%,50V,Y5P,TP,4.0X	
C248	2309-000138	C-FILM,PE-PPF:100nF,5%,50V,TP,20x16x8.5,		C851	2401-001571	C-AL:47uF,+20%-0%,50V,GP,TP,8x11,5,	
C249	2401-000603	C-AL:1uF,20%,50V,GP,TP,5x11,5		C852	2301-000310	C-FILM,PEF:68nF,5%,50V,TP,8.0X8.5X4.0X	
C250	2301-000224	C-FILM,PEF:22nF,5%,50V,TP,7.4x3.9x13mm		C901	2401-002144	C-AL:47uF,20%,16V,GP,TP,5x11,5	
C251	2301-000445	C-FILM,PEF:4.7nF,5%,50V,TP,5.5x7x3mm,5mm		C902	2202-000796	C-CERAMIC,MLC-AXIAL:1nF,10%,50V,Y5P,TP,3	
C252	2301-000192	C-FILM,PEF:1nF,5%,50V,TP,5.3x10mm,5mm		C903	2401-000480	C-AL:10uF,20%,50V,GP,TP,5x11,5	
C253	2306-000122	C-FILM,MPPF:100nF,5%,50V,TP,7.3x4.0x5.0m		C904	2202-000796	C-CERAMIC,MLC-AXIAL:1nF,10%,50V,Y5P,TP,3	
C301	2202-000183	C-CERAMIC,MLC-AXIAL:2.2nF,20%,16V,Y5R,TP		C906	2201-000662	C-CERAMIC,DISC:7pF,0.3pF,50V,CH,TP,5x3,5	
C302	2202-000183	C-CERAMIC,MLC-AXIAL:2.2nF,20%,16V,Y5R,TP		C907	2201-000662	C-CERAMIC,DISC:7pF,0.3pF,50V,CH,TP,5x3,5	
C303	2401-003028	C-AL:100uF,20%,25V,WT,TP,6.3x11,5		C908	2201-000257	C-CERAMIC,DISC:16pF,5%,50V,CH,TP,5x3,5	
C304	2401-000901	C-AL:22uF,20%,160V,GP,TP,10x20,5		C909	2201-000257	C-CERAMIC,DISC:16pF,5%,50V,CH,TP,5x3,5	
C307	2305-000708	C-FILM,MPEF:150nF,5%,100V,TP,16.5x10.3x5		C911	2401-002144	C-AL:47uF,20%,16V,GP,TP,5x11,5	
C308	2305-000470	C-FILM,MPEF:68nF,5%,100V,TP,-.5mm		C912	2301-000246	C-FILM,PEF:33nF,5%,100V,TP,7x5.0x9.5mm,5	
C309	2305-000149	C-FILM,MPEF:100nF,5%,100V,TP,12x12.5x6.5		C913	2202-000796	C-CERAMIC,MLC-AXIAL:1nF,10%,50V,Y5P,TP,3	
C310	2305-000285	C-FILM,MPEF:220nF,5%,100V,TP,20x18x11.5,		C914A	2401-000947	C-AL:22uF,20%,35V,GP,TP,5x11,5	
C401	2201-000600	C-CERAMIC,DISC:560pF,10%,50V,Y5P,TP,5x3,		C915	2202-000127	C-CERAMIC,MLC-AXIAL:10nF,+80-20%,25V,Y5V	
C402	2306-000327	C-FILM,MPPF:6.3nF,3%,1.6KV,TP,28.5x18x10		C917	2202-000807	C-CERAMIC,MLC-AXIAL:22nF,+80-20%,25V,Y5V	
△ C403	2201-000639	C-CERAMIC,DISC:680pF,10%,2KV,Y5P,TP,11x6		CC01	2201-000247	C-CERAMIC,DISC:15pF,5%,50V,CH,TP,5x3,5	
C404	2306-000004	C-FILM,MPPF:330nF,5%,250V,TP,20x18.5x10,		CC02	2201-000258	C-CERAMIC,DISC:17pF,5%,50V,CH,TP,5x3,5	
C405	2301-001065	C-FILM,MPPF:47nF,5%,630V,TP,19x15.5x7,7,		CLAMP/F	AA65-30109A	CLAMP-FBT:NYLON-66,V2,BLK,-,-,-	
C406	2201-000556	C-CERAMIC,DISC:470pF,10%,500V,Y5P,TP,7x4		CLAMP/W	AA65-30104C	CLAMP-WIRE:NYLON 66,V2,NTR,W1 Z4,ALL MOD	
C407	2401-001661	C-AL:68uF,20%,100V,GP,TP,10x16,5		CN501	AA39-20109B	LEAD-CONNECTOR,ASSY:-,YBNH025-08,S,8P,50	
C408	2201-000556	C-CERAMIC,DISC:470pF,10%,500V,Y5P,TP,7x4		CN601	3711-002643	CONNECTOR-HEADER:BOX,4P,1R,2.5MM,STRAIGH	
C409	2401-001397	C-AL:470uF,20%,25V,GP,TP,10x16,5		CN701	3711-002646	CONNECTOR-HEADER:BOX,7P,1R,2.5mm,STRAIGH	
C410	2301-000383	C-FILM,PEF:10nF,5%,50V,TP,6x7x3.2mm,5mm		△ CN802	AA27-20003X	COIL-DEGAUSSING:-,20,14.4ohm,48T,L2170,	
C411	2201-000556	C-CERAMIC,DISC:470pF,10%,500V,Y5P,TP,7x4		CU10	2401-000832	C-AL:220uF,20%,25V,GP,TP,8x11.5,5	
C412	2401-000927	C-AL:22uF,20%,250V,GP,TP,13X20MM,5M		D101	0403-000700	DIODE-ZENER:TZP33A,33V,31-35V,1W,DO-41,T	
C413	2401-000267	C-AL:2.2uF,20%,250V,GP,TP,8x11.5,5		D102	0403-000296	DIODE-ZENER:MTZ5.6B,5.6V,5.45-5.73V,500m	
C419	2201-000639	C-CERAMIC,DISC:680pF,10%,2KV,Y5P,TP,11x6		D201	0401-000005	DIODE-SWITCHING:1N4148,75V,300mA,DO-35,T	
C445	2305-000382	C-FILM,MPEF:4.7nF,5%,400V,TP,-.5mm		D202	0401-000005	DIODE-SWITCHING:1N4148,75V,300mA,DO-35,T	
C501	2201-000192	C-CERAMIC,DISC:10pF,0.3pF,500V,CH,TP,7x4		D209	0401-000005	DIODE-SWITCHING:1N4148,75V,300mA,DO-35,T	
C502	2301-000213	C-FILM,PEF:220nF,5%,250V,TP,21.5x11,7,5		D210	0401-000005	DIODE-SWITCHING:1N4148,75V,300mA,DO-35,T	
C503	2201-002063	C-CERAMIC,DISC:10nF,+80-20%,3KV,Y5V,TP,1		D301	0402-000132	DIODE-RECTIFIER:1N4004,400V,1A,DO-41,TP	
C504	2401-001232	C-AL:4.7uF,20%,250V,GP,TP,10x12.5,5		D401	0402-000132	DIODE-RECTIFIER:1N4004,400V,1A,DO-41,TP	
C506	2401-000430	C-AL:10uF,20%,250V,GP,TP,10x16mm,5m		D402	0402-000132	DIODE-RECTIFIER:1N4004,400V,1A,DO-41,TP	
C601	2401-000914	C-AL:22uF,20%,16V,GP,TP,5x11,5		D403	0402-001105	DIODE-RECTIFIER:ERB43-04SV1,400V,1.0A,-,	
				D404	0402-000534	DIODE-RECTIFIER:RG10V,400V,1.2A,DO-201,T	
				D405	0402-000546	DIODE-RECTIFIER:TVR10G,400V,1.0A,DO-41,T	
				D407	0402-001105	DIODE-RECTIFIER:ERB43-04SV1,400V,1.0A,-,	
				D501	0402-000216	DIODE-RECTIFIER:ERC24-06,600V,1.0A,DO-201,T	
				D502	0402-000546	DIODE-RECTIFIER:TVR10G,400V,1.0A,DO-41,T	

Loc. No.	Code No.	Description ; Specification	Remark	Loc. No.	Code No.	Description ; Specification	Remark
D503	0402-000546	DIODE-RECTIFIER:TVR10G,400V,1.0A,DO-41,T		L811	2901-000299	FILTER-EMI ON BOARD:-,6A,UL/CSA,-,9x7.5,	
D504	0402-000546	DIODE-RECTIFIER:TVR10G,400V,1.0A,DO-41,T		L901	2701-000197	INDUCTOR-AXIAL:5.6uH,10%,2.5x3.4mm	
D601	0401-000005	DIODE-SWITCHING:1N4148,75V,300mA,DO-35,T		L902	2701-000114	INDUCTOR-AXIAL:10uH,10%,2.5x3.4mm	
D802	0402-000540	DIODE-RECTIFIER:RU20A,600V,1.5A,-,TP		LD901	AA96-30001C	ASSY-LED,GUIDE:-,AA61-50055A,DL-G7RA,-	
D803	0402-000546	DIODE-RECTIFIER:TVR10G,400V,1.0A,DO-41,T		LWU01	2701-000177	INDUCTOR-AXIAL:33uH,10%,2.5x3.4MM	
D805	0402-000213	DIODE-RECTIFIER:ERB12-06,600V,1.0A,DO-41		NT801	1404-000187	THERMISTOR-NTC:4.7ohm,15%,2800K,27.2mW/C	
D806	0401-000005	DIODE-SWITCHING:1N4148,75V,300mA,DO-35,T		△P801	1404-001087	THERMISTOR-PTC:70hm,30%,220V,270V,19A,-	
△D807	0402-000213	DIODE-RECTIFIER:ERB12-06,600V,1.0A,DO-41		△PC802	0604-001038	PHOTO-COUPLER:TR,130-260%,200mW,DIP-4,ST	
△D808	0402-000213	DIODE-RECTIFIER:ERB12-06,600V,1.0A,DO-41		Q151	0501-000436	TR-SMALL SIGNAL:KTC3197,NPN,625mW,TO-92,	
△D809	0402-000213	DIODE-RECTIFIER:ERB12-06,600V,1.0A,DO-41		Q201	0501-000389	TR-SMALL SIGNAL:KSC815,NPN,400mW,TO-92,T	
D810	0402-000213	DIODE-RECTIFIER:ERB12-06,600V,1.0A,DO-41		Q202	0501-000389	TR-SMALL SIGNAL:KSC815,NPN,400mW,TO-92,T	
D814	0404-001056	DIODE-SCHOTTKY:RK16,60V,1.5A,DO-204AC,TP		Q205	0501-000389	TR-SMALL SIGNAL:KSC815,NPN,400mW,TO-92,T	
D855	0403-000297	DIODE-ZENER:MTZ6.2B,6.2V,5.96-6.27V,500m		△Q401	0502-001115	TR-POWER:KSC5386,NPN,50W,TO-3PF,ST,8-	
D856	0403-000296	DIODE-ZENER:MTZ5.6B,5.6V,5.45-5.73V,500m		Q402	0501-000369	TR-SMALL SIGNAL:KSC2331-Y,NPN,1W,TO-92L,	
D901	0401-000005	DIODE-SWITCHING:1N4148,75V,300mA,DO-35,T		Q601	0502-000242	TR-POWER:KSA614,PNP,25W,TO-220,TP,40-24	
D902	0403-000560	DIODE-ZENER:MTZ6.8B,6.8V,6.49-6.83V,500m		Q602	0501-000389	TR-SMALL SIGNAL:KSC815,NPN,400mW,TO-92,T	
D903	0401-000005	DIODE-SWITCHING:1N4148,75V,300mA,DO-35,T		Q801	1203-001217	IC-POS:ADJUST REG.:431,TO-92,3P,4.58MIL	
D905	0403-000296	DIODE-ZENER:MTZ5.6B,5.6V,5.45-5.73V,500m		Q902	0501-000389	TR-SMALL SIGNAL:KSC815,NPN,400mW,TO-92,T	
D906	0401-000005	DIODE-SWITCHING:1N4148,75V,300mA,DO-35,T		QC01	0504-000123	TR-DIGITAL:KSR1010,NPN,300mW,10K,TO-92,T	
D907	0401-000005	DIODE-SWITCHING:1N4148,75V,300mA,DO-35,T		QC02	0504-000123	TR-DIGITAL:KSR1010,NPN,300mW,10K,TO-92,T	
D908	0401-000005	DIODE-SWITCHING:1N4148,75V,300mA,DO-35,T		QU10	0501-000369	TR-SMALL SIGNAL:KSC2331-Y,NPN,1W,TO-92L,	
DU01	0402-000132	DIODE-RECTIFIER:1N4004,400V,1A,DO-41,TP		R101	2001-000221	R-CARBON:1.2Kohm,5%,1/8W,AA,TP,1.8x3.2m	
DZ201	0403-000300	DIODE-ZENER:MTZ8.2B,8.2V,7.78-8.19V,500m		R102	2001-000660	R-CARBON:33Kohm,5%,1/8W,AA,TP,1.8x3.2mm	
DZ202	0403-000551	DIODE-ZENER:MTZ3.9B,3.9V,3.89-4.16V,500m		R103	2001-000947	R-CARBON:7.5Kohm,5%,1/8W,AA,TP,1.8x3.2m	
DZ203	0403-000563	DIODE-ZENER:MTZ9.1B,9.1V,8.57-9.01V,500m		R104	2003-000502	R-METAL OXIDE(S):150ohm,5%,2W,AA,TP,4x12	
DZ204	2001-000812	R-CARBON:5.6Kohm,5%,1/8W,AA,TP,1.8x3.2m		R105	2003-000502	R-METAL OXIDE(S):150ohm,5%,2W,AA,TP,4x12	
DZ205	0403-000355	DIODE-ZENER:UZ5.1BSB,5.1V,4.97-5.18V,500		R106	2003-000664	R-METAL OXIDE(S):33ohm,5%,2W,AF,TP,4x12m	
DZ206	0403-000551	DIODE-ZENER:MTZ3.9B,3.9V,3.89-4.16V,500m		R152	2001-000221	R-CARBON:1.2Kohm,5%,1/8W,AA,TP,1.8x3.2m	
DZ207	0403-000563	DIODE-ZENER:MTZ9.1B,9.1V,8.57-9.01V,500m		R153	2001-000734	R-CARBON:4.7Kohm,5%,1/8W,AA,TP,1.8x3.2m	
DZ208	0403-000563	DIODE-ZENER:MTZ9.1B,9.1V,8.57-9.01V,500m		R154	2001-000515	R-CARBON:220ohm,5%,1/8W,AA,TP,1.8x3.2mm	
DZ301	0403-000660	DIODE-ZENER:MTZ22A,22V,20.15-21.2V,500mW		R155	2001-000362	R-CARBON:150ohm,5%,1/8W,AA,TP,1.8x3.2mm	
DZ302	0403-001039	DIODE-ZENER:MA2560,56V,52-60V,1W,DO-41,T		R156	2001-000666	R-CARBON:33ohm,5%,1/8W,AA,TP,1.8x3.2mm	
DZ501	0403-000563	DIODE-ZENER:MTZ9.1B,9.1V,8.57-9.01V,500m		R157	2001-000793	R-CARBON:47ohm,5%,1/8W,AA,TP,1.8x3.2mm	
DZ502	0403-000563	DIODE-ZENER:MTZ9.1B,9.1V,8.57-9.01V,500m		R158	2001-000007	R-CARBON:3Kohm,5%,1/8W,AA,TP,1.8x3.2mm	
DZ503	0403-000563	DIODE-ZENER:MTZ9.1B,9.1V,8.57-9.01V,500m		R159	2001-000007	R-CARBON:3Kohm,5%,1/8W,AA,TP,1.8x3.2mm	
DZ504	0403-000563	DIODE-ZENER:MTZ9.1B,9.1V,8.57-9.01V,500m		R200	2001-000780	R-CARBON:470ohm,5%,1/8W,AA,TP,1.8x3.2mm	
DZ800	1405-000152	VARIATOR:560V,2500A,14x8.5mm,TP		R201	2001-000005	R-CARBON:390ohm,5%,1/8W,AA,TP,1.8x3.2mm	
DZ801	1405-000152	VARIATOR:560V,2500A,14x8.5mm,TP		R202	2001-000281	R-CARBON:100ohm,5%,1/8W,AA,TP,1.8x3.2mm	
DZ802	0403-000300	DIODE-ZENER:MTZ8.2B,8.2V,7.78-8.19V,500m		R203	2001-000281	R-CARBON:100ohm,5%,1/8W,AA,TP,1.8x3.2mm	
DZ803	0403-000296	DIODE-ZENER:MTZ5.6B,5.6V,5.45-5.73V,500m		R207	2001-000008	R-CARBON:15Kohm,5%,1/8W,AA,TP,1.8x3.2mm	
DZ806	0403-000294	DIODE-ZENER:MTZ4.7B,4.7V,4.45-4.80V,500m		R208	2001-000674	R-CARBON:360ohm,5%,1/8W,AA,TP,1.8x3.2mm	
DZ807	0403-000300	DIODE-ZENER:MTZ8.2B,8.2V,7.78-8.19V,500m		R209	2001-000016	R-CARBON(S):1ohm,5%,1/2W,AA,TP,2.4x6.4mm	
DZ901	0403-000296	DIODE-ZENER:MTZ5.6B,5.6V,5.45-5.73V,500m		R210	2001-000429	R-CARBON:1Kohm,5%,1/8W,AA,TP,1.8x3.2mm	
DZ902	0403-000296	DIODE-ZENER:MTZ5.6B,5.6V,5.45-5.73V,500m		R212	2001-000003	R-CARBON:330ohm,5%,1/8W,AA,TP,1.8x3.2mm	
DZ904	0403-000296	DIODE-ZENER:MTZ5.6B,5.6V,5.45-5.73V,500m		R213	2001-000003	R-CARBON:330ohm,5%,1/8W,AA,TP,1.8x3.2mm	
DZ905	0403-000297	DIODE-ZENER:MTZ6.2B,6.2V,5.96-6.27V,500m		R214	2001-000003	R-CARBON:330ohm,5%,1/8W,AA,TP,1.8x3.2mm	
F801	3601-001012	FUSE-FERRULE:250V,4A,SLOW-BLOW,GLASS,5.2		R215	2001-000273	R-CARBON:100Kohm,5%,1/8W,AA,TP,1.8x3.2m	
△F801A	3602-000114	FUSE-HOLDER:-,30mohm		R218	2001-000591	R-CARBON:3.3Kohm,5%,1/8W,AA,TP,1.8x3.2m	
F801B	3602-000114	FUSE-HOLDER:-,30mohm		R219	2001-000008	R-CARBON:15Kohm,5%,1/8W,AA,TP,1.8x3.2mm	
IC201	1204-001439	IC-VIDEO PROCESS:TDA8841,DIP56P,-,PLAST		R224	2001-000563	R-CARBON:27Kohm,5%,1/8W,AA,TP,1.8x3.2mm	
IC301	1204-000441	IC-IF CIRCUIT:TDA8356,SIP9P,-,PLASTIC,4	H/S	R225	2001-000515	R-CARBON:220ohm,5%,1/8W,AA,TP,1.8x3.2mm	
IC501	1201-001159	IC-VIDEO AMP:6107,ZIP9P,300MIL,SINGLE,-	H/S	R226	2001-000281	R-CARBON:100ohm,5%,1/8W,AA,TP,1.8x3.2mm	
IC601	1201-001298	IC-POWER AMP:4425,SIP5P,9.5MIL,MONO,45d	H/S	R227	2004-001234	R-METAL:75Kohm,5%,1/8W,AA,TP,1.8x3.2mm	
IC602	1201-001298	IC-POWER AMP:4425,SIP5P,9.5MIL,MONO,45d		R230	2001-000890	R-CARBON:6.8Kohm,5%,1/8W,AA,TP,1.8x3.2m	
△IC801	1203-001494	IC-PWM CONTROLLER:3S0680RF,TO3PF-5L,5,21	H/S	R231	2001-000563	R-CARBON:27Kohm,5%,1/8W,AA,TP,1.8x3.2mm	
IC802	1203-001531	IC-POS:FIXED REG.:7630,SIP,10P,-,PLASTI		R232	2001-000356	R-CARBON:150Kohm,5%,1/8W,AA,TP,1.8x3.2m	
IC901	AA13-30020Y	IC-MCU:SAMSUNG,KS88P8324-OTP,8BIT,SDI		R234	2001-000281	R-CARBON:100ohm,5%,1/8W,AA,TP,1.8x3.2mm	
IC902	1103-001107	IC-EEPROM:24C020,2Kx1BIT,DIP,8P,300MIL,1		R235	2001-000633	R-CARBON:30Kohm,5%,1/8W,AA,TP,1.8x3.2mm	
JA701	3722-000162	JACK-PIN:2P,3.4mm,SN,BLK,-		R236	2003-000634	R-METAL OXIDE(S):3.9Kohm,5%,1W,AA,TP,3.3	
L102	2701-000207	INDUCTOR-AXIAL:56uH,5%,2.5x3.4mm		R237	2001-000793	R-CARBON:47ohm,5%,1/8W,AA,TP,1.8x3.2mm	
L152	2701-000101	INDUCTOR-AXIAL:1.2uH,10%,2.5x3.4mm		R240	2001-000577	R-CARBON:2Kohm,5%,1/8W,AA,TP,1.8x3.2mm	
L201	2701-000114	INDUCTOR-AXIAL:10uH,10%,2.5x3.4mm		R244	2001-000343	R-CARBON:130ohm,5%,1/8W,AA,TP,1.8x3.2mm	
L206	2701-000114	INDUCTOR-AXIAL:10uH,10%,2.5x3.4mm		R245	2001-000780	R-CARBON:470ohm,5%,1/8W,AA,TP,1.8x3.2mm	
L301	2701-000115	INDUCTOR-AXIAL:10uH,10%,2.8x7mm		R246	2001-000832	R-CARBON:510ohm,5%,1/8W,AA,TP,1.8x3.2mm	
L302	2701-000114	INDUCTOR-AXIAL:10uH,10%,2.5x3.4mm		R247	2001-000613	R-CARBON:3.9Kohm,5%,1/8W,AA,TP,1.8x3.2m	
L303	2701-000114	INDUCTOR-AXIAL:10uH,10%,2.5x3.4mm		R248	2001-000290	R-CARBON:10Kohm,5%,1/8W,AA,TP,1.8x3.2mm	
L304	2701-000159	INDUCTOR-AXIAL:22uH,10%,4.2x9.8mm		R252	2004-001914	R-METAL:39Kohm,2%,1/8W,AA,TP,1.8x3.5mm	
L305	2701-000116	INDUCTOR-AXIAL:10uH,10%,4.2x9.8mm		R258	2001-000449	R-CARBON:2.2Kohm,5%,1/8W,AA,TP,1.8x3.2m	
L401	AA27-30001B	COIL-LINEARITY:-,195uH,QIC1010,PIO.4,4.5		R262	2001-000429	R-CARBON:1Kohm,5%,1/8W,AA,TP,1.8x3.2mm	
△L402	2701-001032	INDUCTOR-AXIAL:100uH,10%,5x14mm		R301	2004-000869	R-METAL:3Kohm,1%,1/8W,AA,TP,1.8x3.2mm	
L601	2701-000158	INDUCTOR-AXIAL:22uH,10%,2.5x3.4mm		R302	2008-001033	R-FUSIBLE(S):10ohm,5%,2W,AF,TP,3.9x10mm	
△L801	AA29-30001D	FILTER-LINE:-,6.0mH,2A,-,SQ1913		R303	2001-000085	R-CARBON(S):100Kohm,5%,1/2W,AA,TP,2.4x6.	
L802	3301-000287	CORE-FERRITE BEAD:AA,3.5x1x6mm,1500,2400		R305	2004-004087	R-METAL(S):1.5ohm,1%,1/2W,AA,TP,2.5x6.5m	
L803	2901-000299	FILTER-EMI ON BOARD:-,6A,UL/CSA,-,9x7.5,		R306	2008-000254	R-FUSIBLE(S):0.68ohm,5%,2W,AF,TP,3.9x10m	
L804	3301-000287	CORE-FERRITE BEAD:AA,3.5x1x6mm,1500,2400		R307	2003-000652	R-METAL OXIDE(S):330ohm,5%,2W,AF,TP,4x12	
L809	2901-000299	FILTER-EMI ON BOARD:-,6A,UL/CSA,-,9x7.5,		R403	2001-001114	R-CARBON(S):270ohm,5%,1/2W,AA,TP,2.4x6.4	
L810	2701-001032	INDUCTOR-AXIAL:100uH,10%,5x14mm		R404	2001-001136	R-CARBON(S):36ohm,5%,1/2W,AA,TP,2.4x6.4m	

Loc. No.	Code No.	Description ; Specification	Remark	Loc. No.	Code No.	Description ; Specification	Remark
R405	2003-000784	R-METAL OXIDE(S):7.5Kohm,5%,2W,AF,TP,4x1		R929	2001-000331	R-CARBON:12Kohm,5%,1/8W,AA,TP,1.8x3.2mm	
R406	2003-000455	R-METAL OXIDE(S):100ohm,5%,2W,AA,TP,4x12		R930	2001-000290	R-CARBON:10Kohm,5%,1/8W,AA,TP,1.8x3.2mm	
R407	2003-000994	R-METAL OXIDE(S):33Kohm,5%,2W,AF,TP,3.9x		R931	2001-000429	R-CARBON:1Kohm,5%,1/8W,AA,TP,1.8x3.2mm	
R408	2004-001390	R-METAL(S):1Kohm,2%,1/2W,AA,TP,2.4x6.4mm		R937	2001-000734	R-CARBON:4.7Kohm,5%,1/8W,AA,TP,1.8x3.2m	
R409	2008-000206	R-FUSIBLE(S):1ohm,5%,1/2W,AF,TP,2.5x6.5m		R940	2001-000591	R-CARBON:3.3Kohm,5%,1/8W,AA,TP,1.8x3.2m	
R410	2008-000204	R-FUSIBLE(S):0.22ohm,10%,1/2W,AF,TP,2.5x		R941	2001-000723	R-CARBON:4.3Kohm,5%,1/8W,AA,TP,1.8x3.2m	
R413	2001-001037	R-CARBON(S):0.39ohm,5%,1/2W,AA,TP,2.4x6.		R942	2001-000723	R-CARBON:4.3Kohm,5%,1/8W,AA,TP,1.8x3.2m	
R415	2003-000540	R-METAL OXIDE(S):1Kohm,5%,2W,AF,TP,4x12m		R951	2001-000723	R-CARBON:4.3Kohm,5%,1/8W,AA,TP,1.8x3.2m	
R416	2001-000022	R-CARBON(S):33ohm,5%,1/2W,AA,TP,2.4x6.4m		R988	2001-000397	R-CARBON:180Kohm,5%,1/8W,AA,TP,1.8x3.2m	
R417	2001-000028	R-CARBON(S):100ohm,5%,1/2W,AA,TP,2.4x6.4		RC01	2001-000290	R-CARBON:10Kohm,5%,1/8W,AA,TP,1.8x3.2mm	
R418	2008-000277	R-FUSIBLE:68ohm,5%,1/2W,AA,TP,4.7x11mm		RC02	2001-000290	R-CARBON:10Kohm,5%,1/8W,AA,TP,1.8x3.2mm	
R419	2008-000264	R-FUSIBLE(S):1ohm,5%,1W,AF,TP,3.9x10mm		RJ05	2002-001010	R-COMPOSITION:1.8Mohm,10%,1/2W,AA,TP,3.7	
R420	2004-001377	R-METAL(S):120Kohm,1%,1/2W,AA,TP,2.4x6.4		RLU01	3501-001040	RELAY-POWER:12VDC,500mW,10A,1FormA,15mS,	
R501H	2002-001008	R-COMPOSITION:1.8Kohm,5%,1/2W,AA,TP,3.7x		RM901	AA59-60001U	MODULE-REMOCON:-,ORC-50VF/SR-12V,38KHZ,9	
R502H	2002-001008	R-COMPOSITION:1.8Kohm,5%,1/2W,AA,TP,3.7x		RU11	2001-000290	R-CARBON:10Kohm,5%,1/8W,AA,TP,1.8x3.2mm	
R503	2002-001008	R-COMPOSITION:1.8Kohm,5%,1/2W,AA,TP,3.7x		RU12	2001-000734	R-CARBON:4.7Kohm,5%,1/8W,AA,TP,1.8x3.2m	
R504	2001-001062	R-CARBON(S):10Mohm,5%,1/2W,AA,TP,2.4x6.4		RU13	2001-000022	R-CARBON(S):33ohm,5%,1/2W,AA,TP,2.4x6.4m	
R505	2008-000264	R-FUSIBLE(S):1ohm,5%,1W,AF,TP,3.9x10mm		SF101	2904-000286	FILTER-SAW AV:45.75MHz,SIP5P,ST,11.7dB,N	
R510	2001-000281	R-CARBON:100ohm,5%,1/8W,AA,TP,1.8x3.2mm		SW901	3404-000244	SWITCH-TACT:15V,20mA,90-170gf,7.5x7mm,SP	
R511	2001-000281	R-CARBON:100ohm,5%,1/8W,AA,TP,1.8x3.2mm		SW902	3404-000244	SWITCH-TACT:15V,20mA,90-170gf,7.5x7mm,SP	
R512	2001-000281	R-CARBON:100ohm,5%,1/8W,AA,TP,1.8x3.2mm		SW903	3404-000244	SWITCH-TACT:15V,20mA,90-170gf,7.5x7mm,SP	
R602	2001-000786	R-CARBON:47Kohm,5%,1/8W,AA,TP,1.8x3.2mm		SW904	3404-000244	SWITCH-TACT:15V,20mA,90-170gf,7.5x7mm,SP	
R603	2001-000864	R-CARBON:56Kohm,5%,1/8W,AA,TP,1.8x3.2mm		SW905	3404-000244	SWITCH-TACT:15V,20mA,90-170gf,7.5x7mm,SP	
R604	2001-000577	R-CARBON:2Kohm,5%,1/8W,AA,TP,1.8x3.2mm		SW906	3404-000295	SWITCH-TACT:12VDC,50mA,160gf,8.4X22.7,SP	
R605	2001-000290	R-CARBON:10Kohm,5%,1/8W,AA,TP,1.8x3.2mm		T401	AA26-50001B	HORIZ.DRIVE:-,7.1MH,102UH,10-20UH,YL081,	
R614	2001-001152	R-CARBON(S):47Kohm,5%,1/2W,AA,TP,2.4x6.4		T444	AA26-30001Y	TRANS-FLYBACK:-,FSV-20A001,20,125V	
R615	2001-001088	R-CARBON(S):1Kohm,5%,1/2W,AA,TP,2.4x6.4m		T801	AA26-20006U	TRANS-SWITCHING:-,90-260V,125V/12.5V,EN,	
R701	2001-001187	R-CARBON(S):75ohm,5%,1/2W,AA,TP,2.4x6.4m		TU01	AA40-10005T	TUNER-F/S:TECC1070PG26A(S),NTSC/USA,TR,1	
R702	2001-000085	R-CARBON(S):100Kohm,5%,1/2W,AA,TP,2.4x6.		V999	3704-001090	SOCKET-CRT:9P,15.24PI,26.5PI,SN,-	
R703	2001-000515	R-CARBON:220ohm,5%,1/8W,AA,TP,1.8x3.2mm		X203	2801-003298	CRYSTAL-UNIT:3.579545MHz,30ppm,28-AAM,20	
R801	2001-001150	R-CARBON(S):470Kohm,5%,1/2W,AA,TP,2.4x6.		X901	2801-000724	CRYSTAL-UNIT:6MHz,50ppm,28-AAM,20Pf,40oh	
R802	2003-000994	R-METAL OXIDE(S):33Kohm,5%,2W,AF,TP,3.9x		XC01	2801-003300	CRYSTAL-UNIT:3.575611MHz,30ppm,28-AAM,20	
R803	2003-000994	R-METAL OXIDE(S):33Kohm,5%,2W,AF,TP,3.9x		XC02	2801-003299	CRYSTAL-UNIT:3.582056MHz,30ppm,28-AAM,20	
R805	2002-001012	R-COMPOSITION:8.2Mohm,10%,1/2W,AA,TP,3.7		Z201	2903-001022	FILTER-CERAMIC:TR,4.5MHz,-,0.5dB,-,TP,-	
R806	2001-001071	R-CARBON(S):12Kohm,5%,1/2W,AA,TP,2.4x6.4		Z601	2903-000135	FILTER-CERAMIC:BP,4.5MHz,+60KHz,6dB,-,T	
R807	2001-001071	R-CARBON(S):12Kohm,5%,1/2W,AA,TP,2.4x6.4					
R808	2001-001150	R-CARBON(S):470Kohm,5%,1/2W,AA,TP,2.4x6.					
R809	2008-000205	R-FUSIBLE(S):10ohm,5%,1/2W,AF,TP,2.5x6.5					
R810	2001-001170	R-CARBON(S):6.8ohm,5%,1/2W,AA,TP,2.4x6.4					
R812	2008-000264	R-FUSIBLE(S):1ohm,5%,1W,AF,TP,3.9x10mm					
R816	2001-001134	R-CARBON(S):360ohm,5%,1/2W,AA,BK,2.4x6.4					
R817	2001-001134	R-CARBON(S):360ohm,5%,1/2W,AA,BK,2.4x6.4					
R818	2001-001134	R-CARBON(S):360ohm,5%,1/2W,AA,BK,2.4x6.4					
R819	2008-001011	R-FUSIBLE(S):0.18ohm,10%,2W,AF,TP,3.9x10					
R821	2004-004089	R-METAL:123Kohm,1%,1/2W,AA,TP,2.5x6.5m					
R822	2001-000022	R-CARBON(S):33ohm,5%,1/2W,AA,TP,2.4x6.4m					
R823	2001-001178	R-CARBON(S):680ohm,5%,1/2W,AA,TP,2.4x6.4					
R824	2001-001125	R-CARBON(S):300Kohm,5%,1/2W,AA,TP,2.4x6.					
R852	2001-001088	R-CARBON(S):1Kohm,5%,1/2W,AA,TP,2.4x6.4m					
R853	2001-001054	R-CARBON(S):1.6Kohm,5%,1/2W,AA,TP,2.4x6.					
R854	2004-001983	R-METAL:2.49Kohm,1%,1/2W,AA,TP,2.4x6.4					
R901	2001-000793	R-CARBON:47ohm,5%,1/8W,AA,TP,1.8x3.2mm					
R902	2001-000429	R-CARBON:1Kohm,5%,1/8W,AA,TP,1.8x3.2mm					
R903	2001-000281	R-CARBON:100ohm,5%,1/8W,AA,TP,1.8x3.2mm					
R904	2001-000281	R-CARBON:100ohm,5%,1/8W,AA,TP,1.8x3.2mm					
R905	2001-000241	R-CARBON:1.5Kohm,5%,1/8W,AA,TP,1.8x3.2m					
R906	2004-000187	R-METAL:10.5Kohm,1%,1/4W,AA,TP,2.4x6.4					
R907	2001-000007	R-CARBON:3Kohm,5%,1/8W,AA,TP,1.8x3.2mm					
R908	2001-000006	R-CARBON:2.4Kohm,5%,1/8W,AA,TP,1.8x3.2m					
R909	2001-000613	R-CARBON:3.9Kohm,5%,1/8W,AA,TP,1.8x3.2m					
R910	2004-001126	R-METAL:6.2Kohm,1%,1/8W,AA,TP,1.8x3.2m					
R911	2001-000290	R-CARBON:10Kohm,5%,1/8W,AA,TP,1.8x3.2mm		JA703	3722-000506	JACK-RCA:2P,3.6MM,-,AG	
R913	2001-000924	R-CARBON:680ohm,5%,1/8W,AA,TP,1.8x3.2mm		CN704*	AA39-20070E	LEAD-CONNECTOR,ASSY:-,YBNH025-07,67096-0	
R914	2001-000429	R-CARBON:1Kohm,5%,1/8W,AA,TP,1.8x3.2mm		01LOT	AA41-10350B	PCB-A/V;K1,1,FR-1,51x23x1.6T,-,-	
R915	2001-000577	R-CARBON:2Kohm,5%,1/8W,AA,TP,1.8x3.2mm					
R916	2001-000281	R-CARBON:100ohm,5%,1/8W,AA,TP,1.8x3.2mm					
R917	2001-000281	R-CARBON:100ohm,5%,1/8W,AA,TP,1.8x3.2mm					
R918	2001-000281	R-CARBON:100ohm,5%,1/8W,AA,TP,1.8x3.2mm					
R919	2001-000281	R-CARBON:100ohm,5%,1/8W,AA,TP,1.8x3.2mm					
R921	2001-000429	R-CARBON:1Kohm,5%,1/8W,AA,TP,1.8x3.2mm					
R922	2001-000281	R-CARBON:100ohm,5%,1/8W,AA,TP,1.8x3.2mm					
R923	2001-000281	R-CARBON:100ohm,5%,1/8W,AA,TP,1.8x3.2mm					
R924	2001-000449	R-CARBON:2.2Kohm,5%,1/8W,AA,TP,1.8x3.2m					
R925	2001-000449	R-CARBON:2.2Kohm,5%,1/8W,AA,TP,1.8x3.2m					
R926	2001-000449	R-CARBON:2.2Kohm,5%,1/8W,AA,TP,1.8x3.2m					
R927	2001-000290	R-CARBON:10Kohm,5%,1/8W,AA,TP,1.8x3.2mm					
R928	2001-000864	R-CARBON:56Kohm,5%,1/8W,AA,TP,1.8x3.2mm					

ASSY-ACCESSORY

AA42-10001V ANT-ROD:-,3S,620mm,BRN,UL/CSA
 AA68-30004A MANUAL-BOOK:-,W/P120(G)-,SEPA,-,-
 AA68-11321A MANUAL-USERS:K15B,POR,TM59,205X150,W/P 1
 AA68-11320A MANUAL-USERS:K15B,SPA,TM59,205X150,W/P 1
 3721-000136 PLUG-CONVERSION:2P,4.0mm,N,NI
 AA26-90001F TRANS-MATCHING:-,300ohm/75ohm,NTSC,40-89

ASSY-CRT

AA94-50020MASSY-CRT:A48KRD82X(HB),OMG,20,BARE,CT5
 AA03-10030L CRT-COLOR:-,A48KRD82X(HB),OmG,20,90deg,
 AA27-50004W DEFLECTION-YOKE:-,DSE-1992LL(1H),20/A48
 AA27-60001D MAGNET-CONVERGENCE:-,JH-291-(JH-8210),29
 AA63-60028A SPACER-DY:NEOPRENE,-,BLK,VO W12,-,-

ASSY-PCB,A/V FRONT

AA95-90030MASSY-PCB,A/V FRONT:-,CT-2139H,KCT15A,NTS
 3722-000506 JACK-RCA:2P,3.6MM,-,AG
 AA39-20070E LEAD-CONNECTOR,ASSY:-,YBNH025-07,67096-0
 AA41-10350B PCB-A/V;K1,1,FR-1,51x23x1.6T,-,-

ASSY-POWER,CORD

AA39-10006X POWER-CORD:-,KKP419C,KLCE-2F,2.286MT,3P,
 AA61-20284A HOLDER:-,P-CORD,PP,VO,BLK,KE-002

REMOCON

AA59-10107F REMOCON:-,TM59,SS,SSM174PT,27,-,-,L/GR

Loc. No.	Code No.	Description ; Specification	Remark	Loc. No.	Code No.	Description ; Specification	Remark
----------	----------	-----------------------------	--------	----------	----------	-----------------------------	--------

ASSY-CABINET

*	AA91-10421A	ASSY-CABINET,FRONT,-,CN-5039BZ,BK-708P P	
	AA64-70010D	BADGE-BRAND-AL,SS R2000 25,GOLD,L50,-,-,	
	AA61-40015A	BOSS-CABINET,-,HIPS,HB,NTR,-,-	
	AA64-30389A	CABINET-BACK,-,5039,-,HIPS,VO,BLK,-,-	
	AA64-31261M	CABINET-FRONT,-,CN-5039BZ,BK-708P PGB TV	
	AA65-30008A	CLAMP-CORD,PE,HB,BLK,-,-,-	
	AA65-30107A	CLAMP-D,COIL:NYLON 66,V2,NTR,-,20-22 INC	
	AA65-30105A	CLAMP-WIRE:NYLON 66,V2,NTR,15MM,ALL MODE	
	AA63-50011B	GRILLE-WOOFER,-,5039,PA110,SECC,T0.5,-,-	
	AA64-40167A	INDICATOR-LED,-,5039,-,ACRYL,-,-,-	
	AA64-60161Q	INLAY-AV:V-MODEL,NTSC TVI EG,PS,T0.3,BL	
	AA64-10048A	KNOB-CONTROL,-,5039,-,ABS,HB,BLK	
	AA64-10143B	KNOB-POWER,T,-,5039,SILK,ABS,HB,BLK	
CRT+CF	AA60-10050R	SCREW-ASSY:WC,HH,+M5,L31.5,SWRCH18A,ZPC	
CB+CF	6002-000514	SCREW-TAPPING:RH,+,2,M4,L15,ZPC(BLK),SWR	
CB+RCA	6002-000514	SCREW-TAPPING:RH,+,2,M4,L15,ZPC(BLK),SWR	
PA+CF	AA60-10002A	SCREW-TAPPING:RH,+,M4,L12,ZPC(YEL),-OD1	
KNOPOW	AA61-60003J	SPRING-CS,-,SUS304,0.5,OD6,H12,N7,-,-,-	
	AA64-40055A	WINDOW-REMOCON,-,5039,NO-SILK,PC,-,-,-	

ASSY-SPEAKER

*	AA96-10137A	ASSY-SPEAKER,-,8ohm,3W,000191,AA3920505M	
	3001-000191	SPEAKER:3W,8ohm,90dB,180Hz	
	AA39-20505M	LEAD CONNECTOR-ASSY,-,YSH025-04,REC,4P,3	

7-6 CN5085BZX/DRI

Loc. No.	Code No.	Description ; Specification	Remark	Loc. No.	Code No.	Description ; Specification	Remark
----------	----------	-----------------------------	--------	----------	----------	-----------------------------	--------

ASSY-PCB,MAIN

*	AA94-10150C	ASSY-PCB,MAIN(OPT):CN5085BZX/DRI,K15B,UR	
C102	2401-000962	C-AL:22uF,20%,50V,GP,TP,5x11,5	
C104	2202-000127	C-CERAMIC,MLC-AXIAL:10nF,+80-20%,25V,Y5V	
C108	2401-000480	C-AL:10uF,20%,50V,GP,TP,5x11,5	
C110	2401-002594	C-AL:220uF,20%,16V,GP,TP,8x11.5,5	
C151	2202-000127	C-CERAMIC,MLC-AXIAL:10nF,+80-20%,25V,Y5V	
C153	2202-000127	C-CERAMIC,MLC-AXIAL:10nF,+80-20%,25V,Y5V	
C201	2306-000122	C-FILM,MPPF:100nF,5%,50V,TP,7.3x4.0x5.0m	
C202	2401-001840	C-AL:100uF,20%,16V,GP,TP,6.3x11.5	
C203	2401-000660	C-AL:2.2uF,20%,50V,GP,TP,5x11,5	
C204	2401-001333	C-AL:470nF,20%,50V,GP,TP,5x11,5	
C205	2305-000411	C-FILM,MPEF:470nF,5%,50V,TP,7.3x4.8x5.5m	
C206	2305-000411	C-FILM,MPEF:470nF,5%,50V,TP,7.3x4.8x5.5m	
C207	2305-000196	C-FILM,MPEF:150nF,5%,63V,TP,-,5mm	
C208	2401-000027	C-AL:4.7uF,20%,50V,GP,TP,5x11,5	
C209	2202-000849	C-CERAMIC,MLC-AXIAL:18pF,5%,50V,CH,TP,3	
C210	2301-000445	C-FILM,PEF:4.7nF,5%,50V,TP,5.5x7x3mm,5mm	
C211	2305-000665	C-FILM,MPEF:100nF,5%,63V,TP,7.5x4.0x5.0m	
C212	2301-000192	C-FILM,PEF:1nF,5%,50V,TP,5.3x10mm,5mm	
C213	2201-000258	C-CERAMIC,DISC:17pF,5%,50V,CH,TP,5x3,5	
C214	2301-000356	C-FILM,PEF:47nF,5%,50V,TP,7.5x4.0x6.5,5m	
C215	2301-000383	C-FILM,PEF:10nF,5%,50V,TP,6x7x3.2mm,5mm	
C216	2305-000288	C-FILM,MPEF:220nF,5%,50V,TP,7.3x4.8x5.5m	
C218	2202-000791	C-CERAMIC,MLC-AXIAL:150pF,10%,50V,Y5P,TP	
C219	2401-000603	C-AL:1uF,20%,50V,GP,TP,5x11,5	
C222	2401-000480	C-AL:10uF,20%,50V,GP,TP,5x11,5	
C226	2301-000224	C-FILM,PEF:22nF,5%,50V,TP,7.4x3.9x13mm	
C231	2401-000480	C-AL:10uF,20%,50V,GP,TP,5x11,5	
C232	2401-001840	C-AL:100uF,20%,16V,GP,TP,6.3x11.5	
C238	2401-002144	C-AL:47uF,20%,16V,GP,TP,5x11,5	
C239	2305-000288	C-FILM,MPEF:220nF,5%,50V,TP,7.3x4.8x5.5m	
C240	2305-000665	C-FILM,MPEF:100nF,5%,63V,TP,7.5x4.0x5.0m	
C247	2202-002037	C-CERAMIC,MLC-AXIAL:100nF,80-20%,50V,Y5V	

C248	2309-000138	C-FILM,PE-PPF:100nF,5%,50V,TP,20x16x8.5	
C249	2401-000603	C-AL:1uF,20%,50V,GP,TP,5x11,5	
C250	2301-000224	C-FILM,PEF:22nF,5%,50V,TP,7.4x3.9x13mm	
C251	2301-000445	C-FILM,PEF:4.7nF,5%,50V,TP,5.5x7x3mm,5mm	
C252	2301-000192	C-FILM,PEF:1nF,5%,50V,TP,5.3x10mm,5mm	
C253	2306-000122	C-FILM,MPPF:100nF,5%,50V,TP,7.3x4.0x5.0m	
C301	2202-000183	C-CERAMIC,MLC-AXIAL:2.2nF,20%,16V,Y5R,TP	
C302	2202-000183	C-CERAMIC,MLC-AXIAL:2.2nF,20%,16V,Y5R,TP	
C303	2401-003028	C-AL:100uF,20%,25V,WT,TP,6.3x11,5	
C304	2401-000901	C-AL:22uF,20%,160V,GP,TP,10x20,5	
C307	2305-000708	C-FILM,MPEF:150nF,5%,100V,TP,16.5x10.3x5	
C308	2305-000470	C-FILM,MPEF:68nF,5%,100V,TP,-,5mm	
C309	2305-000149	C-FILM,MPEF:100nF,5%,100V,TP,12x12.5x6.5	
C310	2305-000285	C-FILM,MPEF:220nF,5%,100V,TP,20x18x11.5	
C401	2201-000600	C-CERAMIC,DISC:560pF,10%,50V,Y5P,TP,5x3	
C402	2306-000327	C-FILM,MPPF:6.3nF,3%,1.6kV,TP,28.5x18x10	
△ C403	2201-000639	C-CERAMIC,DISC:680pF,10%,2KV,Y5P,TP,11x6	
C404	2306-000004	C-FILM,MPPF:330nF,5%,250V,TP,20x18.5x10	
C405	2301-001065	C-FILM,MPPF:47nF,5%,630V,TP,19x15.5x7,7	
C406	2201-000556	C-CERAMIC,DISC:470pF,10%,500V,Y5P,TP,7x4	
C407	2401-001661	C-AL:68uF,20%,100V,GP,TP,10x16,5	
C408	2201-000556	C-CERAMIC,DISC:470pF,10%,500V,Y5P,TP,7x4	
C409	2401-001397	C-AL:470uF,20%,25V,GP,TP,10x16,5	
C410	2301-000383	C-FILM,PEF:10nF,5%,50V,TP,6x7x3.2mm,5mm	
C411	2201-000556	C-CERAMIC,DISC:470pF,10%,500V,Y5P,TP,7x4	
C412	2401-000927	C-AL:22uF,20%,250V,GP,TP,13x20MM,5M	
C413	2401-002267	C-AL:2.2uF,20%,250V,GP,TP,8x11.5,5	
C419	2201-000639	C-CERAMIC,DISC:680pF,10%,2KV,Y5P,TP,11x6	
C445	2305-000382	C-FILM,MPEF:4.7nF,5%,400V,TP,-,5mm	
C501	2201-000192	C-CERAMIC,DISC:10pF,0.3pF,500V,CH,TP,7x4	
C502	2301-000213	C-FILM,PEF:220nF,5%,250V,TP,21.5x11.7,5	
C503	2201-002063	C-CERAMIC,DISC:10nF,+80-20%,3KV,Y5V,TP,1	
C504	2401-001232	C-AL:4.7uF,20%,250V,GP,TP,10x12.5,5	
C506	2401-000430	C-AL:10uF,20%,250V,GP,TP,10x16mm,5m	
C601	2401-000914	C-AL:22uF,20%,16V,GP,TP,5x11,5	
C602	2202-000279	C-CERAMIC,MLC-AXIAL:47pF,5%,50V,SL,TP,3	
C603	2301-000314	C-FILM,PEF:8.2nF,5%,50V,TP,6.5x3.0x5.5mm	

Loc. No.	Code No.	Description ; Specification	Remark	Loc. No.	Code No.	Description ; Specification	Remark
C604	2401-000660	C-AL:2.2uF,20%,50V,GP,TP,5x11,5		△D807	0402-000213	DIODE-RECTIFIER:ERB12-06,600V,1.0A,DO-41	
C605	2306-000122	C-FILM,MPPF:100nF,5%,50V,TP,7.3x4.0x5.0mm		△D808	0402-000213	DIODE-RECTIFIER:ERB12-06,600V,1.0A,DO-41	
C606	2202-000279	C-CERAMIC,MLC-AXIAL:47pF,5%,50V,SL,TP,3		△D809	0402-000213	DIODE-RECTIFIER:ERB12-06,600V,1.0A,DO-41	
C609	2401-000133	C-AL:1000uF,20%,16V,GP,TP,10x20,5		D810	0402-000213	DIODE-RECTIFIER:ERB12-06,600V,1.0A,DO-41	
C651	2401-000660	C-AL:2.2uF,20%,50V,GP,TP,5x11,5		D814	0404-001056	DIODE-SCHOTTKY:RK16,60V,1.5A,DO-204AC,TP	
C652	2401-000660	C-AL:2.2uF,20%,50V,GP,TP,5x11,5		D855	0403-000297	DIODE-ZENER:MTZ6.2B,6.2V,5.96-6.27V,500m	
C654	2401-001363	C-AL:470uF,20%,16V,GP,TP,10x12,5,5		D856	0403-000296	DIODE-ZENER:MTZ5.6B,5.6V,5.45-5.73V,500m	
C655	2401-001363	C-AL:470uF,20%,16V,GP,TP,10x12,5,5		D901	0401-000005	DIODE-SWITCHING:1N4148,75V,300mA,DO-35,T	
C702	2401-000471	C-AL:10uF,20%,50V,BP,TP,5x11,5mm		D902	0403-000560	DIODE-ZENER:MTZ6.8B,6.8V,6.49-6.83V,500m	
C703	2202-000796	C-CERAMIC,MLC-AXIAL:1nF,10%,50V,Y5P,TP,3		D903	0401-000005	DIODE-SWITCHING:1N4148,75V,300mA,DO-35,T	
C801	2401-002219	C-AL:220uF,20%,400V,GP,ST,25x40,10		D905	0403-000296	DIODE-ZENER:MTZ5.6B,5.6V,5.45-5.73V,500m	
C802	2201-000119	C-CERAMIC,DISC:100nF,+80-20%,50V,Y5V,TP,		D906	0401-000005	DIODE-SWITCHING:1N4148,75V,300mA,DO-35,T	
C803	2303-000163	C-FILM,PPF:2.2nF,5%,800V,TP,15x13x8,5,7		D907	0401-000005	DIODE-SWITCHING:1N4148,75V,300mA,DO-35,T	
C804	2201-000987	C-CERAMIC,DISC:2.2nF,20%,400V,Y5U,TP,15x		D908	0401-000005	DIODE-SWITCHING:1N4148,75V,300mA,DO-35,T	
C805	2201-000991	C-CERAMIC,DISC:560pF,10%,2KV,Y5P,TP,13x7		DU01	0402-000132	DIODE-RECTIFIER:1N4004,400V,1A,DO-41,TP	
C806	2401-000262	C-AL:100uF,20%,160V,HR,TP,16x25,7,5		DZ201	0403-000300	DIODE-ZENER:MTZ8.2B,8.2V,7.78-8.19V,500m	
C807	2201-000599	C-CERAMIC,DISC:560pF,10%,500V,Y5P,TP,7x4		DZ202	0403-000551	DIODE-ZENER:MTZ3.9B,3.9V,3.89-4.16V,500m	
C808	2301-000016	C-FILM,PEF:22nF,5%,100V,TP,7.2x4.5x9.0mm		DZ203	0403-000563	DIODE-ZENER:MTZ9.1B,9.1V,8.57-9.01V,500m	
C809	2401-001998	C-AL:1000uF,20%,25V,GP,TP,10x20,5mm		DZ204	2001-000812	R-CARBON:5.6kOhm,5%,1/8W,AA,TP,1.8x3.2mm	
C810	2306-000122	C-FILM,MPPF:100nF,5%,50V,TP,7.3x4.0x5.0mm		DZ205	0403-000355	DIODE-ZENER:U25.1BSB,5.1V,4.97-5.18V,500m	
C812	2401-001840	C-AL:100uF,20%,16V,GP,TP,6.3x11,5		DZ206	0403-000551	DIODE-ZENER:MTZ3.9B,3.9V,3.89-4.16V,500m	
C813	2401-002144	C-AL:47uF,20%,16V,GP,TP,5x11,5		DZ207	0403-000563	DIODE-ZENER:MTZ9.1B,9.1V,8.57-9.01V,500m	
△C814	2306-000318	C-FILM,MPPF:220nF,20%,275V,TP,-,22.5mm		DZ208	0403-000563	DIODE-ZENER:MTZ9.1B,9.1V,8.57-9.01V,500m	
C816	2401-000480	C-AL:10uF,20%,50V,GP,TP,5x11,5		DZ301	0403-000660	DIODE-ZENER:MTZ22A,22V,20.15-21.2V,500m/W	
C817	2401-001840	C-AL:100uF,20%,16V,GP,TP,6.3x11,5		DZ302	0403-001039	DIODE-ZENER:MA2560,56V,52-60V,1W,DO-41,T	
C819	2201-000963	C-CERAMIC,DISC:1nF,20%,400V,Y5U,TP,11x8mm		DZ501	0403-000563	DIODE-ZENER:MTZ9.1B,9.1V,8.57-9.01V,500m	
C820	2401-001998	C-AL:1000uF,20%,25V,GP,TP,10x20,5mm		DZ502	0403-000563	DIODE-ZENER:MTZ9.1B,9.1V,8.57-9.01V,500m	
C821	2401-001486	C-AL:47uF,20%,160V,HR,TP,13x20mm,5mm		DZ503	0403-000563	DIODE-ZENER:MTZ9.1B,9.1V,8.57-9.01V,500m	
C822	2301-000192	C-FILM,PEF:1nF,5%,50V,TP,5.3x10mm,5mm		DZ504	0403-000563	DIODE-ZENER:MTZ9.1B,9.1V,8.57-9.01V,500m	
C823	2201-000370	C-CERAMIC,DISC:220pF,10%,50V,Y5P,TP,4.0X		DZ800	1405-000152	VARISTOR:560V,2500A,14x8.5mm,TP	
C851	2401-001571	C-AL:47uF,+20%-0%,50V,GP,TP,8x11,5		△DZ801	1405-000152	VARISTOR:560V,2500A,14x8.5mm,TP	
C852	2301-000310	C-FILM,PEF:68nF,5%,50V,TP,8.0X8.5X4.0X		DZ802	0403-000300	DIODE-ZENER:MTZ8.2B,8.2V,7.78-8.19V,500m	
C901	2401-002144	C-AL:47uF,20%,16V,GP,TP,5x11,5		DZ803	0403-000296	DIODE-ZENER:MTZ5.6B,5.6V,5.45-5.73V,500m	
C902	2202-000796	C-CERAMIC,MLC-AXIAL:1nF,10%,50V,Y5P,TP,3		DZ806	0403-000294	DIODE-ZENER:MTZ4.7B,4.7V,4.55-4.80V,500m	
C903	2401-000480	C-AL:10uF,20%,50V,GP,TP,5x11,5		DZ807	0403-000300	DIODE-ZENER:MTZ8.2B,8.2V,7.78-8.19V,500m	
C904	2202-000796	C-CERAMIC,MLC-AXIAL:1nF,10%,50V,Y5P,TP,3		DZ901	0403-000296	DIODE-ZENER:MTZ5.6B,5.6V,5.45-5.73V,500m	
C906	2201-000662	C-CERAMIC,DISC:7pF,0.3pF,50V,CH,TP,5x3,5		DZ902	0403-000296	DIODE-ZENER:MTZ5.6B,5.6V,5.45-5.73V,500m	
C907	2201-000662	C-CERAMIC,DISC:7pF,0.3pF,50V,CH,TP,5x3,5		DZ904	0403-000296	DIODE-ZENER:MTZ5.6B,5.6V,5.45-5.73V,500m	
C908	2201-000257	C-CERAMIC,DISC:16pF,5%,50V,CH,TP,5x3,5		DZ905	0403-000297	DIODE-ZENER:MTZ6.2B,6.2V,5.96-6.27V,500m	
C909	2201-000257	C-CERAMIC,DISC:16pF,5%,50V,CH,TP,5x3,5		F801	3601-001012	FUSE-FERRULE:250V,4A,SLOW-BLOW,GLASS,5.2	
C911	2401-002144	C-AL:47uF,20%,16V,GP,TP,5x11,5		△F801A	3602-000114	FUSE-HOLDER:-,30mohm	
C912	2301-000246	C-FILM,PEF:33nF,5%,100V,TP,7x5.0x9.5mm,5		F801B	3602-000114	FUSE-HOLDER:-,30mohm	
C913	2202-000796	C-CERAMIC,MLC-AXIAL:1nF,10%,50V,Y5P,TP,3		IC201	1204-001439	IC-VIDEO PROCESS:TDA8841,DIP56P,-,PLAST	
C914A	2401-000947	C-AL:22uF,20%,35V,GP,TP,5x11,5		IC301	1204-000441	IC-IF CIRCUIT:TDA8356,SIP,9P,-,PLASTIC,4	
C915	2202-000127	C-CERAMIC,MLC-AXIAL:10nF,+80-20%,25V,Y5V		IC501	1201-001159	IC-VIDEO AMP:6107,ZIP,9P,300ML,SINGLE,-	
C917	2202-000807	C-CERAMIC,MLC-AXIAL:22nF,+80-20%,25V,Y5P		IC601	1201-001298	IC-POWER AMP:4425,SIP,5P,9.5MIL,MONO,45d	
CC01	2201-000247	C-CERAMIC,DISC:15pF,5%,50V,CH,TP,5x3,5		IC602	1201-001298	IC-POWER AMP:4425,SIP,5P,9.5MIL,MONO,45d	
CC02	2201-000258	C-CERAMIC,DISC:17pF,5%,50V,CH,TP,5x3,5		△IC801	1203-001494	IC-PWM CONTROLLER:3S0680RF,TO3PF-5L,5,21	
CLAMP/F	AA65-30109A	CLAMP-FBT:NYLON-66,V2,BLK,-,-,		IC802	1203-001531	IC-POSIFIXED REG.:7630,SIP,10P,-,PLASTI	
CLAMP/W	AA65-30104C	CLAMP-WIRE:NYLON 66,V2,NTR,W1 Z4,ALL MOD		IC901	AA13-30020Y	IC-MCU:SAMSUNG,KS88P8324-OTP8Bit,SDI	
CN501	AA39-20109B	LEAD-CONNECTOR,ASSY:-,YBNH025-08,S,8P50		IC902	1103-001107	IC-EEPROM:24C020,2Kx1BIT,DIP,8P,300MIL,1	
CN601	3711-002643	CONNECTOR-HEADER:BOX,4P,1R,2.5MM,STRAIGH		JA701	3722-000162	JACK-PIN:2P,3.4mm,SN,BLK,-	
CN701	3711-002646	CONNECTOR-HEADER:BOX,7P,1R,2.5MM,STRAIGH		L102	2701-000207	INDUCTOR-AXIAL:56uH,5%,2.5x3.4mm	
△CN802	AA27-20003X	COIL-DEGAUSSING:-,20,14.0ohm,48T,L2170,		L152	2701-000101	INDUCTOR-AXIAL:1.2uH,10%,2.5x3.4mm	
CU10	2401-000832	C-AL:220uF,20%,25V,GP,TP,8x11,5,5		L201	2701-000114	INDUCTOR-AXIAL:10uH,10%,2.5x3.4mm	
D101	0403-000700	DIODE-ZENER:TZP33A,33V,31-35V,1W,DO-41,T		L206	2701-000114	INDUCTOR-AXIAL:10uH,10%,2.5x3.4mm	
D102	0403-000296	DIODE-ZENER:MTZ5.6B,5.6V,5.45-5.73V,500m		L301	2701-000115	INDUCTOR-AXIAL:10uH,10%,2.8x7mm	
D201	0401-000005	DIODE-SWITCHING:1N4148,75V,300mA,DO-35,T		L302	2701-000114	INDUCTOR-AXIAL:10uH,10%,2.5x3.4mm	
D202	0401-000005	DIODE-SWITCHING:1N4148,75V,300mA,DO-35,T		L303	2701-000114	INDUCTOR-AXIAL:10uH,10%,2.5x3.4mm	
D209	0401-000005	DIODE-SWITCHING:1N4148,75V,300mA,DO-35,T		L304	2701-000159	INDUCTOR-AXIAL:22uH,10%,4.2x9.8mm	
D210	0401-000005	DIODE-SWITCHING:1N4148,75V,300mA,DO-35,T		L305	2701-000116	INDUCTOR-AXIAL:10uH,10%,4.2x9.8mm	
D301	0402-000132	DIODE-RECTIFIER:1N4004,400V,1A,DO-41,TP		L401	AA27-30001B	COIL-LINEARITY:-,195UH,QIC1010,PIO.4,4.5	
D401	0402-000132	DIODE-RECTIFIER:1N4004,400V,1A,DO-41,TP		△L402	2701-001032	INDUCTOR-AXIAL:100uH,10%,5x14mm	
D402	0402-000132	DIODE-RECTIFIER:1N4004,400V,1A,DO-41,TP		△L601	2701-000158	INDUCTOR-AXIAL:22uH,10%,2.5x3.4mm	
D403	0402-001105	DIODE-RECTIFIER:ERB43-04SV1,400V,1.0A,-,-,		L801	AA29-30001D	FILTER-LINE:-,6.0mH,2A,-,SQ1913	
D404	0402-000534	DIODE-RECTIFIER:RG10V,400V,1.2A,DO-201,T		L802	3301-000287	CORE-FERRITE BEAD:AA,3.5x1x6mm,1500,2400	
D405	0402-000546	DIODE-RECTIFIER:TVR10G,400V,1.0A,DO-41,T		L803	2901-000299	FILTER-EMI ON BOARD:-,6A,UL/CSA,-,9x7.5,	
D407	0402-001105	DIODE-RECTIFIER:ERB43-04SV1,400V,1.0A,-,-,		L804	3301-000287	CORE-FERRITE BEAD:AA,3.5x1x6mm,1500,2400	
D501	0402-000216	DIODE-RECTIFIER:ERC24-06,600V,1.0A,DO-20		L809	2901-000299	FILTER-EMI ON BOARD:-,6A,UL/CSA,-,9x7.5,	
D502	0402-000546	DIODE-RECTIFIER:TVR10G,400V,1.0A,DO-41,T		L810	2701-001032	INDUCTOR-AXIAL:100uH,10%,5x14mm	
D503	0402-000546	DIODE-RECTIFIER:TVR10G,400V,1.0A,DO-41,T		L811	2901-000299	FILTER-EMI ON BOARD:-,6A,UL/CSA,-,9x7.5,	
D504	0402-000546	DIODE-RECTIFIER:TVR10G,400V,1.0A,DO-41,T		L901	2701-000197	INDUCTOR-AXIAL:5.6uH,10%,2.5x3.4mm	
D601	0401-000005	DIODE-SWITCHING:1N4148,75V,300mA,DO-35,T		L902	2701-000114	INDUCTOR-AXIAL:10uH,10%,2.5x3.4mm	
D802	0402-000540	DIODE-RECTIFIER:RU20A,600V,1.5A,-,TP		LD901	AA96-30001C	ASSY-LED,GUIDE:-,AA61-50055A,DL-G7RA,-	
D803	0402-000546	DIODE-RECTIFIER:TVR10G,400V,1.0A,DO-41,T		LWU01	2701-000177	INDUCTOR-AXIAL:33UH,10%,2.5X3.4MM	
D805	0402-000213	DIODE-RECTIFIER:ERB12-06,600V,1.0A,DO-41		NTR801	1404-000187	THERMISTOR-NTC:4.7ohm,15%,2800K,27.2mW/C	
D806	0401-000005	DIODE-SWITCHING:1N4148,75V,300mA,DO-35,T		△P801	1404-001087	THERMISTOR-PTC:7ohm,30%,220V,270V,19A,-,	

Loc. No.	Code No.	Description ; Specification	Remark
△ Q151	0604-001038	PHOTO-COUPLER:TR,130-260%,200mW,DIP,4,ST	
Q201	0501-000436	TR-SMALL SIGNAL:KTC3197,NPN,625mW,TO-92,	
Q202	0501-000389	TR-SMALL SIGNAL:KSC815,NPN,400mW,TO-92,T	
Q205	0501-000389	TR-SMALL SIGNAL:KSC815,NPN,400mW,TO-92,T	
△ Q401	0502-001115	TR-POWER:KSC5386,NPN,50W,TO-3PF,ST,8-	
Q402	0501-000369	TR-SMALL SIGNAL:KSC2331-Y,NPN,1W,TO-92L,	
Q601	0502-000242	TR-POWER:KSA614,PNP,25W,TO-220,TP,40-24	
Q602	0501-000389	TR-SMALL SIGNAL:KSC815,NPN,400mW,TO-92,T	
Q801	1203-001217	IC-POSITIVE ADJUST REG.:431,TO-92,3P,4.58MIL	
Q902	0501-000389	TR-SMALL SIGNAL:KSC815,NPN,400mW,TO-92,T	
QC01	0504-000123	TR-DIGITAL:KSR1010,NPN,300mW,10K,TO-92,T	
QC02	0504-000123	TR-DIGITAL:KSR1010,NPN,300mW,10K,TO-92,T	
QU10	0501-000369	TR-SMALL SIGNAL:KSC2331-Y,NPN,1W,TO-92L,	
R101	2001-000221	R-CARBON:1.2Kohm,5%,1/8W,AA,TP,1.8x3.2m	
R102	2001-000660	R-CARBON:33Kohm,5%,1/8W,AA,TP,1.8x3.2mm	
R103	2001-000947	R-CARBON:7.5Kohm,5%,1/8W,AA,TP,1.8x3.2m	
R104	2003-000502	R-METAL OXIDE(S):150ohm,5%,2W,AA,TP,4x12	
R105	2003-000502	R-METAL OXIDE(S):150ohm,5%,2W,AA,TP,4x12	
R106	2003-000664	R-METAL OXIDE(S):33ohm,5%,2W,AF,TP,4x12m	
R152	2001-000221	R-CARBON:1.2Kohm,5%,1/8W,AA,TP,1.8x3.2m	
R153	2001-000734	R-CARBON:4.7Kohm,5%,1/8W,AA,TP,1.8x3.2m	
R154	2001-000515	R-CARBON:220ohm,5%,1/8W,AA,TP,1.8x3.2mm	
R155	2001-000362	R-CARBON:150ohm,5%,1/8W,AA,TP,1.8x3.2mm	
R156	2001-000666	R-CARBON:33ohm,5%,1/8W,AA,TP,1.8x3.2mm	
R157	2001-000793	R-CARBON:47ohm,5%,1/8W,AA,TP,1.8x3.2mm	
R158	2001-000007	R-CARBON:3Kohm,5%,1/8W,AA,TP,1.8x3.2mm	
R159	2001-000007	R-CARBON:3Kohm,5%,1/8W,AA,TP,1.8x3.2mm	
R200	2001-000780	R-CARBON:470ohm,5%,1/8W,AA,TP,1.8x3.2mm	
R201	2001-000005	R-CARBON:390ohm,5%,1/8W,AA,TP,1.8x3.2mm	
R202	2001-000281	R-CARBON:100ohm,5%,1/8W,AA,TP,1.8x3.2mm	
R203	2001-000281	R-CARBON:100ohm,5%,1/8W,AA,TP,1.8x3.2mm	
R207	2001-000008	R-CARBON:15Kohm,5%,1/8W,AA,TP,1.8x3.2mm	
R208	2001-000674	R-CARBON:360ohm,5%,1/8W,AA,TP,1.8x3.2mm	
R209	2001-000016	R-CARBON(S):1ohm,5%,1/2W,AA,TP,2.4x6.4mm	
R210	2001-000429	R-CARBON:1Kohm,5%,1/8W,AA,TP,1.8x3.2mm	
R212	2001-000003	R-CARBON:330ohm,5%,1/8W,AA,TP,1.8x3.2mm	
R213	2001-000003	R-CARBON:330ohm,5%,1/8W,AA,TP,1.8x3.2mm	
R214	2001-000003	R-CARBON:330ohm,5%,1/8W,AA,TP,1.8x3.2mm	
R215	2001-000273	R-CARBON:100Kohm,5%,1/8W,AA,TP,1.8x3.2m	
R218	2001-000591	R-CARBON:3.3Kohm,5%,1/8W,AA,TP,1.8x3.2m	
R219	2001-000008	R-CARBON:15Kohm,5%,1/8W,AA,TP,1.8x3.2mm	
R224	2001-000563	R-CARBON:27Kohm,5%,1/8W,AA,TP,1.8x3.2mm	
R225	2001-000515	R-CARBON:220ohm,5%,1/8W,AA,TP,1.8x3.2mm	
R226	2001-000281	R-CARBON:100ohm,5%,1/8W,AA,TP,1.8x3.2mm	
R227	2004-001234	R-METAL:75Kohm,5%,1/8W,AA,TP,1.8x3.2mm	
R230	2001-000890	R-CARBON:6.8Kohm,5%,1/8W,AA,TP,1.8x3.2m	
R231	2001-000563	R-CARBON:27Kohm,5%,1/8W,AA,TP,1.8x3.2mm	
R232	2001-000356	R-CARBON:150Kohm,5%,1/8W,AA,TP,1.8x3.2m	
R234	2001-000281	R-CARBON:100ohm,5%,1/8W,AA,TP,1.8x3.2mm	
R235	2001-000633	R-CARBON:30Kohm,5%,1/8W,AA,TP,1.8x3.2mm	
R236	2003-000634	R-METAL OXIDE(S):3.9Kohm,5%,1W,AA,TP,3.3	
R237	2001-000793	R-CARBON:47ohm,5%,1/8W,AA,TP,1.8x3.2mm	
R240	2001-000577	R-CARBON:2Kohm,5%,1/8W,AA,TP,1.8x3.2mm	
R243	2001-000343	R-CARBON:130ohm,5%,1/8W,AA,TP,1.8x3.2mm	
R244	2001-000780	R-CARBON:470ohm,5%,1/8W,AA,TP,1.8x3.2mm	
R245	2001-000832	R-CARBON:510ohm,5%,1/8W,AA,TP,1.8x3.2mm	
R246	2001-000613	R-CARBON:3.9Kohm,5%,1/8W,AA,TP,1.8x3.2m	
R247	2001-000290	R-CARBON:10Kohm,5%,1/8W,AA,TP,1.8x3.2mm	
R252	2004-001914	R-METAL:39Kohm,2%,1/8W,AA,TP,1.8x3.5mm	
R258	2001-000449	R-CARBON:2.2Kohm,5%,1/8W,AA,TP,1.8x3.2m	
R262	2001-000429	R-CARBON:1Kohm,5%,1/8W,AA,TP,1.8x3.2mm	
R301	2004-000869	R-METAL:3Kohm,1%,1/8W,AA,TP,1.8x3.2mm	
R302	2008-001033	R-FUSIBLE(S):10ohm,5%,2W,AF,TP,3.9x10mm	
R303	2001-000085	R-CARBON(S):100Kohm,5%,1/2W,AA,TP,2.4x6.	
R305	2004-004087	R-METAL(S):1.5ohm,1%,1/2W,AA,TP,2.5x6.5m	
R306	2008-000254	R-FUSIBLE(S):0.68ohm,5%,2W,AF,TP,3.9x10m	
R307	2003-000652	R-METAL OXIDE(S):330ohm,5%,2W,AF,TP,4x12	
R403	2001-001114	R-CARBON(S):270ohm,5%,1/2W,AA,TP,2.4x6.4	
R404	2001-001136	R-CARBON(S):36ohm,5%,1/2W,AA,TP,2.4x6.4m	
R405	2003-000784	R-METAL OXIDE(S):7.5Kohm,5%,2W,AF,TP,4x1	
R406	2003-000455	R-METAL OXIDE(S):100ohm,5%,2W,AA,TP,4x12	
R407	2003-000994	R-METAL OXIDE(S):33Kohm,5%,2W,AF,TP,3.9x	
R408	2004-001390	R-METAL(S):1Kohm,2%,1/2W,AA,TP,2.4x6.4mm	
R409	2008-000206	R-FUSIBLE(S):1ohm,5%,1/2W,AF,TP,2.5x6.5m	
R410	2008-000204	R-FUSIBLE(S):0.22ohm,10%,1/2W,AF,TP,2.5x	
R413	2001-001037	R-CARBON(S):0.39ohm,5%,1/2W,AA,TP,2.4x6.	

Loc. No.	Code No.	Description ; Specification	Remark
R415	2003-000540	R-METAL OXIDE(S):1Kohm,5%,2W,AF,TP,4x12m	
R416	2001-000022	R-CARBON(S):33ohm,5%,1/2W,AA,TP,2.4x6.4m	
R417	2001-000028	R-CARBON(S):100ohm,5%,1/2W,AA,TP,2.4x6.4	
R418	2008-000277	R-FUSIBLE:68ohm,5%,1/2W,AA,TP,4.7x11mm	
R419	2008-000264	R-FUSIBLE(S):1ohm,5%,1W,AF,TP,3.9x10mm	
R420	2004-001377	R-METAL(S):120Kohm,1%,1/2W,AA,TP,2.4x6.4	
R501H	2002-001008	R-COMPOSITION:1.8Kohm,5%,1/2W,AA,TP,3.7x	
R502H	2002-001008	R-COMPOSITION:1.8Kohm,5%,1/2W,AA,TP,3.7x	
R503	2002-001008	R-COMPOSITION:1.8Kohm,5%,1/2W,AA,TP,3.7x	
R504	2001-001062	R-CARBON(S):10Mohm,5%,1/2W,AA,TP,2.4x6.4	
R505	2008-000264	R-FUSIBLE(S):1ohm,5%,1W,AF,TP,3.9x10mm	
R510	2001-000281	R-CARBON:100ohm,5%,1/8W,AA,TP,1.8x3.2mm	
R511	2001-000281	R-CARBON:100ohm,5%,1/8W,AA,TP,1.8x3.2mm	
R512	2001-000281	R-CARBON:100ohm,5%,1/8W,AA,TP,1.8x3.2mm	
R602	2001-000786	R-CARBON:47Kohm,5%,1/8W,AA,TP,1.8x3.2mm	
R603	2001-000864	R-CARBON:56Kohm,5%,1/8W,AA,TP,1.8x3.2mm	
R604	2001-000577	R-CARBON:2Kohm,5%,1/8W,AA,TP,1.8x3.2mm	
R605	2001-000290	R-CARBON:10Kohm,5%,1/8W,AA,TP,1.8x3.2mm	
R614	2001-001152	R-CARBON(S):47Kohm,5%,1/2W,AA,TP,2.4x6.4	
R615	2001-001088	R-CARBON(S):1Kohm,5%,1/2W,AA,TP,2.4x6.4m	
R701	2001-001187	R-CARBON(S):75ohm,5%,1/2W,AA,TP,2.4x6.4m	
R702	2001-000085	R-CARBON(S):100Kohm,5%,1/2W,AA,TP,2.4x6.	
R703	2001-000515	R-CARBON:220ohm,5%,1/8W,AA,TP,1.8x3.2mm	
R801	2001-001150	R-CARBON(S):470Kohm,5%,1/2W,AA,TP,2.4x6.	
R802	2003-000994	R-METAL OXIDE(S):33Kohm,5%,2W,AF,TP,3.9x	
R803	2003-000994	R-METAL OXIDE(S):33Kohm,5%,2W,AF,TP,3.9x	
R805	2002-001012	R-COMPOSITION:8.2Mohm,10%,1/2W,AA,TP,3.7	
R806	2001-001071	R-CARBON(S):12Kohm,5%,1/2W,AA,TP,2.4x6.4	
R807	2001-001071	R-CARBON(S):12Kohm,5%,1/2W,AA,TP,2.4x6.4	
R808	2001-001150	R-CARBON(S):470Kohm,5%,1/2W,AA,TP,2.4x6.	
R809	2008-000205	R-FUSIBLE(S):10ohm,5%,1/2W,AF,TP,2.5x6.5	
R810	2001-001170	R-CARBON(S):6.8ohm,5%,1/2W,AA,TP,2.4x6.4	
R812	2008-000264	R-FUSIBLE(S):1ohm,5%,1W,AF,TP,3.9x10mm	
R816	2001-001134	R-CARBON(S):360ohm,5%,1/2W,AA,BK,2.4x6.4	
R817	2001-001134	R-CARBON(S):360ohm,5%,1/2W,AA,BK,2.4x6.4	
R818	2001-001134	R-CARBON(S):360ohm,5%,1/2W,AA,BK,2.4x6.4	
R819	2008-001011	R-FUSIBLE(S):0.18ohm,10%,2W,AF,TP,3.9x10	
R821	2004-004089	R-METAL:123Kohm,1%,1/2W,AA,TP,2.5x6.5m	
R822	2001-000022	R-CARBON(S):33ohm,5%,1/2W,AA,TP,2.4x6.4m	
R823	2001-001178	R-CARBON(S):680ohm,5%,1/2W,AA,TP,2.4x6.4	
R824	2001-001125	R-CARBON(S):300Kohm,5%,1/2W,AA,TP,2.4x6.	
R852	2001-001088	R-CARBON(S):1Kohm,5%,1/2W,AA,TP,2.4x6.4m	
R853	2001-001054	R-CARBON(S):1.6Kohm,5%,1/2W,AA,TP,2.4x6.	
R854	2004-001983	R-METAL:2.49Kohm,1%,1/2W,AA,TP,2.4x6.4	
R901	2001-000793	R-CARBON:47ohm,5%,1/8W,AA,TP,1.8x3.2mm	
R902	2001-000429	R-CARBON:1Kohm,5%,1/8W,AA,TP,1.8x3.2mm	
R903	2001-000281	R-CARBON:100ohm,5%,1/8W,AA,TP,1.8x3.2mm	
R904	2001-000281	R-CARBON:100ohm,5%,1/8W,AA,TP,1.8x3.2mm	
R905	2001-000241	R-CARBON:1.5Kohm,5%,1/8W,AA,TP,1.8x3.2m	
R906	2004-000187	R-METAL:10.5Kohm,1%,1/4W,AA,TP,2.4x6.4	
R907	2001-000007	R-CARBON:3Kohm,5%,1/8W,AA,TP,1.8x3.2mm	
R908	2001-000006	R-CARBON:2.4Kohm,5%,1/8W,AA,TP,1.8x3.2m	
R909	2001-000613	R-CARBON:3.9Kohm,5%,1/8W,AA,TP,1.8x3.2mm	
R910	2004-001126	R-METAL:6.2Kohm,1%,1/8W,AA,TP,1.8x3.2m	
R911	2001-000290	R-CARBON:10Kohm,5%,1/8W,AA,TP,1.8x3.2mm	
R913	2001-000924	R-CARBON:680ohm,5%,1/8W,AA,TP,1.8x3.2mm	
R914	2001-000429	R-CARBON:1Kohm,5%,1/8W,AA,TP,1.8x3.2mm	
R915	2001-000577	R-CARBON:2Kohm,5%,1/8W,AA,TP,1.8x3.2mm	
R916	2001-000281	R-CARBON:100ohm,5%,1/8W,AA,TP,1.8x3.2mm	
R917	2001-000281	R-CARBON:100ohm,5%,1/8W,AA,TP,1.8x3.2mm	
R918	2001-000281	R-CARBON:100ohm,5%,1/8W,AA,TP,1.8x3.2mm	
R919	2001-000281	R-CARBON:100ohm,5%,1/8W,AA,TP,1.8x3.2mm	
R921	2001-000429	R-CARBON:1Kohm,5%,1/8W,AA,TP,1.8x3.2mm	
R922	2001-000281	R-CARBON:100ohm,5%,1/8W,AA,TP,1.8x3.2mm	
R923	2001-000281	R-CARBON:100ohm,5%,1/8W,AA,TP,1.8x3.2mm	
R924	2001-000449	R-CARBON:2.2Kohm,5%,1/8W,AA,TP,1.8x3.2m	
R925	2001-000449	R-CARBON:2.2Kohm,5%,1/8W,AA,TP,1.8x3.2m	
R926	2001-000449	R-CARBON:2.2Kohm,5%,1/8W,AA,TP,1.8x3.2m	
R927	2001-000290	R-CARBON:10Kohm,5%,1/8W,AA,TP,1.8x3.2mm	
R928	2001-000864	R-CARBON:56Kohm,5%,1/8W,AA,TP,1.8x3.2mm	
R930	2001-000290	R-CARBON:10Kohm,5%,1/8W,AA,TP,1.8x3.2mm	
R931	2001-000429	R-CARBON:1Kohm,5%,1/8W,AA,TP,1.8x3.2mm	
R937	2001-000734	R-CARBON:4.7Kohm,5%,1/8W,AA,TP,1.8x3.2m	
R940	2001-000591	R-CARBON:3.3Kohm,5%,1/8W,AA,TP,1.8x3.2m	
R941	2001-000723	R-CARBON:4.3Kohm,5%,1/8W,AA,TP,1.8x3.2m	
R942	2001-000723	R-CARBON:4.3Kohm,5%,1/8W,AA,TP,1.8x3.2m	
R951	2001-000723	R-CARBON:4.3Kohm,5%,1/8W,AA,TP,1.8x3.2m	

Loc. No.	Code No.	Description ; Specification	Remark	Loc. No.	Code No.	Description ; Specification	Remark
R988	2001-000397	R-CARBON;180Kohm,5%,1/8W,AA,TP,1.8x3.2mm			AA61-20055A	HOLDER-LEG;-;33.50.5385,HIPS,HB,BLK,GOLD	
RC01	2001-000290	R-CARBON;10Kohm,5%,1/8W,AA,TP,1.8x3.2mm			AA64-40181A	INDICATOR-LED;-;33.50.5385,-,ACRYL,-,-,-	
RC02	2001-000290	R-CARBON;10Kohm,5%,1/8W,AA,TP,1.8x3.2mm			AA64-601610	INLAY-AV;V-MODEL,NTSC TVI EG,PS,TO.3,BL	
RJ05	2002-001010	R-COMPOSITION;1.8Mohm,10%,1/2W,AA,TP,3.7			AA64-10007A	KNOB-CONTROL;-;5085,-,ABS,HB,BLK	
RLU01	3501-001040	RELAY-POWER;12VDC,500mW,10A,1FormA,15mS,			AA64-10183B	KNOB-POWER,M;-;33.5085,SILK,ABS,HB,BLK	
RM901	AA59-60001U	MODULE-REMOCON;-;ORC-50VF/SR-12V,38KHz,9		CRT+CF	AA60-10050R	SCREW-ASSY;WC,HH,+;M5,L31.5,SWRCH18A,ZPC	
RU11	2001-000290	R-CARBON;10Kohm,5%,1/8W,AA,TP,1.8x3.2mm		CB+CF	6002-000514	SCREW-TAPPING;RH,+;2,M4,L15,ZPC(BLK),SWR	
RU12	2001-000734	R-CARBON;4.7Kohm,5%,1/8W,AA,TP,1.8x3.2m		CB+RCA	6002-000514	SCREW-TAPPING;RH,+;2,M4,L15,ZPC(BLK),SWR	
RU13	2001-000022	R-CARBON(S);33ohm,5%,1/2W,AA,TP,2.4x6.4m		LEG+CF	6002-000514	SCREW-TAPPING;RH,+;2,M4,L15,ZPC(BLK),SWR	
SF101	2904-000286	FILTER-SAW AV;45.75MHz,SIP5P,ST,11.7dB,N		PA+CF	AA60-10002A	SCREW-TAPPING;RH,+;M4,L12,ZPC(YEL)-,OD1	
SW801	3403-001020	SWITCH-PUSH;250V,5A,DPST,OFF-ON-OFF		KNPOMA	AA61-60003T	SPRING-CS;-;SUS304,0.5,OD7,H13.5,N5,-,-,-	
SW901	3404-000244	SWITCH-TACT;15V,20mA,90-170gf,7.5x7mm,SP			AA64-40036A	WINDOW-REMOCON;-;5085,-,PC,-,-,-	
SW902	3404-000244	SWITCH-TACT;15V,20mA,90-170gf,7.5x7mm,SP					
SW903	3404-000244	SWITCH-TACT;15V,20mA,90-170gf,7.5x7mm,SP					
SW904	3404-000244	SWITCH-TACT;15V,20mA,90-170gf,7.5x7mm,SP					
SW905	3404-000244	SWITCH-TACT;15V,20mA,90-170gf,7.5x7mm,SP					
T401	AA26-50001B	HORIZ.DRIVE;-;7.1MH,102UH,10-20UH,YL081,		*	AA96-10137A	ASSY-SPEAKER;-;8ohm,3W,000191,AA3920505M	
T444	AA26-30001Y	TRANS-FLYBACK;-;FSV-20A001,20,125V					
T801	AA26-20006U	TRANS-SWITCHING;-;90-260V,125V/12.5V,EN,			3001-000191	SPEAKER;3W,8ohm,90dB,180Hz	
TU01	AA40-10005Y	TUNER-F/S;TECC1970PG26A(S),NTSC/USA,TR,1			AA39-20505M	LEAD CONNECTOR-ASSY;-;YSH025-04,REC,4P,3	
V999	3704-001090	SOCKET-CRT;9P;15.24PI,26.5PI,SN,-					
X203	2801-003298	CRYSTAL-UNIT;3.579545MHz,30ppm,28-AAM,20					
X901	2801-000724	CRYSTAL-UNIT;6MHz,50ppm,28-AAM,20P,40oh					
XC01	2801-003300	CRYSTAL-UNIT;3.575611MHz,30ppm,28-AAM,20					
XC02	2801-003299	CRYSTAL-UNIT;3.582056MHz,30ppm,28-AAM,20					
Z201	2903-001022	FILTER-CERAMIC;TR,4.5MHz,-,0.5dB,-,TP,-					
Z601	2903-000135	FILTER-CERAMIC;BP,4.5MHz,+60KHz,6dB,-,T					

ASSY-SPEAKER

ASSY-ACCESSORY

AA42-10001V ANT-ROD;-;3S,620mm,BRN,UL/CSA
 AA68-11321A MANUAL-USERS;K15B,POR,TM59,205X150,W/P 1
 AA68-11320A MANUAL-USERS;K15B,SPA,TM59,205X150,W/P 1
 3721-000136 PLUG-CONVERSION;2P;4.0mm,N,NI
 AA26-90001C TRANS-MATCHING;-;300ohm/75ohm,PAL,40-890

ASSY-CRT

* AA94-50020M ASSY-CRT;A48KR82X(HB),0MG,20,BARE,CT5

AA03-10030L CRT-COLOR;-;A48KR82X(HB),0mG,20,90deg,
 AA27-50004W DEFLECTION-YOKE;-;DSE-1992LL(1H),20/A48
 AA27-60001D MAGNET-CONVERGENCE;-;JH-291-(JH-8210),29
 AA63-60028A SPACER-DY;NEOPRENE,-,BLK,VO W12,-,-

ASSY-PCB,A/V FRONT

* AA95-90030M ASSY-PCB,A/V FRONT;-;CT-2139H,KCT15A,NTS

JA703 3722-000506 JACK-RCA;2P;3.6MM,-,AG
 CN704* AA39-20070E LEAD-CONNECTOR,ASSY;-;YBNH025-07,67906-0
 01LOT AA41-10350B PCB-A/V;K1,1,FR-1,51x23x1.6T,-,-

ASSY-POWER,CORD

AA39-10006X POWER-CORD;-;KKP419C,KLCE-2F,2,286MT,3P,
 AA61-20284A HOLDER;-;P-CORD,PP,VO,BLK,KE-002

REMOCON

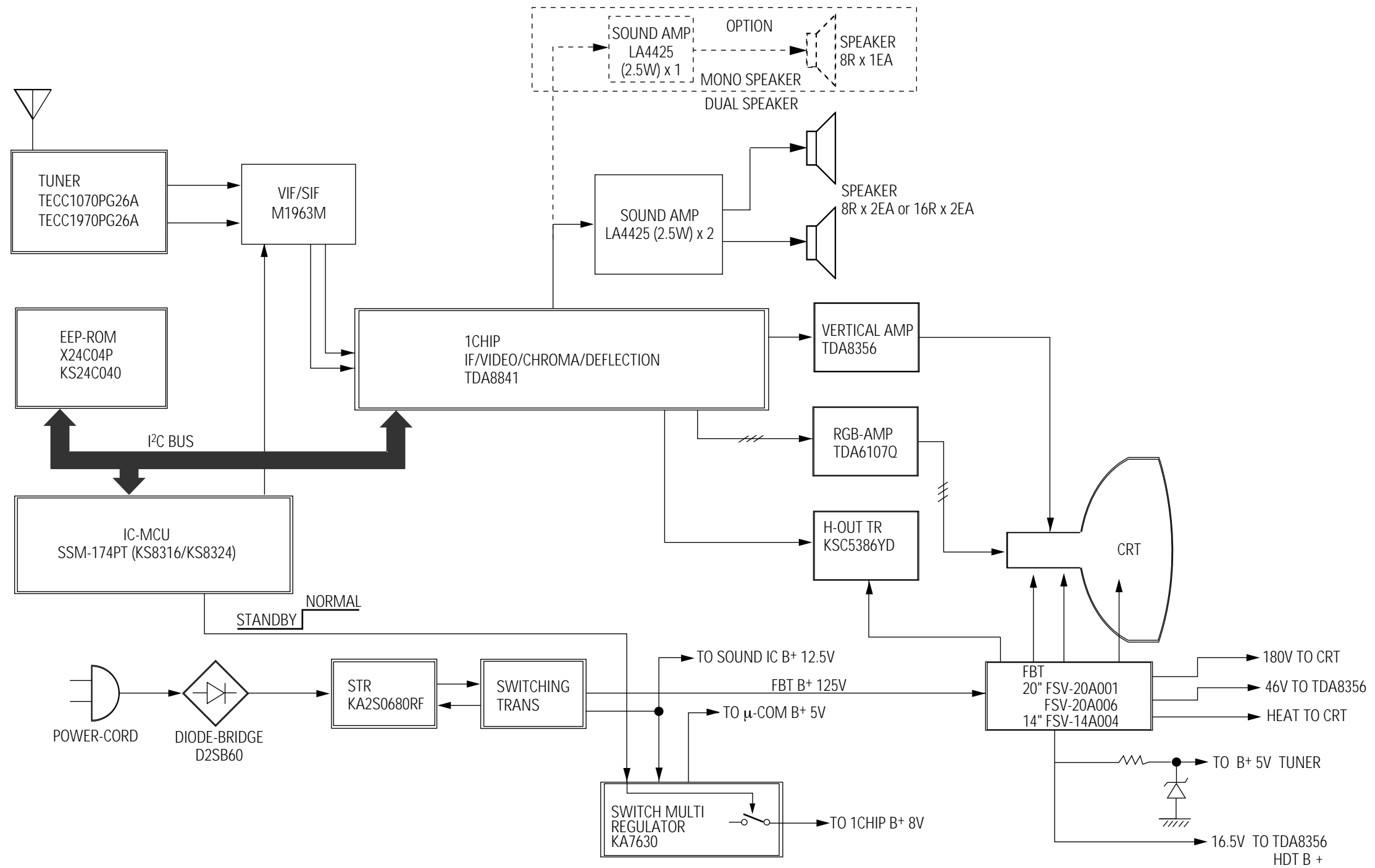
* AA59-10107E REMOCON;-;TM59,SS,SSM174PT,27,-,-,L/GR

ASSY-CABINET,FRONT

* AA91-10345X ASSY-CABINET,FRONT;-;CN5085BZ,BK708P,HB,
 AA64-70010D BADGE-BRAND;AL,SS R2000 25,GOLD,L50,-,-,
 AA64-30713A CABINET-BACK;-;5085,-,HIPS,HB,BLK,-,-
 AA64-31143U CABINET-FRONT;-;CN5085BZ,BK708P SGHB,HIP
 AA65-30008A CLAMP-CORD;PE,HB,BLK,-,-,-
 AA65-30107A CLAMP-D,COIL;NYLON 66,V2,NTR,-,20-22 INC
 AA65-30105A CLAMP-WIRE;NYLON 66,V2,NTR,15MM,ALL MODE
 AA63-50049A GRILLE-WOOFER;-;5085,PA110 GOJUPA,SECC,T

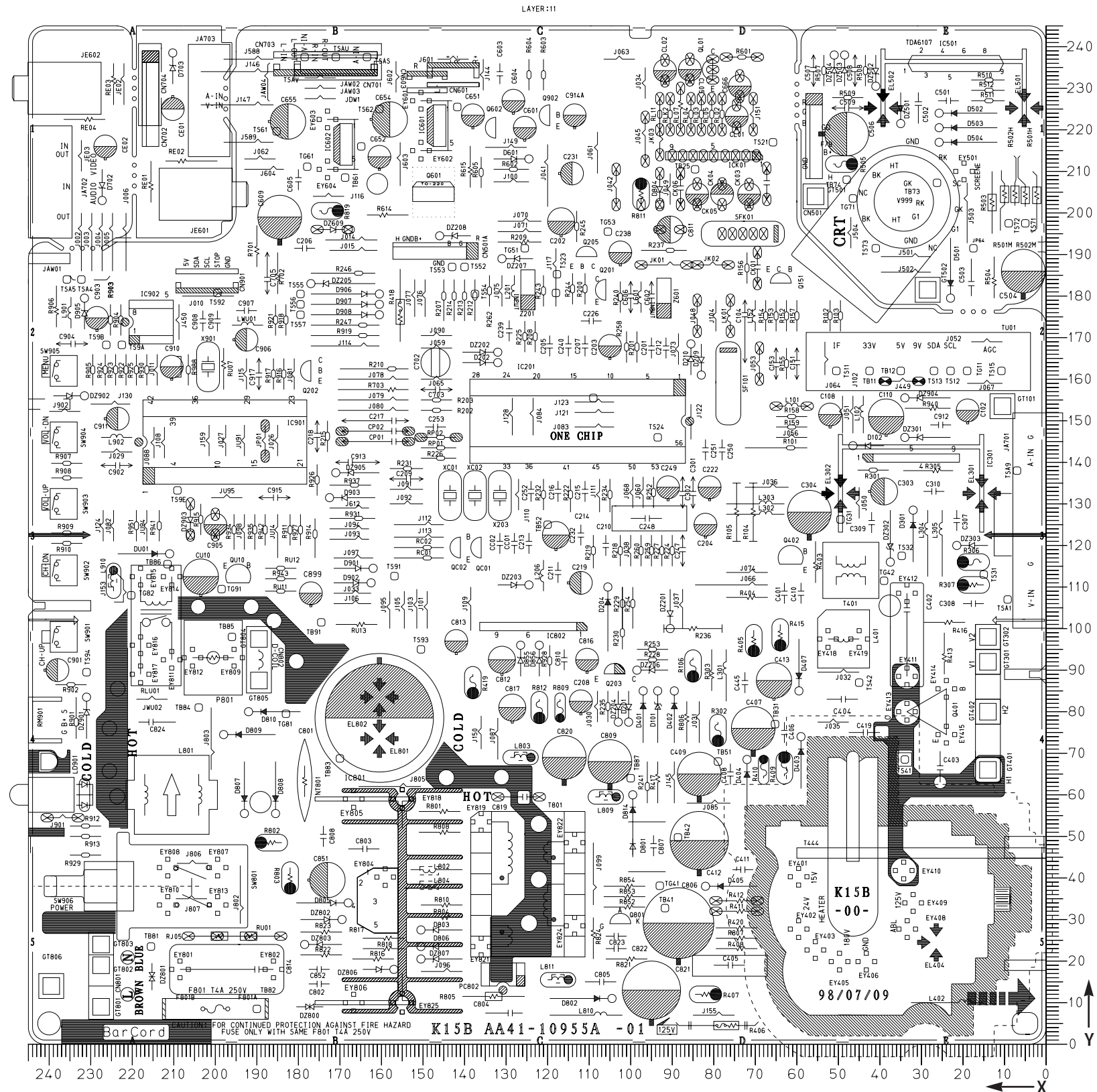
8. Block Diagram

8-1 K15B



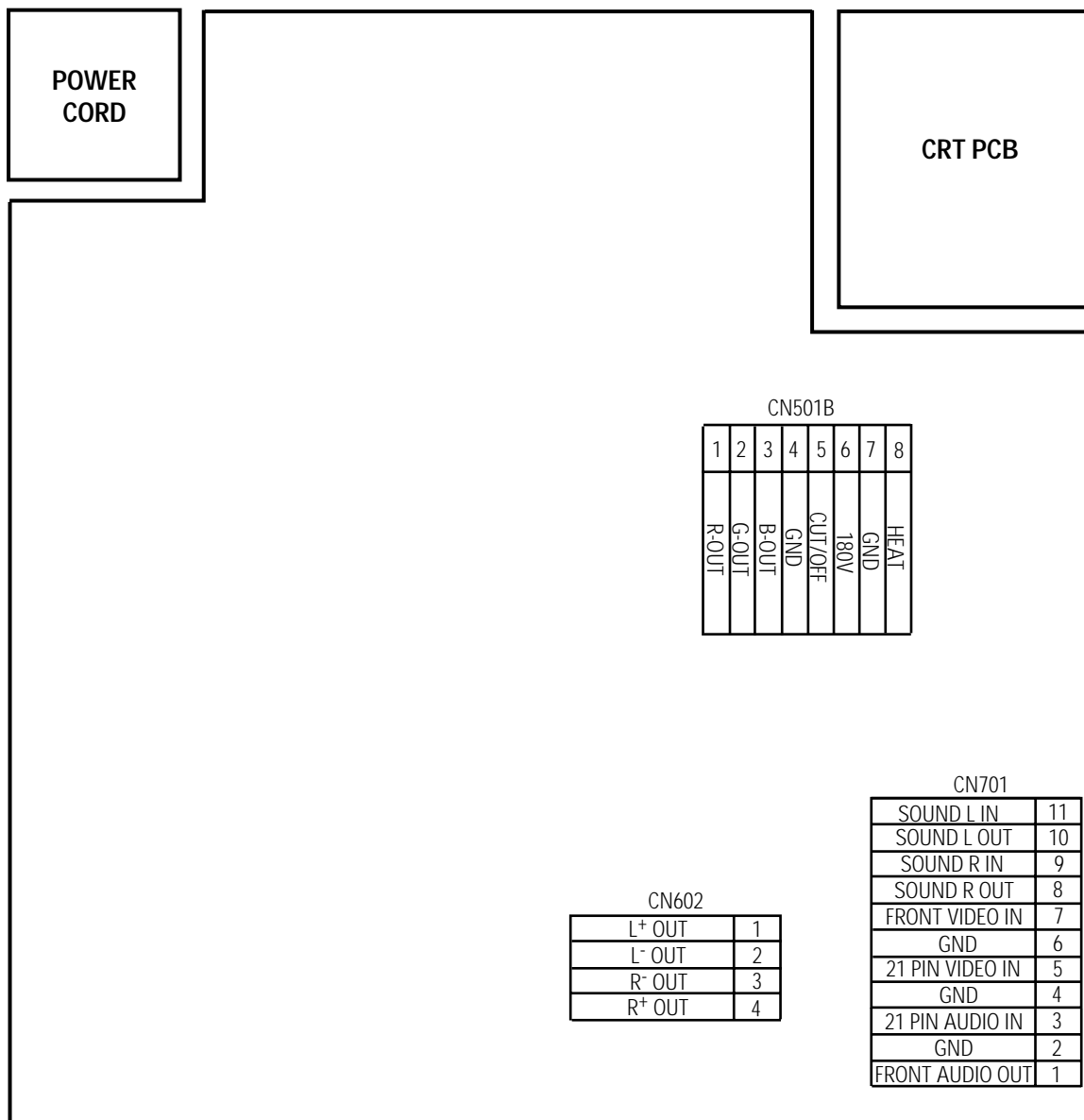
10. PCB Layout

10-1 PCB Main



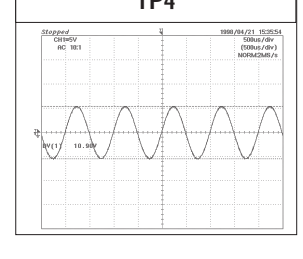
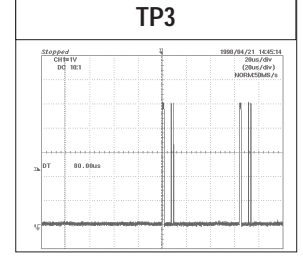
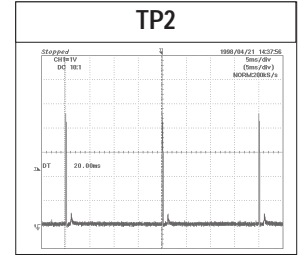
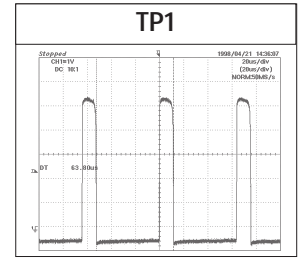
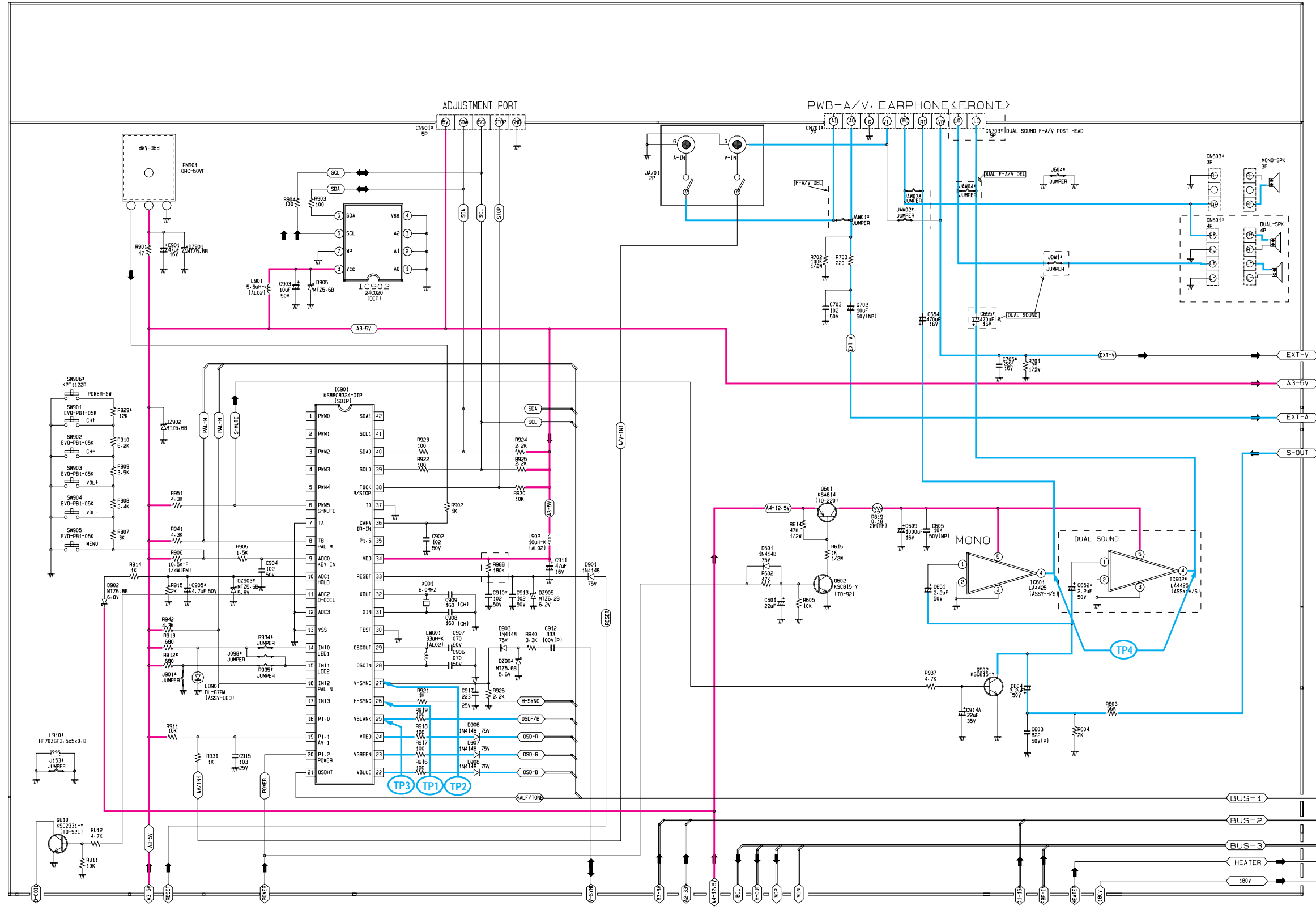
Loc. No.	X	Y	Loc. No.	X	Y
DIODE					
D101	93	85	DZ502	41	230
D102	46	144	DZ503	48	238
D201	100	77	DZ504	51	238
D202	132	164	DZ609	168	196
D204	105	110	DZ800	173	9
D209	83	161	DZ801	215	20
D210	85	168	DZ802	169	30
D301	32	128	DZ803	178	24
D401	97	85	DZ806	157	18
D402	89	85	DZ807	150	20
D403	59	74	DZ901	231	83
D404	72	68	DZ902	231	156
D405	82	38	DZ903	206	122
D407	59	85	DZ904	34	155
D501	23	179	DZ905	171	137
D502	25	224	IC		
D503	25	220	IC201	88	141
D504	25	217	IC301	49	132
D601	124	213	IC501	39	225
D702	227	203	IC601	146	225
D703	210	238	IC602	168	220
D801	99	50	IC801	155	10
D802	104	11	IC802	112	100
D803	150	27	IC901	215	153
D804	93	202	IC902	219	178
D805	168	34	ICK01	69	213
D806	150	23	TRANSISTOR		
D807	193	55	Q151	61	183
D808	185	55	Q201	106	184
D809	198	74	Q202	177	164
D810	192	80	Q203	101	89
D814	99	60	Q205	108	189
D855	126	96	Q401	24	85
D901	162	114	Q402	59	117
D902	162	111	Q601	145	205
D903	172	131	Q602	132	223
D905	231	179	Q801	100	29
D906	160	180	Q902	119	226
D907	160	178	OC01	136	122
D908	160	175	OC02	141	122
DU01	211	118	QL01	80	237
DZ201	90	100	QU10	192	112
DZ202	132	166			
DZ203	124	110			
DZ204	103	77			
DZ205	177	183			
DZ206	98	90			
DZ207	131	189			
DZ208	146	194			
DZ301	34	146			
DZ302	37	116			
DZ303	21	120			
DZ501	35	221			

10. Wiring Diagram



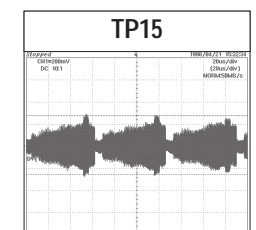
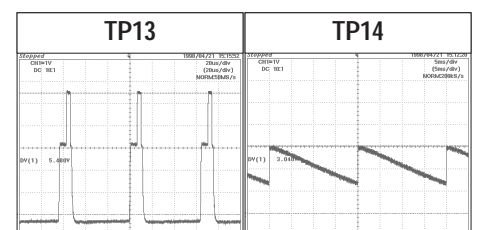
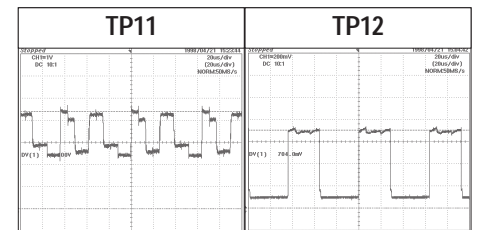
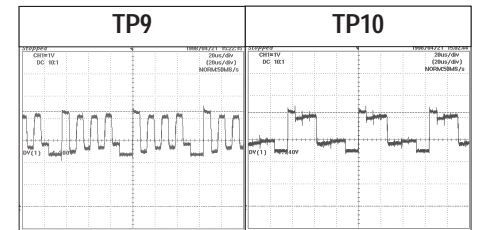
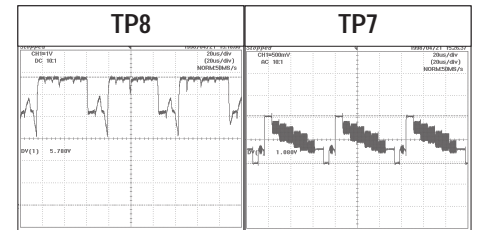
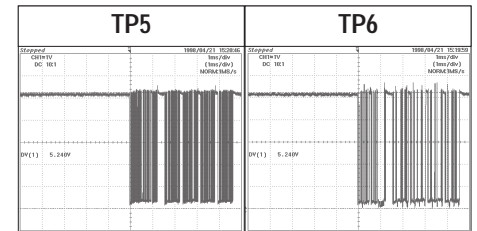
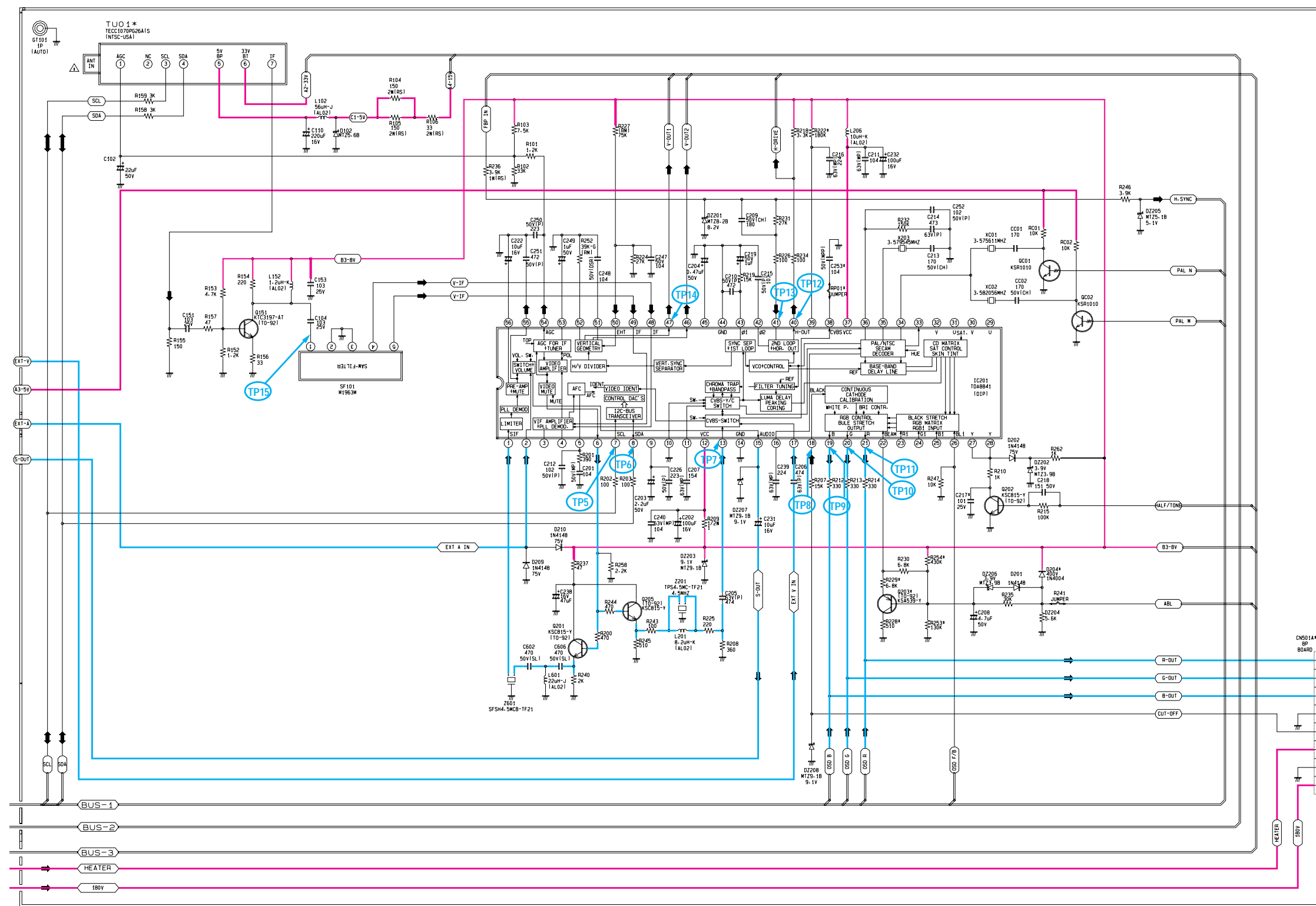
11. Schematic Diagrams

11-1 MAIN 1/4



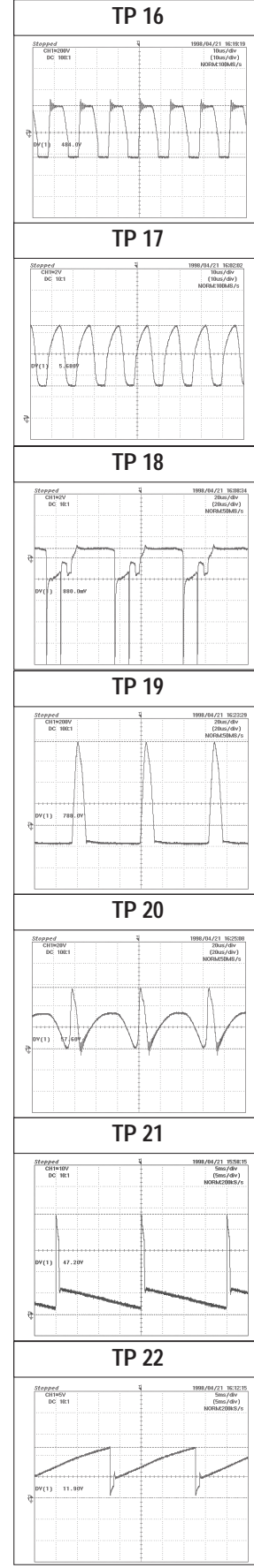
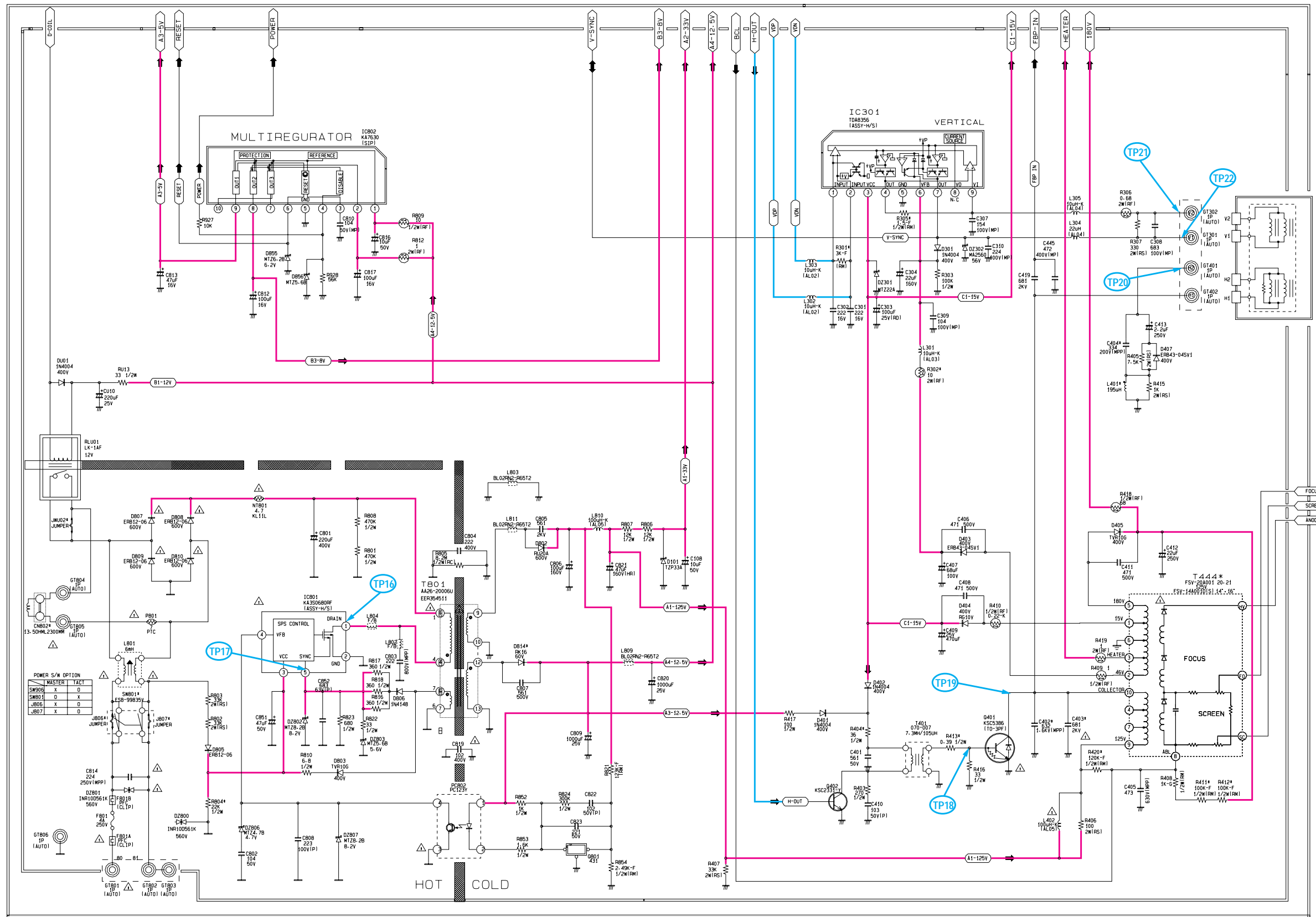
— : Power Line
— : Signal Line

11-2 MAIN 2/4



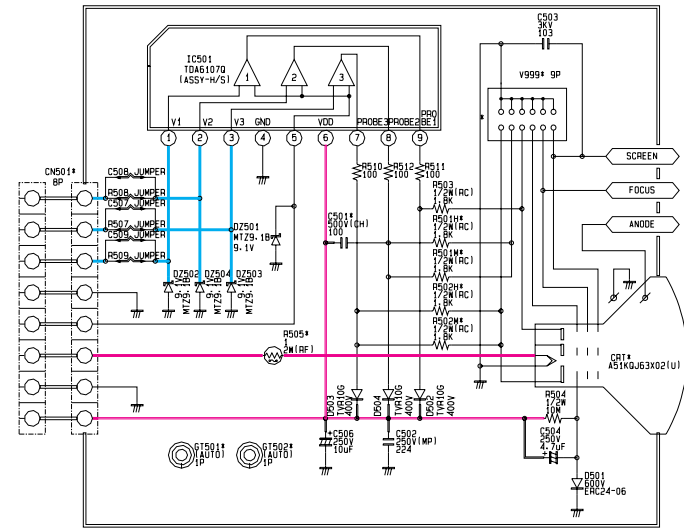
— : Power Line
 — : Signal Line

11-3 MAIN 3/4



— : Power Line
 — : Signal Line

11-4 MAIN 4/4



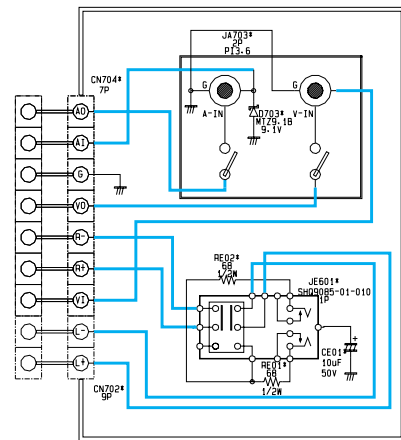
EXPRESSION
 1 Resistance is shown one K=1,000 M=1,000,000
 2 Unless otherwise noted in schematic all capacitor values less than 1 are expressed in ufd. the values more than 1 in pf.
 3 Unless otherwise noted in schematic all inductor values are expressed in uH and the values less than 1 in mH.

NOTE
 The circuits are subject to change without notice to improve the picture quality.

CAPACITOR	
Ceramic - SL	No Mark
Ceramic - RH	(RH)
Ceramic - CH	(CH)
Polyester (Induct)	(P)
Polyester (Noninduct)	(NP)
Polypropylene	(PP)
Metal Polyester	(MP)
M. P. Polypropylene	(MPP)
Tantalum	(T)
Non Polar	(NP)

RESISTOR	
Carbon	No Mark
Composition	(RC)
Metal Oxide	(RS)
Metal Film	(RM)
Fusible	(RF)
Cement Wire	(RW)
Network	(RN)

PWB-A/V EARPHONE < FRONT >



— : Power Line
 — : Signal Line