

SCHEMATIC DIAGRAM

CHASSIS NO : P54HA REMOCON

CODE NO : 38104-181-810

REPLACEMENT TABLE

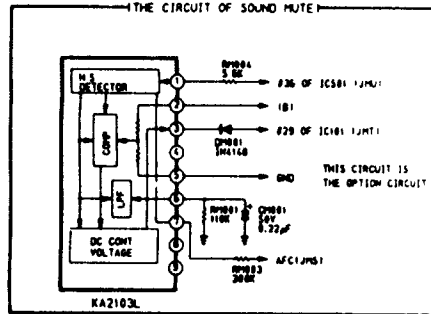
LOC NO	14" 16"	18" 20"
R618	3.0K	1.5K
R612	1.5K	1.0K
Q601	K5C2330-Y	K5C1587-0
Q602	K5C2330-Y	K5C1587-0
C414	200V 0.47	200V 0.25(10")
R200	150K-F 1/4W	200V 0.43(20")
L401	157μH	190μH
T444	FC6-1445EL	FC6-2045BL
R315	270 1W	510 1W
L505	20μH	22μH
L406	D3E-1492HL	D3E-1992JL
T402	E-20-14	E-10-10
V909 (CRT)	370H2211A"	470H2211B"
	370H221PT1	470H2211B"
	470H2211B"	510H22120"
Q404	2SD1660	2SD1651

NOTE : SPECIFICATION R401,R412
R401,R402 OF 300F/2 AND
350F/2 ARE THE SAME AS 20"

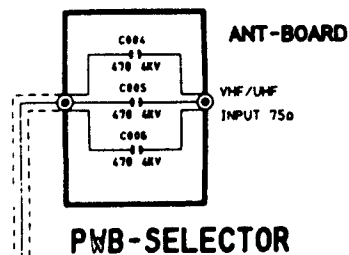
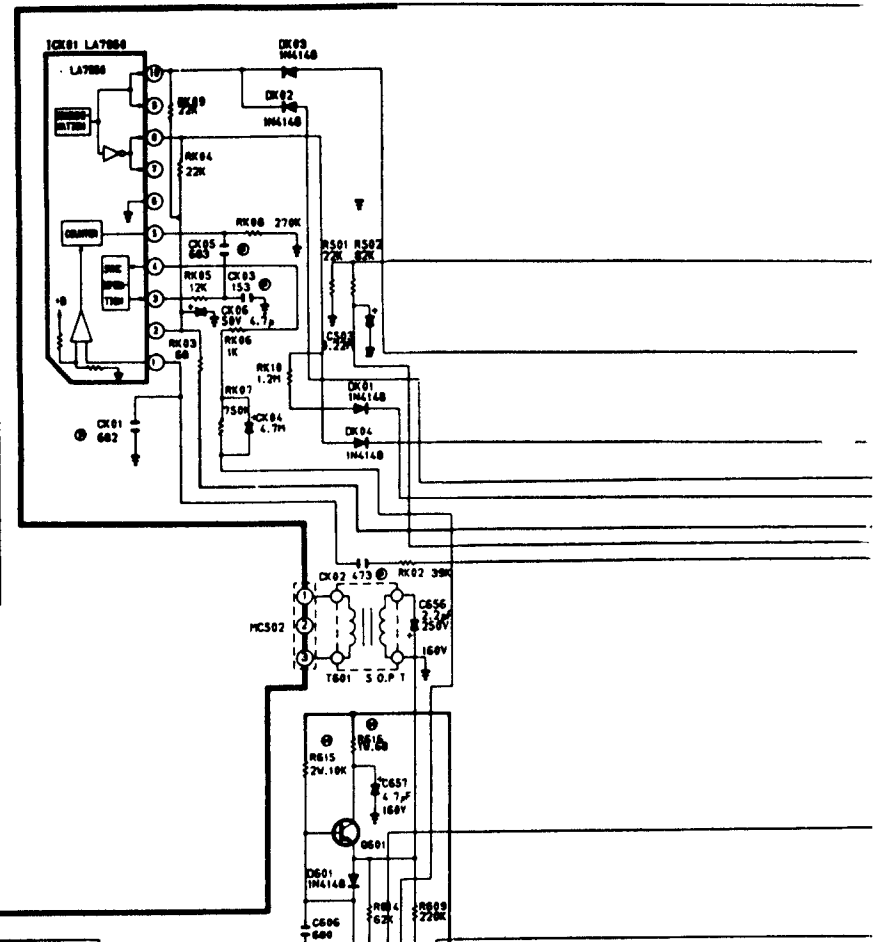
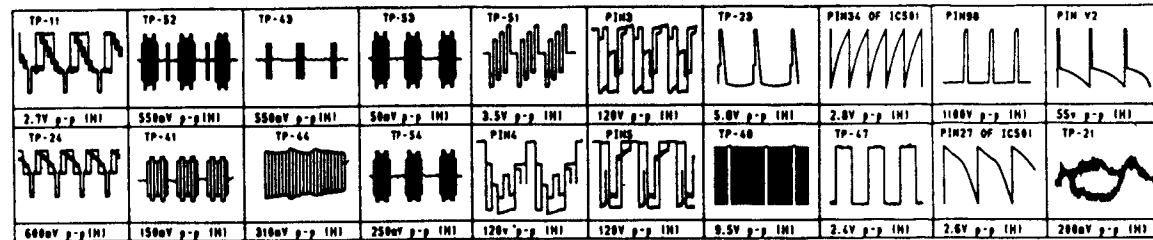
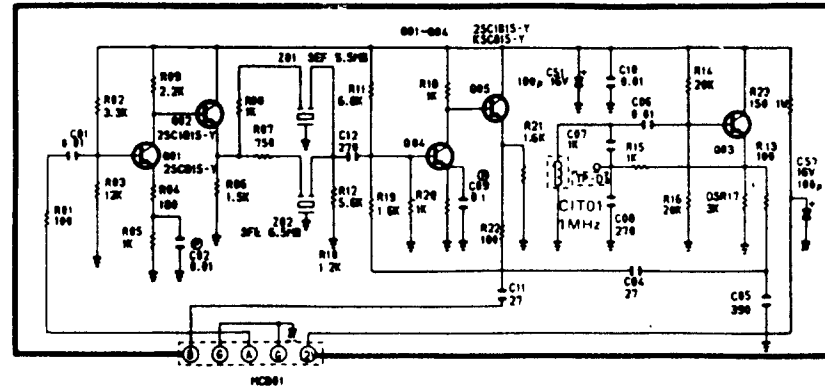
EQUIVALENT PART TABLE

STANDARD	REPLACE PART
25C1015-0-Y	K5C015-0-Y
25C1015-0-Y	K5A630-0-Y
25C2120-0-Y	K5C2301-0
25C2220-0-Y	K5C2301-0
25C24021FA-11	K5C2300-0
25A0627P-0	K5A043-0
25A0627P-0	K5A043-0
IM4148	S-90115601
BU-1	BU20-04
BU-2	BU20-05
K5C2000	K5C2040

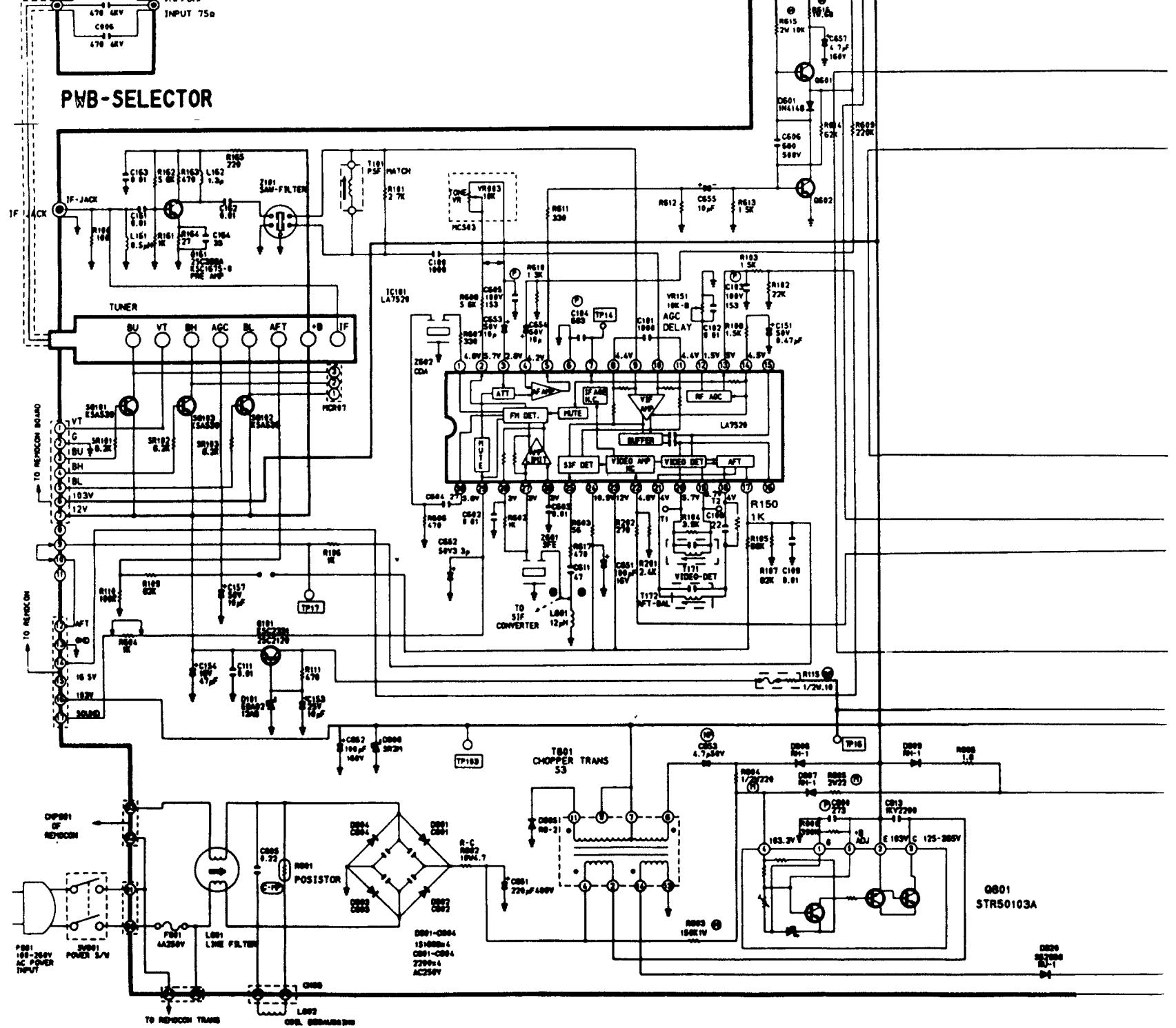
(THE CIRCUIT OF SOUND MUTE)



SIF CONVERTER



PWB-SELECTOR

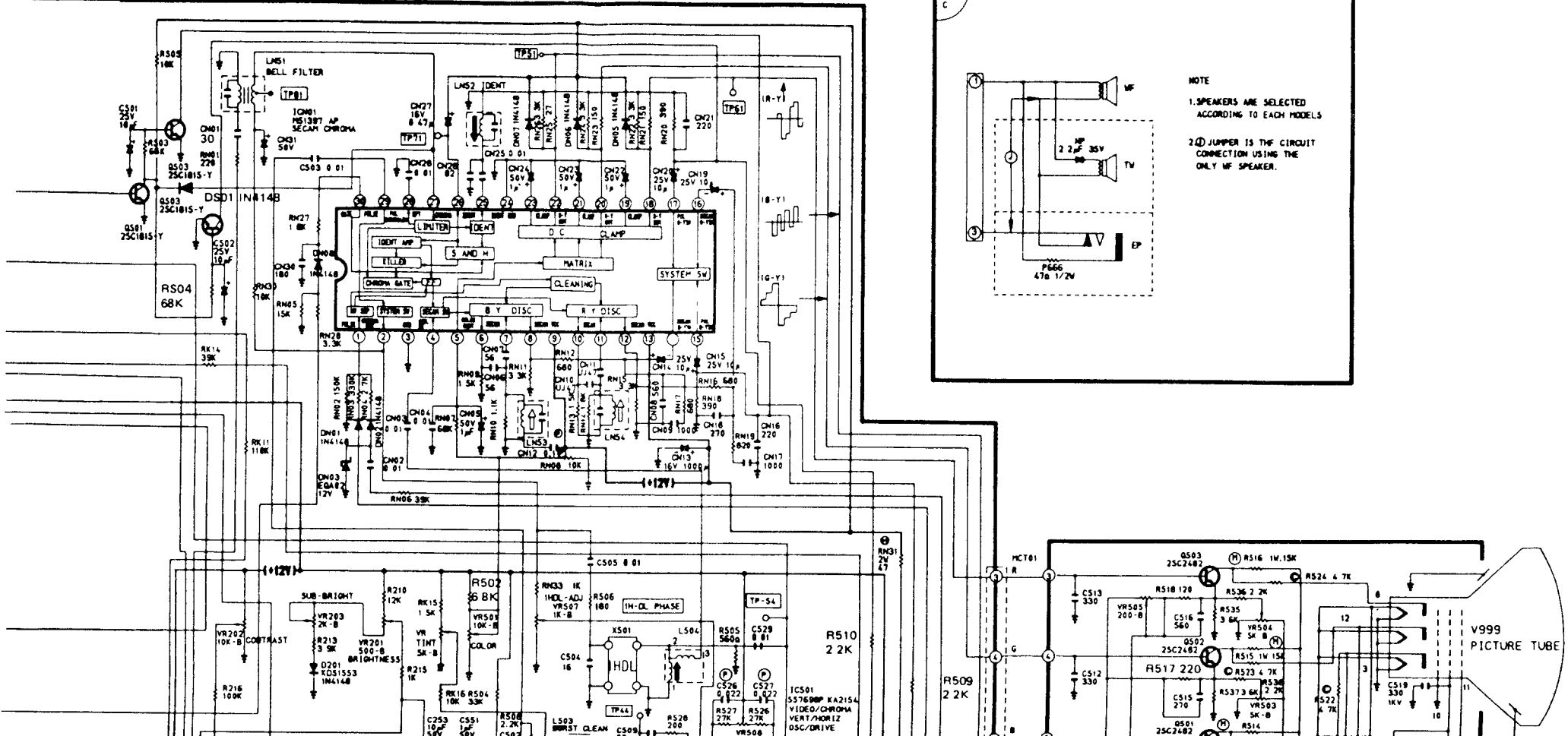
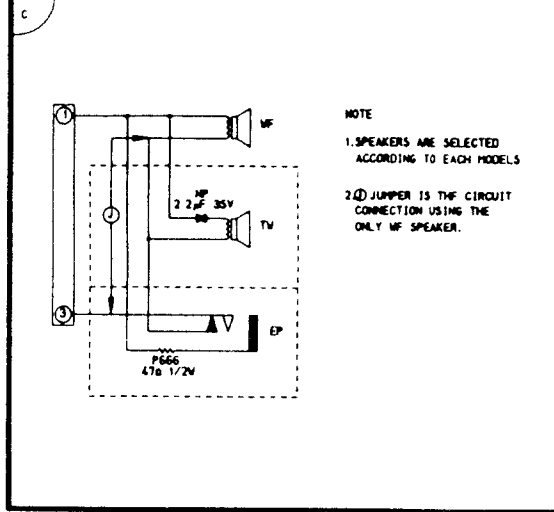
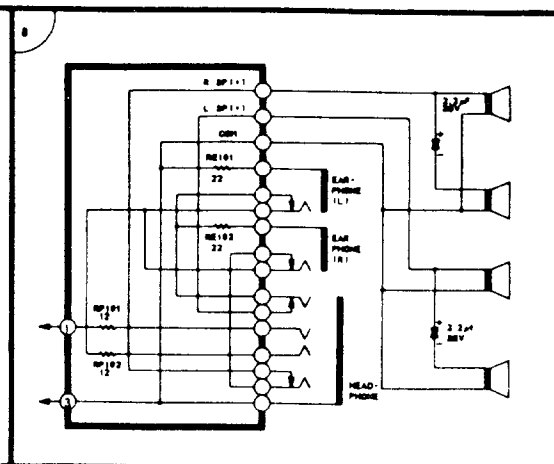
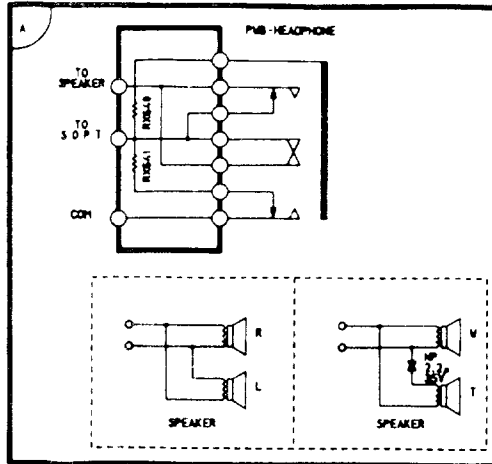
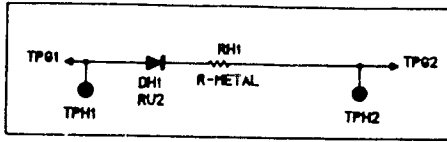


SPKCR ASBY TABL

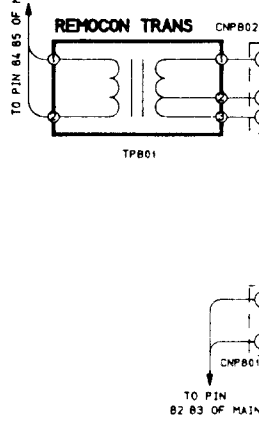
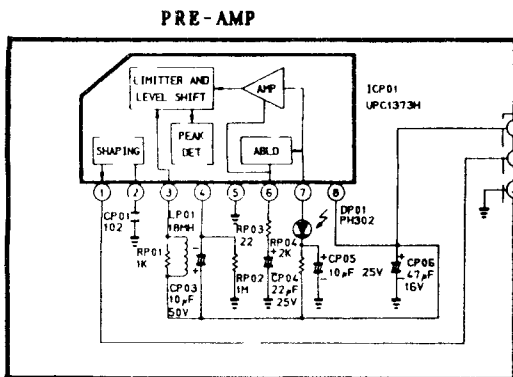
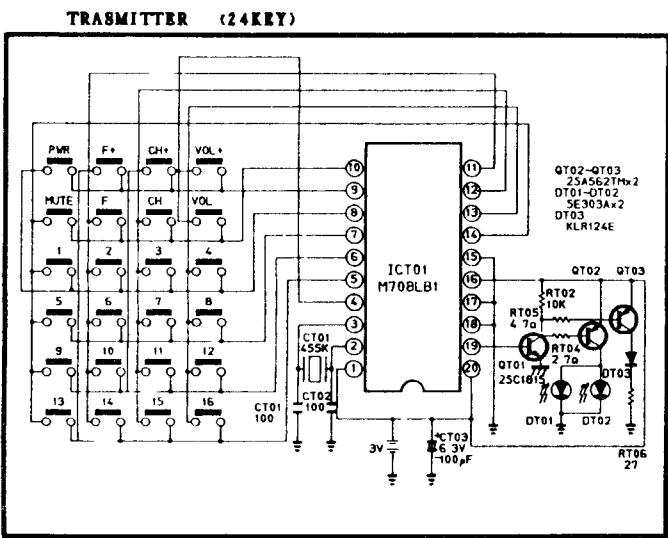
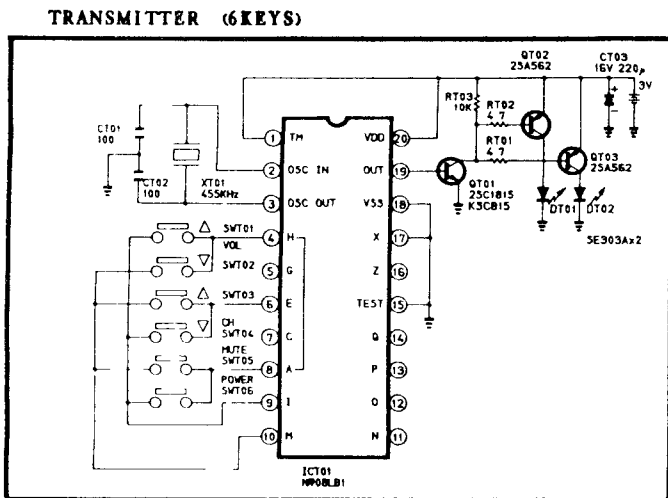
RH1 COMPENSATION

INCH GAUSS	14°	20°
-500MG	2W-82Ω	2W-56Ω
-300MG	2W-110Ω	2W-82Ω
-100MG	2W-150Ω	2W-120Ω

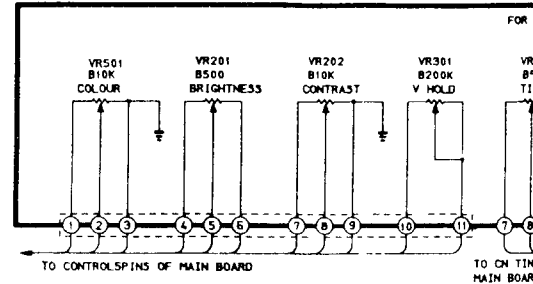
EXTERNAL GAUSS COMPENSATION CIRCUIT



SCHEMATIC DIAGRAM



CONTROL (11P CONNECTOR) BOARD



REMOCON BOARD

