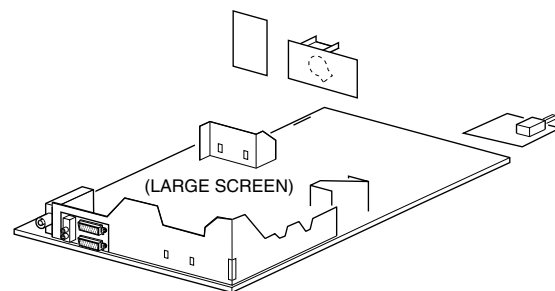


Service
Service
Service



CL26532063_000.eps
140602

Service Manual

Contents	Page
1. Technical Specifications, Connections and Chassis Overview	2
2. Safety & Maintenance Instructions, Warnings and Notes	5
3. Directions for Use	6
4. Mechanical Instructions	11
5. Service Modes, Error Codes and Faultfinding	13
6. <i>Block Diagram, Testpoints, I²C And Supply Voltage Overview</i>	
Block Diagram	21
Testpoint Overview	22
I ² C And Supply Voltage Overview	23
7. <i>Electrical Diagrams and PWB's</i>	<i>Diagram PWB</i>
Power Supply (Diagram A1)	24 42-48
Diversity Tables A1	25
Line Deflection (Diagram A2)	26 42-48
Diversity Tables A2	27
Frame Deflection (Diagram A3)	29 42-48
Tuner IF (Diagram A4)	30 42-48
Video IF and Sound IF (Diagram A5)	31 42-48
Synchronization (Diagram A6)	32 42-48
Control (Diagram A7)	33 42-48
Audio Amplifier (Diagram A8)	34 42-48
Diversity Tables A8	35
NICAM (Stereo/SAP) Decoder (Diagram A9)	36 42-48
Audio/Video Source Switching (Diagram A10)	37 42-48
Front I/O + Control, Headphone (Diagram A12)	38 42-48
Diversity Tables A12, A14	39
Rear I/O SCART (Diagram A14)	40 42-48
Tilt and Rotation (Diagram A15)	41 42-48
CRT (Diagram B1)	49 51
SCAVEM (Diagram B2)	50 51
Side AV and Headphone (Diagram C)	52 52
Side AV and Headphone (Diagram E1)	53 53

Contents	Page
Front Interface Panel (Diagr. Q1)	54 54
Top Control (RF) (Diagram T)	55 55
Top Control (FSQ) (Diagram T1)	56 56
8. Alignments	57
9. Circuit Description	64
List of Abbreviations	73
10 Spare Parts List	75

©Copyright 2002 Philips Consumer Electronics B.V. Eindhoven, The Netherlands.
All rights reserved. No part of this publication may be reproduced, stored in a retrieval system or transmitted, in any form or by any means, electronic, mechanical, photocopying, or otherwise without the prior permission of Philips.



1. Technical Specifications, Connections and Chassis Overview

Note: Described specifications are valid for the *whole* product range.

- : NTSC 3.58 (playback only)
- : NTSC 4.43 (playback only)
- : 100 channels
- : UVSH
- : 38.9 MHz
- : 75 Ω, Coax

1.1 Technical Specifications

1.1.1 Reception

- Tuning system : PLL
- Colour systems : PAL B/G, D/K, I
: SECAM B/G, L/L'
- Sound systems : FM/AM-mono
: FM-stereo (2CS)
: NICAM
: FM radio (10.7 MHz)
- A/V connections : PAL BG
: SECAM L/L'
: PAL 60 (playback only)

Channel selections

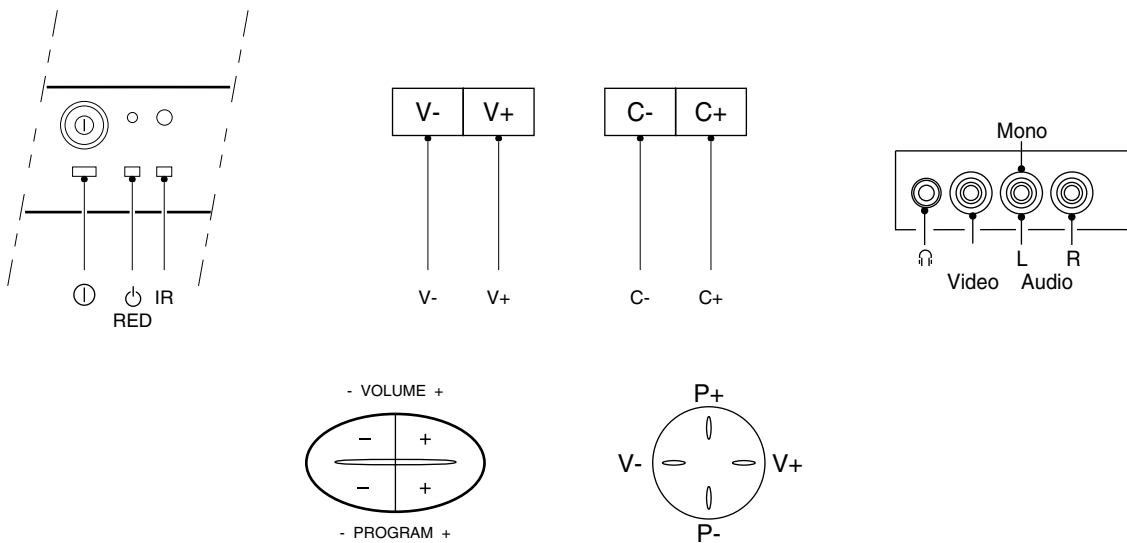
IF frequency
Aerial input

1.1.2 Miscellaneous

- Audio output (RMS) : 2 x 5 W stereo
: 2 x 10 W stereo
- Mains voltage : 220 - 240 V (± 10 %)
- Mains frequency : 50 / 60 Hz (± 5 %)
- Ambient temperature : + 5 to + 45 deg. C
- Maximum humidity : 90 % R.H.
- Power consumption : 58 W (21") to
: 100 W (33")
- Standby Power consumption : < 3 W

1.2 Connections

1.2.1 Side (or Front) Connections and Top (or Front) Control



CL 16532016_020.eps
220501

Figure 1-1

Audio / Video In

- | | | |
|---------------|---------------------------|--|
| 1 - Video | CVBS (1 Vpp / 75 Ω) | |
| 2 - Audio | L (0.5 Vrms / 10 kΩ) | |
| 3 - Audio | R (0.5 Vrms / 10 kΩ) | |
| 4 - Headphone | 3.5 mm (8 - 600 Ω / 4 mW) | |

1.2.2 Rear Connections

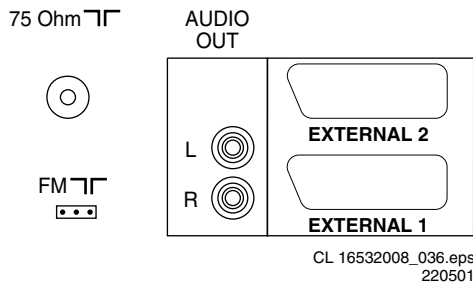


Figure 1-2 .eps

TV Aerial In
Aerial input : 75 Ω , Coax (IEC-type)

FM Radio In
Aerial input : via 'coax-to-3 pins' adapter
: 'cable' or 'wire' antenna

Audio In
1 - Audio L (0.5 Vrms / 10 k Ω) \oplus \ominus
2 - Audio R (0.5 Vrms / 10 k Ω) \oplus \ominus

External 1: RGB/YUV in + CVBS in/out

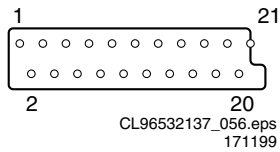


Figure 1-3

1 - Audio R (0.5 Vrms / 1 k Ω) \oplus
2 - Audio R (0.5 Vrms / 10 k Ω) \oplus
3 - Audio L (0.5 Vrms / 1 k Ω) \oplus
4 - GND \perp
5 - GND \perp
6 - Audio L (0.5 Vrms / 10 k Ω) \oplus
7 - Blue / U (0.7 Vpp / 75 Ω) \oplus
8 - CVBS-status 0 - 2.0 V: INT
4.5 - 7 V: EXT 16:9
9.5 - 12 V: EXT 4:3
9 - GND \perp
10 - \perp
11 - Green / Y (0.7 Vpp / 75 Ω) \oplus
12 - \perp
13 - GND \perp
14 - GND \perp
15 - Red / V (0.7 Vpp / 75 Ω) \oplus
16 - RGB-status 0 - 0.4 V: INT 1 - 3 V: EXT / 75 Ω
17 - GND \perp
18 - GND \perp
19 - CVBS (1 Vpp / 75 Ω) \oplus
20 - CVBS (1 Vpp / 75 Ω) \oplus
21 - Earth \perp

External 2: YC in + CVBS in/out

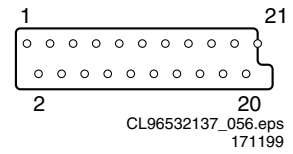
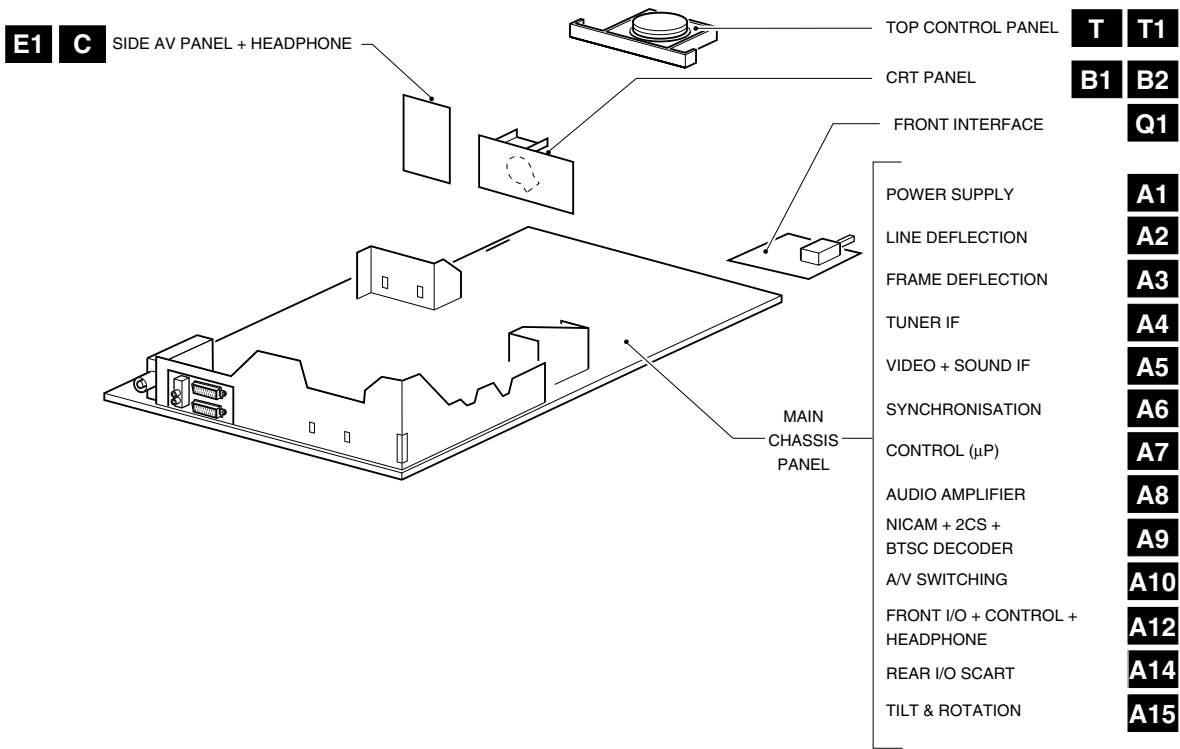


Figure 1-4

1 - Audio R (0.5 Vrms / 1 k Ω) \oplus
2 - Audio R (0.5 Vrms / 10 k Ω) \oplus
3 - Audio L (0.5 Vrms / 1 k Ω) \oplus
4 - GND \perp
5 - GND \perp
6 - Audio L (0.5 Vrms / 10 k Ω) \oplus
7 - \perp
8 - CVBS-status 0 - 2.0 V: INT
4.5 - 7 V: EXT 16:9
9.5 - 12 V: EXT 4:3
9 - GND \perp
10 - \perp
11 - \perp
12 - \perp
13 - GND \perp
14 - GND \perp
15 - C (0.3 Vpp / 75 Ω) \oplus
16 - \perp
17 - GND \perp
18 - GND \perp
19 - CVBS (1 Vpp / 75 Ω) \oplus
20 - Y / CVBS (1 Vpp / 75 Ω) \oplus
21 - Earth \perp

1.3 Chassis Overview



CL 26532063_024.eps
140602

Figure 1-5

2. Safety & Maintenance Instructions, Warnings, and Notes

2.1 Safety Instructions For Repairs

Safety regulations require that during a repair:

- Due to the 'hot' parts of this chassis, the set must be connected to the AC power via an isolation transformer.
- Safety components, indicated by the symbol ▲, should be replaced by components identical to the original ones.
- When replacing the CRT, safety goggles must be worn.

Safety regulations require that after a repair, the set must be returned in its original condition. Pay particular attention to the following points:

- General repair instruction: as a strict precaution, we advise you to re-solder the solder connections through which the horizontal deflection current is flowing, in particular:
 - all pins of the line output transformer (LOT)
 - fly-back capacitor(s)
 - S-correction capacitor(s)
 - line output transistor
 - pins of the connector with wires to the deflection coil
 - other components through which the deflection current flows.

Note: This re-soldering is advised to prevent bad connections due to metal fatigue in solder connections and is therefore only necessary for television sets more than two years old.

- Route the wire trees and EHT cable correctly and secure them with the mounted cable clamps.
- Check the insulation of the AC power cord for external damage.
- Check the strain relief of the AC power cord for proper function, to prevent the cord from touching the CRT, hot components, or heat sinks.
- Check the electrical DC resistance between the AC plug and the secondary side (only for sets that have an isolated power supply). Do this as follows:
 1. Unplug the AC power cord and connect a wire between the two pins of the AC plug.
 2. Turn on the main power switch (keep the AC power cord unplugged!).
 3. Measure the resistance value between the pins of the AC plug and the metal shielding of the tuner or the aerial connection of the set. The reading should be between 4.5 MΩ and 12 MΩ.
 4. Switch the TV OFF and remove the wire between the two pins of the AC plug.
- Check the cabinet for defects, to prevent the possibility of the customer touching any internal parts.

2.2 Maintenance Instructions

It is recommended to have a maintenance inspection carried out by qualified service personnel. The interval depends on the usage conditions:

- When the set is used under normal circumstances, for example in a living room, the recommended interval is three to five years.
- When the set is used in an environment with higher dust, grease or moisture levels, for example in a kitchen, the recommended interval is one year.
- The maintenance inspection includes the following actions:
 1. Perform the 'general repair instruction' noted above.
 2. Clean the power supply and deflection circuitry on the chassis.
 3. Clean the picture tube panel and the neck of the picture tube.

2.3 Warnings

- In order to prevent damage to ICs and transistors, avoid all high voltage flashovers. In order to prevent damage to the picture tube, use the method shown in Fig. 2-1, to discharge the picture tube. Use a high voltage probe and a multi-meter (position VDC). Discharge until the meter reading is 0 V (after approx. 30 s).

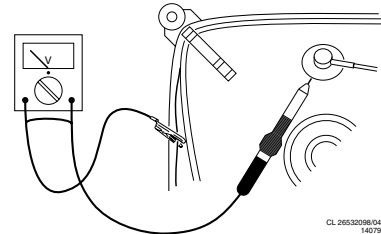


Figure 2-1

- All ICs and many other semiconductors are susceptible to electrostatic discharges (ESD) ▲. Careless handling during repair can reduce life drastically. When repairing, make sure that you are connected with the same potential as the mass of the set by a wristband with resistance. Keep components and tools also at this potential. Available ESD protection equipment:
 - Complete kit ESD3 (small tablemat, wristband, connection box, extension cable, and ground cable) 4822 310 10671.
 - Wristband tester 4822 344 13999.
- Together with the deflection unit and any multi-pole unit, flat square picture tubes form an integrated unit. The deflection and the multi-pole units are set optimally at the factory. Adjustment of this unit during repair is therefore not recommended.
- Be careful during measurements in the high voltage section and on the picture tube.
- Never replace modules or other components while the unit is switched ON.
- When you align the set, use plastic rather than metal tools. This will prevent any short circuits and the danger of a circuit becoming unstable.

2.4 Notes

- Measure the voltages and waveforms with regard to the chassis (= tuner) ground (⊥), or hot ground (⤵), depending on the area of circuitry being tested.
- The voltages and waveforms shown in the diagrams are indicative. Measure them in the Service Default Mode (see chapter 5) with a color bar signal and stereo sound (L: 3 kHz, R: 1 kHz unless stated otherwise) and picture carrier at 475.25 MHz (PAL) or 61.25 MHz (NTSC, channel 3).
- Where necessary, measure the waveforms and voltages with (⏏) and without (⏏) aerial signal. Measure the voltages in the power supply section both in normal operation (Ⓜ) and in standby (Ⓜ). These values are indicated by means of the appropriate symbols.
- The picture tube panel has printed spark gaps. Each spark gap is connected between an electrode of the picture tube and the Aquadag coating.
- The semiconductors indicated in the circuit diagram and in the parts lists are completely interchangeable per position with the semiconductors in the unit, irrespective of the type indication on these semiconductors.

3. Directions for Use

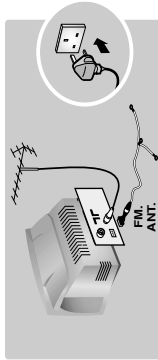
Installing your television set

1 Positioning the television set



Place your TV on a solid, stable surface, leaving a space of at least 5 cm around the appliance. To avoid accidents, do not put anything on the set such as a cloth or cover, a container full of liquid (vase) or a heat source (lamp). The set must not be exposed to water.

2 Connections



- Insert the aerial plug into the ANT socket at the rear of the set.
- For the versions equipped with a radio: insert the radio aerial socket into the FM ANT socket using the adapter supplied. *If you are using an indoor aerial, reception may be difficult in certain conditions. You can improve reception by rotating the aerial. If the reception remains poor, you will need to use an external aerial.*
- Insert the mains plug into a wall socket (220-240 V / 50 Hz).

The keys on the TV set

The television set has 4 keys which are located on the front or the top of the set depending on the model.



Remote control keys

Screen information / permanent no.

To display / clear the program number, name (if it exists), time, audio mode and time remaining for the sleep feature. Press the key for 5 seconds to activate permanent display of the number. This key is also used to exit from the menu.

VCR key (p.11)

Incredible Surround
(only available on certain versions)

To activate / disable the Incredible Surround feature. In stereo, the speakers appear further apart. In mono, a pseudo-spatial stereo effect is obtained.

Pre-set sound
Used to access a series of stored settings: **Speech, Music, Theatre** and return to **Personal**.

Menu
To call up or exit the menus.

Cursor
These 4 keys are used to move around the menus or provide direct access to the different 16:9 formats (p.9).

Volume
To adjust the sound level

Mute
To mute or restore the sound.

Number keys
Direct access to the programmes. For a 2 digit program, enter the 2nd digit before the dash disappears.

Selection of EXT socket
Press several times to select EXT1, EXT2, S-VHS and AV.

Radio / TV mode
To switch the TV set to radio or TV mode (for versions equipped with radio).

Standby
Lets you place the TV set on standby. To turn on the TV, press P (), (), () or ().

Teletext keys (p. 8), VCR keys (p.11) and list of radio stations (p.5)

Sleep
To select an automatic standby after a preset time (from 0 to 240 minutes).

16:9 modes (p. 9)

Pre-set image
Used to access a series of stored settings: **Bright, Natural, Soft, Multimedia** and return to **Personal**.

Teletext (p. 8)

Program selection
To access the next or previous programme. The number, (name) and sound mode are displayed for a few moments.

For some programs, the title of the program will be displayed at the bottom of the screen.

Teletext keys (p.8) or VCR keys (p.11)

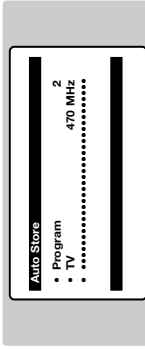
Sound mode

Used to force programmes in Stereo to Mono or, for bilingual programs, to choose between Dual I or Dual II. For TV sets equipped for Nicam reception, depending on the programmes, you can force the Stereo Nicam sound to Mono or select between Nicam Dual I, Nicam Dual II and Mono.

The Mono indication is red when in forced position.

Quick installation

The first time you switch on the television, a menu appears on the screen and the tuning starts automatically.



If the menu is not displayed, press and hold down the Δ - and ∇ + keys on the TV set for 5 seconds to start the tuning.

All the available TV programs and radio stations * will be stored. This operation takes a few minutes. The display shows the progress of the

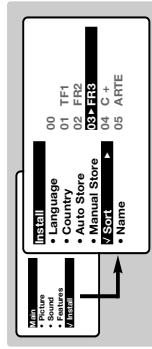
Plug & Play

search and the number of programs found. At the end of the search, the menu disappears. To exit or interrupt the search, press MENU . If no program is found, consult the possible solutions p. 12.

- 1 If the transmitter or cable network sends the automatic sort signal, the programs will be numbered correctly. In this case, the installation is complete.
 - 2 If this is not the case, you need to use the **Sort menu** to number the programs correctly. Some transmitters or cable networks broadcast their own sort parameters (region, language, etc.). In this case, indicate your choice using the OK keys and validate with OK .
- * Only on versions equipped with a radio.

Program sort

- 1 Press key MENU . The Main menu is displayed on the screen.



Program name

If required, you can give a name to the programmes and external connectors.

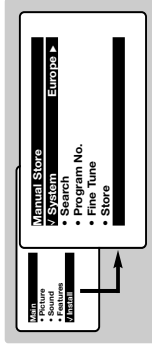
Note: on installation, the programs are named automatically when an identification signal is sent.

- 1 Press the MENU key.
- 2 With the cursor, select the **Install** menu, then **Name**
- 3 Use the OK keys to select the programme to name or rename.

Manual store

This menu is used to store the programmes one at a time.

- 1 Press the MENU key.
- 2 With the cursor, select the **Install** menu then **Manual store**:



- 3 **System**: select **Europe** (automatic detection*) or **Western Europe** (BG standard), **Eastern Europe** (DK standard), **United Kingdom** (I standard) or **France** (L'L' standard).

* Except for France (L'L' standard), you must select choice **France**.

- 4 **Search**: press OK . The search starts. Once a programme is found, the scanning stops and its name is displayed (when available). Go to the next step. If you know the frequency of the required programme, this can be entered directly using the OK to OK keys. If no picture is found, consult the possible solutions (p.12).
- 5 **Program No.**: enter the required number with the OK or OK keys.
- 6 **Fine Tune**: if the reception is not satisfactory, adjust using the OK keys.
- 7 **Store**: press OK . The program is stored.
- 8 Repeat steps 4 to 8 for each programme to store.
- 9 To quit the menu, press MENU .

Other settings in the Install menu

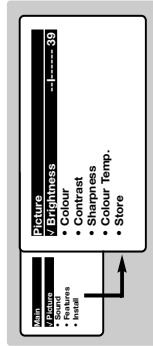
- 1 Press the MENU key and select the **Install** menu;
- 2 **Language**: to change the display language for the menus.
- 3 **Country**: to select your country (GB for Great Britain).
This setting is used for the search, automatic programme sort and teletext display. If your country does not appear in the list, select "...".
- 4 **Auto Store**: to start automatic search for all programmes available in your region. If the transmitter or cable network sends the automatic sort signal, the programmes will be numbered correctly. If this is not the case, you need to use the Sort menu to renumber the programmes (see p. 4).
Some transmitters or cable networks broadcast their own sort parameters (region, language, etc.). In this case, indicate your choice using the OK keys and validate with OK . To quit or interrupt the search, press MENU . If no picture is found, consult the possible solutions (p. 12).
- 5 To quit the menu, press MENU .

Using the radio (only available on certain versions)

- 1 **Choice of TV or radio mode**
Press the MENU key on the remote control to switch the TV set to either TV or radio mode. In radio mode, the number, station name (if available), frequency and sound mode are displayed on the screen. To enter the station names, use the **Name** menu (p. 4).
- 2 **Program selection**
Use the OK or P keys to select the FM stations (from 1 to 40).
- 3 **List of radio stations**
Press the MENU key to display the list of radio stations' radio. Use the OK keys to change station and the MENU key to exit.
- 4 **Using the radio menus**
Use the MENU key to access the specific radio setting.
- 5 **Search for radio stations**
If you used the quick installation, all available FM stations have already been stored. To start a new search, use the **Install : Auto Store** menu (for a complete search) or **Manual Store** (for a station by station search). The **Sort and Name** menus let you sort or name the radio stations. Operation of these menus is the same as for the TV menu.

Picture settings

- 1 Press **Menu** then **Picture** and press **Enter** to store them. Press **Exit** to exit.



- 2 Use the **Left** and **Right** keys to select a setting and the **Up** and **Down** keys to adjust.

Note: during the picture adjustment, only the selected line remains displayed. Press **Enter** to display the menu again.

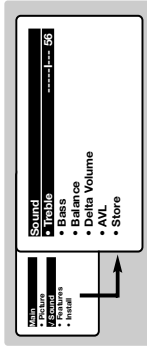
- 3 Once the adjustments have been made, select **Store** and press **Enter** to store them. Press **Exit** to exit.

Description of the adjustments:

- **Brightness:** this changes picture brilliance.
- **Colour:** this changes the intensity of the colour.
- **Contrast:** this changes the difference between the light and dark tones.
- **Sharpness:** this changes the picture definition.
- **Colour Temp.:** this changes the colour rendering: **Gold** (bluer), **Normal** (balanced) or **Warm** (redder).
- **Store:** to store the picture adjustments and settings (as well as the settings for **Contrast +** and **NR** in the **Features** menu).

Sound adjustments

- 1 Press **Menu**, select **Sound** and press **Enter**. The **Sound** menu is displayed:



- 2 Use the **Left** and **Right** keys to select a setting and the **Up** and **Down** keys to adjust.
- 3 Once the adjustments have been made, select **Store** and press **Enter** to store these changes.
- 4 To quit the menu, press **Exit**.

Description of the settings:

- **Treble:** this alters the high frequency sounds.
 - **Bass:** this alters the low frequency sounds.
 - **Balance:** this balances the sound on the left and right speakers.
 - **Delta Volume*:** this is used to compensate any volume discrepancies between the different programs or EXT sockets. This setting is available for programs 0 to 40 and the EXT sockets.
 - **AVL* (Automatic Volume Leveller):** this is used to limit increases in sound, especially on program change or advertising slots.
 - **Store:** this is used to store the sound settings.
- * Only available on certain versions.

Feature settings

- 1 Press **Menu**, select **Features** and press **Enter**. You can adjust:
- 2 **Timer, Child Lock and Parental Cont.:** see next page
- 3 **Contrast +:** automatic adjustment of the picture contrast, which permanently sets the darkest part of the picture to black.
- 4 **NR:** attenuates picture noise (snow) in difficult reception conditions

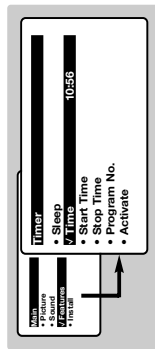
Caution: to store the **Contrast +** and **NR** settings, use the **Store** choice in the **Picture** menu.

- 5 **Rotation** (only available on very large screen sets): large screen sets are sensitive to terrestrial magnetic field variations. This setting is used to compensate for this by adjusting the picture rotation.
- 6 To quit the menu, press **Exit**.

Timer function (only available on certain versions)

- 1 This menu lets you use the TV set as an alarm. Press the **Menu** key.
- 2 With the cursor, select the **Options** menu then **Timer**:

- 3 **Sleep:** to select an automatic standby period.



This setting is also available via the **Alarm** key on the remote control.

- 4 **Time:** enter the current time.
Note: the time is updated automatically each time the TV set is switched on via the teletext information on program no. 1. If this program does not have teletext, the update will not take place.

- 5 **Start Time:** enter the start time.
- 6 **Stop Time:** enter the standby time.
- 7 **Program No.:** enter the number of the programme for the wake-up alarm. For models equipped with a radio, you can select an FM station by using the **Left** and **Right** keys (the **Left** and **Right** keys are only used to select TV programs).
- 8 **Activate:** the settings include:
 - Once for a single alarm,
 - Daily for each day,
 - Stop to cancel.

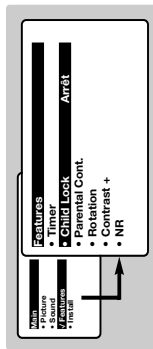
- 9 Press **Enter** to put the TV set in standby. It will automatically come on at the time programmed. If you leave the TV set on, it will just change programmes at the time entered (and will go to standby mode at the **Stop Time**).
By combining the **TV lock** and **Timer** functions, you can restrict the period during which the TV set is used, for example by your children.

TV lock (only available on certain versions)

You can block certain programs or inhibit use of the TV set completely by locking the keys.

Child lock

- 1 Press **Menu**.
- 2 With the cursor, select the **Options** menu and position **Child Lock** to **On**.
- 3 Turn off the TV set and hide the remote control. The TV set cannot be used (except via the remote control).
- 4 To cancel, position **Child Lock** to **Off**.



Parental control

- 1 Press the **Menu** key, select the **Features** menu then **Parental Cont.:**
- 2 You must enter your secret access code.

The first time you enter this, enter code 0711 twice and then enter your new code choice. The menu is displayed.

- 3 **Parental Cont.:** Use the **Left** and **Right** keys to select the TV programme required and validate with **Enter**. The **AL** symbol will be displayed opposite the programmes or sockets that are locked. From now on, to view a locked programme, you must enter your secret code, otherwise the screen will stay blank.

- 4 **Change code:** this allows you to enter a new 4 digit code. Confirm your new code by entering it a second time.
If you have forgotten your secret code, enter the universal code 0711 twice.

- 5 **Unlock all:** this is used to unlock all locked programmes.

- 6 **Lock All:** this is used to lock all the TV programmes and EXT connectors.
- 7 Press the **Exit** key to quit.


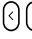




Teletext


Teletext is an information system broadcast by certain channels which can be consulted like a newspaper. It also offers access to subtitles for viewers with hearing problems or who are not familiar with the transmission language (cable networks, satellite channels, etc.).


Press :  **You will obtain:**


This is used to call teletext, change to transparent mode and then exit. The summary appears with a list of items that can be accessed. Each item has a corresponding 3 digit page number.


If the channel selected does not broadcast teletext, the indication 100 will be displayed and the screen will remain blank (in this case, exit teletext and select another channel).

Selecting a page
   
 Enter the number of the page required using the 0 to 9 or P keys.  . Example: page 120, enter 1 2 0. The number is displayed top left, the counter turns and then the page is displayed. Repeat this operation to view another page.
 If the counter continues to search, this means that the page is not transmitted. Select another number.

Direct access to the items

 Coloured areas are displayed at the bottom of the screen. The 4 coloured keys are used to access the items or corresponding pages.
 The coloured areas flash when the item or the page is not yet available.


Contents

 This returns you to the contents page (usually page 100).


Temporary stop

 This is used to temporarily disable or activate the teletext display.


Enlarge a page

 This allows you to display the top or bottom part of the page and then return to normal size.


Stop sub-page acquisition


 Certain pages contain sub-pages which are automatically displayed successively. This key is used to stop or resume sub-page acquisition. The indication  appears top left.

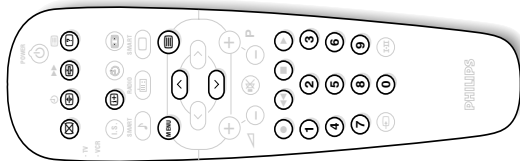
Hidden information

 To display or hide the concealed information (games solutions).

Favourite pages

 For teletext programs 0 to 40, you can store 4 favourite pages which can then be accessed directly using the coloured keys (red, green, yellow, blue).

- Press the  key to change to favourite pages mode.
- Press the teletext page that you want to store.
- Press the coloured key of your choice for 3 seconds. The page is now stored.

- Repeat the operation with the other coloured keys.
- You can now consult teletext and your favourite pages will appear in colour at the bottom of the screen. To retrieve the standard items, press .

 To clear everything, press  for 5 seconds.



16:9 Formats

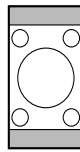
The pictures you receive may be transmitted in 16:9 format (wide screen) or 4:3 format (conventional screen). 4:3 pictures sometimes have a black band at the top and bottom of the screen (letterbox format). This function allows you to optimise the picture display on screen.

Automatic switching

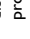
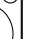
This TV set is also equipped with automatic switching which will select the correct-screen format, provided the specific signals are transmitted with the programmes.
 This automatic format can also be modified manually.

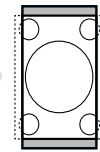
Using the different screen formats

Press the  key (or ) to select the different modes:
 4:3, Zoom 14:9, Zoom 16:9, Subtitle Zoom, Super Wide and Widescreen.
 You can also access these settings with key .





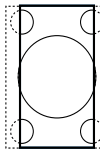
4:3 Mode

The picture is reproduced in 4:3 format and a black band is displayed on either side of the picture. The picture may be progressively enlarged using the   keys.





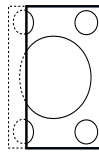
Zoom 14:9 Mode

The picture is enlarged to 14:9 format, a thin black band remains on both sides of the picture. The   keys allow you to compress and move the image vertically to view the top or bottom of the picture (subtitles).

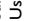



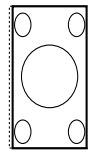
Zoom 16:9 Mode

The picture is enlarged to 16:9 format. This mode is recommended when displaying pictures which have black bands at the top and bottom (letterbox format).
 Use the   keys if you wish to compress and move the image vertically to view the top or bottom of the picture.





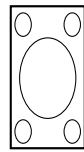
Subtitle Zoom Mode

This mode is used to display 4:3 pictures using the full surface of the screen leaving the sub-titles visible.
 Use the   keys to increase or decrease the compression at the bottom of the screen.



Super Wide Mode

This mode is used to display 4:3 pictures using the full surface of the screen by enlarging the sides of the picture. The   keys allow you to scroll the image up or down the screen.



Widescreen Mode

This mode restores the correct proportions of pictures transmitted in 16:9 using full screen display.

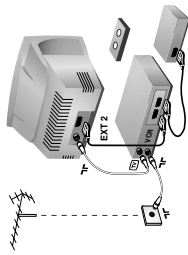
Note: If you display a 4:3 picture in this mode, it will be enlarged horizontally.

Connecting peripheral equipment

The television has 2 external sockets situated at the back of the set (EXT1 and EXT2).
 The EXT1 socket has audio, CVBS/RGB inputs and audio, CVBS outputs.
 The EXT2 socket has audio, CVBS/S-VHS inputs and audio, CVBS outputs.

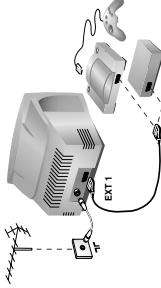
Video recorder

Carry out the connections shown opposite, using a good quality euroconnector cable.
 If your video recorder does not have a euroconnector socket, the only connection possible is via the aerial cable. You will therefore need to tune in your video recorder's test signal and assign it programme number 0 (refer to manual store, p. 6).
 To reproduce the video recorder picture, press 0.



Other equipment

Satellite receiver, decoder, CDV, games, etc.
 Carry out the connections shown opposite.
 To optimise picture quality, connect the equipment which produces the RGB signals (digital decoder, games, etc.) to EXT1, and the equipment which produces the S-VHS signals (S-VHS and Hi-8 video recorders, certain DVD drives) to EXT2 and all other equipment to either EXT1 or EXT2.



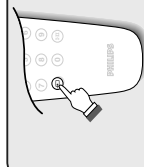
Amplifier (only available on certain versions)

To connect to a hi-fi system, use an audio connection cable and connect the "L" and "R" outputs on the TV set to the "AUDIO IN" "L" and "R" input on your hi-fi amplifier.

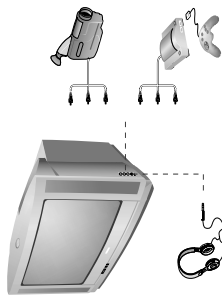


To select connected equipment

Press the 0 key to select EXT1, EXT2, S-VHS2 (S-VHS signals from the EXT2 socket) and AV for connections on the front panel. Most equipment (decoder, video recorder) carries out the switching itself.



Side connections



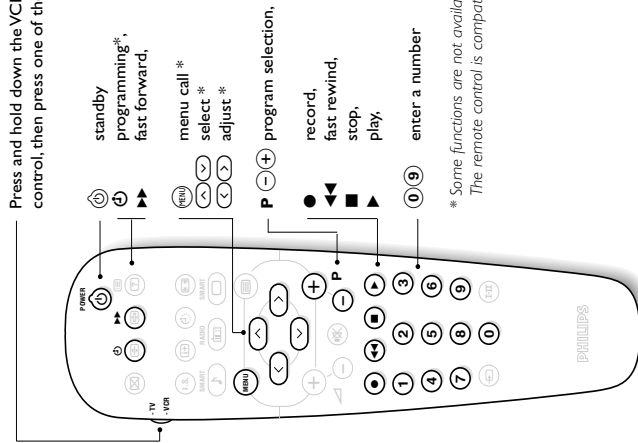
Make the connections as shown opposite.
 With the 0 key, select AV.
 For a monophonic device, connect the audio signal to the AUDIO L input. Use the 0 key to reproduce the sound on the left, and right, speakers of the TV set.

Headphones

When headphones are connected, the sound on the TV set will be cut. The 0 P + keys are used to adjust the volume level.
 The headphone impedance must be between 32 and 600 Ohms.

VCR key

The remote control lets you control the main functions of the VCR.



Press and hold down the VCR key located on the side of the remote control, then press one of the keys to access the VCR functions:

* Some functions are not available on all VCRs.
 The remote control is compatible with all VCRs using the RCS standard.

4. Mechanical Instructions

Note: Figures below can deviate slightly from the actual situation, due to the different set executions.

4.1 Rear Cover Removal

1. Remove all (nine) fixation screws of the rear cover: two at the top, two at each side, two at the bottom and one at the SCART connectors.
2. Now pull the rear cover backward to remove it.

4.2 Service Position Main Panel

There are 2 configurations: one without and one with panel bracket. Both have a different service position.

Main panel **without** bracket.

1. Disconnect the strain relief of the Mains cord.
2. Remove the main panel, by pushing the two centre clips outward [1]. At the same time pull the panel away from the CRT [2].
3. Disconnect the degaussing coil by removing the cable from (red) connector 0201.
4. Turn the panel 90 degrees counter clockwise [3].
5. Flip the panel 90 degrees [4], with the components towards the CRT.
6. Turn the panel with the rear I/O towards the CRT [5].
7. Slide the metal heatsink (near the mains transformer 5520) underneath the right chassis bracket, so the panel is secured [6].

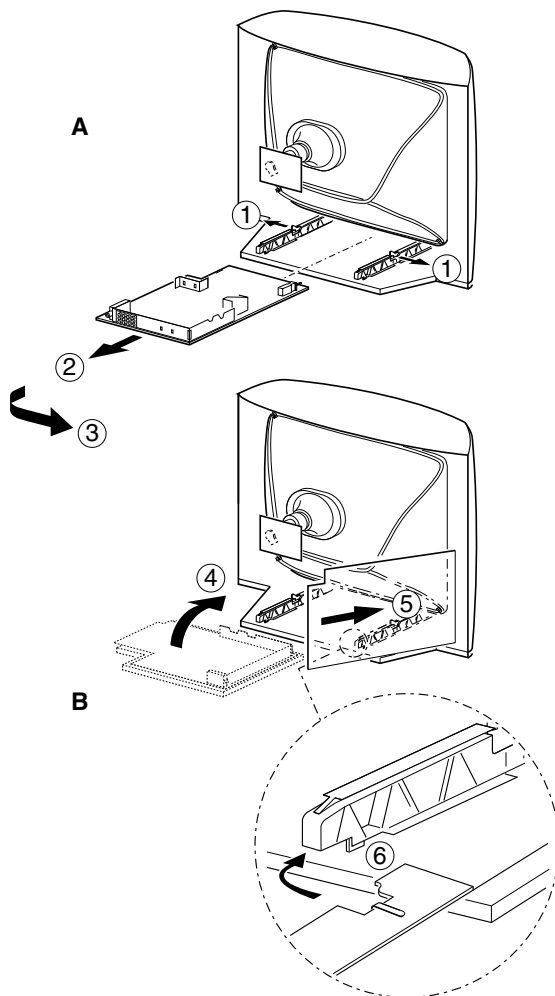


Figure 4-1

Main panel **with** bracket.

1. Disconnect the strain relief of the Mains cord.
2. Disconnect the degaussing coil by removing the cable from (red) connector 0201 [1].
3. Remove the panel bracket from the bottom tray, by pulling it backward [2].
4. Turn the chassis tray 90 degrees counter clockwise.
5. Move the panel somewhat to the left and flip it 90 degrees [3], with the components towards the CRT.
6. Turn the panel with the rear I/O towards the CRT.
7. Place the hook of the tray in the fixation hole of the cabinet bottom [4] and secure it.

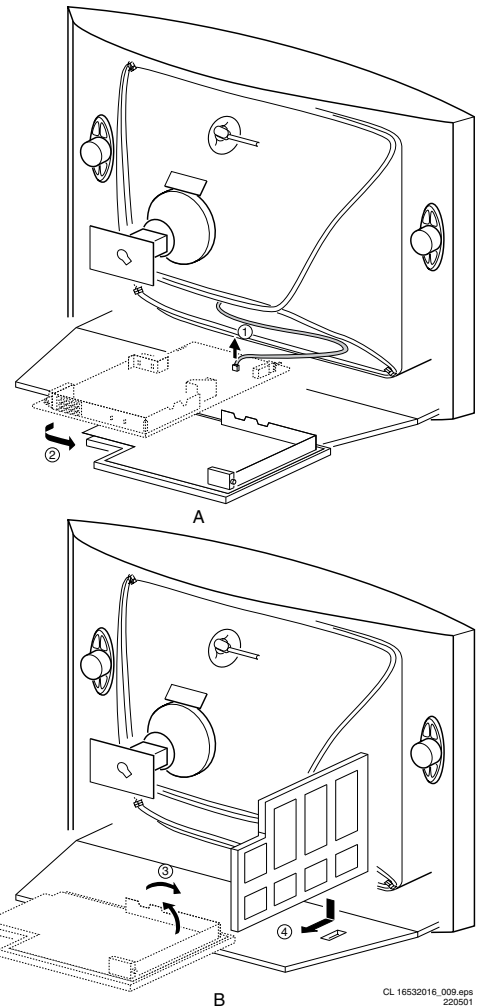


Figure 4-2

4.3 Side I/O Panel Removal (if present)

1. Remove the complete Side I/O assembly, after unscrewing the 2 fixation screws [1].
2. Release the two fixation clamps [2] and lift the board out of the bracket.

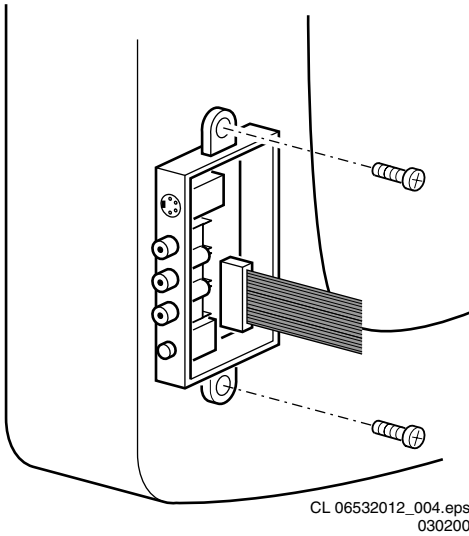


Figure 4-3

4.4 Rear Cover Mounting

Before you mount the rear cover:

1. Place the mains cord correctly in its guiding brackets (strain relief).
2. Place all cables in their original position.

5. Service Modes, Error Codes and Fault Finding

Index of this chapter:

1. Test points.
2. Service Modes.
3. Problems and Solving Tips (related to CSM).
4. ComPair.
5. Error Codes.
6. The Blinking LED Procedure.
7. Protections.
8. Repair Tips.

5.1 Test Points

The chassis is equipped with test points printed on the circuit board assemblies. These test points refer to the functional blocks:

TEST POINT OVERVIEW L01		
Test point	Circuit	Diagram
A1-A2-A3-.....	Audio processing	A8, A9 / A11
C1-C2-C3-.....	Control	A7
F1-F2-F3-.....	Frame drive	A3
I1-I2-I3-.....	Tuner & IF	A4
L1-L2-L3-.....	Line drive	A2
P1-P2-P3-.....	Power supply	A1
S1-S2-S3-.....	Synchronisation	A6
V1-V2-V3-.....	Video processing	A5, B1

CL 16532008_044.eps
210501

Figure 5-1

The numbering is in a logical sequence for diagnostics. Always start diagnosing within a functional block in the sequence of the relevant test points for that block.

Perform measurements under the following conditions:

- Service Default Mode.
- Video: colour bar signal.
- Audio: 3 kHz left, 1 kHz right.

5.2 Service Modes

Service Default Mode (SDM) and Service Alignment Mode (SAM) offer several features for the service technician, while the Customer Service Menu (CSM) is used for communication between dealer and customer.

There is also the option of using ComPair, a hardware interface between a computer (see requirements) and the TV chassis. It offers the ability of structured trouble shooting, error code reading and software version readout for all L01 chassis.

Minimum requirements: a 486 processor, Windows 3.1 and a CD-ROM drive. A Pentium Processor and Windows 95/98 are also acceptable (see also paragraph 5.4).

SW cluster	SW name	UOC-type	Diversity	Remark
2EU0	L01ET0 x.y	TDA9555	West Europe, 1 page TXT	All Service Modes
2EU9	L01ET9 x.y	TDA9555	East Europe, 1 page TXT	All Service Modes
3EU1	L01EF1 x.y	TDA9565	West Europe, 10 page TXT	All Service Modes
3EU2	L01EF2 x.y	TDA9563	East Europe, 10 page TXT	All Service Modes
Abbreviations: E= Europe, F= Full TXT, M= mono, T= 1 page TXT				

CL 16532008_045.eps
210501

Figure 5-2

5.2.1 Service Default Mode (SDM)

Purpose

- To create a predefined setting to get the same measurement results as given in this manual.
- To override SW protections.
- To start the blinking LED procedure.

Specifications

- Tuning frequency:
 - 475.25 MHz for PAL/SECAM (Europe and AP-PAL).
 - 61.25 MHz (channel 3) for NTSC-sets (NAFTA, LATAM and AP-NTSC).
- Colour system:
 - PAL-M for LATAM BI/TRI/FOUR-NORMA.
 - SECAM L for France.
 - NTSC for NAFTA and AP-NTSC.
 - PAL-BG for Europe and AP-PAL.
- All picture settings at 50 % (brightness, colour contrast, hue).
- Bass, treble and balance at 50 %; volume at 25 %.
- All service-unfriendly modes (if present) are disabled, like:
 - (sleep) timer,
 - child/parental lock,
 - blue mute,
 - hotel/hospitality mode
 - auto switch-off (when no 'IDENT' video signal is received for 15 minutes),
 - skip / blank of non-favorite presets / channels,
 - auto store of personal presets,
 - auto user menu time-out.

How to enter SDM

Use one of the following methods:

- Use a standard customer RC-transmitter and key in the code '062596' directly followed by the MENU button or
- Short wires 9631 and 9641 on the mono carrier (see Fig. 8-1) and apply Mains power. Then press the power button (remove the short after start-up). **Caution:** Entering SDM by shorten wires 9631 and 9641 will override the +8V-protection. Do this only for a short period. When doing this, the service-technician must know exactly what he is doing, as it could lead to damaging the set.
- Or via ComPair.

After entering SDM, the following screen is visible, with SDM at the upper right side for recognition.

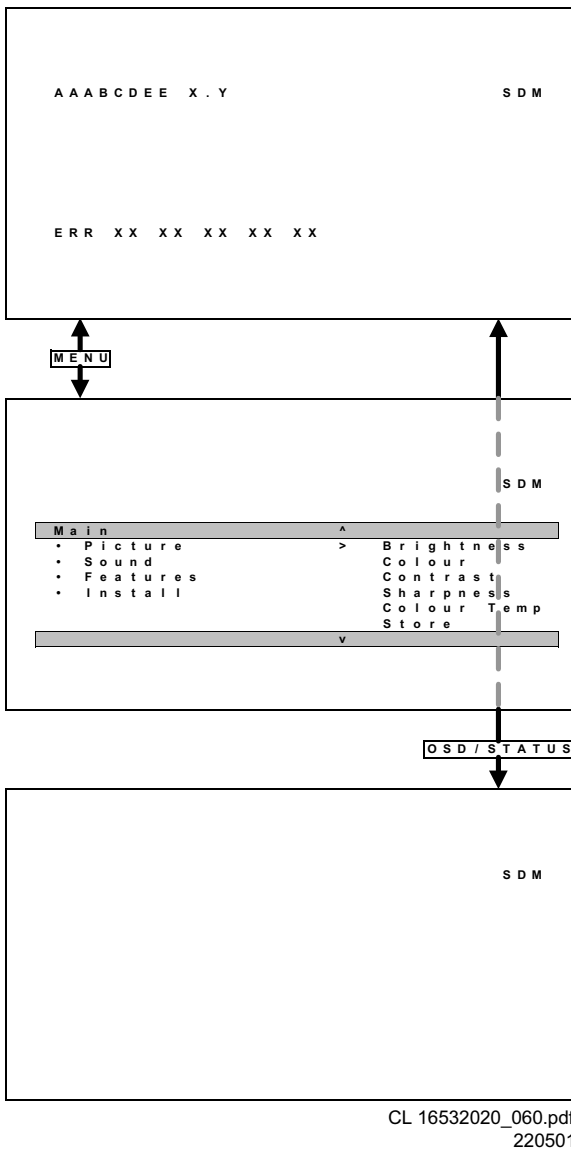


Figure 5-3

How to navigate

Use one of the following methods:

- When you press the MENU button on the remote control, the set will switch between the SDM and the normal user menu (with the SDM mode still active in the background). Return to the SDM screen with the OSD / STATUS button.
- When you press the OSD / STATUS button on the remote control, the menu will show or hide the error buffer. This feature is available to prevent interference during waveform measurements.
- On the TV, press and hold the 'VOLUME down' and press the 'CHANNEL down' for a few seconds, to switch from SDM to SAM and reverse.

How to exit

Switch the set to STANDBY by pressing the power button on the remote control transmitter (if you switch the set 'off' by removing the Mains power, the set will return in SDM when Mains power is re-applied). The error buffer is cleared.

5.2.2 Service Alignment Mode (SAM)**Purpose**

- To perform alignments.
- To change option settings.
- To display / clear the error code buffer.

Specifications

- Operation hours counter.
- Software version.
- Option settings.
- Error buffer reading and erasing.
- Software alignments.

How to enter

Use one of the following methods:

- Use a standard customer RC-transmitter and key in the code '062596' directly followed by the OSD / STATUS button or
- Via ComPair.

The following screen is visible, with SAM at the upper right side for recognition.

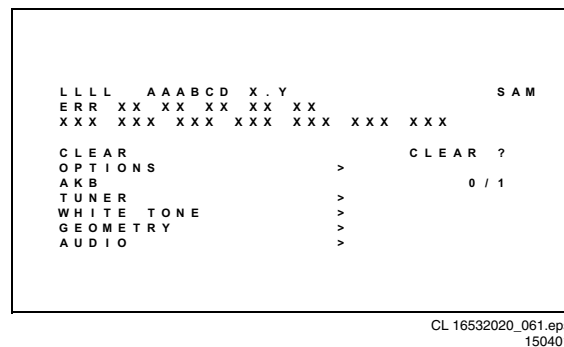


Figure 5-4

1. **LLLL** This is the operation hours counter. It counts the normal operation hours, not the standby hours.
2. **AAABCD-X.Y** This is the software identification of the main micro controller:
 - A = the project name (L01).
 - B = the region: E = Europe, A = Asia Pacific, U = NAFTA, L = LATAM.
 - C = the software diversity: D= DVD, F= full TXT, M= mono, T= 1 page TXT.
 - D = the language cluster number.
 - X = the main software version number.
 - Y = the sub software version number.
3. **SAM** Indication of the actual mode.
4. **Error buffer** Five errors possible.
5. **Option bytes** Seven codes possible.
6. **Clear** Erase the contents of the error buffer. Select the CLEAR menu item and press the CURSOR RIGHT key. The content of the error buffer is cleared.
7. **Options** To set the Option Bytes. See chapter 8.3.1 for a detailed description.
8. **AKB** Disable (0) or enable (1) the 'black current loop' (AKB = Auto Kine Bias).
9. **Tuner** To align the Tuner. See chapter 8.3.2 for a detailed description.
10. **White Tone** To align the White Tone. See chapter 8.3.3 for a detailed description.
11. **Geometry** To align the Geometry. See chapter 8.3.4 for a detailed description.
12. **Audio** To align the Audio. See chapter 8.3.5 for a detailed description.

How to navigate

Use one of the following methods:

- In SAM, select menu items with the CURSOR UP/DOWN key on the remote control transmitter. The selected item will be highlighted. When not all menu items fit on the screen, move the CURSOR UP/DOWN key to display the next / previous menu items.
- With the CURSOR LEFT/RIGHT keys, it is possible to:
 - (De)activate the selected menu item.
 - Change the value of the selected menu item.

- Activate the selected submenu.
- When you press the MENU button twice, the set will switch to the normal user menus (with the SAM mode still active in the background). To return to the SAM menu press the OSD / STATUS button [i+].
- When you press the MENU key in a submenu, you will return to the previous menu.

How to exit

Switch the set to STANDBY by pressing the power button on the remote control (if you switch the set 'off' by removing the Mains power, the set will return in SAM when Mains power is re-applied). The error buffer is **not** cleared.

5.2.3 Customer Service Mode (CSM)**Purpose**

When a customer is having problems with his TV-set, he can call his dealer. The service technician can then ask the customer to activate the CSM, in order to identify the status of the set. Now, the service technician can judge the severness of the complaint. In a lot of cases he can advise the customer how to solve the problem, or he can decide if it is necessary to visit the customer.

The CSM is a read only mode, therefore modifications in this mode are not possible.

How to enter

The CSM will be turned on after pressing the MUTE key on the remote control transmitter and any of the control buttons on the TV for at least 4 seconds **simultaneously**. This activation only works if there is no menu on the screen.

After switching ON the Customer Service Mode, the following screen will appear:

```

1  AAABCD X.Y          CSM
2  CODES  XX XX XX XX XX
3  OP     XXX XXX XXX XXX XXX XXX XXX
4  DETECTED SYSTEM DETECTED SOUND
5  NOT TUNED SKIPPED
6  TIMER
7
8  CO XX  CL XX  BR XX  HU XX  SH XX
9  VL XX  BL XX  AVL  DV XX
10 TR XX  BS XX

```

CL 16532008_046.eps
220501

Figure 5-5

1. Software identification of the main micro controller (see paragraph 5.2.2 for an explanation).
2. Error code buffer (see paragraph 5.5 for more details). Displays the last seven errors of the error code buffer.
3. In this line, the Option Bytes (OB) are visible. Each Option Byte is displayed as a decimal number between 0 and 255. The set may not work correctly when an incorrect option code is set. See chapter 8.3.1 for more information on the option settings.
4. Indicates which color and sound system is installed for the selected pre-set.
5. Indicates if the set is not receiving an 'IDENT' signal on the selected source. It will display 'Not Tuned'.
6. Indicates if the sleep timer is enabled.
7. Indicates if the V-chip feature is enabled.
8. Value indicates parameter levels at CSM entry. CO= CONTRAST, CL= COLOR, BR= BRIGHTNESS, HU= HUE, SH= SHARPNESS
9. Value indicates parameter levels at CSM entry. VL= VOLUME LEVEL, BL= BALANCE LEVEL, AVL= AUTO VOLUME LEVEL LIMITER, DV= DELTA VOLUME

10. Value indicates parameter levels at CSM entry (only for stereo sets). TR= TREBLE, BS= BASS

How to exit

Use one of the following methods:

- After you press 'any' key of the remote control transmitter with exception of the CHANNEL and VOLUME keys.
- After you switch-off the TV set with the Mains power switch.

5.3 Problems and Solving Tips (Related To CSM)**5.3.1 Picture Problems**

Note: Below described problems are all related to the TV settings. The procedures to change the value (or status) of the different settings are described.

No colours / noise in picture

Check CSM line 4. Wrong colour system installed. To change the setting:

1. Press the MENU button on the remote control.
2. Select the INSTALL sub menu.
3. Select the MANUAL STORE sub menu.
4. Select and change the SYSTEM setting until picture and sound are correct.
5. Select the STORE menu item.

Colours not correct / unstable picture

Check CSM line 4. Wrong colour system installed. To change the setting:

1. Press the MENU button on the remote control.
2. Select the INSTALL sub menu.
3. Select the MANUAL STORE sub menu.
4. Select and change the SYSTEM setting until picture and sound are correct.
5. Select the STORE menu item.

TV switches 'off' (or 'on') or changes the channel without any user action

(Sleep)timer switched the set 'off' or changed channel. To change the setting:

1. Press the MENU button on the remote control.
2. Select the FEATURES sub menu.
3. Select the TIMER sub menu.
4. Select and change the SLEEP or TIME setting.

Picture too dark or too bright

Increase / decrease the BRIGHTNESS and / or the CONTRAST value when:

- The picture improves after you have pressed the 'Smart Picture' button on the remote control.
 - The picture improves after you have switched on the Customer Service Mode
- The new 'Personal' preference value is automatically stored.

White line around picture elements and text

Decrease the SHARPNESS value when:

- The picture improves after you have pressed the 'Smart Picture' button on the remote control.
 - The picture improves after you have switched on the Customer Service Mode
- The new 'Personal' preference value is automatically stored.

Snowy picture

Check CSM line 5. If this line indicates 'Not Tuned', check the following:

- No or bad antenna signal. Connect a proper antenna signal.
- Antenna not connected. Connect the antenna.
- No channel / pre-set is stored at this program number. Go to the INSTALL menu and store a proper channel at this program number.

- The tuner is faulty (in this case the CODES line will contain error number 10). Check the tuner and replace / repair if necessary.

Snowy picture and/or unstable picture

- A scrambled or decoded signal is received.

Black and white picture

Increase the COLOR value when:

- The picture improves after you have pressed the 'Smart Picture' button on the remote control.
- The picture improves after you have switched on the Customer Service Mode

The new 'Personal' preference value is automatically stored.

Menu text not sharp enough

Decrease the CONTRAST value when:

- The picture improves after you have pressed the 'Smart Picture' button on the remote control.
- The picture improves after you have switched on the Customer Service Mode

The new 'Personal' preference value is automatically stored.

5.3.2 Sound Problems

No sound or sound too loud (after channel change / switching on)

Increase / decrease the VOLUME level when the volume is OK after you switched on the CSM. The new 'Personal' preference value is automatically stored.

5.4 ComPair

5.4.1 Introduction

ComPair (Computer Aided Repair) is a service tool for Philips Consumer Electronics products. ComPair is a further development on the European DST (service remote control), which allows faster and more accurate diagnostics. ComPair has three big advantages:

- ComPair helps you to quickly get an understanding on how to repair the chassis in a short time by guiding you systematically through the repair procedures.
- ComPair allows very detailed diagnostics (on I²C level) and is therefore capable of accurately indicating problem areas. You do not have to know anything about I²C commands yourself because ComPair takes care of this.
- ComPair speeds up the repair time since it can automatically communicate with the chassis (when the microprocessor is working) and all repair information is directly available. When ComPair is installed together with the SearchMan electronic manual of the defective chassis, schematics and PWBs are only a mouse click away.

5.4.2 Specifications

ComPair consists of a Windows based faultfinding program and an interface box between PC and the (defective) product. The ComPair interface box is connected to the PC via a serial or RS232 cable.

In case of the L01 chassis, the ComPair interface box and the TV communicate via a bi-directional service cable via the service connector (located on the Main panel, see also figure 8-1 suffix D).

The ComPair faultfinding program is able to determine the problem of the defective television. ComPair can gather diagnostic information in two ways:

- Automatic (by communication with the television): ComPair can automatically read out the contents of the entire error buffer. Diagnosis is done on I²C level. ComPair can access the I²C bus of the television. ComPair can send and

receive I²C commands to the micro controller of the television. In this way, it is possible for ComPair to communicate (read and write) to devices on the I²C busses of the TV-set.

- Manually (by asking questions to you): Automatic diagnosis is only possible if the micro controller of the television is working correctly and only to a certain extend. When this is not the case, ComPair will guide you through the faultfinding tree by asking you questions (e.g. Does the screen give a picture? Click on the correct answer: YES / NO) and showing you examples (e.g. Measure test-point I7 and click on the correct oscillogram you see on the oscilloscope). You can answer by clicking on a link (e.g. text or a waveform picture) that will bring you to the next step in the faultfinding process.

By a combination of automatic diagnostics and an interactive question / answer procedure, ComPair will enable you to find most problems in a fast and effective way.

Beside fault finding, ComPair provides some **additional features** like:

- Up- or downloading of pre-sets.
- Managing of pre-set lists.
- Emulation of the (European) Dealer Service Tool (DST).
- If both ComPair and SearchMan (Electronic Service Manual) are installed, all the schematics and the PWBs of the set are available by clicking on the appropriate hyperlink. **Example:** Measure the DC-voltage on capacitor C2568 (Schematic/Panel) at the Monocarrier. Click on the 'Panel' hyperlink to automatically show the PWB with a highlighted capacitor C2568. Click on the 'Schematic' hyperlink to automatically show the position of the highlighted capacitor.

5.4.3 How To Connect

- First install the ComPair Browser software (see the Quick Reference Card for installation instructions).
- Connect the RS232 interface cable between a free serial (COM) port of your PC and the PC connector (marked with 'PC') of the ComPair interface.
- Connect the Mains power adapter to the supply connector (marked with 'POWER 9V DC') on the ComPair interface.
- Switch the ComPair interface OFF.
- Switch the television set OFF (remove the Mains power).
- Connect the ComPair interface cable between the connector on the rear side of the ComPair interface (marked with 'I²C') and the ComPair connector on the mono carrier (see figure 8-1 suffix D).
- Plug the Mains power adapter in the Mains power outlet and switch on the interface. The green and red LEDs light up together. The red LED extinguishes after approx. 1 second while the green LED remains lit.
- Start the ComPair program and read the 'introduction' chapter.

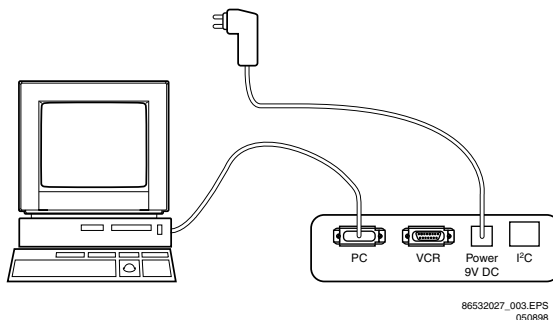


Figure 5-6

5.4.4 How To Order

ComPair order codes:

- Starter kit ComPair + SearchMan software + ComPair interface (excluding transformer): 4822 727 21629
- ComPair interface (excluding transformer): 4822 727 21631
- Starter kit ComPair software (registration version): 4822 727 21634
- Starter kit SearchMan software: 4822 727 21635
- ComPair CD (update): 4822 727 21637
- SearchMan CD (update): 4822 727 21638
- ComPair interface cable: 3122 785 90004

5.5 Error Buffer

The error code buffer contains all detected errors since the last time the buffer was erased. The buffer is written from left to right. When an error occurs that is not yet in the error code buffer, it is written at the left side and all other errors shift one position to the right.

5.5.1 How to Read the Error Buffer

Use one of the following methods:

- On screen via the SAM (only if you have a picture).
Examples:
 - ERROR: **0 0 0 0** : No errors detected
 - ERROR: **6 0 0 0** : Error code 6 is the last and only detected error
 - ERROR: **9 6 0 0** : Error code 6 was first detected and error code 9 is the last detected (newest) error
- Via the blinking LED procedure (when you have no picture). See next paragraph.

- Via ComPair.

5.5.2 How to Clear the Error Buffer

The error code buffer is cleared in the following cases:

- By activation of the CLEAR command in the SAM menu:
- When you exit SDM / SAM with the STANDBY command on the remote control (when leaving SDM / SAM, by disconnecting the set from Mains power, the error buffer is not reset).
- When you transmit the command DIAGNOSE-99-OK with ComPair.
- If the content of the error buffer has not changed for 50 hours, it resets automatically.

5.5.3 Error Codes

In case of non-intermittent faults, clear the error buffer before you begin the repair. These to ensure that old error codes are no longer present.

If possible, check the entire contents of the error buffer. In some situations, an error code is only the result of another error code and not the actual cause (e.g., a fault in the protection detection circuitry can also lead to a protection).

ERROR CODE TABLE				
Error	Device	Error description	Def. item	Diagram
0	Not applicable	No Error		
1	Not applicable	X-Ray/overvoltage protection (USA only)	2465, 7460	A2
2	Not applicable	Horizontal protection	7460, 7461, 7462, 7463, 6467	A2
	TDA8359/TDA9302	Vertical protection	7861, VlotAux+13V	A2, A3
3	Reserve			
4	MSP34X5 / TDA9853	MSP I ² C identification error	7831 or 7861	A9 or A11
5	TDA95xx	POR 3V3 / +8V protection	7200, 7560, 7480	A5, A6, A7, A1, A2
6	I ² C bus	General I ² C bus error	7200, 3624, 3625	A7
7	AN7522/3	Power down (over current) protection	7901 / 7902, 7561	A8, A1
8	Not applicable	E/W protection (Large Screen)	7400, 3405, 3406, 3400	A2
9	M24C08	NVM I ² C identification error	7602, 3611, 3603/04	A7
10	Tuner	Tuner I ² C identification error	1000, 7482	A4, A2
11	TDA6107/8	Black current loop protection	7330, RGB amps, CRT	B1, B2
12	M65669	PIP I ² C identification error	7803	P

CL 16532008_047.pdf
210501

Figure 5-7

5.6 The Blinking LED Procedure

Via this procedure, you can make the contents of the error buffer visible via the front LED. This is especially useful when there is no picture.

When the SDM is entered, the LED will blink the contents of the error-buffer.

Error-codes ≥ 10 are shown as follows:

- a long blink of 750 ms (which is an indication of the decimal digit),
- a pause of 1.5 s,
- n short blinks ($n = 1 - 9$),
- when all the error-codes are displayed, the sequence finishes with a LED blink of 3 s,
- the sequence starts again.

Example of error buffer: **12 9 6 0 0**

After entering SDM:

- 1 long blink of 750 ms followed by a pause of 1.5 s,
- 2 short blinks followed by a pause of 3 s,
- 9 short blinks followed by a pause of 3 s,
- 6 short blinks followed by a pause of 3 s,
- 1 long blink of 3 s to finish the sequence,
- the sequence starts again.

5.7 Protections

If a fault situation is detected an error code will be generated and if necessary, the set will be put in the protection mode. Blinking of the red LED at a frequency of 3 Hz indicates the protection mode. In some error cases, the microprocessor does not put the set in the protection mode. The error codes of the error buffer can be read via the service menu (SAM), the blinking LED procedure or via ComPair. The DST diagnose functionality will force the set into the Service-standby, which is similar to the usual standby mode, however the microprocessor has to remain in normal operation completely.

To get a quick diagnosis the chassis has three service modes implemented:

- The Customer Service Mode (CSM).
- The Service Default Mode (SDM). Start-up of the set in a predefined way.
- The Service Alignment Mode (SAM). Adjustment of the set via a menu and with the help of test patterns.

See for a detailed description Chapter 9 paragraphs Deflection and Power Supply.

5.8 Repair Tips

Below some failure symptoms are given, followed by a repair tip.

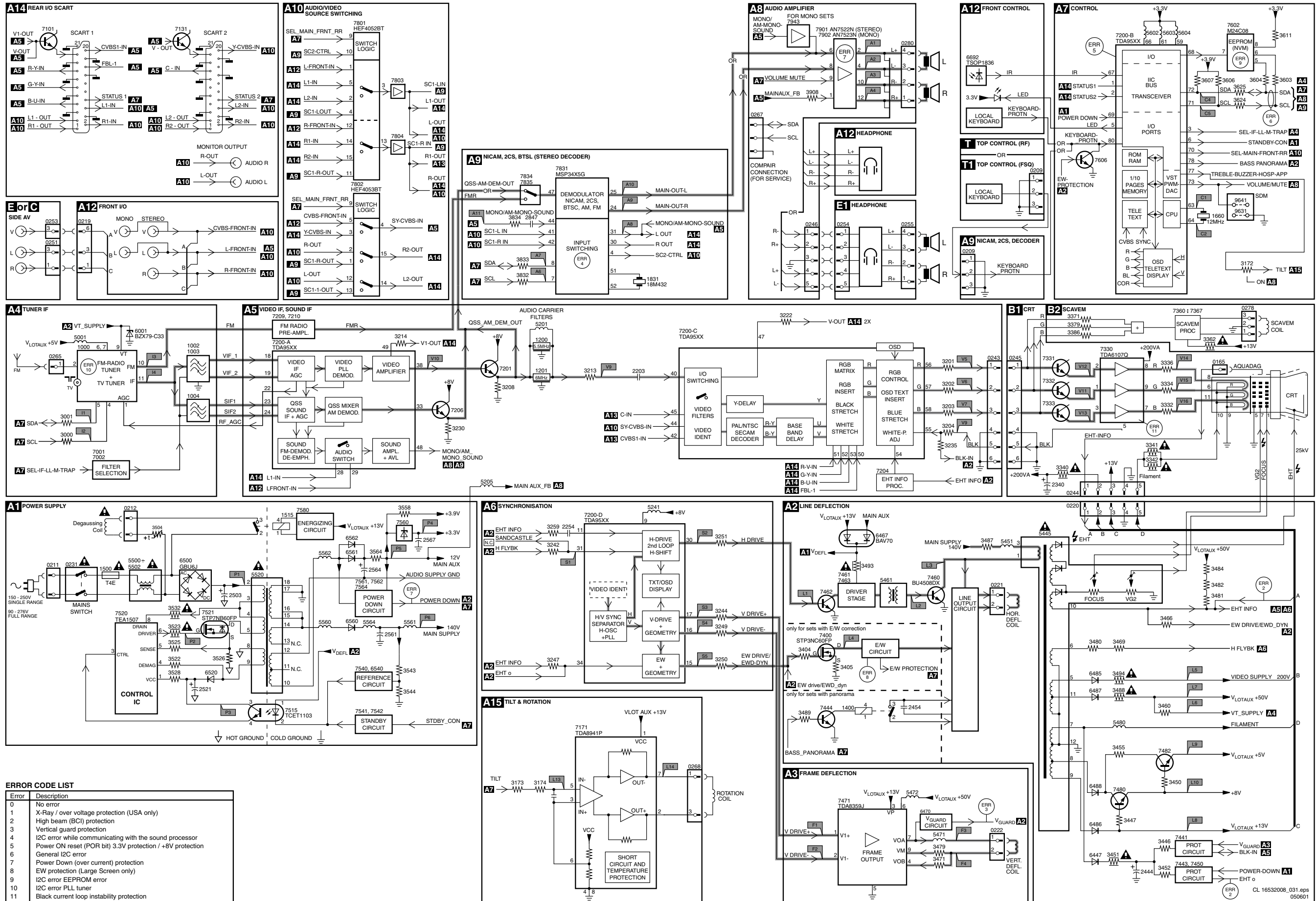
- **Set is dead and makes hiccuping sound**
'MainSupply' is available. Hiccuping stops when desoldering L5561, meaning that problem is in the 'MainSupply' load. No output voltages at LOT, no horizontal deflection. Reason: line transistor 7460 is defective.
- **Set is dead, and makes no sound**
Check power supply IC7520. Result: voltage at pins 1, 3, 4, 5 and 6 are about 180 V and pin 8 is 0 V. The reason why the voltage on these pins is so high is because the output driver (pin 6) has an open load. That is why MOSFET TS7521 is not able to switch. Reason: feedback resistor 3523 is defective.
Caution: be careful measuring on the gate of TS7521; circuitry is very high ohmic and can easily be damaged! (first connect ground to measuring equipment, than the gate).
- **Set is in hiccup mode and shuts down after 8 s.**

Blinking LED (set in SDM mode) indicates error 5. As it is unlikely that μ P 'POR' and '+8V protection' happen at the same time, measure the '+8V'. If this voltage is missing, check transistor TS7480.

- **Set is non-stop in hiccup mode**
Set is in over current mode; check the secondary sensing (opto coupler 7515) and the 'MainSupply' voltage. Signal 'Stdbby_con' must be logic low under normal operation conditions and goes to high (3.3 V) under standby and fault conditions.
- **Set turns on, but without picture and sound**
The screen shows snow, but OSD and other menus are okay. Blinking LED procedure indicates error 10, so problem is expected in the tuner (pos. 1000). Check presence of supply voltages. As 'Vlotaux+5V' at pin 6 and 7 are okay, 'VT_supply' at pin 9 is missing. Conclusion: resistor 3460 or 3488 is defective.
- **Set turns on, but with a half screen at the bottom. Sound is okay**
Blinking LED (set in SDM mode) indicates error 2. Check 'Vlotaux+13V' and '+50V'. If they are okay, problem is expected in the vertical amplifier IC7471. Measure with a scope the waveform on pin 17 of the UOC. Measure also at pin 1 of IC7471. If here the signal is missing, a defective resistor R3244 causes the problem.

6. Block Diagram, Testpoints, I²C and Supply Voltage Overview

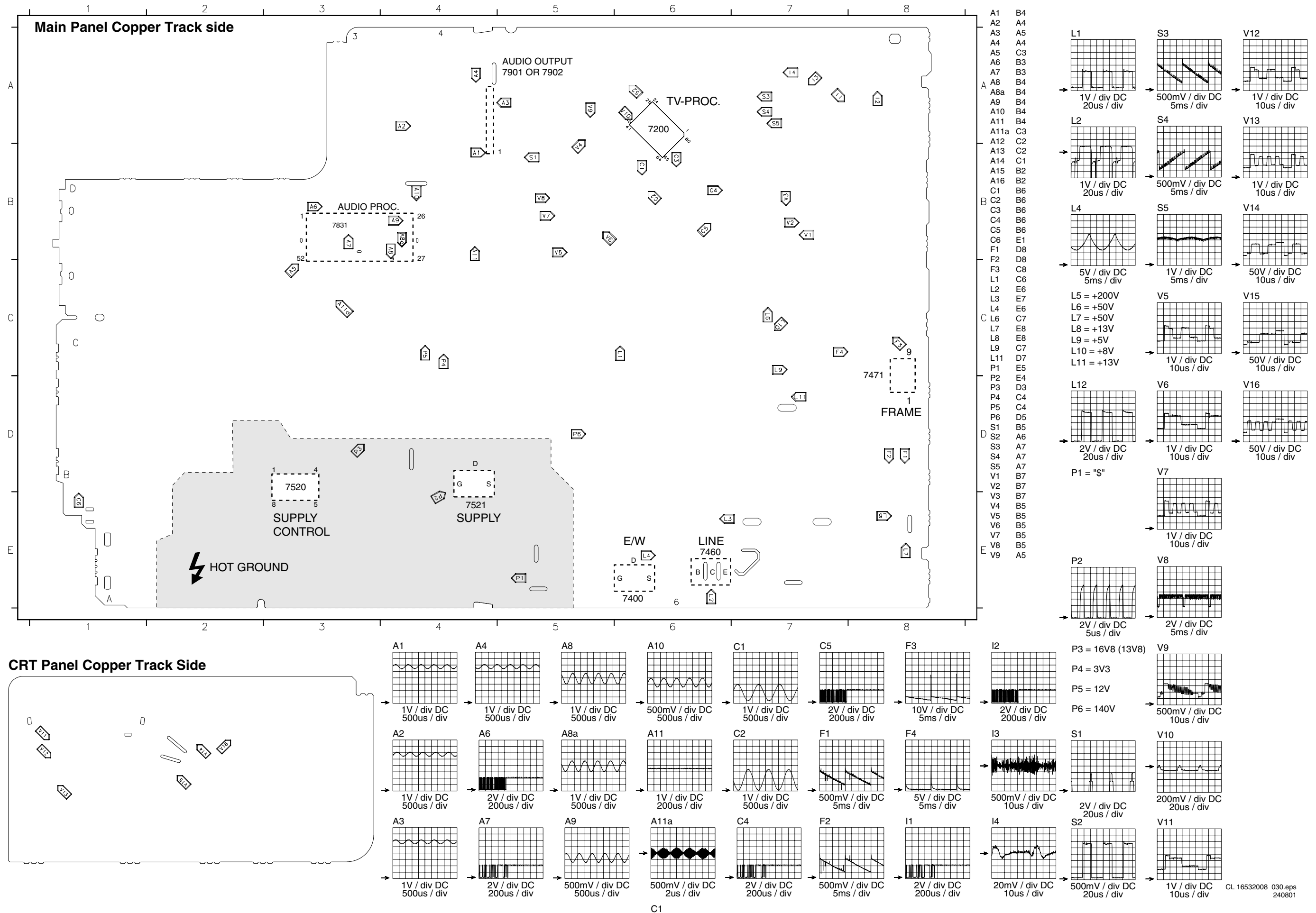
Block Diagram



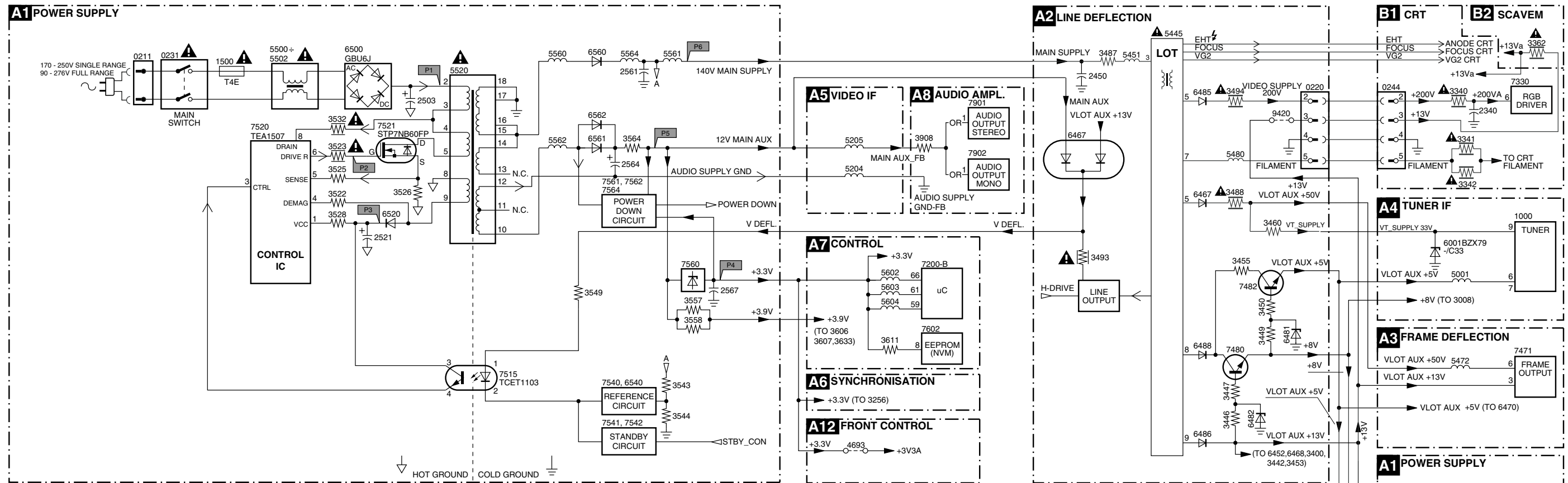
ERROR CODE LIST

Error	Description
0	No error
1	X-Ray / over voltage protection (USA only)
2	High beam (BCI) protection
3	Vertical guard protection
4	I2C error while communicating with the sound processor
5	Power ON reset (POR bit) 3.3V protection / +8V protection
6	General I2C error
7	Power Down (over current) protection
8	EW protection (Large Screen only)
9	I2C error EEPROM error
10	I2C error PLL tuner
11	Black current loop instability protection

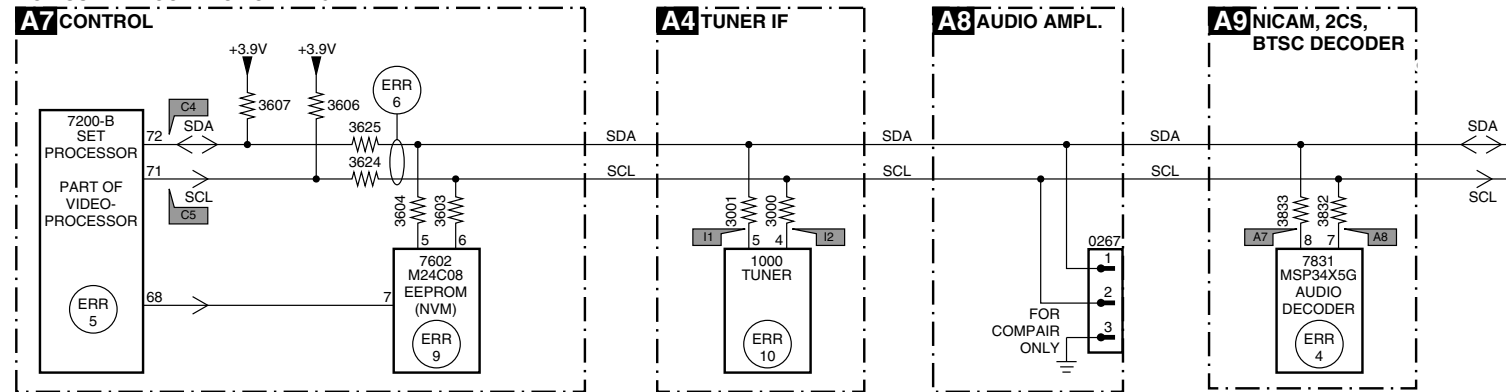
Testpoint Overview



I2C and Supply Voltage Diagram

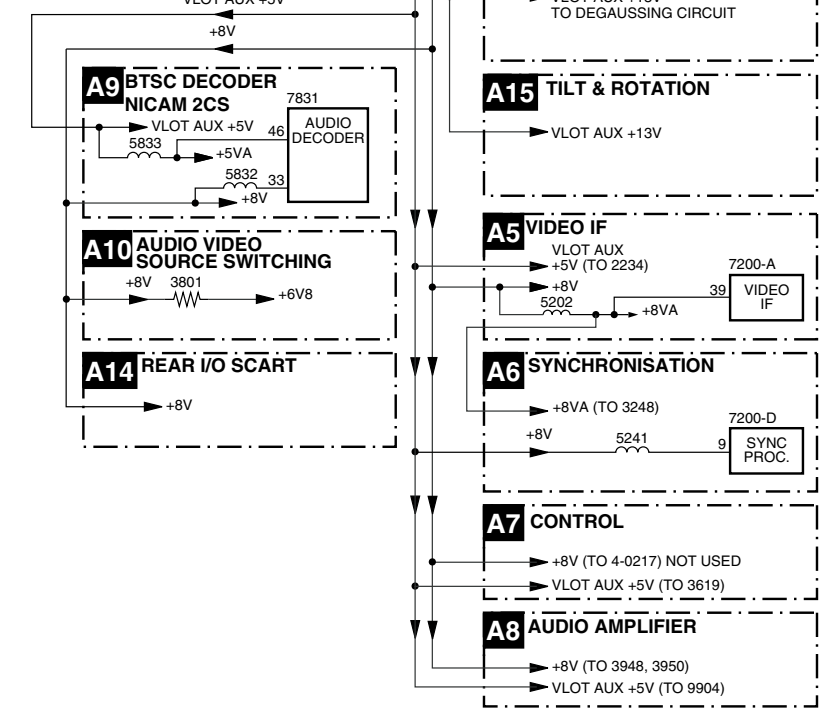


I2C BUS INTERCONNECTION DIAGRAM



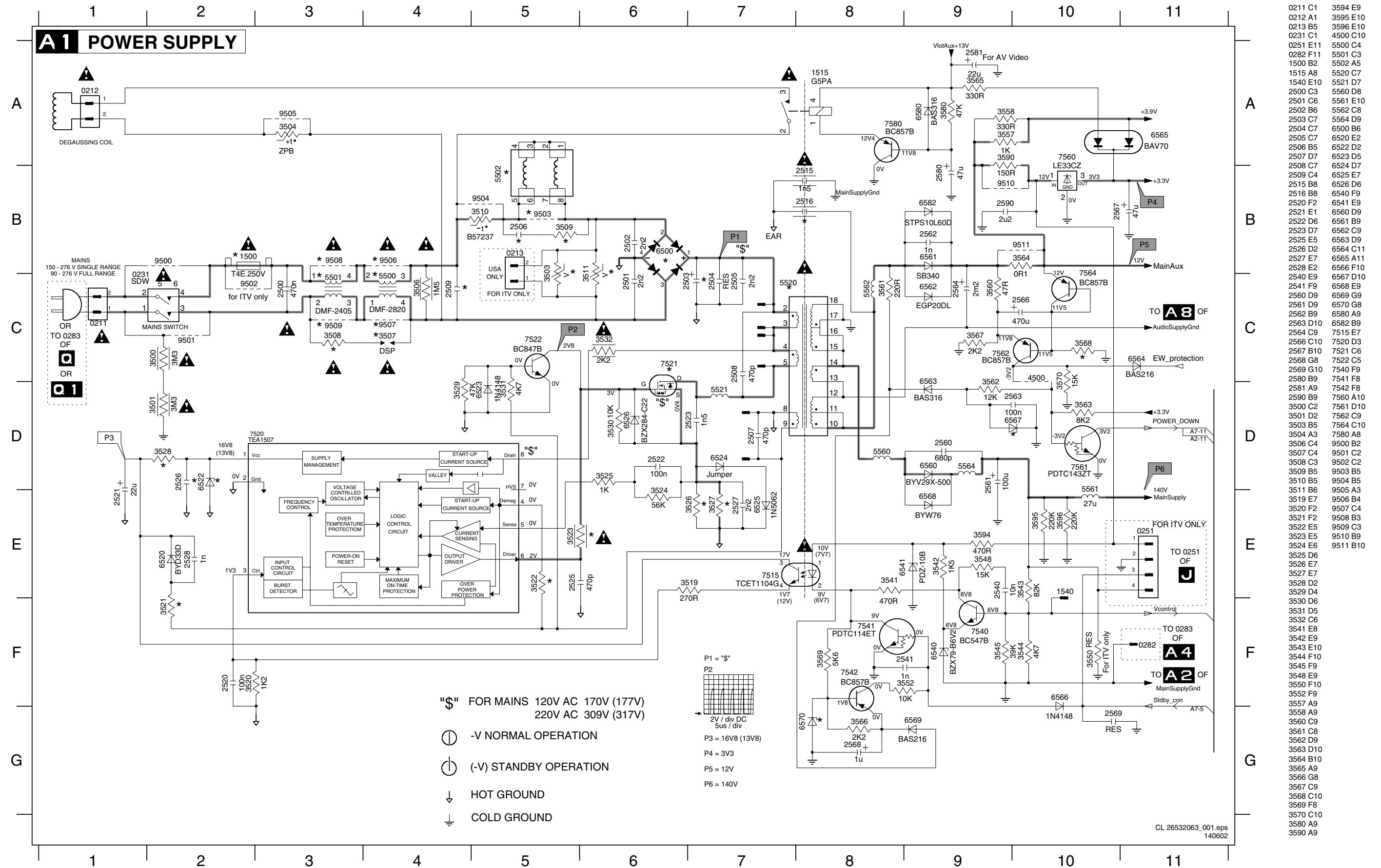
ERROR CODE LIST

Error	Description
0	No error
1	X-Ray / over voltage protection
2	High beam (BCI) protection
3	Vertical guard protection
4	I2C error while communicating with the sound processor
5	Power ON reset (POR bit) 3.3V protection / +8V protection
6	General I2C error
7	Power Good (over current) protection
8	EW protection (Large Screen only)
9	I2C error EEPROM error
10	I2C error PLL tuner
11	Black current loop instability protection



7. Schematics and PWB's

Mono Carrier: Power supply



Mono Carrier: Power supply Diversity Tables

DIVERSITY TABLE FOR **A1** POWER SUPPLY

REGION	NA	LA
MAINS RANGE	LR	FR
AUDIO OUTPUT	2X5W	2X5W
SET	25V-36V	21RB
2503	200V 470U	220V 220U
2505	1KV 2N2	1KV 2N2
2506	-	-
2509	-	-
2515	250V 1N5	250V 1N5
2516	-	-
2520	16V 100N	50V 10N
2526	-	16V 470N
2561	160V 100U	160V 47U
3503	-	-
3504	PTC 120V 3R	PTC 120V 3R
3509	-	-
3510	NTC B57237	-
3511	-	-
3521	4R7	4R7
3522	330K	330K
3523	RST FUSE 100R	RST FUSE 100R
3526	OR1	OR15
3627	OR33	-
3528	SMD JUMPER	10R
3545	270K	270K
3552	4K7	10K
3557	1K	1K
3561	100R	100R
3562	12K	12K
3563	5K6	8K2
3565	330R	330R
3594	330R	220R
3595	220K	220K
3596	220K	220K
4500	SMD JUMPER	-
4608	-	-
4609	-	-
5500	-	-
5501	FL MAINS 5MH	FIL MAINS 22MH
5502	-	-
5520	SS39009-04	SS35107-01
6500	GBU4JL-7002	GBU4JL-7002
6522	-	BZX384-C20
6524	1N5062	1N5062
6526	BZX384-C22	BZX384-C22
6541	BZX384-C10	BZX384-C9V1
6560	BYV29X-500(PHSE)	-
6566	1N4148	1N4148
6567	-	-
6568	-	BYW76-RAS 15/10
6570	BZX384-C6V8	BZX384-C6V8
6582	-	-
7521	STP8NC50FP	2SK2750

ITEM	SNDAMP-1x1W-MN-GL	SNDAMP-2x1W-ST-EU/AP	SNDAMP-1x3W-NA/LA	SNDAMP-2x10W-ST-AP/EU	SNDAMP-2x3W-ST-NA	SNDAMP-2x5W-ST-EU/AP	SNDAMP-2x5W-ST-IND-MKII	SNDAMP-2x5W-ST-LA	SNDAMP-2x1W-NA	SNDAMP-2x5W-LA
2566	470uF/6V3	470uF/6V3	470uF/6V3	---	470uF/6V3	470uF/6V3	---	470uF/6V3	470uF/6V3	470uF/6V3
3560	47R	47R	47R	---	47R	47R	---	47R	47R	47R
3564	OR1	OR1	OR1	---	OR1	OR1	---	OR1	OR1	OR1
3567	3K3	1K8	3K3	---	1K8	1K8	---	1K8	3K3	1K8
3568	8K2	8K2	8K2	---	8K2	8K2	---	8K2	8K2	8K2
6561	---	DIO SBE340	---	---	---	DIO SBE340	DIO SBE340	DIO SBE340	---	DIO SBE340
6562	DIO EGP20	---	DIO EGP20	---	DIO EGP20	---	---	---	DIO EGP20	---
7562	BC857B	BC857B	BC857B	---	BC857B	BC857B	---	BC857B	BC857B	BC857B
7564	BC857B	BC857B	BC857B	---	BC857B	BC857B	---	BC857B	BC857B	BC857B

ITEM	SNDAMP-2x3W-LA	SNDAMP-2x1W-NA	SNDAMP-2x3W-ST-NA	SNDAMP-2x5W-ST-AP	SNDAMP-2x3W-ST-NDBX-NA/LA	SNDAMP-2x5W-ST+WOOFER-IND	SNDAMP-1x4W-MN-AP	SNDAMP-2x5W-VD-ST-EU	SNDAMP-2x10W-VD-ST-EU
2566	470uF/6V3	470uF/6V3	470uF/6V3	470uF/6V3	470uF/6V3	---	---	---	---
3560	47R	47R	47R	47R	47R	---	---	---	---
3564	OR1	OR1	OR1	OR1	OR1	---	OR1	OR1	---
3567	1K8	3K3	1K8	1K8	1K8	---	---	---	---
3568	8K2	8K2	8K2	8K2	8K2	---	---	---	---
6561	---	---	---	DIO SBE340	---	DIO SBE340	---	DIO SB340	---
6562	DIO EGP20	DIO EGP20	DIO EGP20	---	DIO EGP20	---	DIO EGP20	---	---
7562	BC857B	BC857B	BC857B	BC857B	BC857B	---	---	---	---
7564	BC857B	BC857B	BC857B	BC857B	BC857B	---	---	---	---

ITEM	KEYBOARD-IR+LED-GL	R+LED-EU/LA/AP	TC.PNL+FI.PNL-INTERF EU/NA/AP	L2K2.FRNT.55K-NA	L2K2.FRNT.55K-LA	L2K2.FRNT.NON-55K-NA	L2K2.FRNT.NON-55K-LA	IR+LED.55K NA
3500	3M3	3M3	---	3M3	3M3	3M3	3M3	3M3
0239	3M3	3M3	---	3M3	3M3	3M3	3M3	3M3
9500	---	---	YES	YES	---	YES	---	YES
9501	---	---	YES	YES	---	YES	---	YES

ITEM	SINGLE SCART IN-DVD	DUAL SCART IN
2581	---	22uF
2132	---	390pF

Mono Carrier: Line Deflection Diversity Tables

1 2 3 4 5 6 7 8 9 10
 DIVERSITY TABLE FOR **A 2** LINE DEFLECTION

REGION	LATAM		NAFTA	
TUBE	PHILIPS	SMGK	SMGK	SMGK
EW/NON EW	NOEW	NO EW	NO EW	EW
TYPE OF TUBE	21RF	21RF	21RF	27RF (PIP)
ITEM				
2401	-	-	-	2U2
2402	-	-	-	470P
2404	-	-	-	47U
2405	220U-16V	220U-16V	220u-16v	220U-25V
2451	-	-	-	22N
2457	270N	270N	270N	360N
2462	-	-	-	-
2463	390P	680P	390P	820P
2464	-	-	-	2U2
2465	9N1	9N1	9N1	12N
2466	-	-	-	-
2467	15N	68N	15N	15N
2468	33N	33N	33N	15N
2482	33N	68N	33N	180N
3400	-	-	-	330R
3401	-	-	-	220K
3403	-	-	-	82K
3404	-	-	-	1K
3405	-	-	-	4R7
3406	-	-	-	4R7
3408	-	-	-	100R
3410	-	-	-	10K
3411	-	-	-	4R7
3447	180R	180R	180R	56R
3448	820R	820R	820R	470R
3451	10R	10R	10R	3R9
3452	47K	47K	5K1	5K1
3454	15K	15K	2K	2K
3456	SM JUMPER	SM JUMPER	SM JUMPER	SM JUMPER
3457	SM JUMPER	SM JUMPER	SM JUMPER	SM JUMPER
3468	-	-	-	100R
3481	18K	18K	18K	12K
3482	12K	8K2	12K	10K
3484	16	29	24	34
3486	-	-	-	22R
3491	SM 10K	SM 10K	24	SM 10K
3492	SM 820R	SM 1K	SM 820R	SM 1K
3493	6R8	6R8	6R8	6R8
3499	-	-	-	SM JUMPER
4401	-	-	-	SM JUMPER
4402	-	-	-	SM JUMPER
4430	-	-	-	-
5401	-	-	-	1000U
5445	2519	2519	2519	21421
5451	-	-	-	22U
5453	22U	22U	22U	22U
5457	00425	00425	00425	53201
5461	SC10015-00 B	SC10015-00 B	SC10015-00 B	SC10015-00 B
5463	-	-	-	CHOKE
5480	LAL04A 18U	LAL04A 22U	LAL04A 18U	LAL04A 33U
6400	-	-	-	1K
6401	-	-	-	BZX79-C47
6453	BZX384-C5V6	BZX384-C5V6	BZX384-C5V6	BZX384-C6V8
6460	BY228/24	BY228/24	BY228/24	BY228/24
6462	-	-	-	BZX79-C9V1
6463	BZX384-C9V1	BZX384-C8V2	BZX384-C9V1	BZX384-C10V
6467	-	-	-	-
6469	-	-	-	-
7400	-	-	-	STP3NC60FP
7450	PDTA114ET	PDTA114ET	PDTA114ET	PDTA114ET
7606	-	-	-	PDTC143ZT
9414	-	-	-	YES
9424	-	-	-	YES
9426	-	-	-	YES
9451	YES	YES	YES	YES
9463	-	-	-	YES
9646	-	-	-	YES
9655	-	-	-	YES
9656	-	-	-	YES
9685	-	-	-	YES
9921	-	-	-	YES

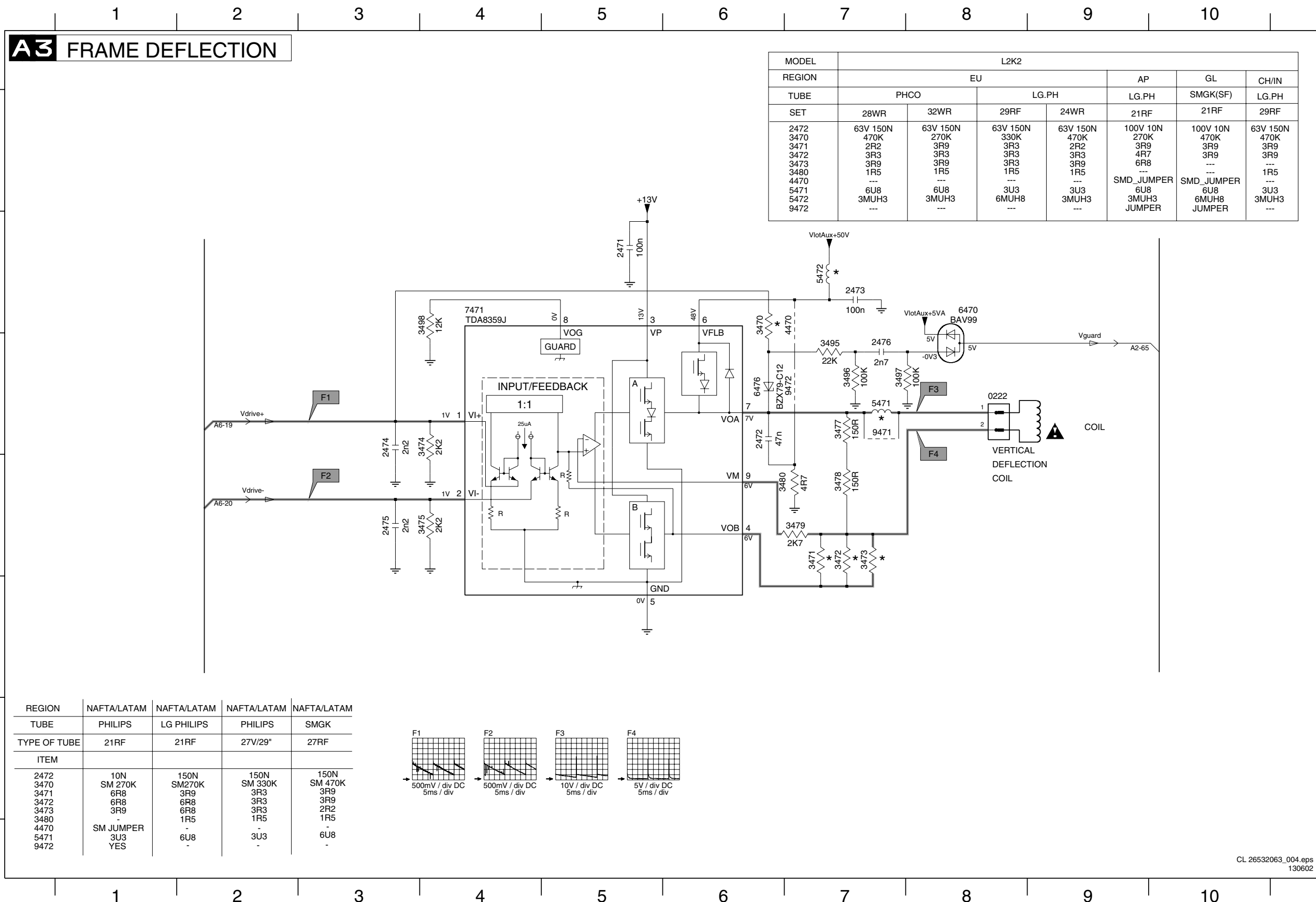
LATAM	L2K2													
REGION	EU					AP			AP/CH		IN		CH	
TUBE	PHCO		LG.PH			SMGK	LGPD	LG.PH	SMGK		SMGK	LG.PH	LG.PH	
ITEM	28WR	32WR	21RF	29RF	24WR	29RF	29RF-2x10W	21RF-2x10W	21RF-2x5W	29RF	21RF-2x10W	21RF-2x5W	29RF-2x5W	29FL-2x10W
5464	C946-01	C946-01	---	---	C946-01	---	---	---	---	---	---	---	---	---
5480	LAL04 39U	LAL04 39U	LAL04 22U	SPT0508 18U	LAL04 18U	LAL04 22U	LAL04 33U	LAL04 27U	LAL04 27U	LAL04 18U	LAL04 27U	LAL04 27U	LAL04 27U	LAL04 27U
6171	BYD 33D	---	---	---	BYD 33D	---	---	---	---	---	---	---	---	---
6401	BZX79-C68	BZX79-C68	BZX79-C47	BZX79-C47	BZX79-C68	BZX79-C47	BZX79-C47	BZX79-C47	BZX79-C47	BZX79-C47	BZX79-C47	BZX79-C47	BZX79-C47	BZX79-C47
6452	BAS 316	BAS 316	---	---	BAS 316	---	---	---	---	---	---	---	---	---
6460	DG3-7005L	DG3-7005L	BY228/24	BY228/24	BY228/24	BY228/24	BY228/24	BY228/24	BY228/24	BY228/24	BY228/24	BY228/24	BY228/24	BY228/24
6462	BZX78-C12	BZX78-C12	---	---	BZX78-C12	BZX79-C10	---	---	---	---	---	---	---	---
6463	---	---	BZX384-C12	BZX384-C10	---	---	BZX384-C12	BZX384-C12	BZX384-C10	BZX384-C10	BZX384-C12	BZX384-C8V2	BZX384-C10	BZX384-C12
6464	---	---	---	---	---	---	---	---	---	BAS 316	---	---	BAS 316	BAS 316
6467	---	---	---	---	---	BAS 316	---	---	---	---	---	---	---	---
6469	BYD 33J	BYD 33J	---	---	BYD 33D	BYD 33J	BYD 33J	BYD 33J	BYD 33J	BYD 33J	BYD 33J	---	---	BYD 33J
6490	BYD 33J	BYD 33J	---	---	BYD 33D	BYD 33J	---	---	---	BYD 33J	BYD 33J	---	---	BYD 33J
7444	BC547B	BC547B	---	---	BC547B	---	---	---	---	---	---	---	---	---
9423	---	---	JUMPER	JUMPER	---	JUMPER	---	---	JUMPER	---	---	JUMPER	JUMPER	---
9451	---	---	---	---	---	---	---	JUMPER	JUMPER	JUMPER	JUMPER	JUMPER	JUMPER	JUMPER
9460	---	---	JUMPER	JUMPER	---	JUMPER	JUMPER	JUMPER	JUMPER	JUMPER	JUMPER	JUMPER	JUMPER	JUMPER
9462	JUMPER	JUMPER	---	---	JUMPER	---	---	---	---	---	---	---	---	---
9463	---	---	JUMPER	JUMPER	---	JUMPER	JUMPER	JUMPER	JUMPER	JUMPER	JUMPER	JUMPER	JUMPER	JUMPER
9464	JUMPER	JUMPER	---	---	JUMPER	---	---	---	---	---	---	---	---	---
9635	JUMPER	JUMPER	---	---	JUMPER	---	---	---	---	---	---	---	---	---
9636	JUMPER	JUMPER	---	---	JUMPER	---	---	---	---	---	---	---	---	---
9921	JUMPER	JUMPER	JUMPER	JUMPER	JUMPER	JUMPER	JUMPER	---	---	---	---	---	---	---

Mono Carrier: Line Deflection Diversity Tables

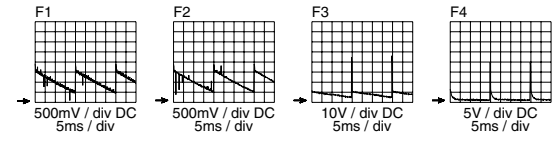
DIVERSITY TABLE FOR A2 LINE DEFLECTION

LATAM	L2K2														
REGION	EU						AP				AP/CH		IN		CH
TUBE	PHCO		LG.PH		SMGK		LGPD	LG.PH	SMGK		SMGK	LG.PH	LG.PH		
ITEM	28WR	32WR	21RF	29RF	24WR	29RF	29RF-2x10W	21RF-2x10W	21RF-2x5W	29RF	21RF-2x10W	21RF-2x5W	29RF-2x5W	29FL-2x10W	
1400	12V 5A LKS1A-H10	12V 5A LKS1A-H10	---	---	12V 5A LKS1A-H10	---	---	---	---	---	---	---	---	---	
2174	50V 470P	---	---	---	---	---	---	---	---	---	---	---	---	---	
2175	16V 470U	---	---	---	---	---	---	---	---	---	---	---	---	---	
2209	50V 10U	50V 10U	50V 10U	50V 4U7	50V 10U	50V 10U	50V 10U	50V 22U	50V 22U	50V 4U7	50V 10U	50V 10U	50V 10U	50V 10U	
2216	10V 2200U	10V 2200U	16V 1000U	16V 1000U	10V 2200U	50V 1000U	16V 1000U	16V 1000U	16V 1000U	16V 1000U	16V 1000U	16V 1000U	16V 1000U	10V 2200U	
2243	50V 10N	50V 10N	50V 10N	50V 10N	50V 10N	50V 10N	50V 10N	50V 6N8	50V 6N8	50V 2N2	50V 6N8	50V 6N8	50V 2N2	50V 2N2	
2245	25V 330N	25V 330N	25V 330N	25V 220N	25V 220N	25V 220N	25V 220N	25V 330N	25V 330N	25V 220N	25V 220N	25V 220N	25V 100N	25V 100N	
2247	10V 2200U	10V 2200U	16V 2200U	16V 2200U	10V 2200U	16V 1000U	16V 1000U	16V 1000U	16V 1000U	16V 1000U	16V 1000U	16V 1000U	16V 1000U	10V 2200U	
2401	100V 2U2	100V 2U2	50V 2U2	50V 2U2	100V 2U2	50V 2U2	50V 2U2	50V 2U2	50V 2U2	50V 2U2	50V 2U2	50V 2U2	50V 2U2	50V 2U2	
2405	25V 220U	25V 220U	16V 220U	25V 220U	25V 220U	25V 220U	25V 220U	16V 220U	16V 220U	25V 220U	16V 220U	16V 220U	25V 220U	25V 220U	
2420	16V 1U	16V 1U	---	---	16V 1U	---	---	---	---	---	---	---	---	---	
2421	50V 470P	50V 470P	---	---	50V 470P	---	---	---	---	---	---	---	---	---	
2451	50V 22N	50V 22N	50V 15N	50V 22N	50V 22N	50V 22N	50V 22N	---	---	---	---	---	---	---	
2454	250V 68N	250V 68N	---	---	250V 68N	---	---	---	---	---	---	---	---	---	
2457	250V 470N	250V 470N	250V 330N	250V 330N	---	250V 330N	250V 330N	250V 270N	250V 270N	250V 360N	250V 270N	250V 270N	250V 330N	250V 330N	
2458	---	---	100V 2U2	100V 2U2	---	100V 2U2	100V 2U2	100V 2U2	100V 2U2	100V 2U2	100V 2U2	100V 2U2	100V 2U2	100V 2U2	
2463	2KV 680P	2KV 680P	2KV 470P	2KV 680P	2KV 1N2	2KV 680P	2KV 680P	2KV 470P	2KV 470P	2KV 2N2	2KV 390P	2KV 290P	2KV 2N2	2KV 2N2	
2464	---	---	160V 2U2	160V 2U2	---	160V 2U2	160V 2U2	160V 2U2	160V 2U2	160V 2U2	160V 2U2	160V 2U2	160V 2U2	160V 2U2	
2465	1K6V 12N	1K6V 12N	1K6V 8N2	1K6V 12N	1K6V 12N	1K6V 12N	1K6V 12N	1K6V 8N2	1K6V 8N2	1K6V 15N	1K6V 9N1	1K6V 9N1	1K6V 15N	1K6V 15N	
2466	---	---	400V 15N	400V 10N	---	400V 10N	400V 10N	---	---	---	---	---	---	---	
2467	1KV 9N1	1KV 9N1	---	---	1KV 9N1	---	---	400V 22N	400V 22N	400V 22N	400V 22N	400V 22N	400V 22N	400V 22N	
2468	1KV 9N1	1KV 9N1	---	400V 18N	1KV 9N1	400V 18N	400V 18N	400V 22N	400V 22N	400V 15N	400V 22N	400V 22N	400V 15N	400V 15N	
2469	250V 560N	250V 560N	---	---	250V 560N	---	---	---	---	---	---	---	---	---	
2482	250V 33N	250V 33N	250V 33N	250V 68N	250V 68N	250V 68N	250V 68N	250V 33N	250V 33N	250V 120N	250V 33N	250V 33N	250V 120N	250V 120N	
2490	100V 2U2	100V 2U2	400V 15N	---	100V 2U2	---	---	---	---	---	---	---	---	---	
2493	---	---	---	---	---	---	---	---	---	---	---	---	---	---	
3176	NFR25H 1R	---	---	---	---	---	---	---	---	---	---	---	---	---	
3206	120K	120K	220K	33K	220K	150K	150K	100K	100K	33K	82K	82K	68K	68K	
3247	560K	560K	180K	680K	680K	560K	560K	270K	270K	680K	270K	270K	680K	680K	
3250	1K	1K	8K2	8K2	1K	8K2	8K2	8K2	8K2	8K2	8K2	8K2	8K2	8K2	
3257	10M	10M	10M	10M	10M	10M	10M	10M	10M	10M	10M	10M	10M	10M	
3258	100K	100K	180K	270K	100K	270K	270K	390K	390K	100K	180K	180K	180K	180K	
3259	470K	470K	4M7	470K	470K	470K	470K	470K	470K	470K	470K	470K	470K	470K	
3400	330R	330R	330R	330R	---	330R	330R	330R	330R	330R	330R	330R	330R	330R	
3401	33K	33K	22K	22K	---	22K	22K	22K	22K	68K	33K	33K	33K	33K	
3403	100K	100K	68K	82K	100K	82K	82K	100K	100K	100K	100K	100K	100K	100K	
3405	4R7	4R7	4R7	4R7	10R	4R7	4R7	4R7	4R7	4R7	4R7	4R7	4R7	4R7	
3406	4R7	4R7	4R7	4R7	10R	4R7	4R7	4R7	4R7	4R7	4R7	4R7	4R7	4R7	
3407	4R7	4R7	---	---	---	---	---	---	---	---	---	---	---	---	
3408	10K	10K	100R	100R	10K	100R	100R	100R	100R	100R	100R	100R	100R	100R	
3447	180R	180R	180R	180R	180R	180R	180R	56R	56R	180R	180R	180R	56R	56R	
3465	56K	56K	22K	27K	27K	27K	27K	27K	27K	68K	27K	27K	27K	27K	
3468	180R	180R	180R	180R	---	180R	---	---	---	---	---	---	---	---	
3481	22K	22K	27K	10K	15K	15K	15K	15K	15K	15K	22K	22K	15K	15K	
3482	390R	390R	3K9	6K8	24K	5K6	5K6	12K	12K	8K2	3K9	3K9	8K2	8K2	
3486	3W 22R	3W 22R	3W 33R	3W 22R	3W 22R	3W 22R	3W 22R	---	---	---	---	---	---	---	
3489	3K9	3K9	---	---	3K9	---	---	---	---	---	---	---	---	---	
3491	3K3	3K3	10K	10K	3K3	---	10K	10K	10K	10K	10K	10K	10K	10K	
3492	330R	330R	1K	1K	330R	1K	1K	1K	1K	1K	1K	1K	1K	1K	
3499	---	---	---	---	---	---	---	---	---	---	---	---	---	---	
3617	4K7	4K7	---	---	4K7	---	---	---	---	---	---	---	---	---	
3619	8K2	8K2	---	---	8K2	---	---	---	---	---	---	---	---	---	
3640	100R	100R	---	---	100R	---	---	---	---	---	---	---	---	---	
4402	SMD JUMPER	SMD JUMPER	SMD JUMPER	SMD JUMPER	SMD JUMPER	SMD JUMPER	SMD JUMPER	---	---	---	---	---	---	---	
4430	---	---	---	---	---	---	---	---	---	---	---	---	---	---	
5180	27U	27U	---	---	---	---	---	---	---	---	---	---	---	---	
5400	BF40 C906-01	BF40 C906-01	---	---	8R40 C906-01	---	---	---	---	---	---	---	---	---	
5401	---	---	1000U	1000U	1000U	1000U	1000U	1000U	1000U	1000U	1000U	1000U	1000U	1000U	
5445	PSLOT 0V2076	PSLOT 0V2076	1342 0033C	PSLOT 29*RF	USLOT +S	USLOT 29*RF	PSLOT 29*RF	JF0501-2135	JF0501-2135	JF0501-2136	JF0501-2135	JF0501-2135	JF0501-2136	JF0501-2136	
5451	22U	22U	33U	22U	22U	22U	22U	---	---	---	---	---	---	---	
5453	---	---	JUMPER	JUMPER	---	---	---	---	---	---	---	---	---	---	
5457	LNCOR DRUM	25UH	LINCOR DRUM	LINCOR DRUM	LINCOR DRUM	LINCOR DRUM	LINCOR DRUM	82UH	82UH	LNCOR DRUM	82UH	82UH	LINCOR DRUM	LINCOR DRUM	
5461	SRW0913DR-T02	SRW0913DR-T02	SRW0913DR-T01	SRW0913DR-T06	SRW0913DR-T02	SRW0913DR-T02	SRW0913DR-T02	SC10009-03	SC100015-00	LNCOR DRUM	SC10009-03	SC100015-00	SC10013-00	SC10015-00	
5463	---	---	C957-02	CU15	---	CU15	CU15	C957-02	C957-02	CU15	C957-02	C957-02	CU15	---	

Mono Carrier: Frame Deflection

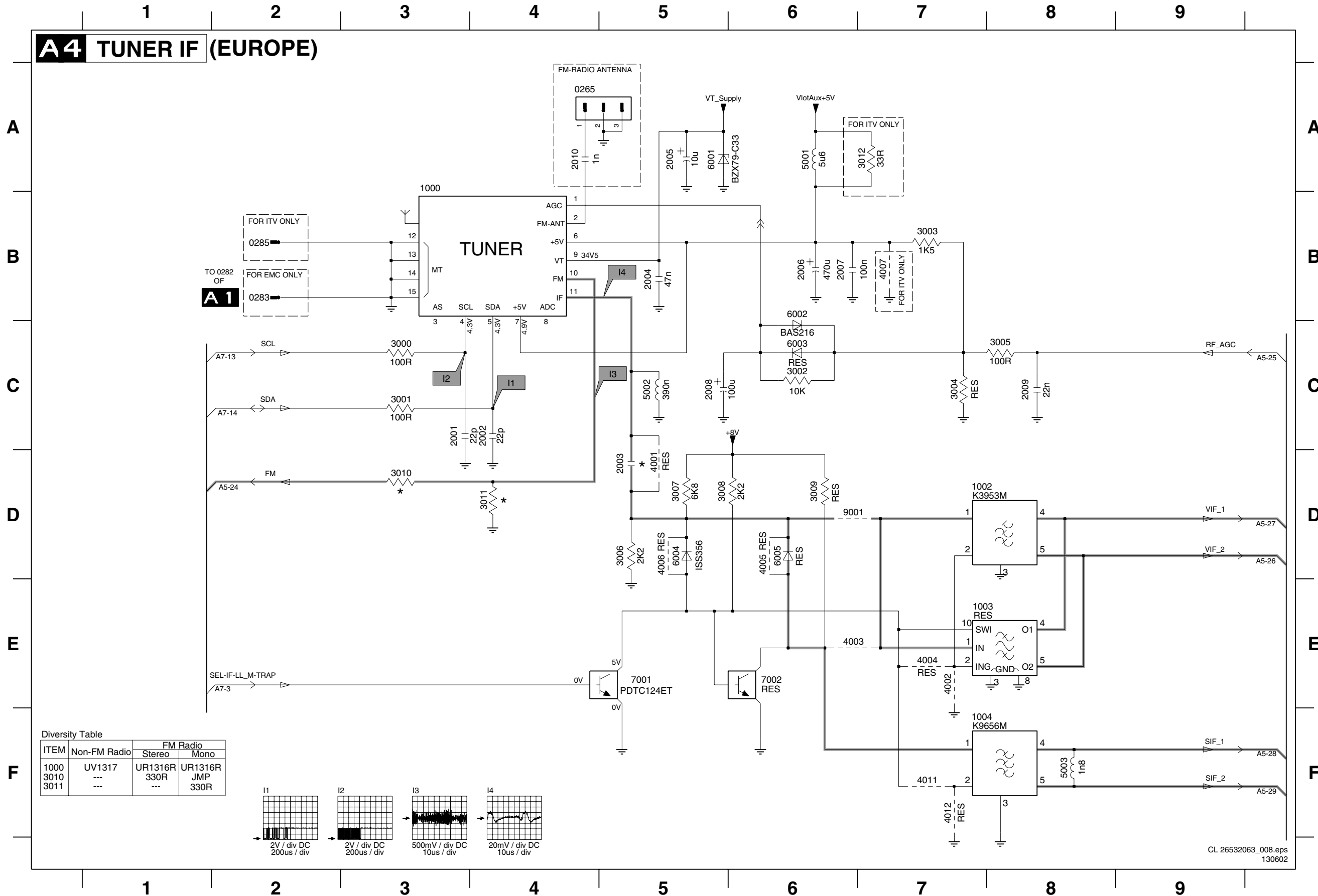


- 0222 C8
- 2471 B5
- 2472 C6
- 2473 B7
- 2474 C3
- 2475 D3
- 2476 C7
- 3470 B6
- 3471 D7
- 3472 D7
- 3473 D7
- 3474 C4
- 3475 D4
- 3477 C7
- 3478 D7
- 3479 D7
- 3480 D6
- 3495 C7
- 3496 C7
- 3497 C7
- 3498 B4
- 4470 B7
- 5471 C7
- 5472 B7
- 6470 B8
- 6476 C6
- 7471 B4
- 9471 C7
- 9472 C7



Mono Carrier: Tuner IF

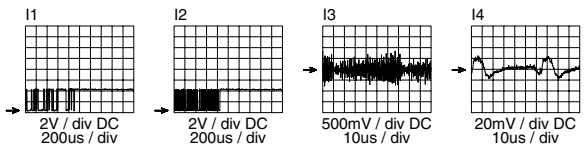
A4 TUNER IF (EUROPE)



- 0265 A4
- 0283 B2
- 0285 B2
- 1000 A3
- 1002 D7
- 1003 E7
- 1004 F7
- 2001 C3
- 2002 C4
- 2003 D5
- 2004 B5
- 2005 A5
- 2006 B6
- 2007 B6
- 2008 C5
- 2009 C8
- 2010 A4
- 3000 C3
- 3001 C3
- 3002 C6
- 3003 B7
- 3004 C7
- 3005 C8
- 3006 D5
- 3007 D5
- 3008 D5
- 3009 D6
- 3010 D3
- 3011 D4
- 3012 A7
- 4001 D5
- 4002 E7
- 4003 E6
- 4004 E7
- 4005 D6
- 4006 D5
- 4007 B7
- 4011 F7
- 4012 F7
- 5001 A6
- 5002 C5
- 5003 F8
- 6001 A5
- 6002 B6
- 6003 C6
- 6004 D5
- 6005 D6
- 7001 E5
- 7002 E6
- 9001 D6

Diversity Table

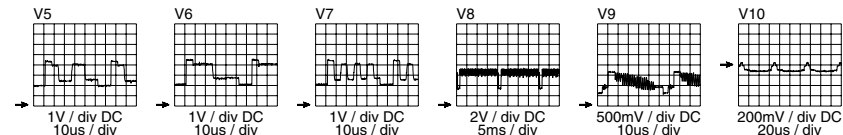
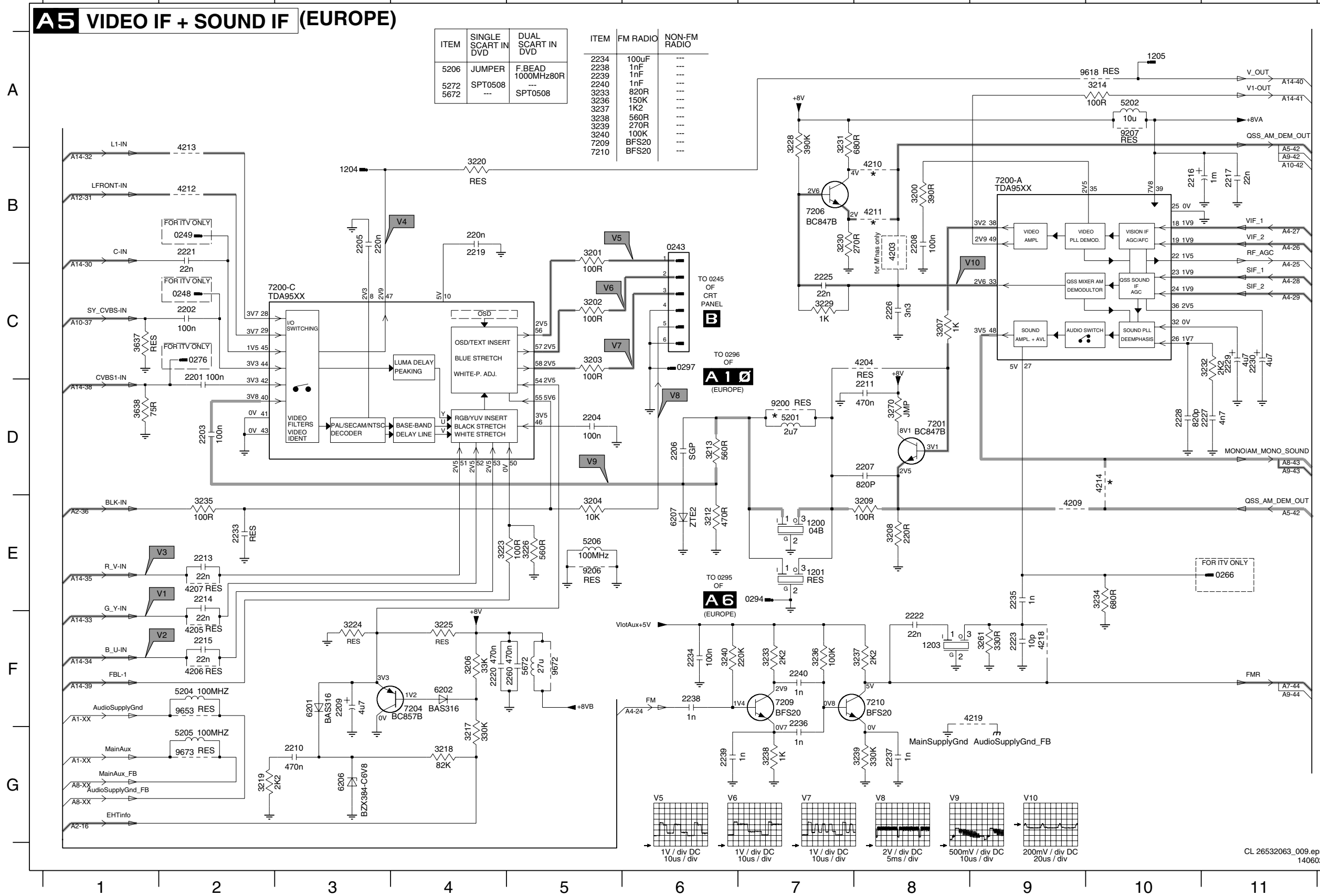
ITEM	Non-FM Radio	FM Radio	
		Stereo	Mono
1000	UV1317	UR1316R	UR1316R
3010	---	330R	JMP
3011	---	---	330R



Mono Carrier: Video IF + Sound IF

A5 VIDEO IF + SOUND IF (EUROPE)

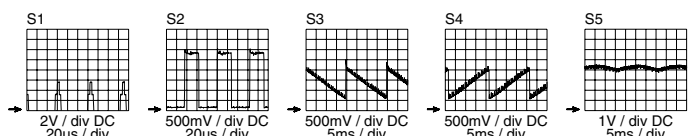
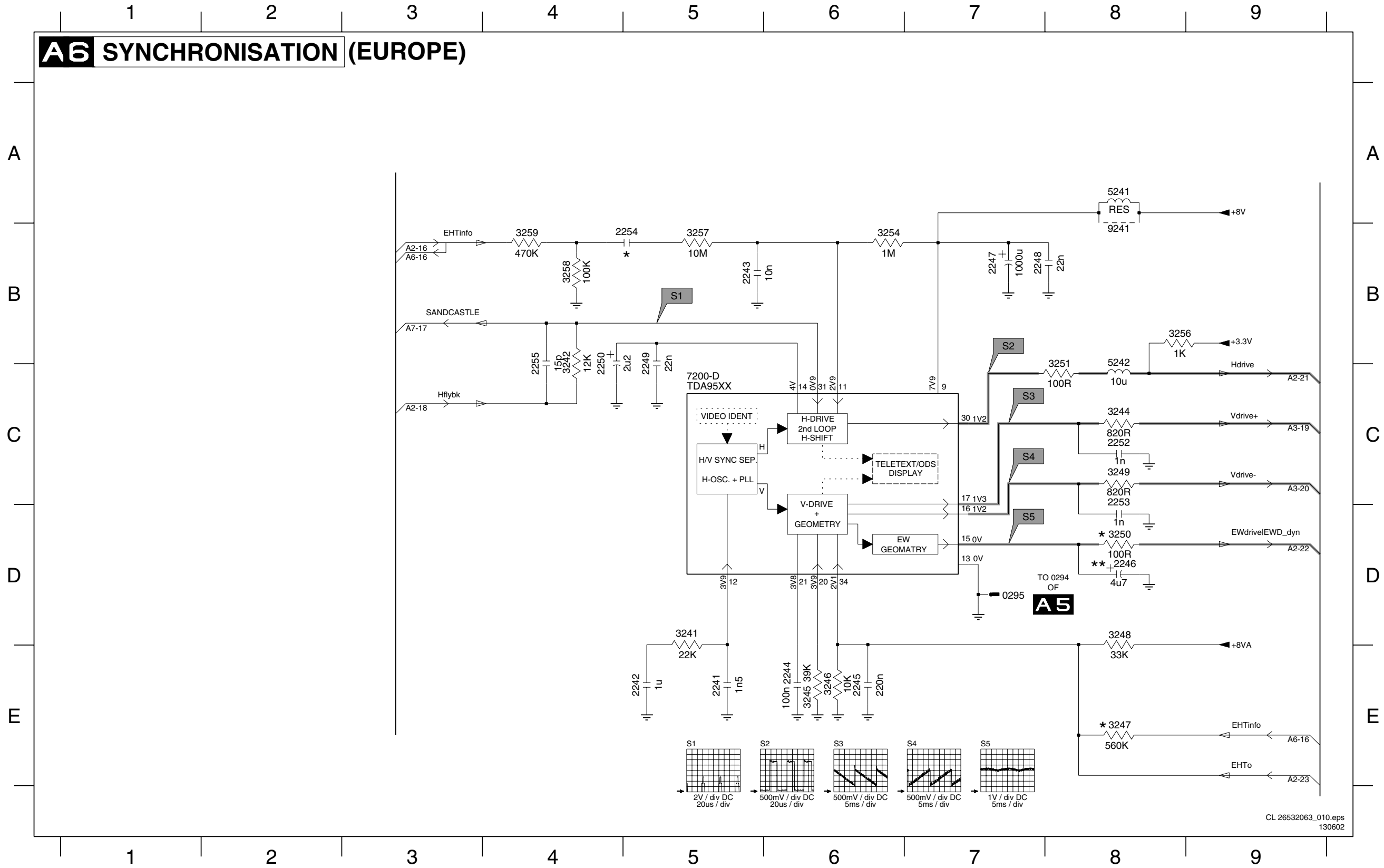
ITEM	SINGLE SCART IN DVD	DUAL SCART IN DVD	ITEM	FM RADIO	NON-FM RADIO
5206	JUMPER	F.BEAD 1000MHZ80R	2234	100uF	---
5272	SPT0508	---	2238	1nF	---
5672	---	SPT0508	2239	1nF	---
			2240	820R	---
			3233	150K	---
			3236	1K2	---
			3237	560R	---
			3238	270R	---
			3239	100K	---
			3240	BFS20	---
			7209	BFS20	---
			7210	BFS20	---



- 0243 B6
- 0248 C2
- 0249 B2
- 0266 E11
- 0276 C2
- 0294 E7
- 0297 C6
- 1200 E7
- 1201 E7
- 1203 F8
- 1204 B3
- 1205 A10
- 2201 D2
- 2202 C2
- 2203 D2
- 2204 D5
- 2205 B3
- 2206 D6
- 2207 D8
- 2208 B8
- 2209 F3
- 2210 G3
- 2211 D8
- 2212 E2
- 2213 E2
- 2214 E2
- 2215 F2
- 2216 B11
- 2217 B10
- 2219 B4
- 2220 F4
- 2221 B2
- 2222 F8
- 2223 F9
- 2225 C7
- 2226 C8
- 2227 D11
- 2228 D10
- 2229 C11
- 2230 C11
- 2233 E2
- 2234 F6
- 2235 E9
- 2236 F7
- 2237 G8
- 2238 F6
- 2239 G6
- 2240 F7
- 2260 F5
- 3200 B8
- 3201 B5
- 3202 C5
- 3203 C5
- 3204 E5
- 3206 F4
- 3207 C8
- 3208 E8
- 3209 E8
- 3212 E6
- 3213 D6
- 3214 A10
- 3217 G4
- 3218 G4
- 3219 G2
- 3220 B4
- 3223 E4
- 3224 F3
- 3225 F4
- 3226 E5
- 3228 A7
- 3229 C7
- 3230 B7
- 3231 A7
- 3232 C11
- 3233 F7
- 3234 E10
- 3235 E2
- 3236 F7
- 3237 F8
- 3238 G7
- 3239 G8
- 3240 F6
- 3261 F9
- 3270 D8
- 3637 C1
- 3638 D1
- 4203 B8
- 4204 C8
- 4205 F2
- 4206 F2
- 4207 E2
- 4209 E9
- 4210 B8
- 4211 B8
- 4212 B2
- 4213 A2
- 4214 D10
- 4218 F9
- 4219 F9
- 5202 D7
- 5202 A10
- 5204 F2
- 5205 G2
- 5206 E5
- 5206 F5
- 6201 F3
- 6202 F4
- 6206 G3
- 6207 E6
- 7200-A B9
- 7200-C C3
- 7210 D8
- 7204 F4
- 7213 E2
- 7206 B7
- 7209 F7
- 7210 F8
- 9200 D7
- 9206 E5
- 9207 A10
- 9618 A10
- 9653 F2
- 9672 F5
- 9673 G2

Mono Carrier: Synchronisation

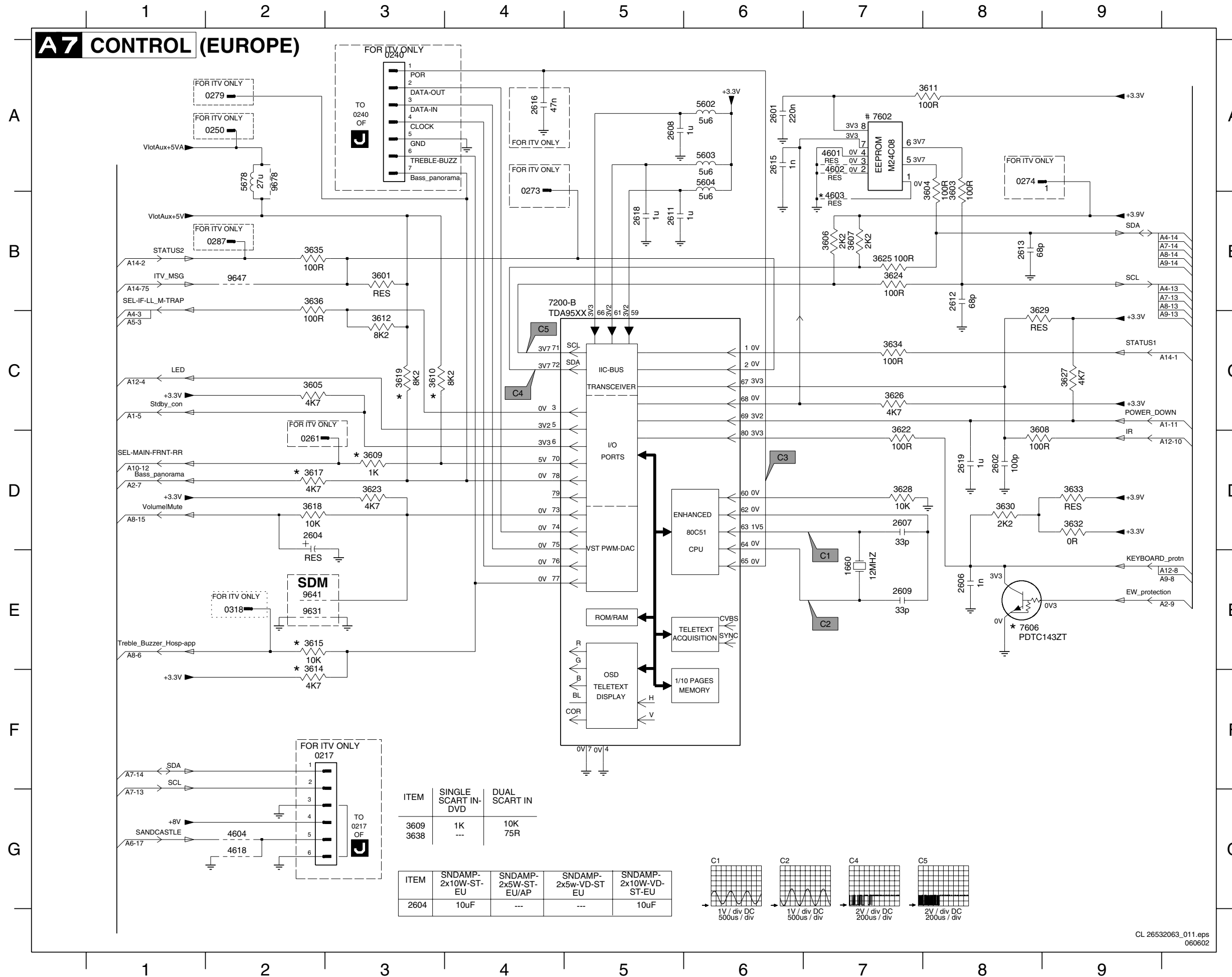
A6 SYNCHRONISATION (EUROPE)



- 0295 D7
- 2241 E5
- 2242 E5
- 2243 B5
- 2244 E6
- 2245 E6
- 2246 D8
- 2247 B7
- 2248 B7
- 2249 B5
- 2250 B4
- 2252 C8
- 2253 C8
- 2254 B5
- 2255 B4
- 3241 D5
- 3242 B4
- 3244 C8
- 3245 E6
- 3246 E6
- 3247 E8
- 3248 D8
- 3249 C8
- 3250 D8
- 3251 C8
- 3254 B6
- 3256 B8
- 3257 B5
- 3258 B4
- 3259 B4
- 5241 A8
- 5242 C8
- 7200-D C5
- 9241 B8

Mono Carrier: Control

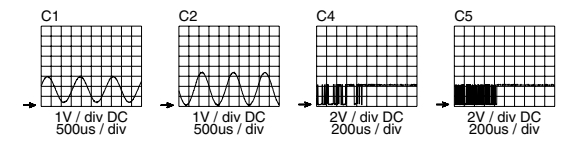
A7 CONTROL (EUROPE)



- 0217 F2
- 0240 A3
- 0250 A1
- 0261 D2
- 0273 B4
- 0274 A8
- 0279 A1
- 0287 B2
- 0318 E2
- 1660 E7
- 2601 A6
- 2602 D8
- 2604 D2
- 2606 E8
- 2607 D7
- 2608 A5
- 2609 E7
- 2611 B5
- 2612 B8
- 2613 B8
- 2615 A6
- 2616 A4
- 2618 B5
- 2619 D8
- 3601 B3
- 3603 A8
- 3604 A8
- 3605 C2
- 3606 B7
- 3607 B7
- 3608 D8
- 3609 D3
- 3610 C3
- 3611 A8
- 3612 C3
- 3614 F2
- 3615 E2
- 3617 D2
- 3618 D2
- 3619 C3
- 3622 D7
- 3623 D3
- 3624 B7
- 3625 B7
- 3626 C7
- 3627 C9
- 3628 D7
- 3629 C8
- 3630 D8
- 3632 D9
- 3633 D9
- 3634 C7
- 3635 B2
- 3636 B2
- 4601 A7
- 4602 A7
- 4603 B7
- 4604 G2
- 4618 G2
- 5602 A6
- 5603 A6
- 5604 A6
- 5678 A2
- 7200-B B4
- 7602 A7
- 7606 E8
- 9631 E2
- 9641 E2
- 9647 B2
- 9678 A2

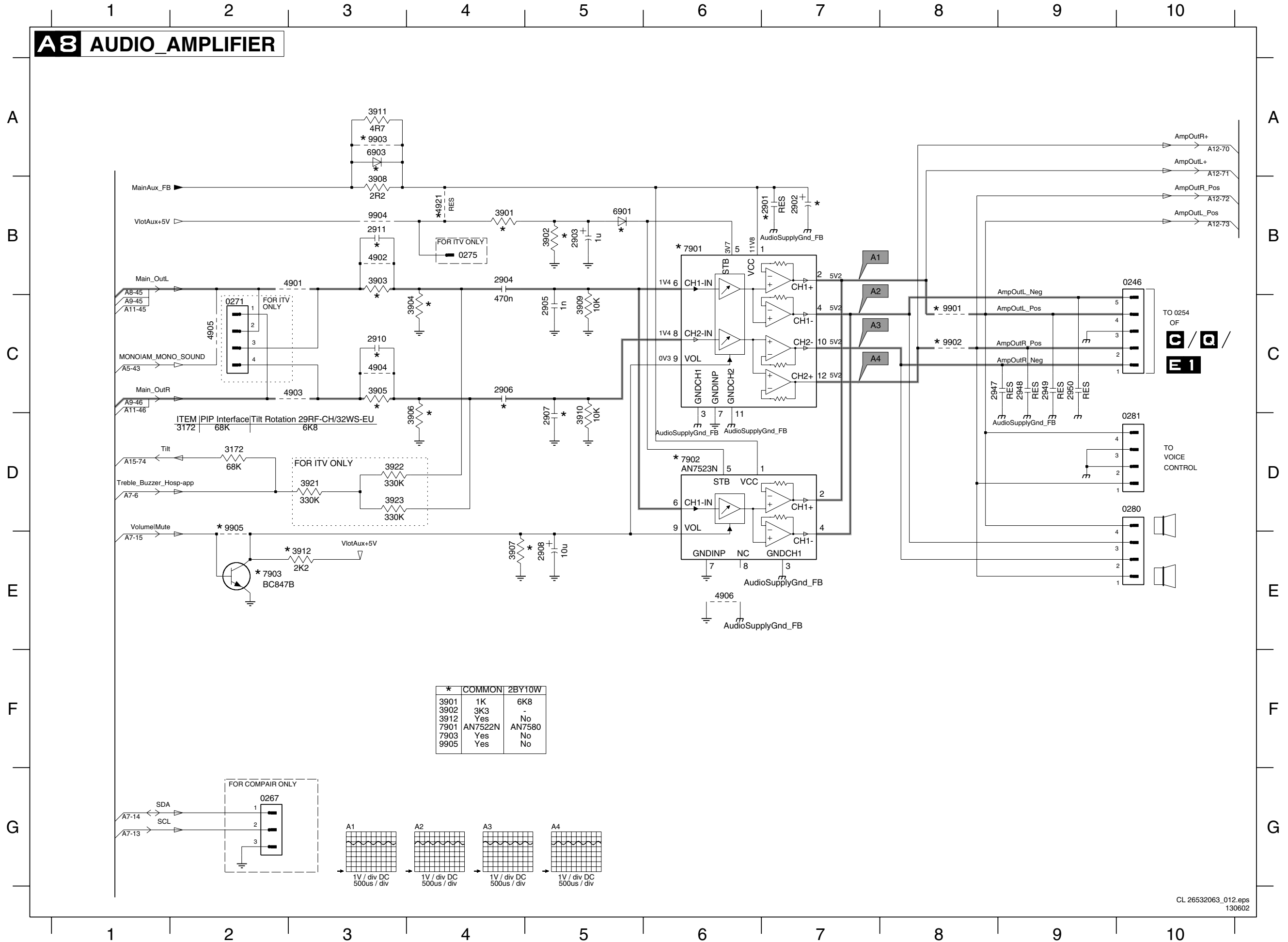
ITEM	SINGLE SCART IN-DVD	DUAL SCART IN
3609	1K	10K
3638	---	75R

ITEM	SNDAMP-2x10W-ST-EU	SNDAMP-2x5W-ST-EU/AP	SNDAMP-2x5w-VD-ST-EU	SNDAMP-2x10W-VD-ST-EU
2604	10uF	---	---	10uF

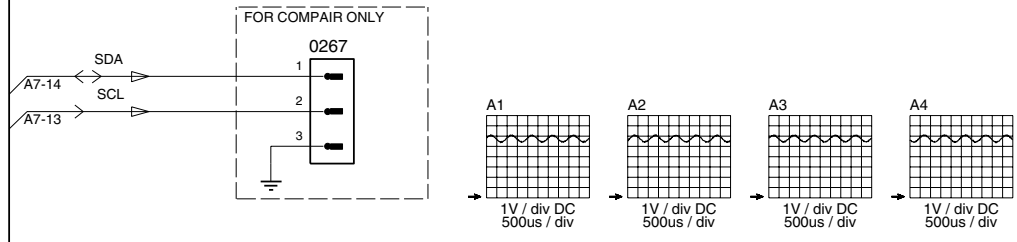


Mono Carrier: Audio Amplifier

A8 AUDIO_AMPLIFIER



*	COMMON	2BY10W
3901	1K	6K8
3902	3K3	-
3912	Yes	No
7901	AN7522N	AN7580
7903	Yes	No
9905	Yes	No



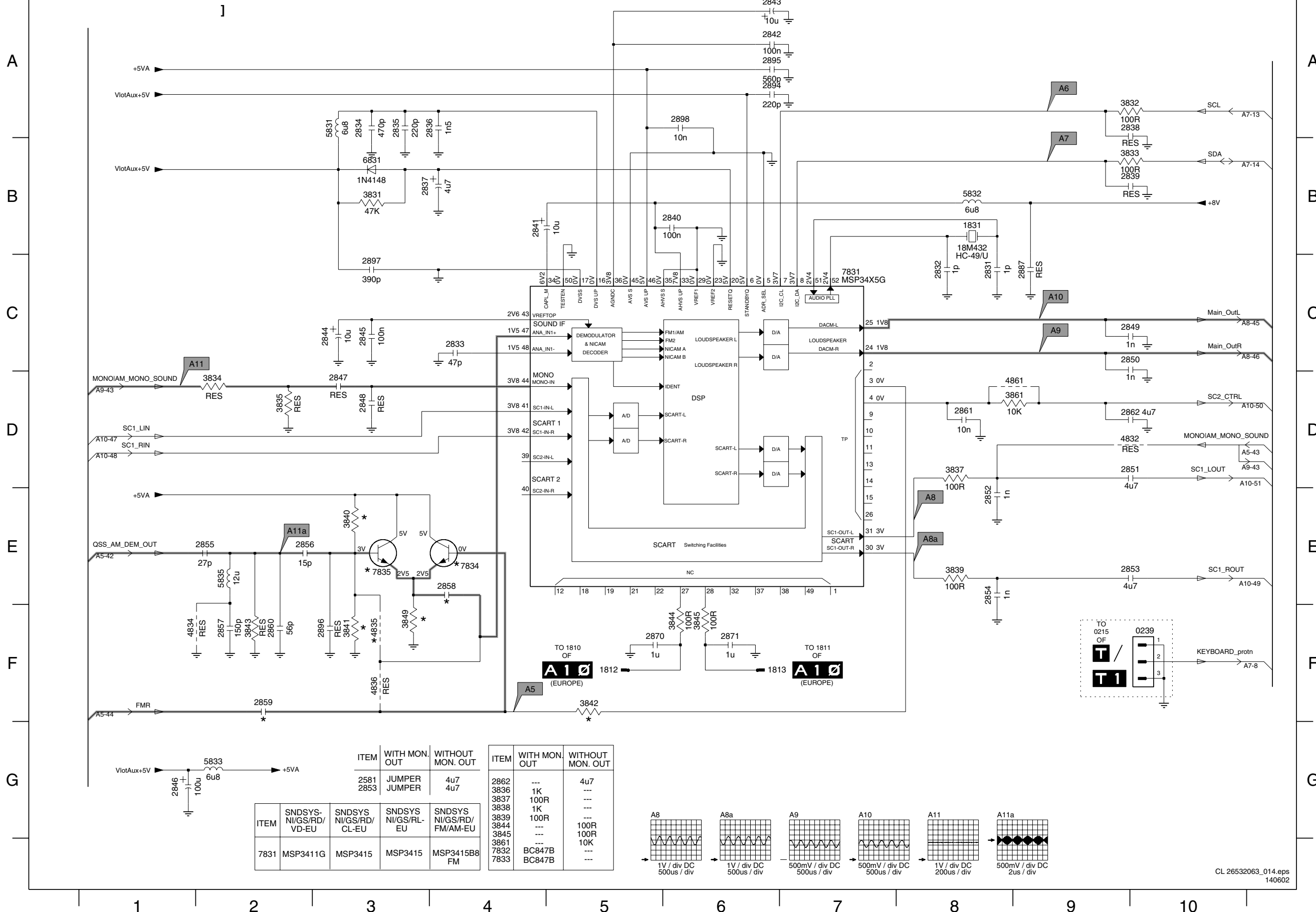
- 0246 B10
- 0267 G2
- 0271 C2
- 0275 B4
- 0280 D10
- 0281 C10
- 2901 B7
- 2902 B7
- 2903 B5
- 2904 B4
- 2905 C5
- 2906 C4
- 2907 D5
- 2908 E5
- 2910 C3
- 2911 B3
- 2947 C8
- 2948 C9
- 2949 C9
- 2950 C9
- 3172 D2
- 3901 B4
- 3902 B5
- 3903 B3
- 3904 C4
- 3905 C3
- 3906 D4
- 3907 E4
- 3908 B3
- 3909 C5
- 3910 D5
- 3911 A3
- 3912 E3
- 3921 D3
- 3922 D3
- 3923 D3
- 4901 B3
- 4902 B3
- 4903 C3
- 4904 C3
- 4905 C2
- 4906 E6
- 4921 B4
- 6901 B5
- 6903 A3
- 7901 B6
- 7902 D6
- 7903 E2
- 9901 C8
- 9902 C8
- 9903 A3
- 9904 B3
- 9905 D2

TO 0254 OF
C / Q /
E1

TO VOICE CONTROL

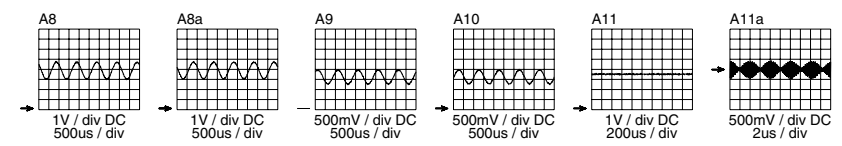
Mono Carrier: NICAM + 2CS + BTSC (Stereo / SAP) Decoder

A9 NICAM + 2CS + BTSC (STEREO/SAP) DECODER (EUROPE)



ITEM	WITH MON. OUT	WITHOUT MON. OUT	ITEM	WITH MON. OUT	WITHOUT MON. OUT
2581	JUMPER	4u7	2862	---	4u7
2853	JUMPER	4u7	3836	1K	---
			3837	100R	---
			3838	1K	---
			3839	100R	---
			3844	---	100R
			3845	---	100R
			3861	---	10K
			7832	BC847B	---
			7833	BC847B	---

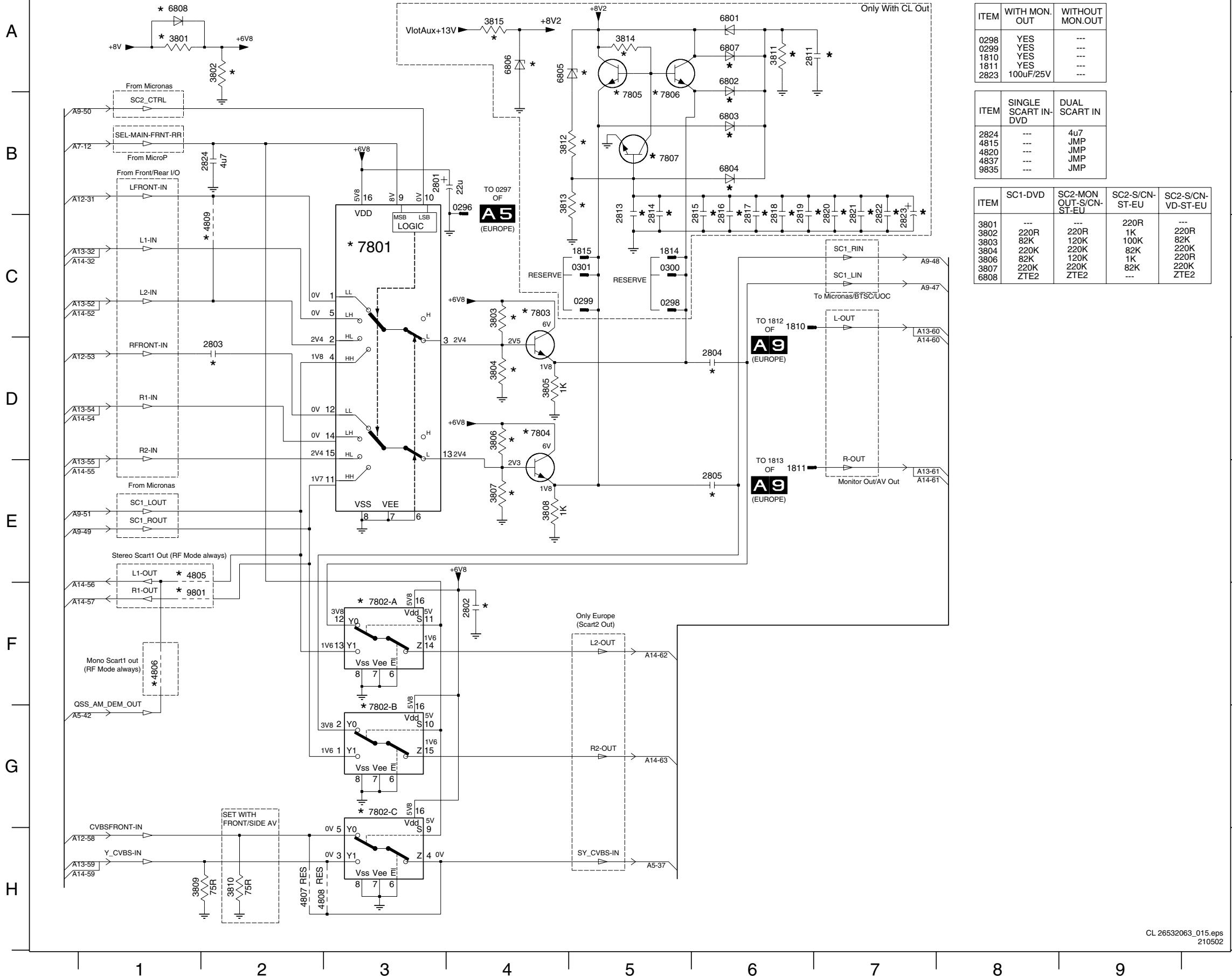
ITEM	SNDSYS- NI/GS/RD/VD-EU	SNDSYS- NI/GS/RD/CL-EU	SNDSYS- NI/GS/RL-EU	SNDSYS- NI/GS/RD/FM/AM-EU
7831	MSP3411G	MSP3415	MSP3415	MSP3415B8 FM



- 0239 F10
- 1812 F5
- 1813 F7
- 1831 B8
- 2832 C8
- 2833 C4
- 2834 A3
- 2835 A3
- 2836 A4
- 2837 B3
- 2838 A10
- 2839 B10
- 2840 B6
- 2841 B4
- 2842 A6
- 2843 A6
- 2844 C3
- 2845 C3
- 2846 G1
- 2847 D3
- 2848 D3
- 2849 C10
- 2850 C10
- 2851 D10
- 2852 E8
- 2853 E10
- 2854 E8
- 2855 E2
- 2856 E2
- 2857 F2
- 2858 E4
- 2859 F2
- 2860 F2
- 2861 D8
- 2862 D10
- 2870 F5
- 2871 F6
- 2887 C9
- 2894 A6
- 2895 A6
- 2896 F3
- 2897 C3
- 2898 A6
- 3831 B3
- 3832 A10
- 3833 B10
- 3834 D2
- 3835 D2
- 3837 D8
- 3839 E8
- 3840 E3
- 3841 F3
- 3842 F5
- 3843 F2
- 3844 F6
- 3845 F6
- 3849 F3
- 3861 D9
- 4832 D10
- 4834 F1
- 4835 F3
- 4836 F3
- 4861 D9
- 5831 A3
- 5832 B8
- 5833 G2
- 5835 E2
- 6831 B3
- 7831 C7
- 7834 E4
- 7835 E3

Mono Carrier: Audio / Video Source Switching

A 1 AUDIO/VIDEO SOURCE SWITCHING (EUROPE)



ITEM	WITH MON. OUT	WITHOUT MON. OUT
0298	YES	---
0299	YES	---
1810	YES	---
1811	YES	---
2823	100uF/25V	---

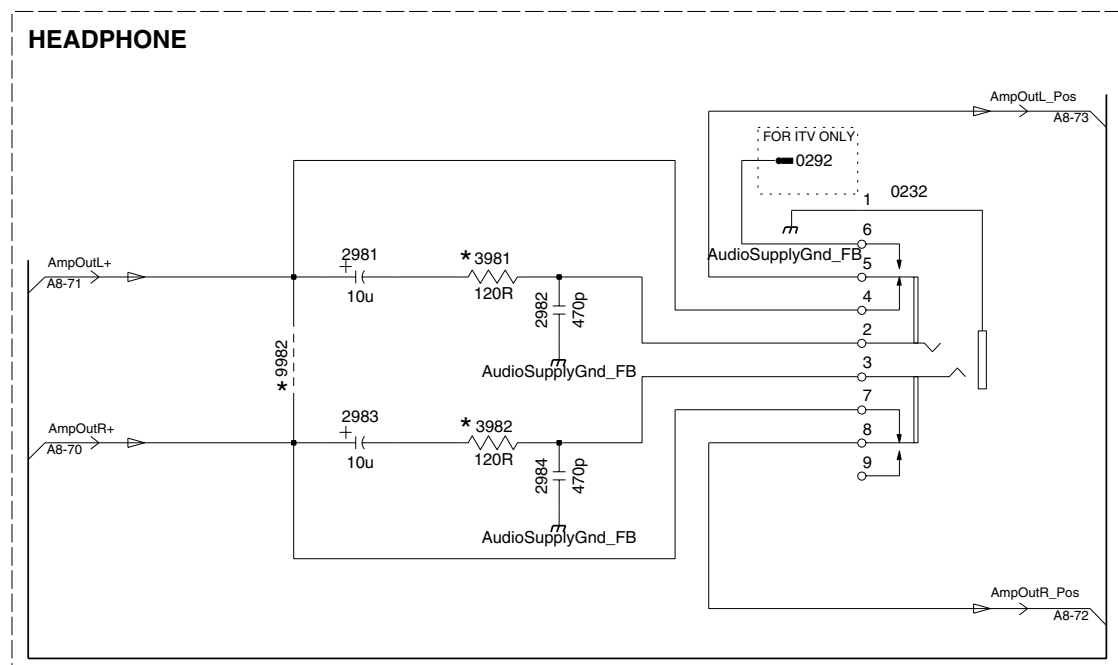
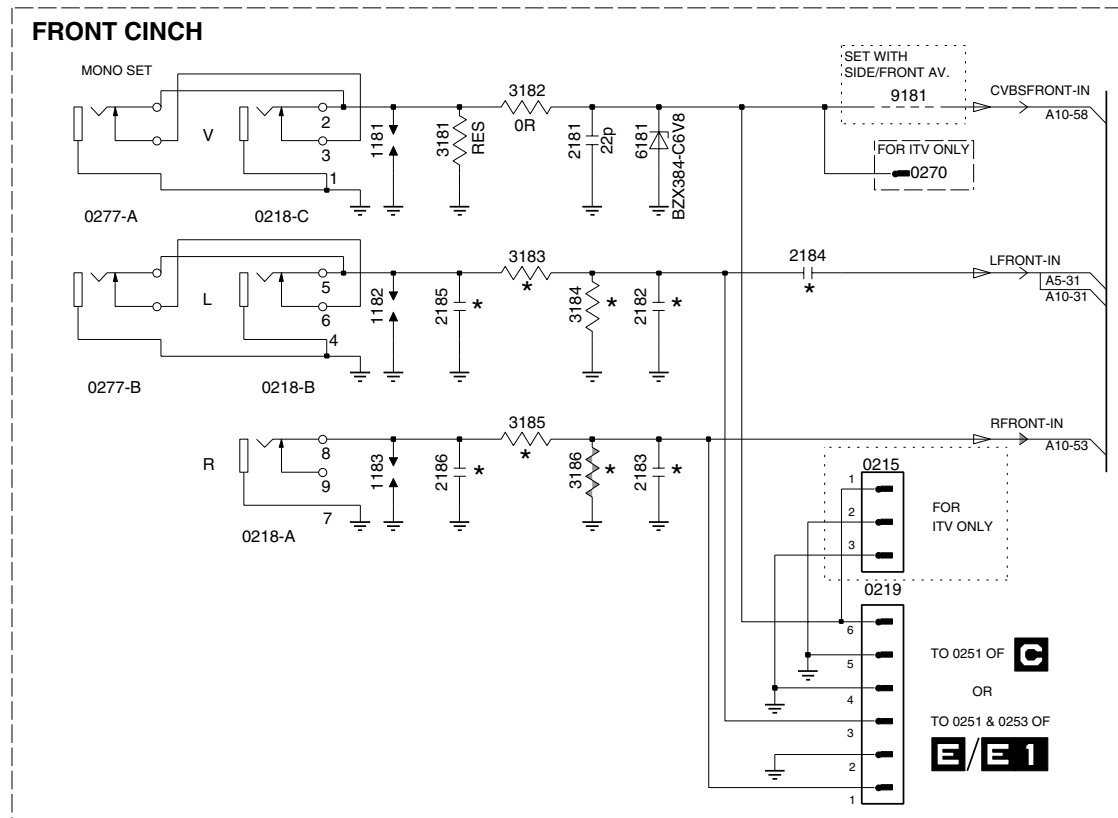
ITEM	SINGLE SCART IN-DVD	DUAL SCART IN
2824	---	4u7
4815	---	JMP
4820	---	JMP
4837	---	JMP
9835	---	JMP

ITEM	SC1-DVD	SC2-MON OUT-S/CN-ST-EU	SC2-S/CN-ST-EU	SC2-S/CN-VD-ST-EU
3801	---	---	220R	---
3802	220R	220R	1K	220R
3803	82K	120K	100K	82K
3804	220K	220K	82K	220K
3806	82K	120K	1K	220R
3807	220K	220K	82K	220K
6808	ZTE2	ZTE2	---	ZTE2

- 0296 B4
- 0298 C5
- 0299 C5
- 0300 C5
- 0301 C5
- 1810 C6
- 1811 E6
- 1814 C5
- 1815 C5
- 2801 B3
- 2802 F4
- 2803 D2
- 2804 D6
- 2805 E6
- 2811 A6
- 2813 B5
- 2814 B5
- 2815 B6
- 2816 B6
- 2817 B6
- 2818 B6
- 2819 B6
- 2820 B7
- 2821 B7
- 2822 B7
- 2823 C7
- 2824 B2
- 3801 A1
- 3802 A2
- 3803 C4
- 3804 D4
- 3805 D4
- 3806 D4
- 3807 E4
- 3808 E4
- 3809 H1
- 3810 H2
- 3811 A6
- 3812 B4
- 3813 B4
- 3814 A5
- 3815 A4
- 4805 E1
- 4806 F1
- 4807 H2
- 4808 H3
- 4809 C2
- 6801 A6
- 6802 A6
- 6803 B6
- 6804 B6
- 6805 A4
- 6806 A4
- 6807 A6
- 6808 A1
- 7801 C3
- 7802-A F3
- 7802-B G3
- 7802-C G3
- 7803 C4
- 7804 D4
- 7805 B5
- 7806 B5
- 7807 B5
- 9801 F1

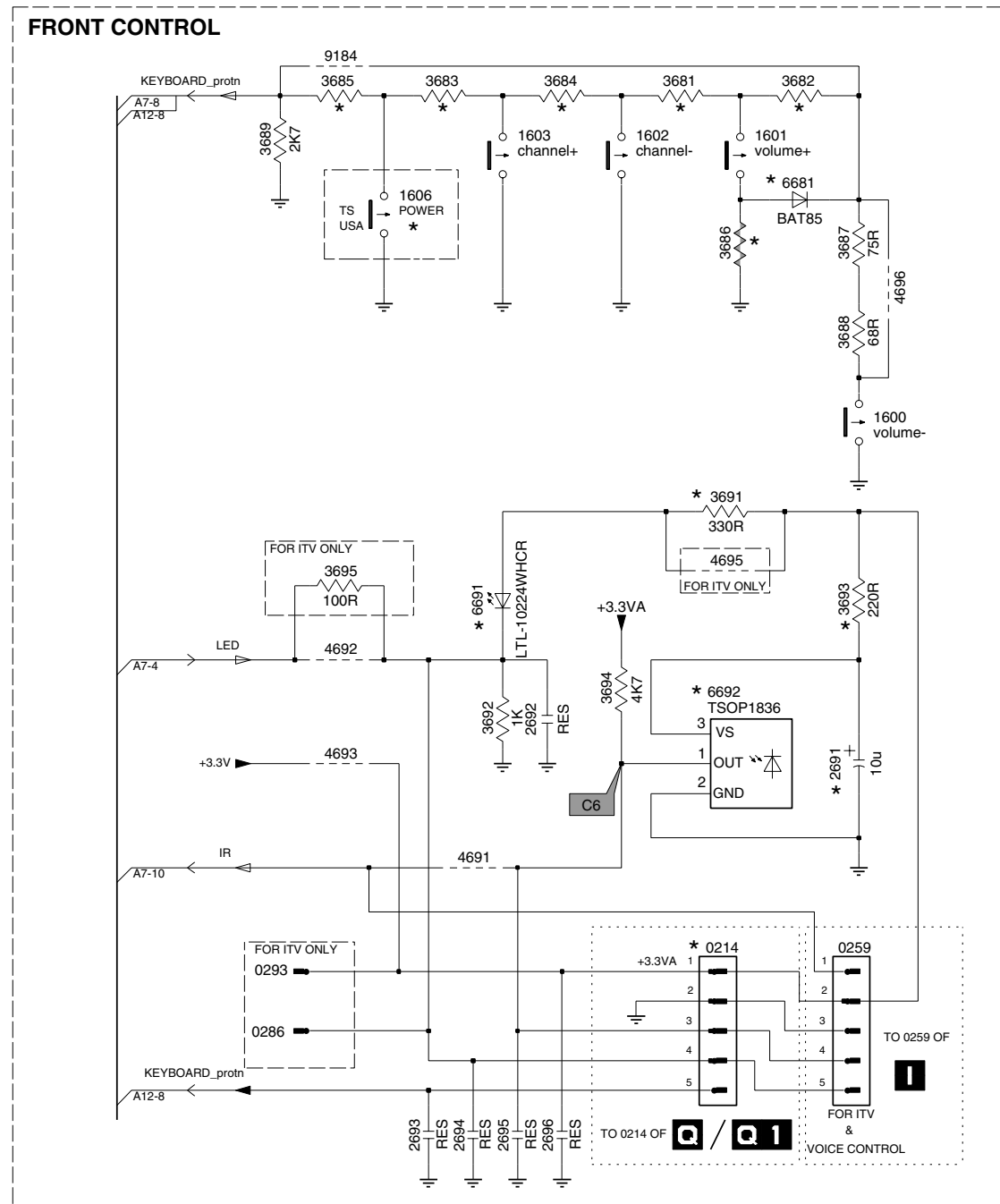
Mono Carrier: Front I/O + Front Control + Headphone

A 1 2 FRONT IO + FRONT CONTROL + HEADPHONE (EUROPE)



For Engg Purpose Only

4694



- 0214 E9
- 0215 C4
- 0218-A C2
- 0218-B B2
- 0218-C B2
- 0219 C4
- 0232 E5
- 0259 E10
- 0270 A5
- 0277-A B1
- 0277-B B1
- 0286 F7
- 0292 E4
- 0293 E7
- 1181 A2
- 1182 B2
- 1183 C2
- 1600 C10
- 1601 A9
- 1602 A9
- 1603 A8
- 1606 B8
- 2181 A3
- 2182 B3
- 2183 C3
- 2184 B4
- 2185 B3
- 2186 C3
- 2691 D10
- 2692 D8
- 2693 F8
- 2694 F8
- 2695 F8
- 2696 F8
- 2981 E2
- 2982 F3
- 2983 F2
- 2984 F3
- 3181 A3
- 3182 A3
- 3183 B3
- 3184 B3
- 3185 B3
- 3186 C3
- 3681 A9
- 3682 A10
- 3683 A8
- 3684 A8
- 3685 A7
- 3686 B9
- 3687 B10
- 3688 B10
- 3689 A7
- 3691 C9
- 3692 D8
- 3693 D10
- 3694 D9
- 3695 C7
- 3981 E3
- 3982 F3
- 4691 E8
- 4692 D7
- 4693 D7
- 4694 G3
- 4695 C9
- 4696 B10
- 6181 A4
- 6681 B10
- 6691 D8
- 6692 D9
- 9181 A5
- 9184 A7
- 9982 F2

Mono Carrier: Front Control Diversity Tables

Mono Carrier: Rear I/O SCART Diversity Table

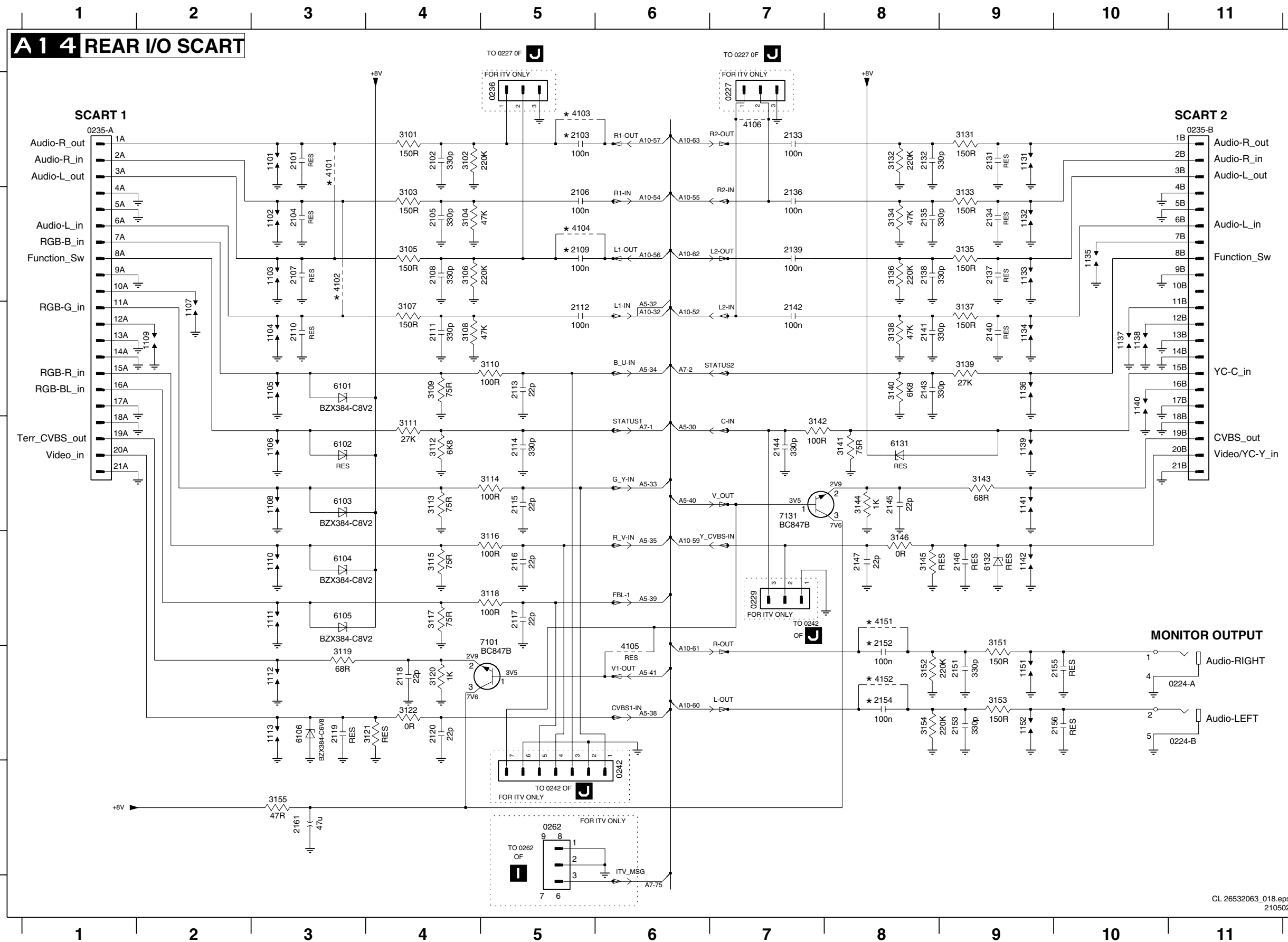
		1	2	3	4				
Diversity Table For A 1 2 Front Control									
For Front Control									
	ITEM	55K NA	55K LA	NON 55K NA	NON 55K LA	IR + LED NA	IR + LED LA	KEYBOARD+ IR + LED LA	
A	0231	---	YES	---	YES	---	YES	YES	
	0239	---	---	---	---	YES	YES	---	
	1600	YES	YES	YES	YES	---	---	YES	
	1601	YES	YES	YES	YES	---	---	YES	
	1602	YES	YES	YES	YES	---	---	YES	
	1603	YES	YES	YES	YES	---	---	YES	
	1606	YES	---	YES	390	YES	---	---	
B	3681	*180	*180	390	3K	---	---	390	
	3682	*270	*270	3K	560	---	---	3K3	
	3684	*390	*390	560	560	YES	---	560	
	3685	---	---	560	1K5	*1K5	---	560	
	3686	JMP	JMP	1K5	---	---	---	1K5	
	3687	*75	*75	---	---	---	---	---	
	3688	*68	*68	---	---	---	---	---	
	3689	*2K7	*2K7	---	---	---	---	---	
C	4696	---	---	JMP	JMP	---	JMP	JMP	
	6681	---	---	BAT85	BAT85	---	---	BAT85	
	9184	---	YES	---	---	---	---	---	
	9500	---	---	YES	---	YES	---	---	
	9501	---	---	YES	---	YES	---	---	
* 1% TOLERANCE RESISTOR									
D	ITEM	KEYBOARD-IR+LED-GL	IR+LED-EU/LA/AP	TC.PNL+FI.PNL-INTERF EU/NA/AP	L2K2.FRNT 55K-NA	L2K2.FRNT 55K-LA	L2K2.FRNT NON-55K-NA	L2K2.FRNT NON-55K-LA	IR+LED.55K NA
	0214	---	---	YES	---	---	---	---	---
	0239	---	YES	YES	---	---	---	---	YES
	1600	YES	---	---	YES	YES	YES	YES	---
	1601	YES	---	---	YES	YES	YES	YES	---
	1602	YES	---	---	YES	YES	YES	YES	---
	1603	YES	---	---	YES	YES	YES	YES	---
	1606	---	---	---	YES	---	YES	---	YES
	2691	10uF	10uF	---	10uF	10uF	10uF	10uF	10uF
	3681	390R	---	---	180R	390R	390R	390R	---
	3682	3K3	---	---	270R	270R	3K3	3K3	---
	3683	390R	---	---	390R	390R	390R	390R	---
	3684	560R	---	---	390R	390R	560R	560R	---
	3685	560R	---	---	---	---	560R	560R	1K5
	3686	1K5	---	---	JUMPER	JUMPER	1K5	1K5	---
	3687	---	---	---	75R	75R	---	---	---
	3688	---	---	---	68R	68R	---	---	---
	3689	---	---	---	2K7	2K7	---	---	---
	3691	330R	330R	---	330R	330R	330R	330R	330R
	3693	220R	220R	---	220R	220R	220R	220R	220R
	4696	YES	---	---	---	---	YES	YES	---
	6681	BAT85	---	---	---	---	BAT85	BAT85	---
	6691	YES	YES	---	YES	YES	YES	YES	YES
	6692	YES	YES	---	YES	YES	YES	YES	YES
	9184	---	---	---	YES	YES	---	---	---
E	ITEM	SNDAMP-2x10W-ST-EU	SNDAMP-2x5W-ST-EU/AP	SNDAMP-2x5W-VD-ST-EU	SNDAMP-2x10W-VD-ST-EU				
	2604	10uF	---	---	10uF				

		1	2	3		
DIVERSITY TABLE FOR A 1 4 REAR I/O SCART						
	ITEM	SINGLE SCART IN-DVD	DUAL SCART IN	ITEM	WITH MON. OUT	WITHOUT MON.OUT
A	3609	1K	10K	2131	330pF	---
	3538	---	75R	2132	390pF	---
				2133	4u7	---
				2134	390pF	---
				2135	390pF	---
				2136	4u7	---
				2137	390pF	---
				2138	390pF	---
				2139	4U7	---
				2140	390pF	---
				2141	390pF	---
				2142	4u7	---
				2143	330pF	---
				2144	330pF	---
				2145	22pF	---
				2147	22pF	---
				3121	---	---
				3131	150R	---
				3132	220K	---
				3133	150R	---
				3134	47K	---
				3135	150R	---
				3136	220K	---
				3138	47K	---
				3139	27K	---
				3140	6K8	---
				3141	75R	---
				3142	100R	---
				3143	68R	---
				3144	1K	---
				3146	JMP	---
				4105	JMP	---

CL 26532063_019.eps
210502

CL 26532063_017.eps
210502

Mono Carrier: Rear I/O SCART

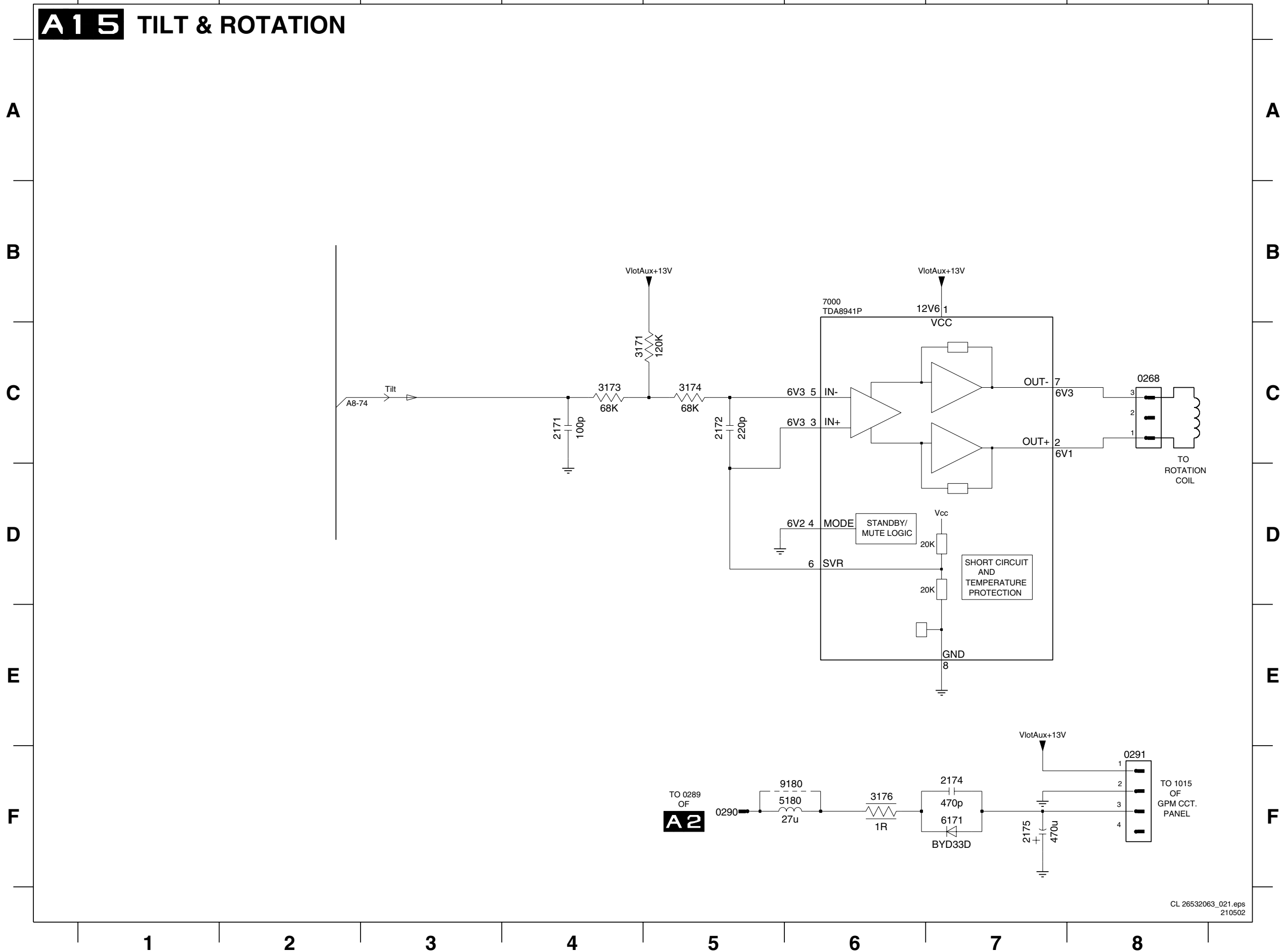


- 0224-A F11
- 0224-B F11
- 0227 A7
- 0229 E7
- 0235-A A1
- 0235-B A11
- 0236 A5
- 0242 F6
- 0262 G5
- 1101 A3
- 1102 B3
- 1103 B3
- 1104 C3
- 1105 C3
- 1106 D3
- 1107 C2
- 1108 D3
- 1109 C2
- 1110 E3
- 1111 E3
- 1112 F3
- 1113 F3
- 1131 A9
- 1132 B9
- 1133 B9
- 1134 C9
- 1135 B10
- 1136 C9
- 1137 C10
- 1138 C10
- 1139 D9
- 1140 C10
- 1141 D9
- 1142 E9
- 1151 F9
- 1152 F9
- 2101 A3
- 2102 A4
- 2103 A5
- 2104 B3
- 2105 B4
- 2106 B5
- 2107 B3
- 2108 B4
- 2109 B5
- 2110 C3
- 2111 C4
- 2112 C5
- 2113 C5
- 2114 D5
- 2115 D5
- 2116 E5
- 2117 E5
- 2118 F4
- 2119 F3
- 2120 F4
- 2131 A9
- 2132 A8
- 2133 A7
- 2134 B9
- 2135 B8
- 2136 B7
- 2137 B9
- 2138 B8
- 2139 B7
- 2140 C9
- 2141 C8
- 2142 C7
- 2143 C8
- 2144 D7
- 2145 D8
- 2146 E9
- 2147 E8
- 2151 F9
- 2152 F8
- 2153 F9
- 2154 F8
- 2155 F10
- 2156 F10
- 2161 G3
- 3101 A4
- 3102 A4
- 3103 B4
- 3104 B4
- 3105 B4
- 3106 B4
- 3107 C4
- 3108 C4
- 3109 C4
- 3110 C5
- 3111 D4
- 3112 D4
- 3113 D4
- 3114 D5
- 3115 D5
- 3116 E5
- 3117 E5
- 3118 F4
- 3119 F3
- 3120 F4
- 3121 A9
- 3122 A8
- 3123 A7
- 3124 B9
- 3125 B8
- 3126 B7
- 3127 B9
- 3128 B8
- 3129 B7
- 3130 C9
- 3131 C8
- 3132 C7
- 3133 C8
- 3134 D7
- 3135 D8
- 3136 E9
- 3137 E8
- 3138 F9
- 3139 F8
- 3140 F9
- 3141 F8
- 3142 F9
- 3143 F8
- 3144 F9
- 3145 F8
- 3146 F9
- 3147 F8
- 3148 F9
- 3149 F8
- 3150 F9
- 3151 F8
- 3152 F9
- 3153 F8
- 3154 F9
- 3155 F8
- 3156 F9
- 3157 F8
- 3158 F9
- 3159 F8
- 3160 F9
- 3161 F8
- 3162 F9
- 3163 F8
- 3164 F9
- 3165 F8
- 3166 F9
- 3167 F8
- 3168 F9
- 3169 F8
- 3170 F9
- 3171 F8
- 3172 F9
- 3173 F8
- 3174 F9
- 3175 F8
- 3176 F9
- 3177 F8
- 3178 F9
- 3179 F8
- 3180 F9
- 3181 F8
- 3182 F9
- 3183 F8
- 3184 F9
- 3185 F8
- 3186 F9
- 3187 F8
- 3188 F9
- 3189 F8
- 3190 F9
- 3191 F8
- 3192 F9
- 3193 F8
- 3194 F9
- 3195 F8
- 3196 F9
- 3197 F8
- 3198 F9
- 3199 F8
- 3200 F9
- 3201 F8
- 3202 F9
- 3203 F8
- 3204 F9
- 3205 F8
- 3206 F9
- 3207 F8
- 3208 F9
- 3209 F8
- 3210 F9
- 3211 F8
- 3212 F9
- 3213 F8
- 3214 F9
- 3215 F8
- 3216 F9
- 3217 F8
- 3218 F9
- 3219 F8
- 3220 F9
- 3221 F8
- 3222 F9
- 3223 F8
- 3224 F9
- 3225 F8
- 3226 F9
- 3227 F8
- 3228 F9
- 3229 F8
- 3230 F9
- 3231 F8
- 3232 F9
- 3233 F8
- 3234 F9
- 3235 F8
- 3236 F9
- 3237 F8
- 3238 F9
- 3239 F8
- 3240 F9
- 3241 F8
- 3242 F9
- 3243 F8
- 3244 F9
- 3245 F8
- 3246 F9
- 3247 F8
- 3248 F9
- 3249 F8
- 3250 F9

Mono Carrier: Tilt and Rotation

A15 TILT & ROTATION

- 0268 C8
- 0290 F5
- 0291 F8
- 2171 C4
- 2172 C5
- 2174 F7
- 2175 F7
- 3171 C4
- 3173 C4
- 3174 C5
- 3176 F6
- 5180 F6
- 6171 F7
- 7000 B6
- 9180 F6



Layout Mono Carrier (Mapping Top Side)

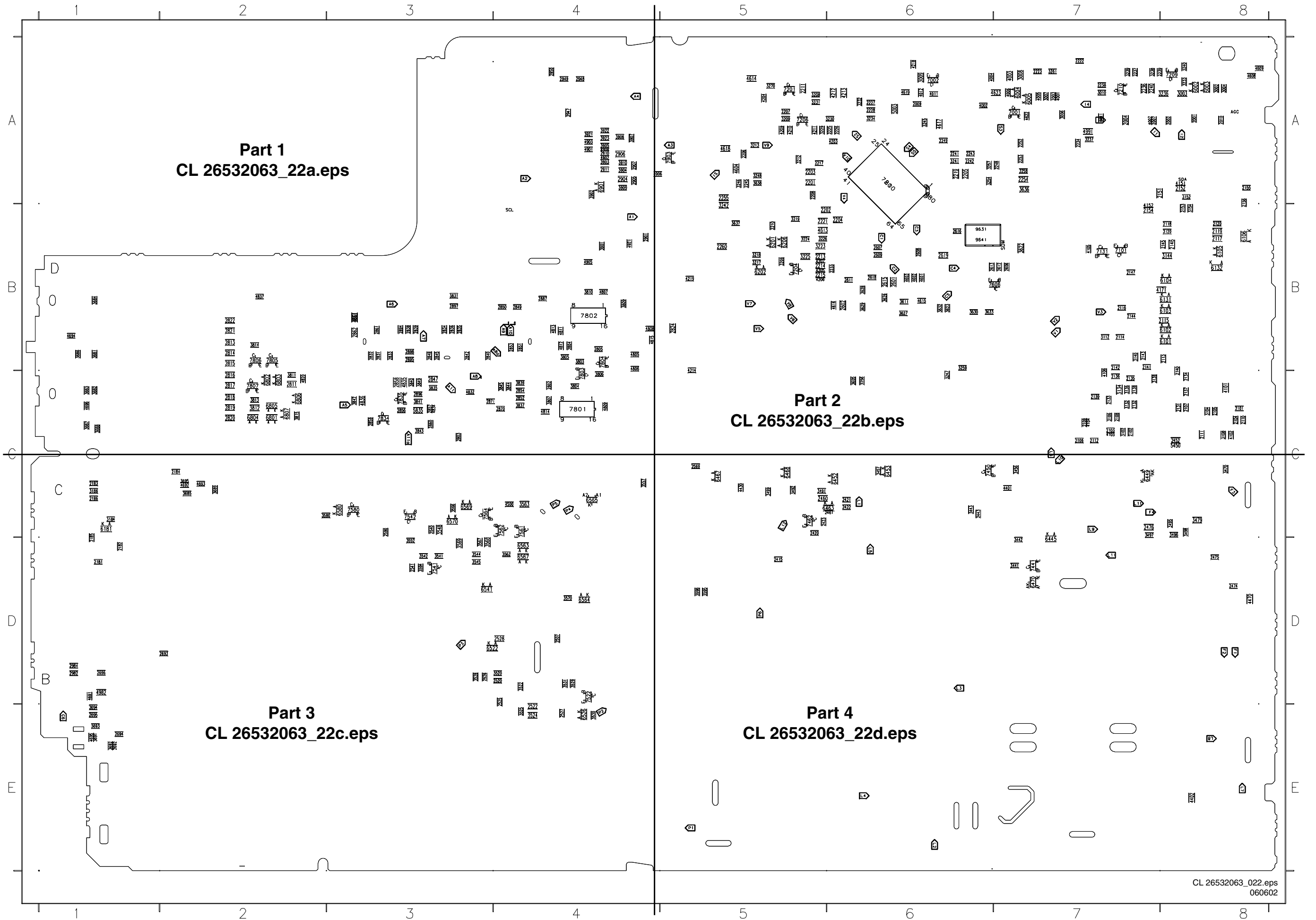
0211	A2	1813	C3	2902	D4	3475	B8	5521	B4	9206	C5	9654	C5
0212	B3	1814	D2	2903	E4	3477	C8	5560	B5	9207	E5	9655	C6
0213	A3	1815	D2	2908	E4	3478	C8	5561	B5	9241	E7	9656	C7
0214	B1	1831	C3	2981	B1	3480	B8	5562	B4	9406	A6	9657	D6
0215	B1	2005	E7	2983	B1	3481	A7	5564	C4	9407	A6	9658	C6
0217	E5	2006	E7	3000	E8	3482	A7	5602	D6	9408	B7	9659	C6
0218	B1	2008	E8	3001	E8	3483	C6	5603	D6	9409	C5	9660	C6
0219	B1	2161	D7	3005	E6	3484	A8	5604	D6	9410	C6	9661	D7
0220	C6	2171	E3	3012	E7	3485	B6	5672	C6	9411	B6	9662	D7
0221	B6	2172	E3	3101	C8	3486	B6	5678	C7	9412	C6	9663	D7
0222	C8	2174	D3	3103	C8	3487	B5	5831	D3	9413	C6	9664	C6
0224	E8	2175	E3	3105	C7	3488	A8	5832	C4	9414	C6	9665	C6
0227	C7	2209	D5	3107	C8	3489	C6	5833	C3	9415	C7	9666	C6
0229	D7	2216	E5	3109	D8	3490	C6	6001	E7	9416	C8	9668	C6
0231	A2	2220	D5	3110	D8	3493	C5	6171	D3	9417	C7	9669	C6
0232	B1	2229	E6	3111	D8	3494	B6	6207	E5	9418	C7	9670	C5
0235	D8	2230	E5	3113	D8	3500	A2	6400	A7	9419	B8	9672	C6
0236	C7	2235	E6	3114	D8	3501	B2	6401	A5	9420	C6	9673	C5
0239	C3	2244	E6	3115	D8	3503	A4	6402	A7	9421	A8	9674	C5
0240	D6	2246	E6	3116	D8	3504	B3	6403	A8	9422	B7	9675	C7
0242	D7	2247	E6	3117	D8	3506	B3	6447	B6	9423	C5	9676	C7
0243	D5	2250	E6	3118	D8	3507	B2	6448	C7	9424	A7	9678	C7
0246	E4	2400	A5	3119	D8	3508	A2	6460	A6	9425	B8	9679	C7
0248	E5	2401	A6	3121	D8	3509	B3	6461	A6	9426	A8	9680	D5
0249	D6	2402	A5	3122	D8	3510	B3	6462	B5	9427	B7	9683	D5
0250	C7	2404	C6	3131	C7	3511	A3	6465	B6	9451	B6	9685	D6
0251	B3	2405	C5	3133	C7	3519	B4	6466	B6	9453	B5	9686	D6
0259	B1	2441	B7	3135	C7	3521	B4	6469	C4	9460	B6	9687	D5
0261	D5	2444	B6	3137	C7	3523	A4	6476	C8	9461	A6	9688	D5
0262	D7	2448	B6	3139	D8	3526	A4	6481	C7	9462	A6	9689	D7
0265	E8	2450	B5	3141	D8	3527	A4	6482	C7	9463	A6	9690	D5
0266	E6	2451	B6	3142	D8	3532	A3	6483	A8	9464	B5	9691	E7
0267	E4	2453	B6	3143	D8	3543	B3	6485	B7	9471	C8	9692	C5
0268	E3	2454	B6	3145	D8	3550	C3	6486	C7	9472	B8	9693	C5
0270	B1	2455	B5	3146	D8	3558	C4	6487	A8	9500	A2	9695	E7
0271	E4	2456	B6	3151	E8	3560	C4	6488	B7	9501	A2	9696	E8
0273	D7	2457	B6	3153	D8	3561	B4	6489	B7	9502	A2	9697	D7
0274	C6	2458	B6	3155	D8	3564	C4	6490	C5	9503	A3	9698	D7
0275	D4	2459	B6	3171	E4	3565	C4	6500	A4	9504	B3	9699	C1
0276	D5	2462	A6	3172	E4	3590	C3	6520	B4	9506	B2	9801	D4
0277	B1	2463	A7	3173	E4	3601	D7	6523	B4	9507	B2	9811	C4
0279	D6	2464	B5	3174	E3	3603	D6	6524	A4	9508	B2	9812	D4
0280	E4	2465	A6	3176	E3	3604	D6	6525	A4	9509	B2	9814	D4
0281	E4	2466	A6	3181	B1	3606	D6	6540	C3	9510	C3	9815	D4
0282	B5	2467	A6	3182	B1	3607	D6	6560	C5	9511	C4	9816	C3
0283	E7	2468	A6	3183	C1	3608	D6	6561	C4	9512	C4	9817	C4
0285	E7	2469	B6	3185	C1	3609	D6	6562	C4	9513	C4	9818	C4
0286	C2	2470	A6	3200	E6	3610	D6	6566	B3	9514	B5	9820	C3
0287	D7	2471	B8	3201	D5	3612	E7	6568	B4	9515	C5	9821	D4
0288	B8	2472	C8	3202	D5	3614	D6	6582	C4	9516	C4	9822	D4
0289	B6	2473	B8	3203	D5	3615	D6	6681	D1	9518	B3	9824	C4
0290	E3	2480	B8	3204	D5	3617	D6	6691	A1	9520	B3	9825	C4
0291	D3	2481	B7	3207	E5	3618	D6	6692	B1	9521	A5	9826	C4
0292	B1	2482	A8	3214	D7	3619	D6	6808	D4	9522	C4	9827	D4
0293	C2	2484	B6	3220	D5	3624	D6	6831	D3	9524	C4	9828	D4
0294	E5	2485	C6	3228	E6	3625	D6	6903	D5	9525	B4	9829	D4
0295	E6	2486	A8	3235	D5	3634	D7	7000	E3	9526	B5	9830	C4
0296	D4	2487	A8	3244	E7	3635	D7	7400	A6	9528	B4	9832	C3
0297	D5	2488	C7	3249	E7	3801	D4	7443	C7	9529	B4	9833	D3
0298	C4	2489	C7	3250	E7	3802	D4	7444	B5	9611	C5	9834	C2
0299	C4	2490	B5	3251	E6	3808	C4	7460	A6	9612	C5	9835	C2
0300	D2	2491	B7	3400	A8	3832	D3	7461	C5	9613	D5	9901	D4
0301	D2	2492	C6	3401	A7	3833	D3	7463	C5	9614	E5	9902	E4
0318	D6	2493	A6	3402	A5	3834	C3	7471	C8	9615	D7	9903	D5
0319	C6	2500	A2	3403	A5	3908	D5	7480	C7	9616	D7	9904	D4
0321	C7	2501	A3	3404	A5	3911	D5	7482	C7	9617	D5	9905	E5
0322	C6	2502	A4	3405	A6	3912	E4	7515	B3	9618	D7	9911	D4
1000	E8	2503	A4	3406	A6	3981	B1	7520	B4	9619	D5	9912	D4
1002	E6	2504	A5	3407	A6	3982	B1	7521	A4	9620	D7	9913	E4
1003	E6	2505	A5	3408	A5	5001	E7	7540	B3	9622	C6	9914	E4
1004	E6	2506	B3	3410	A5	5002	E7	7560	C3	9623	D7	9915	E4
1200	E5	2508	B5	3411	A6	5180	E3	7602	D6	9624	D5	9916	E4
1201	E5	2509	B2	3430	A5	5201	E5	7831	D3	9625	E7	9918	D4
1203	E7	2515	B5	3431	A5	5202	E5	7901	E4	9626	D5	9919	D4
1204	D6	2516	B4	3445	C6	5204	C5	7902	E4	9627	D5	9920	E4
1205	D7	2521	B3	3446	C6	5205	C5	9001	E7	9628	E7	9921	E4
1400	C6	2523	A4	3447	C7	5206	C5	9171	D7	9629	D6	9922	E4
1402	B7	2560	C5	3448	C7	5241	E7	9172	D7	9630	C5	9923	D4
1410	A6	2561	C5	3449	C7	5242	E7	9173	D7	9631	D6	9982	B1
1500	A2	2562	B4	3450	C7	5400	A6	9174	D7	9632	E5	9991	B1
1515	B3	2563	B4	3451	B6	5401	A6	9175	D7	9633	D5	9993	E8
1530	B5	2564	B4	3452	C6	5445	B7	9176	D7	9634	D5	9994	E5
1531	B5	2566	C3	3453	C7	5451	B6	9177	D7	9635	D6	9995	D5
1532	B4	2567	C3	3454	C6	5452	A6	9178	D7	9636	C6	9996	E7
1533	B4	2568	C3	3455	C7	5453	C4	9179	D7	9637	E6	9997	E8
1534	B4	2580	C2	3458	B6	5457	B6	9180	E3	9638	D6	9998	E5
1535	B4	2581	C3	3459	B6	5461	B5	9181	C1	9639	E5	9999	E5
1540	B3	2604	D6	3460	B8	5463	A5	9182	C1	9640	D7		
1600	C1	2691	A1	3463	A6	5464	A5	9183	C1	9641	D6		
1601	C1	2801	D4	3464	B7	5465	A5	9184	C1	9642	D6		
1602	D1	2823	D2	3465	A8	5471	C8	9191	B1	9643	D5		
1603	D1	2837	D4	3468	B5	5472	B8	9192	B1	9644	E5		
1606	A1	2841	C3	3469	C6	5480	C6	9193	B1	9645	E5		
1660	D6	2843	C4	3471	C8	5500	B2	9200	E5	9647	D7		
1810	C5	2844	C3	3472	C8	5501	B2	9201	E5	9648	E7		
1811	C5	2846	C3	3473	C8	5502	A3	9202	D5	9650	E7		
1812	C4	2855	C3	3474	B8	5520	B4	9203	D5	9653	C5		

CL 26532063_23m.eps
060602

Layout Mono Carrier (Mapping Bottom Side)

2001	A8	2475	D8	3108	C8	3684	B1	4807	B4
2002	A8	2476	C7	3112	B7	3685	C2	4808	B4
2003	A7	2507	D4	3120	B8	3686	B1	4809	C4
2004	A7	2520	D4	3132	C7	3687	C1	4811	B4
2007	A7	2522	E4	3134	C7	3688	C1	4812	B4
2009	A6	2525	D4	3136	C7	3689	C2	4813	B4
2010	A8	2526	D3	3138	C7	3691	E1	4814	C4
2101	C8	2527	E4	3140	B7	3692	E1	4815	B4
2102	C7	2528	D4	3144	B8	3693	E1	4820	C2
2103	C7	2540	C3	3152	A8	3694	E1	4832	C3
2104	C8	2541	D3	3154	B8	3695	C2	4834	C3
2105	C8	2569	C5	3184	C1	3803	B4	4835	C3
2106	C7	2590	C3	3186	C1	3804	C4	4836	C3
2107	C8	2601	B6	3206	B5	3805	B4	4837	B2
2108	C7	2602	B6	3208	A5	3806	C4	4861	B3
2109	C7	2606	B7	3209	A5	3807	C4	4901	A4
2110	C8	2607	B6	3212	A5	3809	B4	4902	A4
2111	C8	2608	B6	3213	A5	3810	B4	4903	A4

Layout Mono Carrier (Overview Bottom Side)



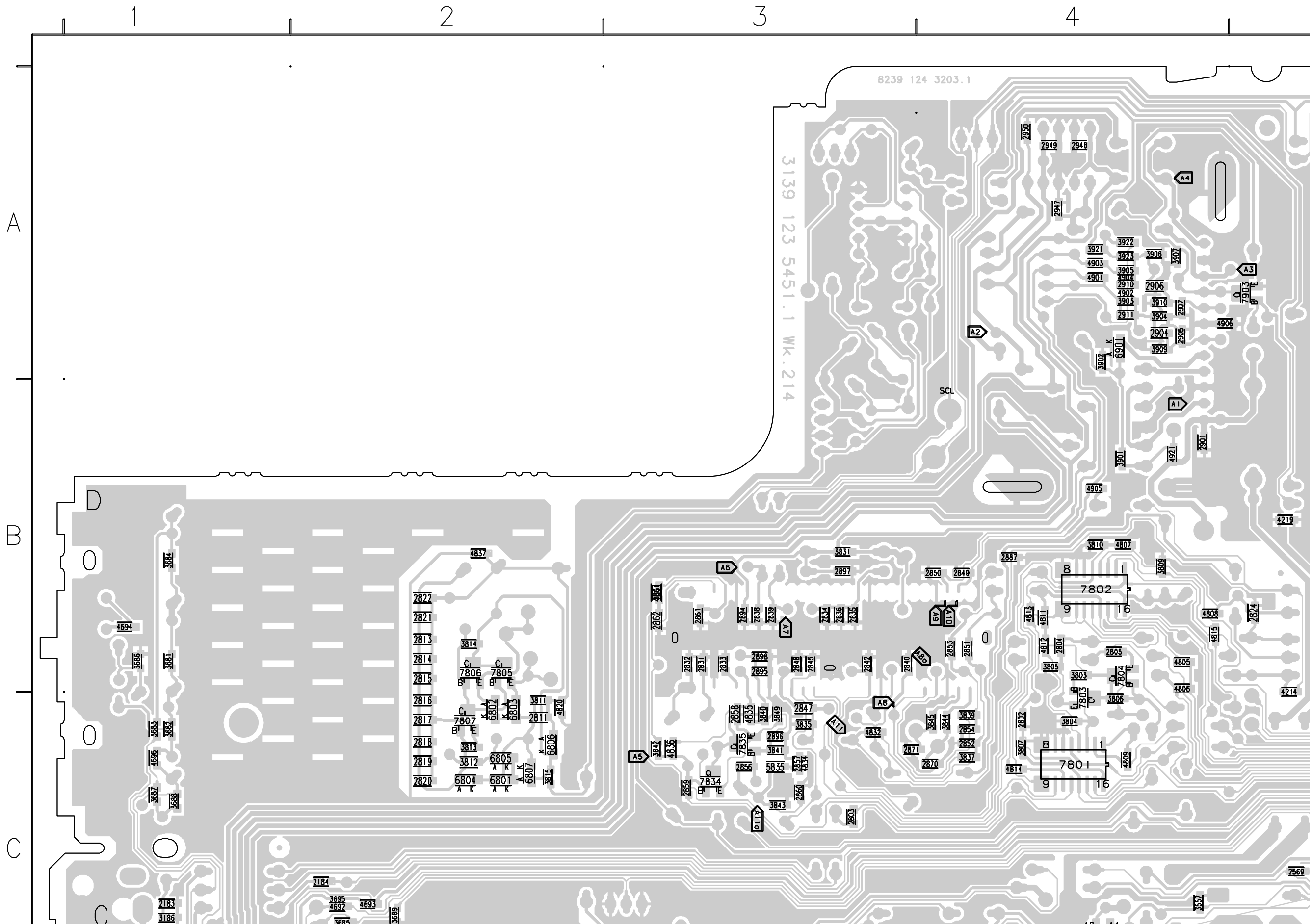
Part 1
CL 26532063_22a.eps

Part 2
CL 26532063_22b.eps

Part 3
CL 26532063_22c.eps

Part 4
CL 26532063_22d.eps

Layout Mono Carrier (Part 1 Bottom Side)



Layout Mono Carrier (Part 2 Bottom Side)

5

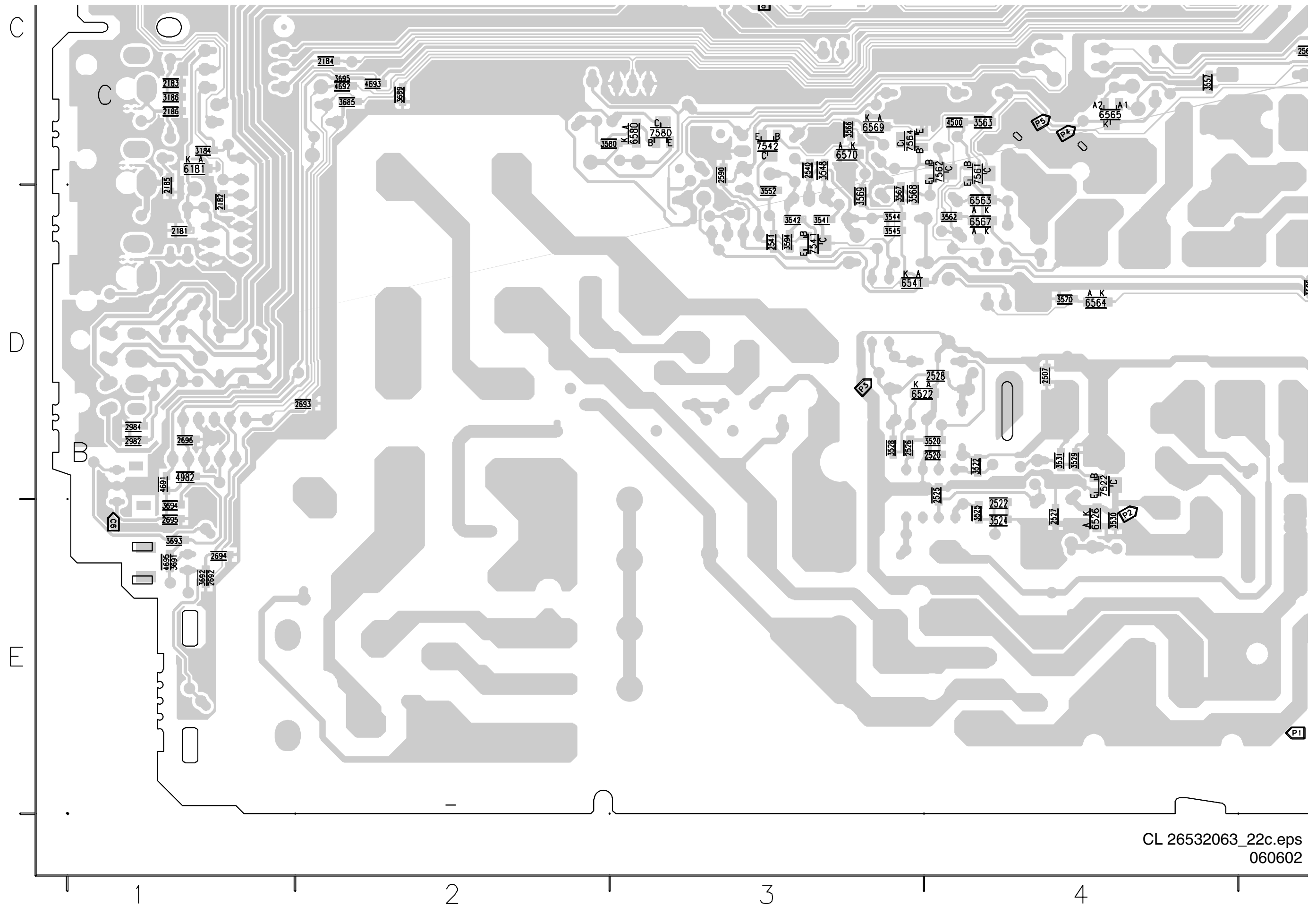
6

7

8

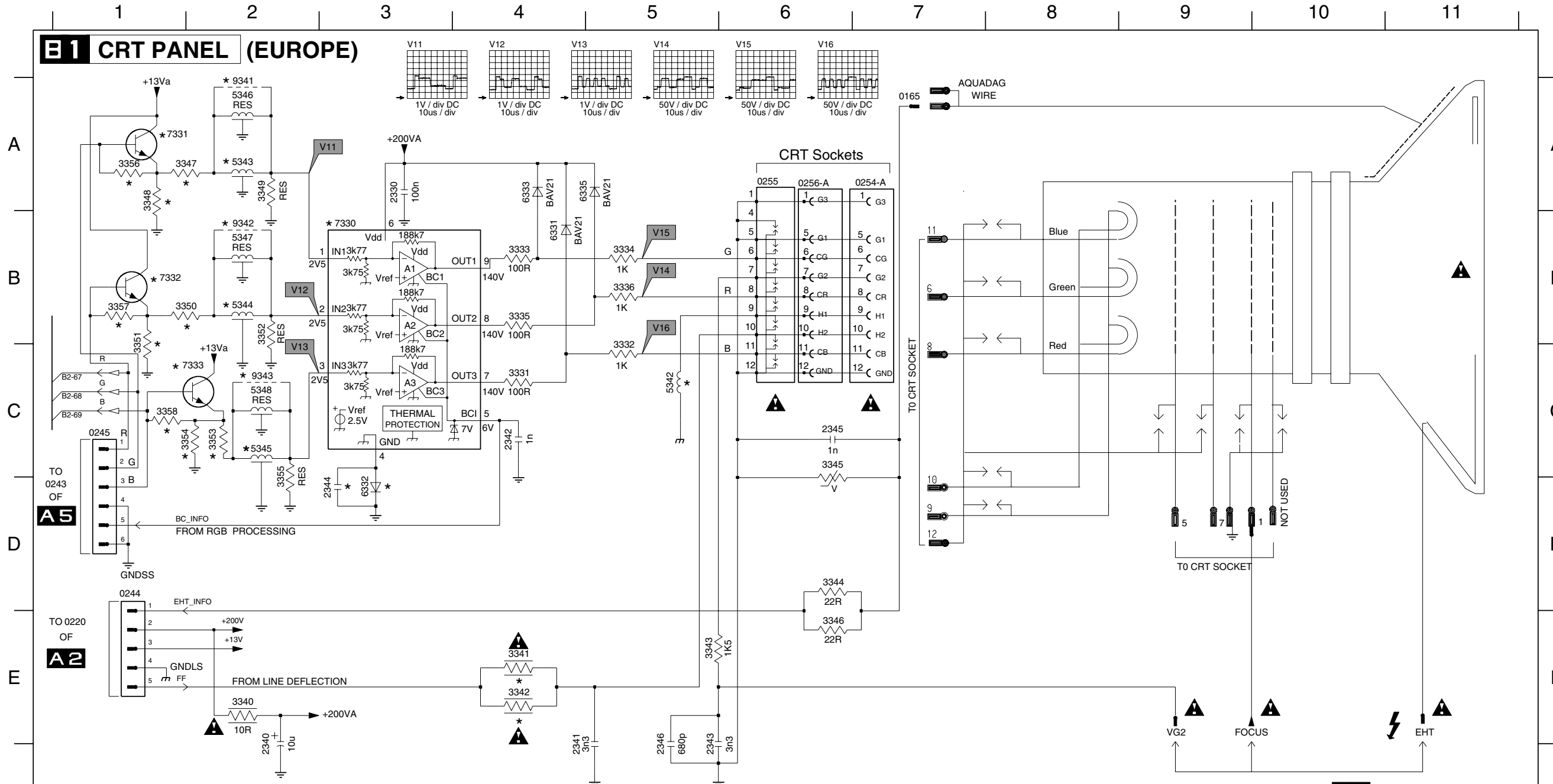


Layout Mono Carrier (Part 3 Bottom Side)



CRT Panel

B1 CRT PANEL (EUROPE)



- VG2 E9
- 0165 A7
- 0244 D1
- 0245 C1
- 0254-A A7
- 0255 A6
- 0256-A A6
- 2330 A3
- 2340 F2
- 2341 F4
- 2342 C4
- 2343 F5
- 2344 D3
- 2345 C6
- 2346 F5
- 3331 C4
- 3332 C5
- 3333 B4
- 3334 B5
- 3335 B4
- 3336 B5
- 3340 E2
- 3341 E4
- 3342 E4
- 3343 E5
- 3344 D6
- 3345 C6
- 3346 E6
- 3347 A2
- 3348 A1
- 3349 A2
- 3350 B2
- 3351 B1
- 3352 B2
- 3353 C2
- 3354 C2
- 3355 C2
- 3356 A1
- 3357 B1
- 3358 C1
- 5342 C5
- 5343 A2
- 5344 B2
- 5345 C2
- 5346 A2
- 5347 B2
- 5348 C2
- 6331 B4
- 6332 D3
- 6333 A4
- 6335 A4
- 7330 B3
- 7331 A1
- 7332 B1
- 7333 C1
- 9341 A2
- 9342 B2
- 9343 C2

Diversity Table

ITEM	REGION TUBE (EUROPE)							
	21/25RF	29SF	28BLD/BLS/32WS(O)	29RF(I)	28/32WS(I)	32W(TH)(O)	28/32WS(TH)(I)	NO SVM SETS
2344	100n	100n	100n	JMP	JMP	100n	JMP	100n
3347	JMP	JMP	JMP	1K	1K	JMP	1K	JMP
3348	---	---	---	1K	1K	---	1K	---
3350	JMP	JMP	JMP	1K	1K	JMP	1K	JMP
3351	---	---	---	1K	1K	---	1K	---
3353	JMP	JMP	JMP	1K	1K	JMP	1K	JMP
3354	---	---	---	1K	1K	---	1K	---
3356	JMP	JMP	JMP	---	---	JMP	---	JMP
3357	JMP	JMP	JMP	---	---	JMP	---	JMP
3358	JMP	JMP	JMP	---	---	JMP	---	JMP
5343	---	---	---	SDL-4893	SDL-4893	---	SDL-4893	---
5344	---	---	---	SDL-4893	SDL-4893	---	SDL-4893	---
5345	---	---	---	SDL-4893	SDL-4893	---	SDL-4893	---
6332	BAS316	BAS316	BAS316	---	---	BAS316	---	BAS316
7330	TDA6107	TDA6107	TDA6107	TDA6108	TDA6108	TDA6107	TDA6108	TDA6107
7331	---	---	---	BC847B	BC847B	---	BC847B	---
7332	---	---	---	BC847B	BC847B	---	BC847B	---
7333	---	---	---	BC847B	BC847B	---	BC847B	---
9341	JMP	JMP	JMP	---	---	JMP	---	JMP
9342	JMP	JMP	JMP	---	---	JMP	---	JMP
9343	JMP	JMP	JMP	---	---	JMP	---	JMP

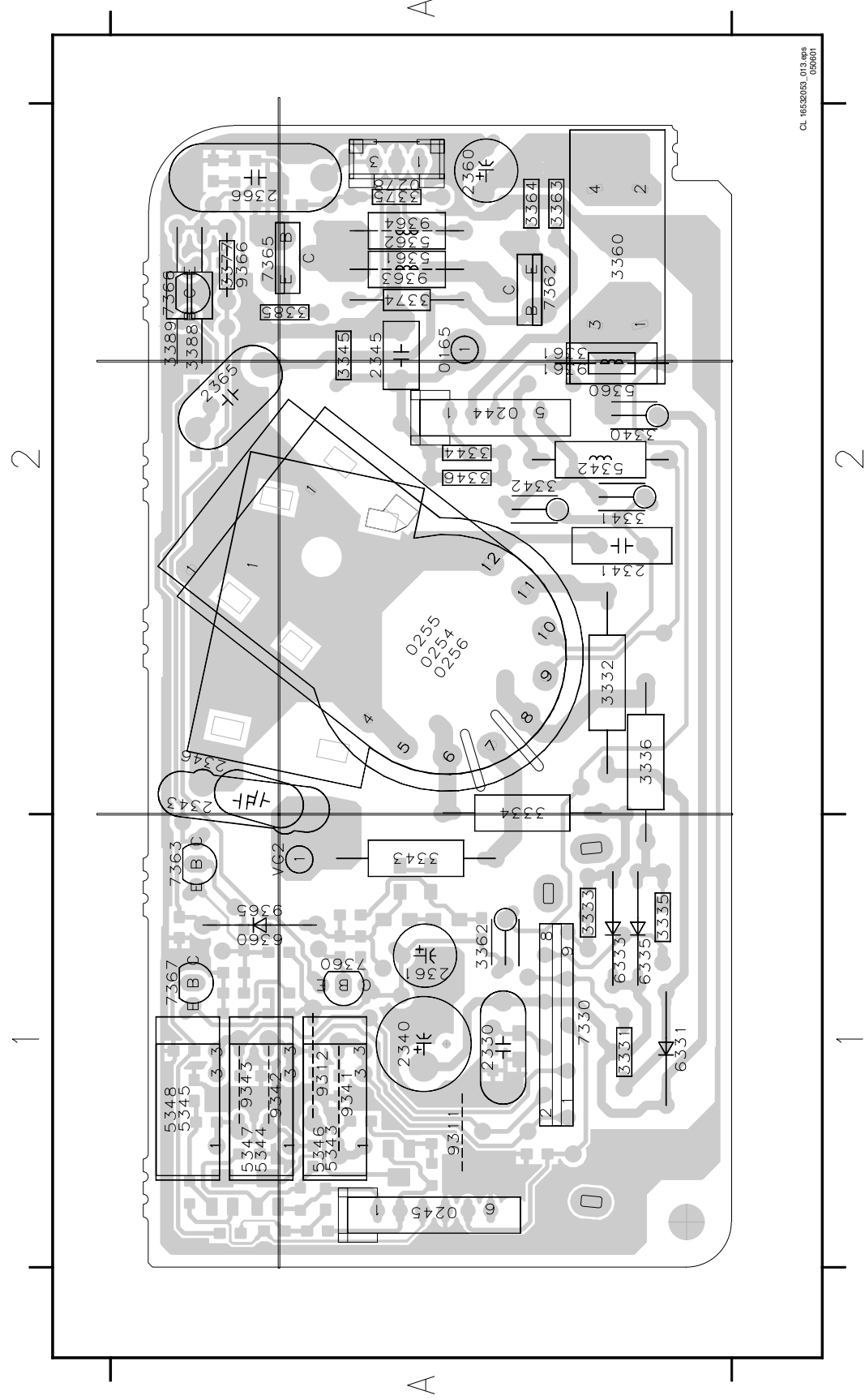
Diversity Table

ITEM	REGION TUBE															
	EU PH NO EW	EU PH 21FSQ	EU PH 28*BLD	EU PH 28*BLS	EU PH 25BLD	EU PH 25BLS	EU PH 29SF	EU PH 24*WS BLD	EU PH 29*RF	EU PH 32*WS BLS	EU PH 28*WS BLD	EU PH 25*RF	EU PH 21*RF	EU PH 32WS	EU PH 28WS	
3341	1R	1R	1R	1R	1R	1R	1R	1R	1R	1R	1R	1R	1R	1R	1R	
3342	1R	1R	1R	1R	1R	1R	1R	1R	1R	1R	1R	1R	1R	1R	1R	
5342	22u	15u	22u	15u	22u	18u	22u	3u9	18u	22u	3u9	100MHZ	50R	JMP	JMP	

MODEL	L2K2				
REGION	EU				
TUBE	29RF	21RF	28WR	32WR	32WR
2343	---	2KV 3N3	2KV 2N2	---	---
2346	2KV 1N2	---	---	2KV 470P	---
3344	22R	22R	33R	33R	33R
3346	22R	22R	33R	33R	33R
5342	LAL04 3U9	LAL04 22U	LAL04 22U	LAL04 22U	LAL04 22U

Layout CRT and SCAVEM Panel (Top Side)

- | | | | |
|----|------|------|---------|
| A1 | 5346 | VG2 | 0165 |
| A1 | 5347 | 0244 | A2 5348 |
| A1 | 5360 | 0245 | A1 5360 |
| A2 | 5361 | 0254 | A2 5361 |
| A2 | 5362 | 0255 | A2 5362 |
| A1 | 6331 | 0256 | A2 6331 |
| A1 | 6333 | 0278 | A2 6333 |
| A1 | 6335 | 2330 | A1 6335 |
| A1 | 6360 | 2340 | A1 6360 |
| A1 | 7360 | 2341 | A2 7360 |
| A1 | 7362 | 2343 | A2 7362 |
| A2 | 7363 | 2345 | A2 7363 |
| A1 | 7365 | 2346 | A2 7365 |
| A2 | 7365 | 2360 | A2 7365 |
| A2 | 7366 | 2361 | A1 7366 |
| A1 | 7367 | 2365 | A2 7367 |
| A1 | 9311 | 2366 | A2 9311 |
| A1 | 9312 | 3331 | A1 9312 |
| A1 | 9341 | 3332 | A2 9341 |
| A1 | 9342 | 3333 | A1 9342 |
| A1 | 9343 | 3334 | A2 9343 |
| A2 | 9361 | 3335 | A1 9361 |
| A2 | 9363 | 3336 | A2 9363 |
| A2 | 9364 | 3340 | A2 9364 |
| A1 | 9365 | 3341 | A2 9365 |
| A2 | 9366 | 3342 | A2 9366 |
| A1 | 9366 | 3343 | A1 9366 |
| A1 | | 3344 | A2 9366 |
| A1 | | 3345 | A2 9366 |
| A1 | | 3346 | A2 9366 |
| A1 | | 3360 | A2 9366 |
| A1 | | 3361 | A2 9366 |
| A1 | | 3362 | A2 9366 |
| A1 | | 3363 | A2 9366 |
| A1 | | 3364 | A2 9366 |
| A1 | | 3374 | A2 9366 |
| A1 | | 3375 | A2 9366 |
| A1 | | 3377 | A2 9366 |
| A1 | | 3377 | A2 9366 |
| A1 | | 3385 | A2 9366 |
| A1 | | 3388 | A2 9366 |
| A1 | | 3389 | A2 9366 |
| A1 | | 5342 | A2 9366 |
| A1 | | 5343 | A2 9366 |
| A1 | | 5344 | A2 9366 |
| A1 | | 5345 | A2 9366 |

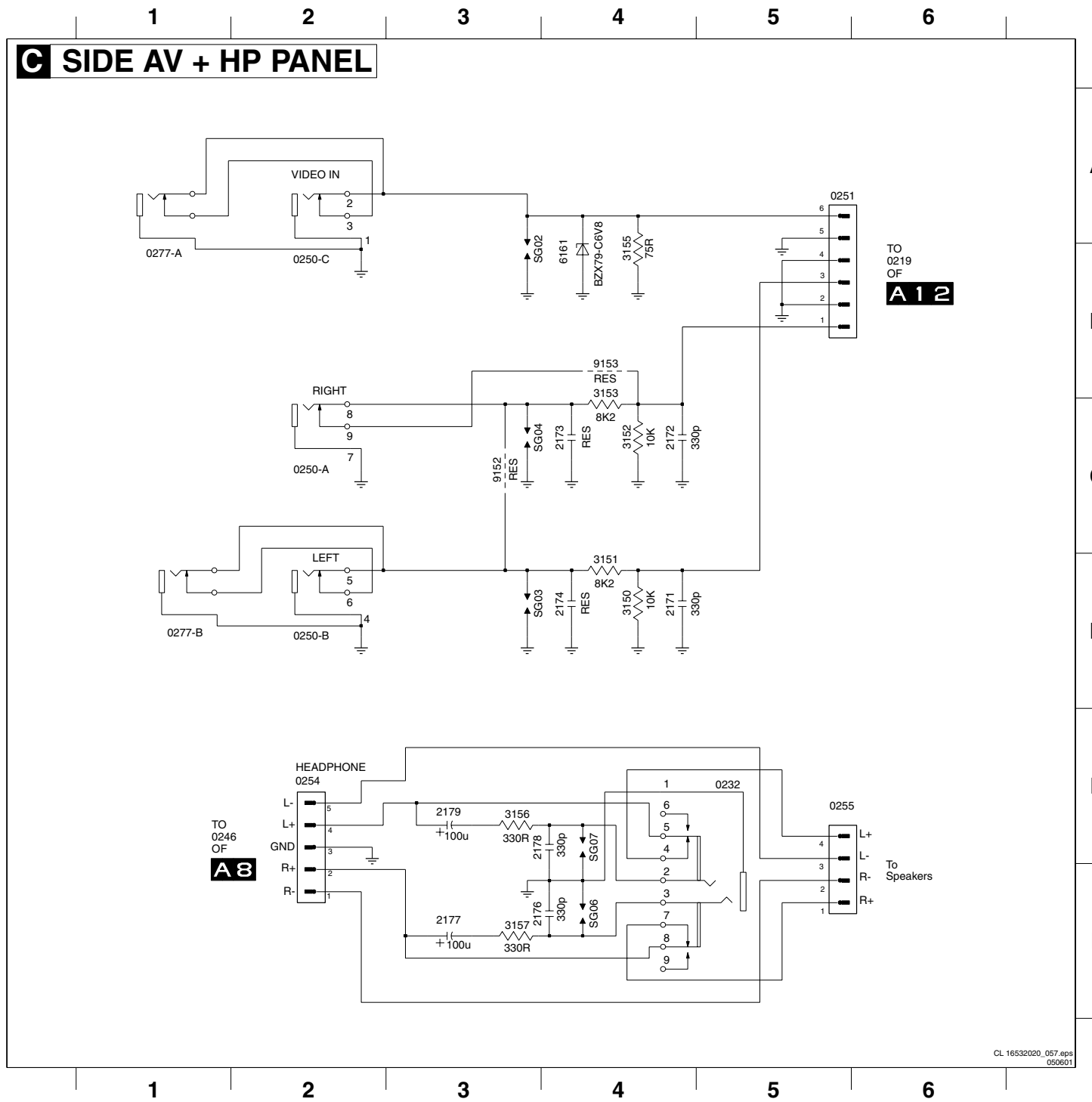


Layout CRT and SCAVEM (Bottom Side)

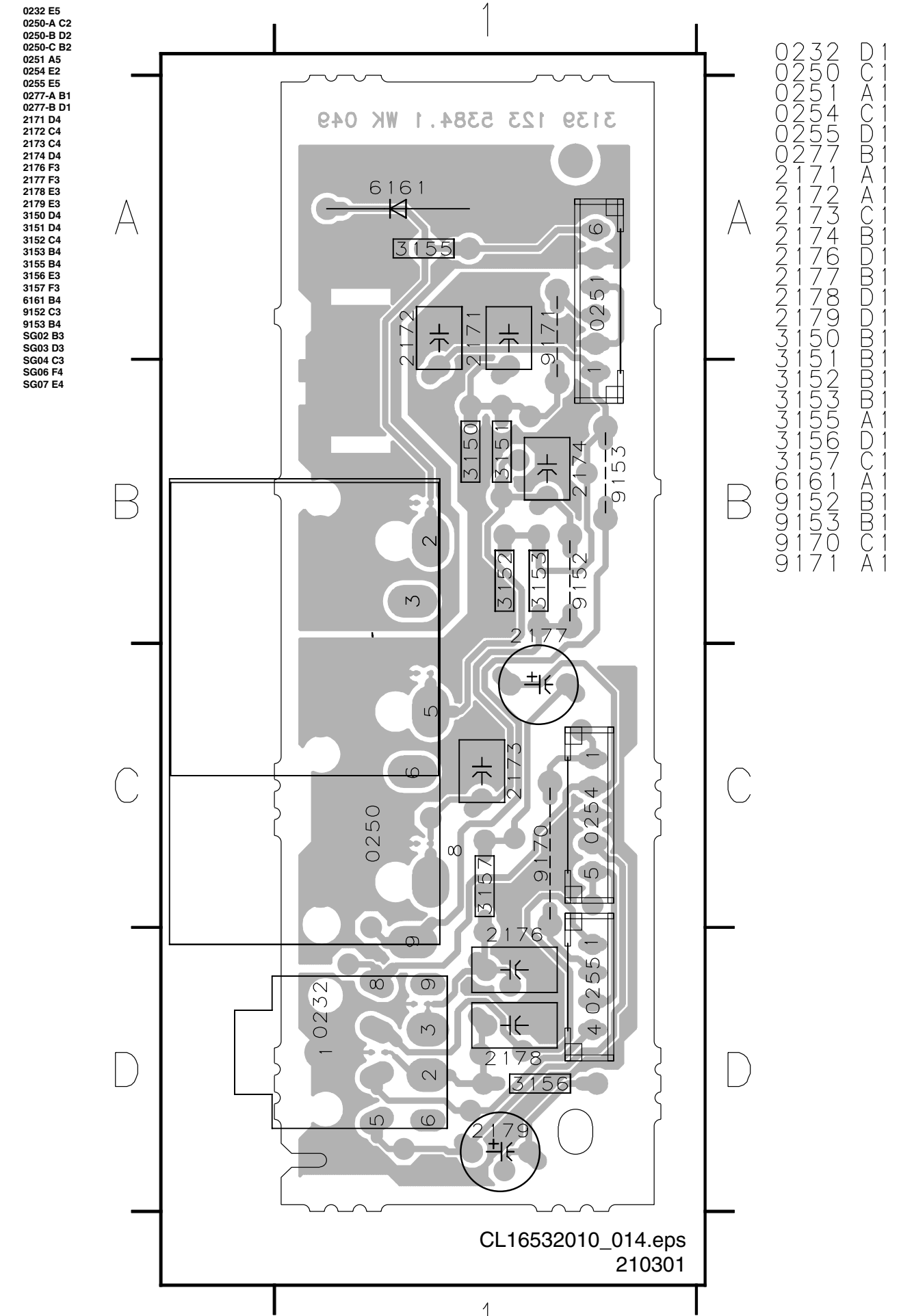
- | | |
|----|------|
| A2 | 2342 |
| A2 | 2344 |
| A2 | 2367 |
| A1 | 2368 |
| A2 | 2372 |
| A2 | 2373 |
| A2 | 2374 |
| A1 | 2375 |
| A1 | 2376 |
| A2 | 2377 |
| A2 | 3347 |
| A2 | 3348 |
| A2 | 3349 |
| A2 | 3350 |
| A2 | 3351 |
| A2 | 3352 |
| A2 | 3353 |
| A2 | 3354 |
| A2 | 3355 |
| A2 | 3356 |
| A2 | 3357 |
| A2 | 3358 |
| A2 | 3368 |
| A2 | 3369 |
| A2 | 3370 |
| A2 | 3371 |
| A1 | 3373 |
| A2 | 3376 |
| A2 | 3378 |
| A2 | 3379 |
| A2 | 3382 |
| A2 | 3383 |
| A1 | 3384 |
| A2 | 3386 |
| A2 | 3387 |
| A1 | 3390 |
| A1 | 3391 |
| A1 | 3392 |
| A2 | 3393 |
| A2 | 4311 |
| A2 | 6332 |
| A2 | 6361 |
| A2 | 6362 |
| A2 | 6364 |
| A2 | 6365 |
| A2 | 7331 |
| A2 | 7332 |
| A2 | 7333 |



Side AV + HP Panel



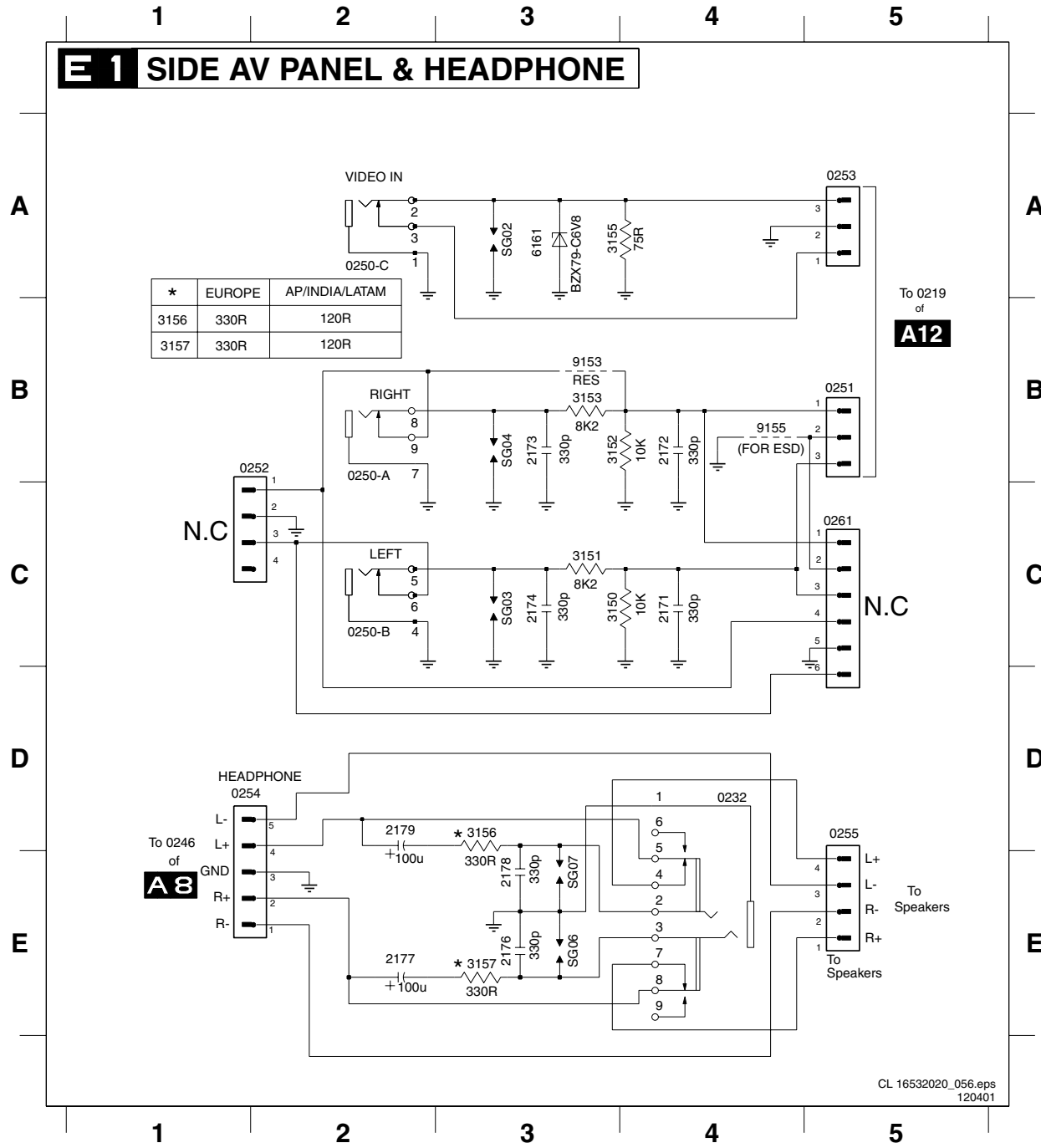
Layout Side AV + HP Panel (Top Side)



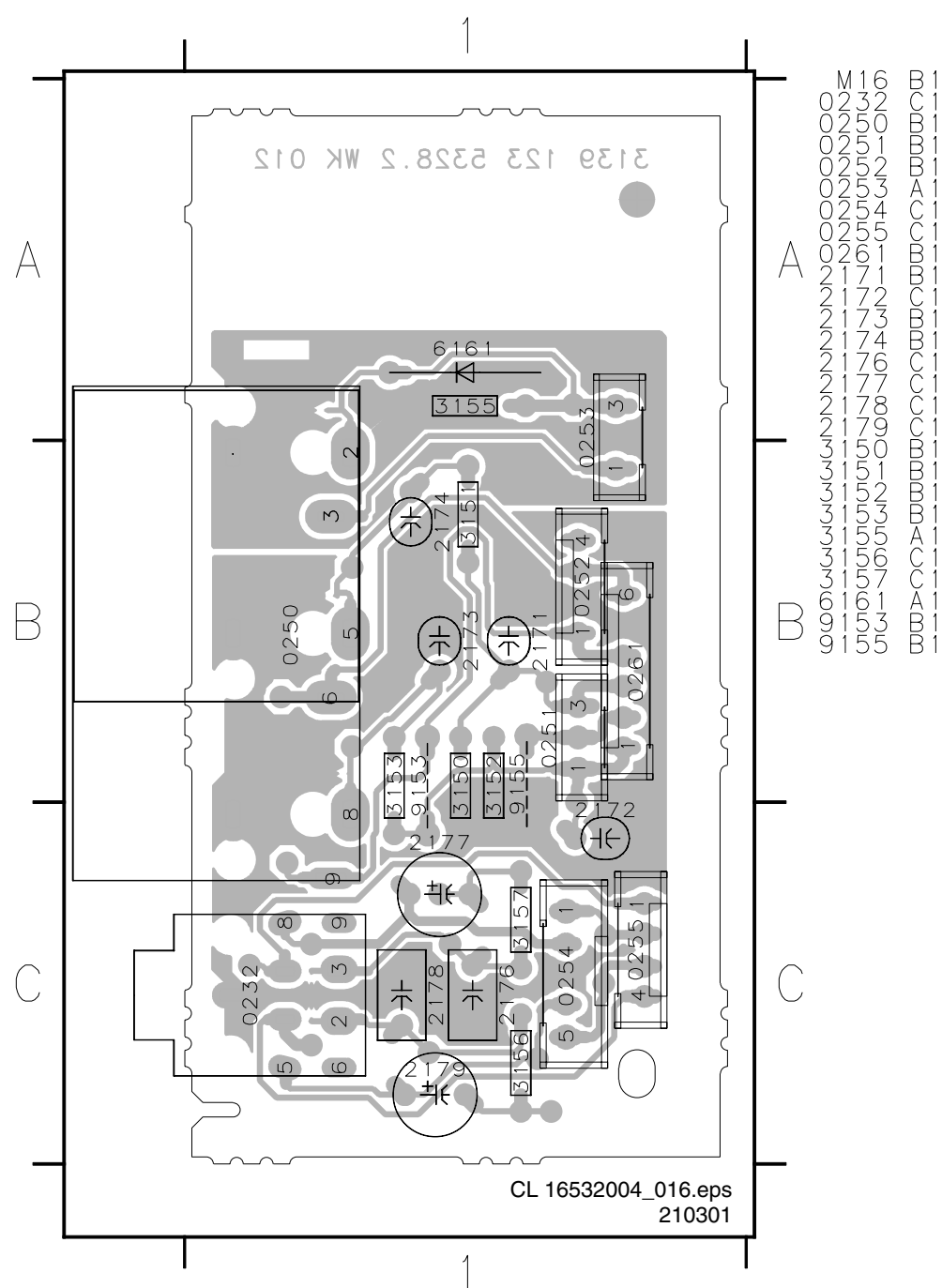
CL16532010_014.eps
210301

Side AV Panel + Headphone

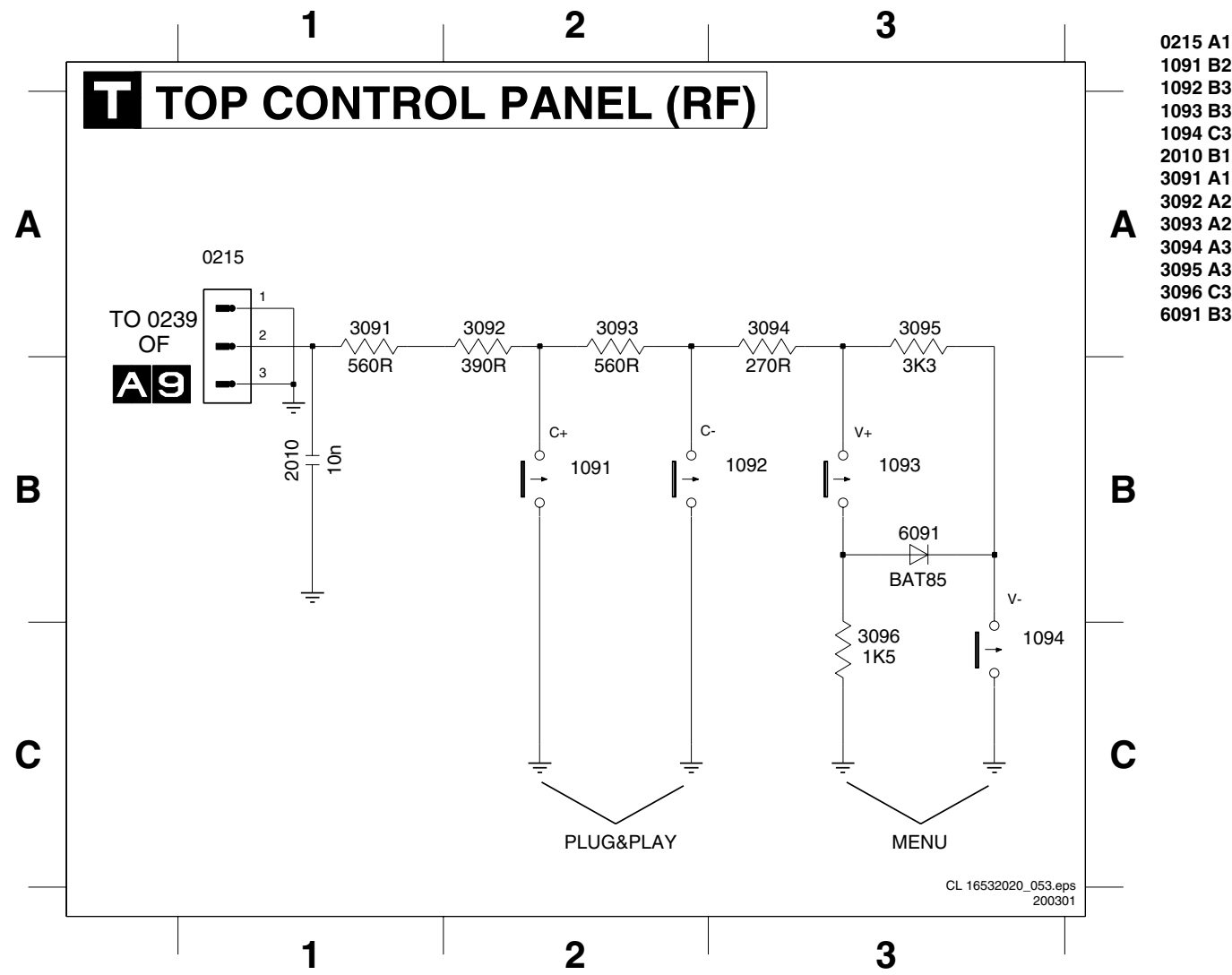
Layout Side AV Panel + Headphone (Top Side)



- 0232 D4
- 0250-A B2
- 0250-B C2
- 0250-C A2
- 0251 B5
- 0252 B2
- 0253 A5
- 0254 D2
- 0255 D5
- 0261 C5
- 2171 C4
- 2172 B4
- 2173 B3
- 2174 C3
- 2176 E3
- 2177 E2
- 2178 E3
- 2179 D2
- 3150 C3
- 3151 C3
- 3152 B3
- 3153 B3
- 3155 A3
- 3156 D3
- 3157 E3
- 6161 A3
- 9153 B3
- 9155 B4
- SG02 A3
- SG03 C3
- SG04 B3
- SG06 E3
- SG07 E3

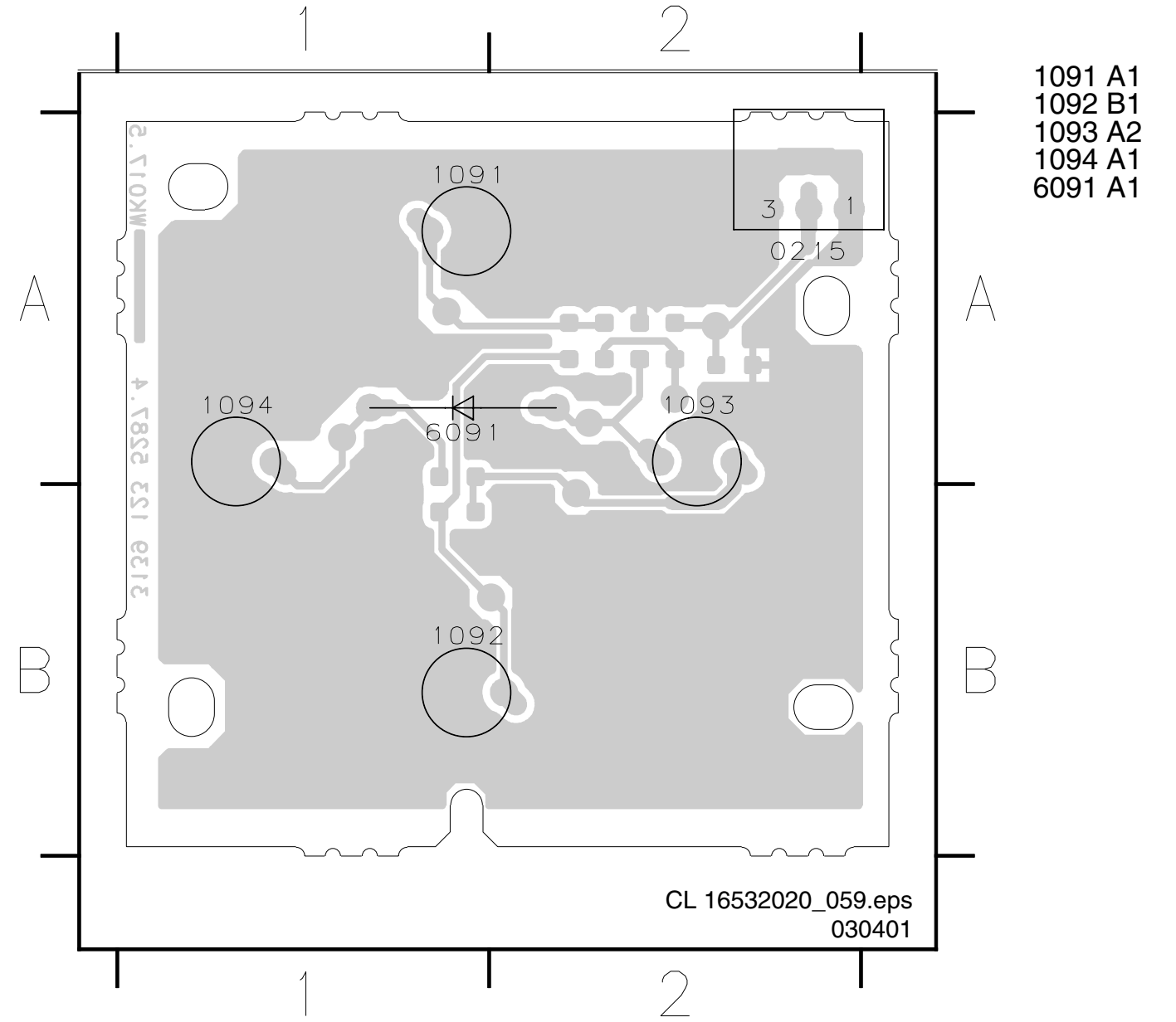


Top Control Panel (RF)



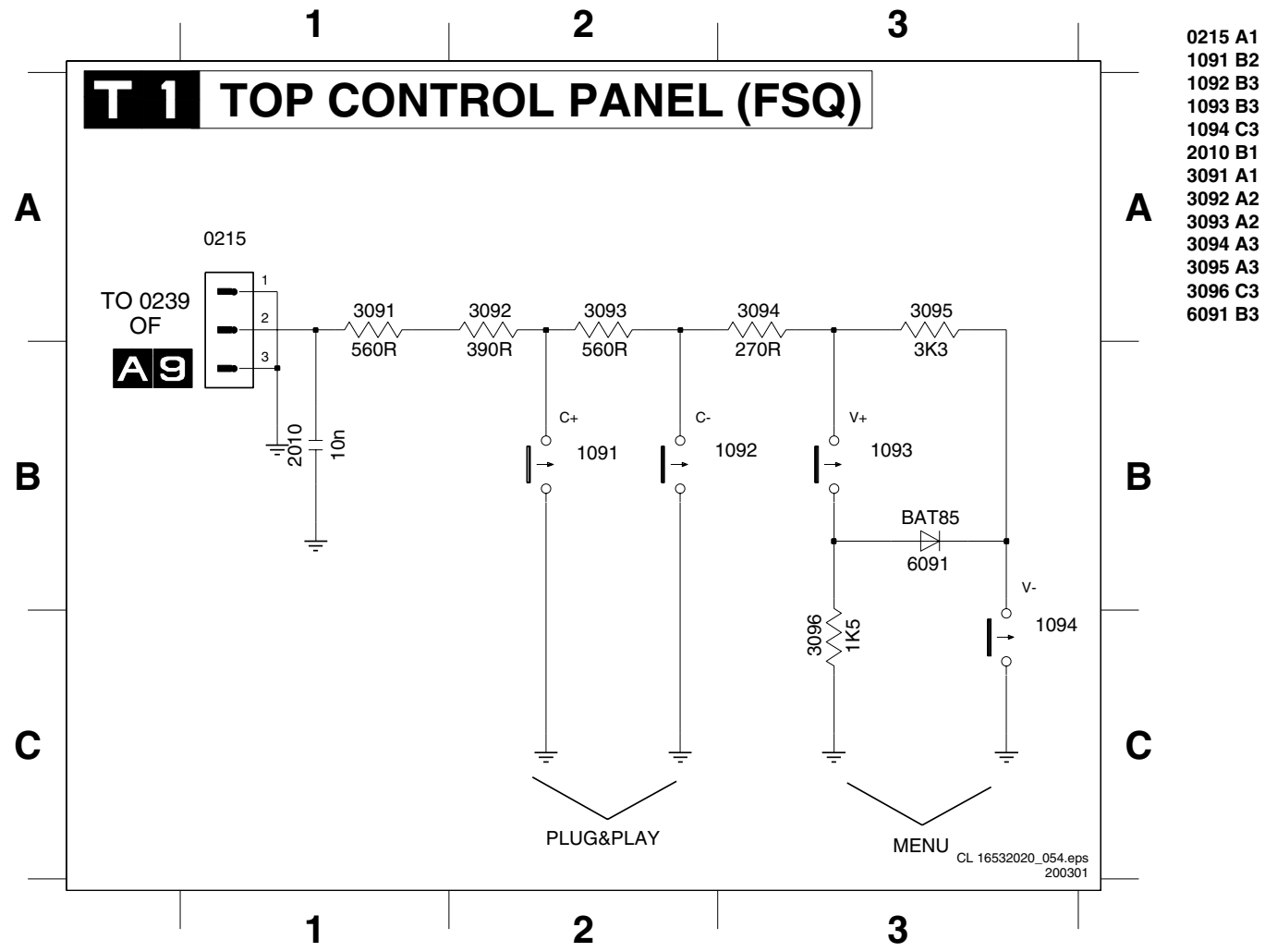
- 0215 A1
- 1091 B2
- 1092 B3
- 1093 B3
- 1094 C3
- 2010 B1
- 3091 A1
- 3092 A2
- 3093 A2
- 3094 A3
- 3095 A3
- 3096 C3
- 6091 B3

Layout Top Control Panel (RF) (Top Side)

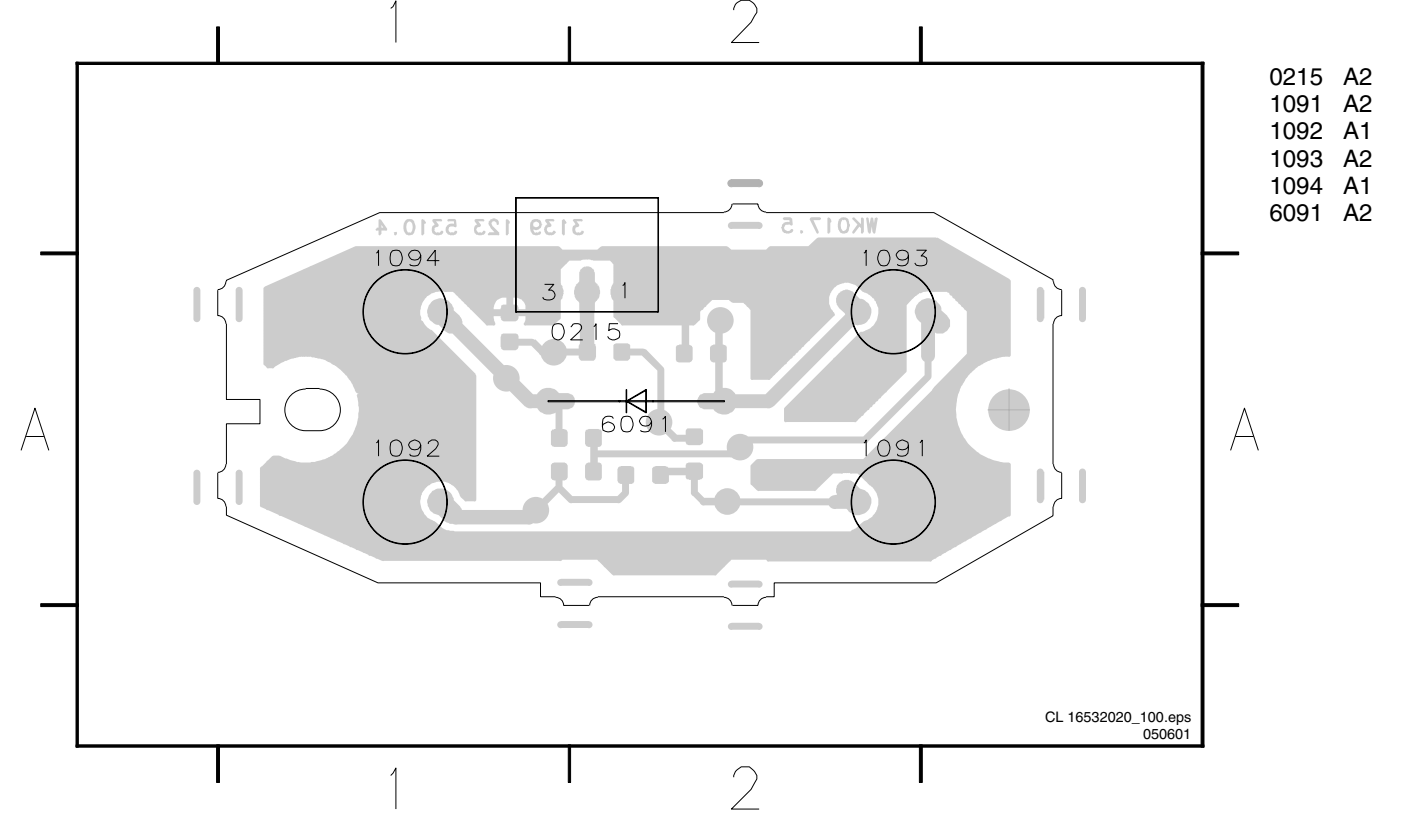


- 1091 A1
- 1092 B1
- 1093 A2
- 1094 A1
- 6091 A1

Top Control Panel (FSQ)



Layout Top Control Panel (FSQ) (Top Side)



8. Alignments

Index of this chapter:

1. General Alignment Conditions
2. Hardware Alignments
3. Software Alignments and Settings

Note: The Service Default Mode (SDM) and Service Alignment Mode (SAM) are described in chapter 5. Menu navigation is done with the 'CURSOR UP, DOWN, LEFT or RIGHT' keys of the remote control transmitter.

8.1 General Alignment Conditions

Perform all electrical adjustments under the following conditions:

- Mains voltage and frequency: according to country's standard.
- Connect the set to the Mains via an isolation transformer.
- Allow the set to warm up for approximately 20 minutes.
- Measure the voltages and waveforms in relation to chassis ground (with the exception of the voltages on the primary side of the power supply). Never use the cooling fins/plates as ground.
- Test probe: $R_i > 10 \text{ M}\Omega$; $C_i < 2.5 \text{ pF}$.
- Use an **isolated** trimmer/screwdriver to perform the alignments.

8.2 Hardware Alignments

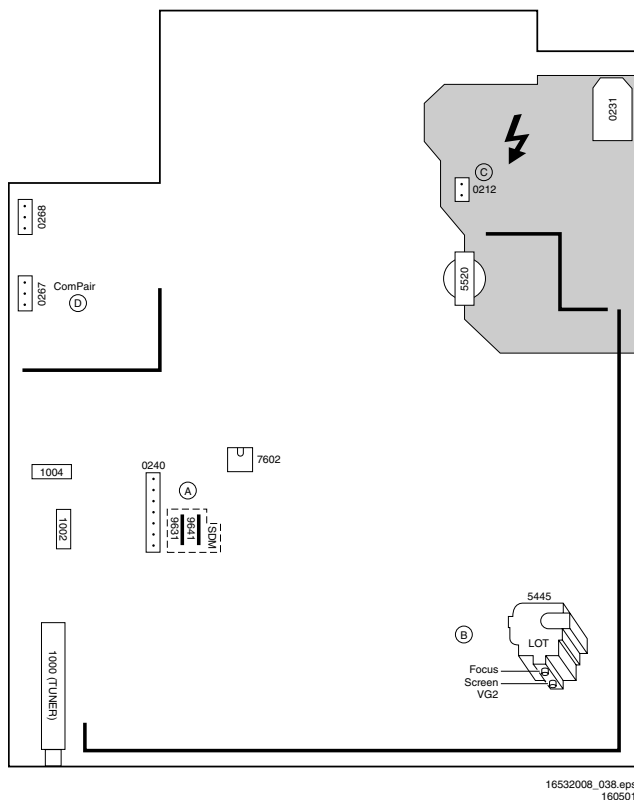


Figure 8-1

8.2.1 Vg2 Adjustment

1. Activate the SAM.
2. Go to the WHITE TONE sub menu.
3. Set the values of NORMAL RED, GREEN and BLUE to 40.
4. Go, via the MENU key, to the normal user menu and set
 - CONTRAST to zero.

- BRIGHTNESS to minimum (OSD just visible in a dark room).
5. Return to the SAM via the MENU key.
 6. Connect the RF output of a pattern generator to the antenna input. Test pattern is a 'black' picture (blank screen on CRT **without** any OSD info).
 7. Set the channel of the oscilloscope to 50 V/div and the time base to 0.2 ms (external triggering on the vertical pulse).
 8. Ground the scope at the CRT panel and connect a 10:1 probe to one of the cathodes of the picture tube socket (see diagram B).
 9. Measure the cut off pulse during first full line after the frame blanking (see Fig. 8-2). You will see two pulses, one being the cut off pulse and the other being the white drive pulse. Choose the one with the lowest value, this is the cut off pulse.
 10. Select the cathode with the highest V_{DC} value for the alignment. Adjust the V_{cutoff} of this gun with the SCREEN potentiometer (see Fig. 8-1) on the LOT to the correct value (see table below).
 11. Restore BRIGHTNESS and CONTRAST to normal (= 31).

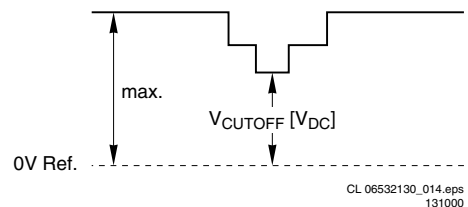


Figure 8-2

CUT-OFF VOLTAGE	
Screen size	Cut-off [V]
13V, 14, 14RF, 15RF, 17, 19V, 20	140 4
21 (L01S)	150 4
21 (L01L), 20RF, 21RF, 24WS, 25BLD, 25HF, 28 BLD, 28WS	125 4
25V, 25BLS, 25RF, 27V, 28BLS, 29, 29RF, 32V, 33, 32WS, 35V	145 10

CL 16532008_056.pdf
220801

Figure 8-3

8.2.2 Focusing

1. Tune the set to a circle or crosshatch test pattern (use an external video pattern generator).
2. Choose picture mode NATURAL (or MOVIES) with the 'SMART PICTURE' button on the remote control transmitter.
3. Adjust the FOCUS potentiometer (see Fig. 8-1) until the vertical lines at 2/3 from east and west, at the height of the centreline, are of minimum width without visible haze.

8.3 Software Alignments and Settings

Enter the Service Alignment Mode (see chapter 5). The SAM menu will now appear on the screen.

Select one of the following alignments:

1. Options
2. Tuner
3. White Tone
4. Geometry
5. Audio

8.3.1 Options

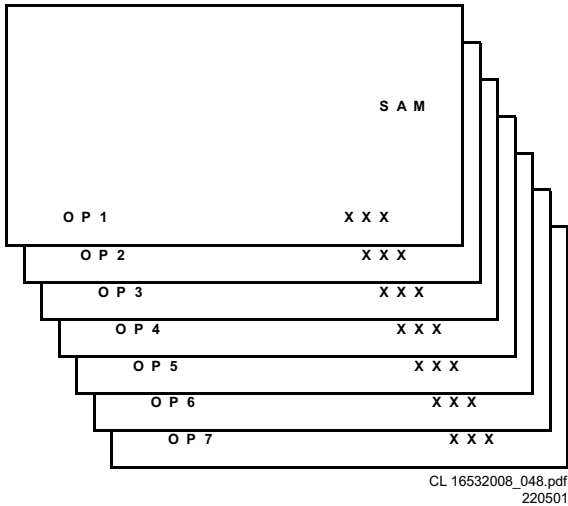


Figure 8-4

Options are used to control the presence/absence of certain features and hardware.

How to change an Option Byte

An Option Byte represents a number of different options. Changing these bytes directly makes it possible to set all options very fast. All options are controlled via seven option bytes. Select the option byte (OB1.. OB7) with the MENU UP/DOWN keys, and enter the new value.

Leaving the OPTION submenu saves changes in the Option Byte settings. Some changes will only take effect after the set has been switched OFF and ON with the Mains switch (cold start).

How to calculate the value of an Option Byte

Calculate an Option Byte value (OB1 .. OB7) in the following way:

1. Check the status of the single option bits (OP): are they enabled (1) or disabled (0).
2. When an option bit is enabled (1) it represents a certain value (see first column 'value between brackets' in first table below). When an option bit is disabled, its value is 0.
3. The total value of an Option Byte is formed by the sum of its eight option bits. See second table below for the correct option numbers per typenumber.

Bit (value)	OB1	OB2	OB3	OB4	OB5	OB6	OB7
0 (1)	OP10	OP20	OP30	OP40	OP50	OP60	OP70
1 (2)	OP11	OP21	OP31	OP41	OP51	OP61	OP71
2 (4)	OP12	OP22	OP32	OP42	OP52	OP62	OP72
3 (8)	OP13	OP23	OP33	OP43	OP53	OP63	OP73
4 (16)	OP14	OP24	OP34	OP44	OP54	OP64	OP74
5 (32)	OP15	OP25	OP35	OP45	OP55	OP65	OP75
6 (64)	OP16	OP26	OP36	OP46	OP56	OP66	OP76
7 (128)	OP17	OP27	OP37	OP47	OP57	OP67	OP77
Total:	Sum	Sum	Sum	Sum	Sum	Sum	Sum

Figure 8-5

Typenumber	OB1	OB2	OB3	OB4	OB5	OB6	OB7
21PT5306/01	220	246	193	184	244	54	67
21PT5506/01	220	246	225	184	244	54	67
21PT5506/05	220	246	225	184	244	54	67
21PT5506/58	220	246	225	184	244	54	65
24PW6006/01	220	246	159	184	244	54	67
24PW6006/05	220	246	159	184	244	54	67
25PT4457/01	220	246	225	56	244	2	67
25PT4457/05	220	246	225	56	244	2	67
25PT4457/58	220	246	225	56	244	2	65
25PT5107/01	220	246	225	184	244	54	67
25PT5107/05	220	246	225	56	244	2	67
25PT5107/58	220	246	225	184	244	54	65
25PT5506/01	28	174	129	152	128	32	67
25PT5506/58	28	174	129	152	128	32	65
28PT4406/58	4	196	224	40	228	0	65
28PT4406/01	4	196	224	40	228	0	67
28PT4457/01	220	246	225	56	244	2	67
28PT4457/05	220	246	225	56	244	2	67
28PT4457/58	220	246	225	56	244	2	65
28PT5107/01	220	246	225	184	244	54	67
28PT5107/05	220	246	225	184	244	2	67
28PT5107/58	220	246	225	184	244	54	65
28PW5407/01	28	214	158	40	244	2	67
28PW6006/05	220	246	159	184	244	54	67
28PW6006/01	220	246	159	184	244	54	67
28PW6006/58	220	246	158	40	244	54	65
29PT5306/01	220	246	225	184	244	54	67
29PT5306/58	220	246	225	184	244	54	65
29PT5506/01	220	246	225	184	244	54	67
29PT5506/58	220	246	225	184	244	54	65
32PW5407/01	28	222	158	40	244	2	67
32PW6006/01	220	254	159	184	244	54	67
32PW6006/05	220	254	159	184	244	54	67
32PW6006/21	220	254	159	184	244	54	67
32PW6006/25	220	254	159	184	244	54	67
32PW6006/48	28	246	158	40	244	0	67
32PW6006/58	28	246	158	40	244	0	65
63TA5216/03	28	22	224	40	244	0	67
63TA5216/11	28	22	224	40	244	0	67
63TA5216/18	28	22	224	40	244	0	67
70WA6216/03	28	22	158	40	244	0	67
70WA6216/11	28	22	158	40	244	0	67
70WA6216/18	28	22	158	40	244	0	67
82PW6216/18	28	30	158	40	244	0	67

Figure 8-6

Option Bit Assignment

Following are the option bit assignments for all L01 software clusters.

- **Option Byte 1 (OB1)**
 - OP10: CHINA
 - OP11: VIRGIN_MODE
 - OP12: UK_PNP
 - OP13: ACI
 - OP14: ATS
 - OP15: LNA
 - OP16: FM_RADIO
 - OP17: PHILIPS_TUNER
- **Option Byte 2 (OB2)**
 - OP20: HUE
 - OP21: COLOR_TEMP
 - OP22: CONTRAST_PLUS
 - OP23: TILT

- OP24: NOISE_REDUCTION
- OP25: CHANNEL_NAMING
- OP26: SMART_PICTURE
- OP27: SMART_SOUND
- **Option Byte 3 (OB3)**
 - OP30: AVL
 - OP31: WSSB
 - OP32: WIDE_SCREEN
 - OP33: SHIFT_HEADER_SUBTITLE
 - OP34: CONTINUOUS_ZOOM
 - OP35: COMPRESS_16_9
 - OP36: EXPAND_4_3
 - OP37: EW_FUNCTION
- **Option Byte 4 (OB4)**
 - OP40: STEREO_NON_DBX
 - OP41: STEREO_DBX
 - OP42: STEREO_PB
 - OP43: STEREO_NICAM_2CS
 - OP44: DELTA_VOLUME
 - OP45: ULTRA_BASS
 - OP46: VOLUME_LIMITER
 - OP47: INCR_SUR
- **Option Byte 5 (OB5)**
 - OP50: PIP
 - OP51: HOTEL_MODE
 - OP52: SVHS
 - OP53: CVI
 - OP54: AV3
 - OP55: AV2
 - OP56: AV1
 - OP57: NTSC_PLAYBACK
- **Option Byte 6 (OB6)**
 - OP60: Reserved (value = 0)
 - OP61: SMART_TEXT
 - OP62: SMART_LOCK
 - OP63: VCHIP
 - OP64: WAKEUP_CLOCK
 - OP65: SMART_CLOCK
 - OP66: SMART_SURF
 - OP67: PERSONAL_ZAPPING
- **Option Byte 7 (OB7)**
 - OP70: SOUND_SYSTEM_AP_3/
MULTI_STANDARD_EUR/SYSTEM_LT_2
 - OP71: SOUND_SYSTEM_AP_2/WEST_EU/
SYSTEM_LT_1
 - OP72: SOUND_SYSTEM_AP_1
 - OP73: COLOR_SYSTEM_AP
 - OP74: Reserved (value = 0)
 - OP75: Reserved (value = 0)
 - OP76: TIME_WIN2
 - OP77: TIME_WIN1

Option bit definition

OP10: CHINA

0 : Tuning is not for China set, or this option bit is not applicable,
1 : Tuning is for China set,
Default setting : 0.

OP11: VIRGIN_MODE

0 : Virgin mode is disabled or not applicable,
1 : Virgin mode is enabled. Plug and Play menu item will be displayed to perform installation at the initial start-up of the TV when VIRGIN_MODE is set to 1. After installation is finished, this option bit will be automatically set to 0,
Default setting : 0.

OP12: UK_PNP

0 : UK's default Plug and Play setting is not available or not applicable,
1 : UK's default Plug and Play setting is available. When UK_PNP and VIRGIN_MODE are set to 1 at the initial set-up, LANGUAGE = ENGLISH, COUNTRY = GREAT BRITAIN and after exiting from menu, VIRGIN_MODE will be set automatically to 0 while UK_PNP remains 1,

Default setting : 0.

OP13: ACI

0 : ACI feature is disabled or not applicable,
1 : ACI feature is enabled,
Default setting : 0.

OP14: ATS

0 : ATS feature is disabled or not applicable,
1 : ATS feature is enabled. When ATS is enabled, it sorts the program in an ascending order starting from program 1,
Default setting : 0.

OP15: LNA

0 : Auto Picture Booster is not available or not applicable,
1 : Auto Picture Booster is available,
Default setting : 0.

OP16: FM_RADIO

0 : FM radio feature is disabled or not applicable,
1 : FM radio feature is enabled,
Default setting : 0.

OP17: PHILIPS_TUNER

0 : ALPS/MASCO compatible tuner is in use,
1 : Philips compatible tuner is in use,
Default setting : 0.

OP20: HUE

0 : Hue/Tint Level is disabled or not applicable,
1 : Hue/Tint Level is enabled,
Default setting : 0.

OP21: COLOR_TEMP

0 : Colour Temperature is disabled or not applicable,
1 : Colour Temperature is enabled,
Default setting : 0.

OP22: CONTRAST_PLUS

0 : Contrast+ is disabled or not applicable,
1 : Contrast+ is enabled,
Default setting : 0.

OP23: TILT

0 : Rotate Picture is disabled or not applicable,
1 : Rotate Picture is enabled,
Default setting : 0.

OP24: NOISE_REDUCTION

0 : Noise Reduction (NR) is disabled or not applicable,
1 : Noise Reduction (NR) is enabled,
Default setting : 0.

OP25: CHANNEL_NAMING

0 : Name FM Channel is disabled or not applicable,
1 : Name FM Channel is enabled,
Default setting : 0.
Note: Name FM channel can be enabled only when FM_RADIO = 1.

OP26: SMART_PICTURE

0 : Smart Picture is disabled or not applicable,
1 : Smart Picture is enabled,
Default setting : 1

OP27: SMART_SOUND

0 : Smart Sound is disabled or not applicable,
1 : Smart Sound is enabled,
Default setting : 1

AP30: AVL

0 : AVL is disabled or not applicable,

1 : AVL is enabled,
Default setting : 0.

OP31: WSSB

0 : WSSB is disabled or not applicable,
1 : WSSB is enabled,
Default setting : 0. **Note:** This option bit can be set to 1 only when WIDE_SCREEN = 1.

OP32: WIDE_SCREEN

0 : Software is used for 4:3 set or not applicable,
1 : Software is used for 16:9 set,
Default setting : 0.

OP33: SHIFT_HEADER_SUBTITLE

0 : Shift Header/Subtitle is disabled or not applicable,
1 : Shift Header/Subtitle is enabled,
Default setting : 0. **Note:** This option bit can be set to 1 only when WIDE_SCREEN = 1.

OP34: CONTINUOUS_ZOOM

0 : Continuous Zoom is disabled or not applicable,
1 : Continuous Zoom is enabled,
Default setting : 0. **Note:** This option bit can be set to 1 only when WIDE_SCREEN = 1.

OP35: COMPRESS_16_9

0 : COMPRESS 16:9 selection is not applicable. Item should not be in the FORMAT menu list,
1 : COMPRESS 16:9 selection is applicable. Item should not be in the FORMAT menu list,
Default setting : 0.

OP36: EXPAND_4_3

0 : Expand 4:3 selection is not applicable. Item should not be in the FORMAT menu list,
1 : Expand 4:3 selection is applicable. Item should be in the FORMAT menu list,
Default setting : 0.

OP37: EW_FUNCTION

0 : EW function is disabled. In this case, only Expand 4:3 is allowed, Compress 16:9 is not applicable.
1 : EW function is enabled. In this case, both Expand 4:3 and Compress 16:9 are applicable.
Default setting : 0.

OP40: STEREO_NON_DBX

0 : For AP_NTSC, chip TDA 9853 is not present,
1 : For AP_NTSC, chip TDA 9853 is present,
Default setting : 0.

OP41: STEREO_DBX

0 : For AP_NTSC, chip MSP 3445 is not present,
1 : For AP_NTSC, chip MSP 3445 is present,
Default setting : 0.

OP42: STEREO_PB

0 : For AP_PAL, chip MSP3465 is not present,
1 : For AP_PAL, chip MSP3465 is present,
Default setting : 0.

OP43: STEREO_NICAM_2CS

0 : For EU and AP_PAL, chip MSP 3415 is not present,
1 : For EU and AP_PAL, chip MSP 3415 is present,
Default setting : 0.

OP44: DELTA_VOLUME

0 : Delta Volume Level is disabled or not applicable,
1 : Delta Volume Level is enabled,
Default setting : 0.

OP45: ULTRA_BASS

0 : Ultra Bass is disabled or not applicable,
1 : Ultra Bass is enabled,

Default setting : 0.

OP46: VOLUME_LIMITER

0 : Volume Limiter Level is disabled or not applicable,
1 : Volume Limiter Level is enabled,
Default setting : 0.

OP47: INCR_SUR

0 : Incredible Surround feature is disabled,
1 : Incredible Surround feature is enabled,
Default setting : 1

OP50: PIP

0 : PIP is disabled or not applicable,
1 : PIP is enabled,
Default setting : 0.

OP51: HOTEL_MODE

0 : Hotel mode is disabled or not applicable,
1 : Hotel mode is enabled,
Default setting : 0.

OP52: SVHS

0 : SVHS source is not available,
1 : SVHS source is available,
Default setting : 0.

Note: This option bit is not applicable for EU.

OP53: CVI

0 : CVI source is not available,
1 : CVI source is available,
Default setting : 0.

OP54: AV3

0 : Side/Front AV3 source is not present,
1 : Side/Front AV3 source is present,
Default setting : 0.

OP55: AV2

0 : AV2 source is not present,
1 : AV2 source is present,
Default setting : 0.

Note: For EU, when AV2=1, both EXT2 and SVHS2 should be included in the OSD loop.

OP56: AV1

0 : AV1 source is not present,
1 : AV1 source is present,
Default setting : 0.

OP57: NTSC_PLAYBACK

0 : NTSC playback feature is not available,
1 : NTSC playback feature is available,
Default setting : 0.

OP60: Reserved

Default setting : 0.

OP61: SMART_TEXT

0 : Smart Text Mode and Favourite Page are disabled or not applicable,
1 : Smart Text Mode and Favourite Page are enabled,
Default setting : 1.

OP62: SMART_LOCK

0 : Child Lock and Lock Channel are disabled or not applicable for EU,
1 : Child Lock and Lock Channel are enabled for EU,
Default setting : 1.

OP63: VCHIP

0 : VCHIP feature is disabled,

1 : VCHIP feature is enabled,
Default setting : 1.

OP64: WAKEUP_CLOCK

0 : Wake up clock feature is disabled or not applicable,
1 : Wake up clock feature is enabled,
Default setting : 1.

OP65: SMART_CLOCK

0 : Smart Clock Using Teletext and Smart Clock Using PBS is disabled or not applicable,
1 : Smart Clock Using Teletext and Smart Clock Using PBS is enabled. For NAFTA, menu item AUTOCHRON is present in the INSTALL submenu,
Default setting : 0.

OP66: SMART_SURF

0 : Smart Surf feature is disabled or not applicable,
1 : Smart Surf feature is enabled,
Default setting : 0.

OP67: PERSONAL_ZAPPING

0 : Personal Zapping feature is disabled or not applicable,
1 : Personal Zapping feature is enabled,
Default setting : 0.

OP70: MULTI_STANDARD_EUR

0 : Not for Europe multi standard set, or this option bit is not applicable,
1 : For Europe multi standard set.
Default setting : 0.

Note: This option bit is used to control the SYSTEM selection in Manual Store : If MULTI_STANDARD_EUR = 1 then SYSTEM = Europe, West Europe, East Europe, UK, France otherwise SYSTEM = 'Europe, West Europe, UK for West Europe' (WEST_EU=1) or SYSTEM = 'Europe, West Europe, East Europe for East Europe' (WEST_EU=0)

OP71: WEST_EU

0 : For East Europe set, or this option bit is not applicable,
1 : For West Europe set,
Default setting : 0.

OP71 and 70: SYSTEM_LT_1, SYSTEM_LT_2

These two option bits are allocated for LATAM system selection.

00 : NTSC-M
01 : NTSC-M, PAL-M
10 : NTSC-M, PAL-M, PAL-N
11 : NTSC-M, PAL-M, PAL-N, PAL-BG
Default setting : 00

OP70, 71 and 72: SOUND_SYSTEM_AP_1, SOUND_SYSTEM_AP_2, SOUND_SYSTEM_AP_3

These three option bits are allocated for AP_PAL sound system selection.

000 : BG
001 : BG/DK
010 : I/DK
011 : BG/I/DK
100 : BG/I/DK/M
Default setting : 00

OP73: COLOR_SYSTEM_AP

This option bit is allocated for AP-PAL colour system selection.
0 : Auto, PAL 4.43, NTSC 4.43, NTSC 3.58
1 : Auto, PAL 4.43, NTSC 4.43, NTSC 3.58, SECAM
Default setting : 0

OP74: Reserved

Default setting : 0.

OP75: Reserved

Default setting : 0.

OP77 and 76: TIME_WIN1, TIME_WIN2

00 : The time window is set to 1.2s
01 : The time window is set to 2s
10 : The time window is set to 5s
11 : not in use

Default setting : 01

Note: The time-out for all digit entries depend on this setting.

8.3.2 Tuner

Note: Described alignments are only necessary when the NVM (item 7602) is replaced.

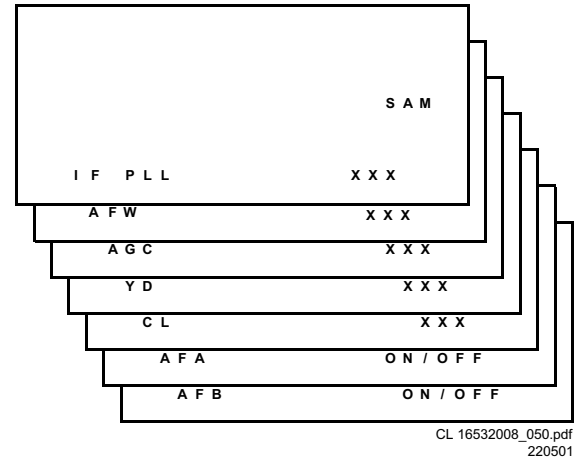


Figure 8-7

IFPLL

This adjustment is auto-aligned. Therefore, no action is required.
Default value is 30.

AFW (AFC window)

Select the lowest value.

AGC (AGC take over point)

Set the external pattern generator to a colour bar video signal and connect the RF output to aerial input.
Set amplitude to 10 mV and set frequency to 475.25 MHz (PAL/SECAM) or 61.25 MHz (NTSC).
Connect a DC multi-meter to pin 1 of the tuner (item 1000 on the main panel).

1. Activate the SAM.
2. Go to the TUNER sub menu.
3. Select AFW with the UP/DOWN cursor keys and set to ON.
4. Select AGC with the UP/DOWN cursor keys.
5. Adjust the AGC-value with the LEFT/RIGHT cursor keys until the voltage at pin 1 of the tuner lies between 3.8 and 2.3 V. Default value is 28.
6. Select AFW with the UP/DOWN cursor keys and set to OFF.
7. Switch the set to STANDBY.

YD (Y-delay adjustment)

Fixed value is 7.

CL (Cathode drive level)

Fixed value is 8.

AFA/AFB

Read only bit, for monitoring purpose only.

8.3.3 White Tone

S A M				
	N O R M A L	>	(1)	
	C O O L	>	(2)	
	W A R M	>	(3)	
(1)	N O R M A L	R E D	X X	
	N O R M A L	G R E E N	X X	
	N O R M A L	B L U E	X X	
(2)	D	C O O L	R E D	X X
	D	C O O L	G R E E N	X X
	D	C O O L	B L U E	X X
(3)	D	W A R M	R E D	X X
	D	W A R M	G R E E N	X X
	D	W A R M	B L U E	X X

CL 16532008_051.pdf
220501

Figure 8-8

In the WHITE TONE sub menu, the values of the black cut off level can be adjusted. Normally, no alignment is needed for the WHITE TONE. You can use the given default values.

The colour temperature mode (NORMAL, COOL and WARM) and the colour (R, G, and B) can be selected with the UP/DOWN RIGHT/LEFT cursor keys. First, select the values for the NORMAL colour temperature. Then select the values for the COOL and WARM mode. After alignment, switch the set to standby, in order to store the alignments.

Default settings:

1. **NORMAL** (colour temperature = 10500 K):
 - NORMAL R = 26
 - NORMAL G = 32
 - NORMAL B = 27
2. **COOL** (colour temperature = 14000 K):
 - DELTA COOL R = -3
 - DELTA COOL G = 0
 - DELTA COOL B = 5
3. **WARM** (colour temperature = 8200 K):
 - DELTA WARM R = 2
 - DELTA WARM G = 0
 - DELTA WARM B = -6

8.3.4 Geometry

The geometry alignments menu contains several items to align the set, in order to obtain a correct picture geometry.

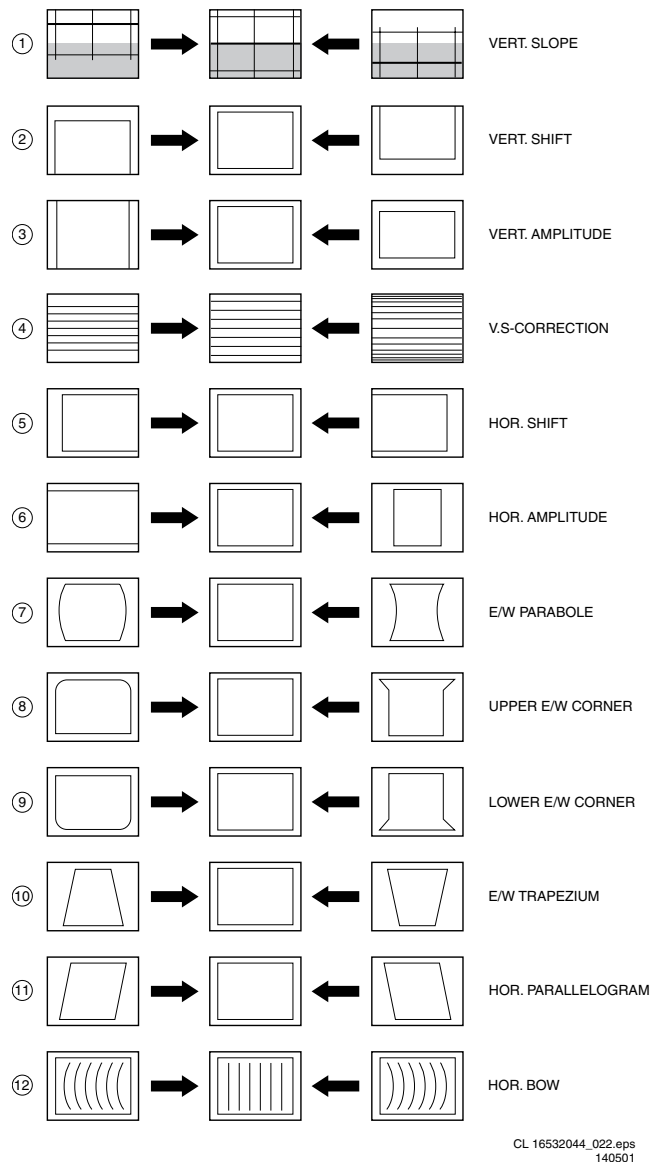


Figure 8-9

How to align

Connect an external video pattern generator to the aerial input of the TV-set and input a crosshatch test pattern.

Set amplitude to at least 1 mV and set frequency to 475.25 MHz (PAL/SECAM) or 61.25 MHz (NTSC).

1. Set 'Smart Picture' to NATURAL (or MOVIES).
2. Activate the SAM menu (see chapter 5).
3. Go to the GEOMETRY sub menu.
4. Choose HORIZONTAL or VERTICAL alignment

Now you can perform the following alignments:

Horizontal alignment

- **Horizontal Parallelogram (HP)**. Align straight vertical lines in the top and the bottom; vertical rotation around the centre.
- **Horizontal Bow (HB)**. Align straight horizontal lines in the top and the bottom; horizontal rotation around the centre.
- **Horizontal Shift (HSH)**. Align the horizontal centre of the picture to the horizontal centre of the CRT.
- **East West Width (EWW)**. Align the picture width until the complete test pattern is visible.
- **East West Parabola (EWP)**. Align straight vertical lines at the sides of the screen.
- **Upper Corner Parabola (UCP)**. Align straight vertical lines in the upper corners of the screen.

- **Lower Corner Parabola (LCP).** Align straight vertical lines in the lower corners of the screen.
- **East West Trapezium (EWT).** Align straight vertical lines in the middle of the screen.

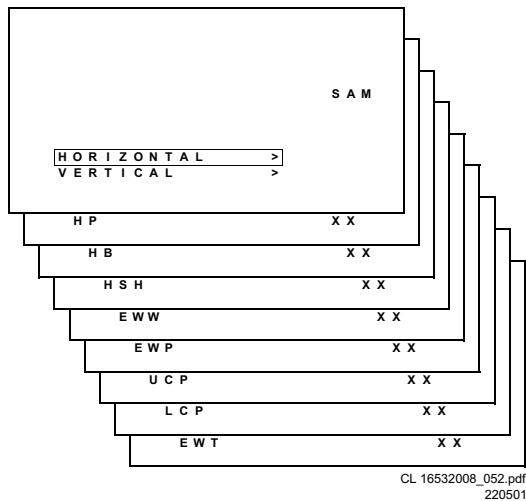


Figure 8-10

Vertical alignment

- **Vertical slope (VSL).** Align the vertical centre of the picture to the vertical centre of the CRT. This is the first of the vertical alignments to perform. For an easy alignment, set SBL to ON.
- **Vertical Amplitude (VAM).** Align the vertical amplitude so that the complete test pattern is visible.
- **Vertical S-Correction (VSC).** Align the vertical linearity, meaning that vertical intervals of a grid pattern must be equal over the entire screen height.
- **Vertical Shift (VSH).** Align the vertical centring so that the test pattern is located vertically in the middle. Repeat the 'vertical amplitude' alignment if necessary.
- **Vertical Zoom (VX).** The vertical zoom is added in for the purpose of development. It helps the designer to set proper values for the movie expand or movie (16x9) compress. Default value is 25.
- **Service blanking (SBL).** Switch the blanking of the lower half of the screen ON or OFF (to be used in combination with the vertical slope alignment).
- **H60.** Align straight horizontal lines if NTSC input (60 Hz) is used i.s.o. PAL (50 Hz).
- **V60.** Align straight vertical lines if NTSC input (60 Hz) is used i.s.o. PAL (50 Hz).

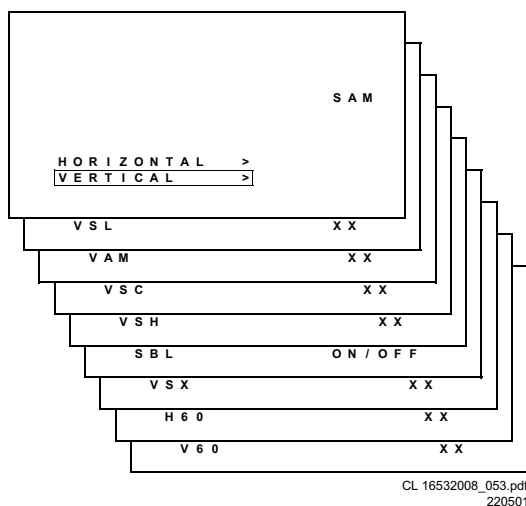


Figure 8-11

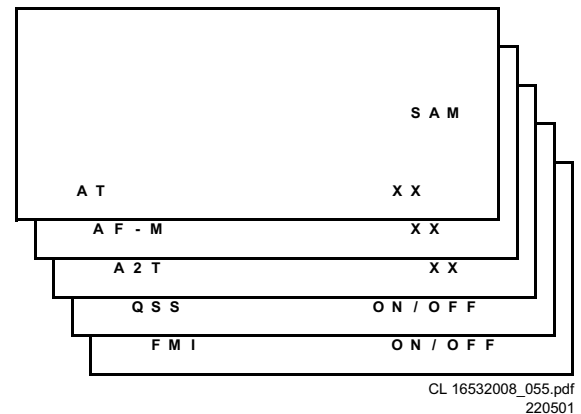
In the table below, you will find the GEOMETRY default values for the different sets.

DEFAULT GEOMETRY VALUES (L01 LARGE SCREEN)								
Alignment	Description	21" (4:3)	24" (16:9)	25" (4:3)	28" (4:3)	28" (16:9)	29" (4:3)	32" (16:9)
HP	Hor. Parallelogram	31	32	31	31	32	32	32
HB	Hor. Bow	31	32	31	31	32	32	32
HSH	Hor. Shift	35	27	35	35	27	27	27
EWW	East West Width	34	36	34	34	36	48	39
EWP	East West Parabola	33	20	33	33	20	20	20
UCP	Upper Corner Parabola	35	20	35	35	23	24	20
LCP	Lower Corner Parabola	35	25	35	35	25	28	25
EWT	East West Trapezium	35	28	35	35	28	28	28
VSL	Vert. Slope	33	37	33	33	37	37	37
VAM	Vert. Amplitude	26	30	26	26	30	39	30
VSC	Vert. S-correction	23	20	23	23	20	32	20
VSH	Vert. Shift	31	31	31	31	31	31	31
VX	Vert. Zoom	25	25	25	25	25	25	25
H60	Hor. Shift offset (60 Hz)	9	9	9	9	9	9	9
V60	Vert. Shift offset (60 Hz)	4	4	4	4	4	4	4

CL 16532008_054.pdf
220501

Figure 8-12

8.3.5 Audio



CL 16532008_055.pdf
220501

Figure 8-13

No alignments are needed for the audio sub menu. Use the given default values.

AT (Attack Time)

Default value is 8.

AF-M

Default value is 301.

A2T

Default value is 250.

QSS (Quasi Split Sound)

OFF for Intercarrier sets, ON for QSS sets.

FMI (Freq. Modulation Intercarrier)

OFF for QSS sets, ON for Intercarrier sets.

9. Circuit Description

Index of this chapter:

1. Introduction
2. Audio Signal Processing
3. Video Signal Processing
4. Synchronisation
5. Deflection
6. Power Supply
7. Control
8. Abbreviations

Notes:

- Figures can deviate slightly from the actual situation, due to different set executions.
- For a good understanding of the following circuit descriptions, please use the block diagram in chapter 6, or the electrical diagrams in chapter 7. Where necessary, you will find a separate drawing for clarification.

9.1 Introduction

The L01 chassis is a global TV chassis for the model year 2001 and is used for TV sets with screen sizes from 14" - 21" (small screen) to 21" - 32" (large screen).

The standard architecture consists of a Main panel, a Picture Tube panel, a Side I/O panel (not all executions) and a Top Control panel.

The Main panel consists primarily of conventional components with hardly any surface mounted devices.

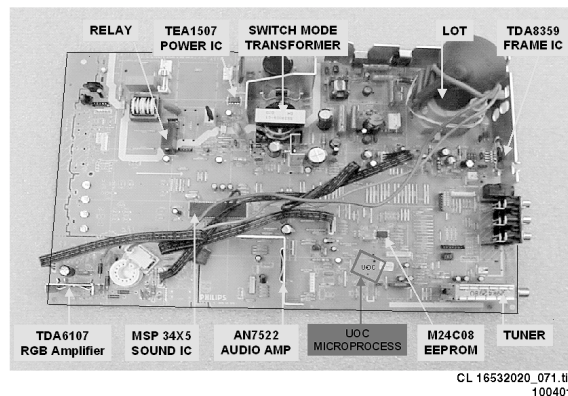


Figure 9-1

The functions for video processing, microprocessor (μP) and teletext (TXT) decoder are combined in one IC (TDA958xH), the so-called Ultimate One Chip (UOC). This chip is (surface) mounted on the copper side of the main panel.

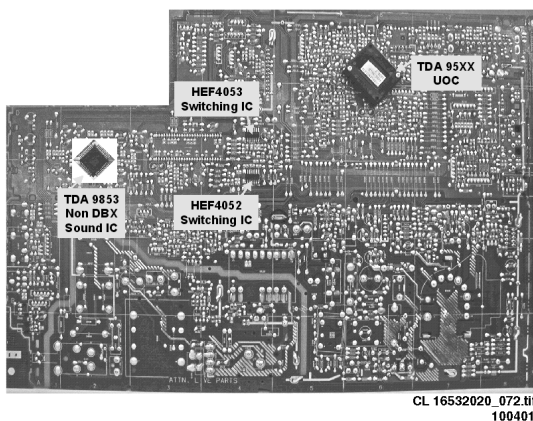


Figure 9-2

The L01 is divided into 2 basic systems, i.e. mono and stereo sound. While the audio processing for the mono sound is done in the audio block of the UOC, an external audio processing IC is used for stereo sets.

The tuning system features 100 video channels with on-screen display. The main tuning system uses a tuner, a microcomputer, and a memory IC mounted on the main panel. Also, in some type numbers, an FM radio is implemented with 40 pre-set channels.

The microcomputer communicates with the memory IC, the customer keyboard, remote receiver, tuner, signal processor IC and the audio output IC via the I²C bus. The memory IC retains the settings for favourite stations, customer-preferred settings, and service/factory data.

The on-screen graphics and closed caption decoding are done within the microprocessor, and then sent to the signal processor IC to be added to the main signal.

The chassis uses a Switching Mode Power Supply (SMPS) for the main voltage source. The chassis has a 'hot' ground reference on the primary side and a cold ground reference on the secondary side of the power supply and the rest of the chassis.

9.2 Audio Signal Processing

9.2.1 Stereo

In stereo sets, the signal goes via the SAW filter (position 1004 in case of QSS demodulation and 1003 in case of Inter-carrier demodulation), to the audio demodulator part of the UOC IC7200. The stereo audio output on pin 33 goes, via TS7206, to the stereo decoder 7831.

The switch inside the stereo decoder 7831 selects (via I²C) either the internal decoder or an external source.

The NICAM + 2CS AM/FM stereo decoder is an ITT MSP34X5. The output is fed to the audio amplifier (AN7522 at position 7901). The volume level is controlled at this IC (pin 9) by a control line (VolumeMute) from the microprocessor. The audio signal from 7901 is then sent to the speaker/headphone output panel.

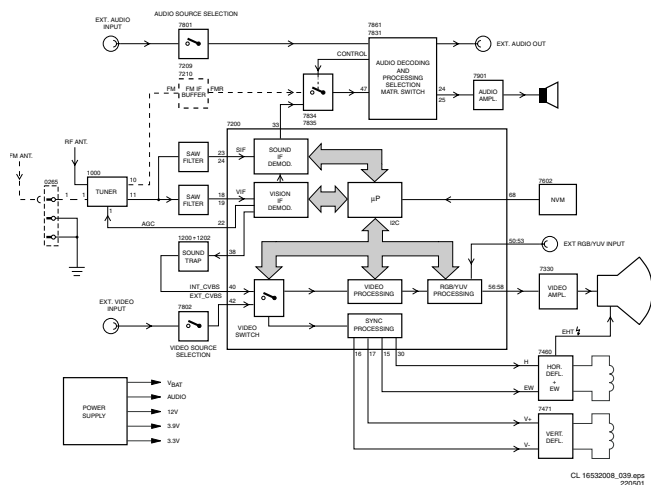


Figure 9-3

9.2.2 Mono

In mono sets, the signal goes via the SAW filter (position 1004 in case of QSS demodulation and 1003 in case of Inter-carrier demodulation), to the audio demodulator part of the UOC IC7200. The audio output on pin 48 goes directly, via buffer 7943, to the audio amplifier (AN7523 at position 7902).

The volume level is controlled at this IC (pin 9) by a 'VolumeMute' control line from the microprocessor.

The audio signal from IC7902 is then sent to the speaker/headphone output panel.

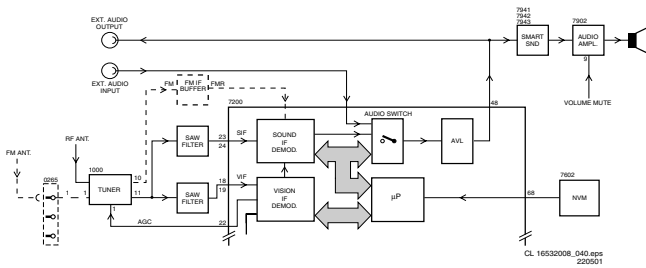


Figure 9-4 .eps

9.2.3 FM radio (if present)

The FM radio uses the 10.7 MHz concept. This SIF frequency is available at pin 10 of the tuner. Via a pre-amplifier (TS7209 and TS7210), the signal is fed for demodulation to either the UOC (for mono FM radio) or by the Micronas MSP34X5 (for stereo FM radio).

9.3 Video Signal Processing

9.3.1 Introduction

The video signal-processing path consists of the following parts:

- RF signal processing.
- Video source selection.
- Video demodulation.
- Luminance/Chrominance signal processing.
- RGB control.
- RGB amplifier

The processing circuits listed above are all integrated in the UOC TV processor. The surrounding components are for the adaptation of the selected application. The I²C bus is for defining and controlling the signals.

9.3.2 RF Signal Processing

The incoming RF signal goes to the tuner (pos. 1000), where the 38.9 MHz IF signal is developed and amplified. The IF signals then exit the tuner from pin 11 to pass through the SAW filter (position 1002 in case of QSS demodulation and 1003 in case of Inter-carrier demodulation). The shaped signal is then applied to the IF processor part of the UOC (pos. 7200). Tuner AGC (Automatic Gain Control) will reduce the tuner gain and thus the tuner output voltage when receiving strong RF signals. Adjust the AGC take-over point via the Service Alignment Mode (SAM). The tuner AGC starts working when the video-IF input reaches a certain input level and will adjust this level via the I²C bus. The tuner AGC signal goes to the tuner (pin 1) via the open collector output (pin 22) of the UOC. The IC also generates an Automatic Frequency Control (AFC) signal that goes to the tuning system via the I²C bus, to provide frequency correction when needed.

The demodulated composite video signal is available at pin 38 and then buffered by transistor 7201.

9.3.3 Video Source Selection

The Composite Video Blanking Signal (CVBS) from buffer 7201 goes to the audio carrier trap filters (1200 and 1201) to remove the audio signal. The signal then goes to pin 40 of IC7200. The internal input switch selects the following input signals:

- Pin 40: terrestrial CVBS input
- Pin 42: external AV1 CVBS input
- Pin 44: external Side I/O CVBS or AV2 Luminance (Y) input
- Pin 45: external AV2 Chrominance (C) input

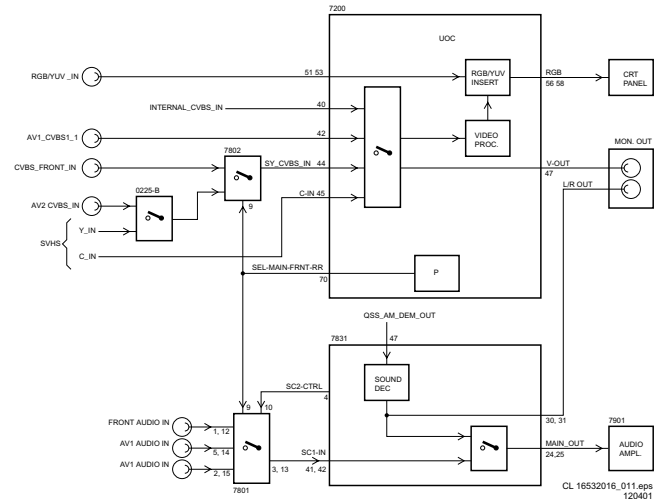


Figure 9-5

Once the signal source is selected, a chroma filter calibration is performed. The received colour burst sub-carrier frequency is used for this. Correspondingly, the chroma band pass filter for PAL processing or the cloche filter for SECAM processing is switched on. The selected luminance (Y) signal is supplied to the horizontal and vertical synchronisation processing circuit and to the luminance processing circuit. In the luminance-processing block, the luminance signal goes to the chroma trap filter. This trap is switched 'on' or 'off', depending on the colour burst detection of the chroma calibration circuit.

The group delay correction part can be switched between the BG and a flat group delay characteristic. This has the advantage that in multi-standard receivers no compromise has to be made for the choice of the SAW filter.

9.3.4 Video Demodulation

The colour decoder circuit detects whether the signal is a PAL, NTSC or SECAM signal. The result is made known to the auto system manager. The PAL/NTSC decoder has an internal clock generator, which is stabilised to the required frequency by using the 12 MHz clock signal from the reference oscillator of the microcontroller/teletext decoder.

The base-band delay line is used to obtain a good suppression of cross colour effects.

The Y signal and the delay line outputs U and V are applied to the luminance/chroma signal processing part of the TV processor.

9.3.5 Luminance/Chrominance Signal Processing

The output of the YUV separator is fed to the internal YUV switch, which switches between the output of the YUV separator or the external YUV (for DVD or PIP) on pins 51-53. Pin 50 is the input for the insertion control signal called 'FBL-1'. When this signal level becomes higher than 0.9 V (but less than 3 V), the RGB signals at pins 51, 52 and 53 are inserted into the picture by using the internal switches.

Also some picture improvement features are implemented in this part:

- **Black stretch** This function corrects the black level of incoming signals, which have a difference between the black level and the blanking level. The amount of extension depends upon the difference between actual black level and the darkest part of the incoming video signal level. It is detected by means of an internal capacitor.
- **White stretch** This function adapts the transfer characteristic of the luminance amplifier in a non-linear way depending on the average picture content of the luminance signal. It operates in such a way that maximum stretching is obtained when signals with a low video level are received. For bright pictures, stretching is not active.
- **Dynamic skin tone correction** This circuit corrects (instantaneously and locally) the hue of those colours which are located in the area in the UV plane that matches the skin tone. The correction is dependent on the luminance, saturation and distance to the preferred axis.

The YUV signal is then fed to the colour matrix circuit, which converts it to R, G and B signals.

The OSD/TXT signal from the microprocessor is mixed with the main signal at this point, before being output to the CRT board (pins 56, 57 and 58).

9.3.6 RGB Control

The RGB control circuit enables the picture parameters contrast, brightness and saturation to be adjusted, by using a combination of the user menus and the remote control. Additionally automatic gain control for the RGB signals via cut-off stabilisation is achieved in this functional block to obtain an accurate biasing of the picture tube. Therefore this block inserts the cut-off point measuring pulses into the RGB signals during the vertical retrace period.

The following additional controls are used:

- **Black current calibration loop** Because of the 2-point black current stabilisation circuit, both the black level and the amplitude of the RGB output signals depend on the drive characteristics of the picture tube. The system checks whether the returning measuring currents meet the requirements, and adapt the output level and gain of the circuit when necessary. After stabilisation of the loop, the RGB drive signals are switched on. The 2-point black level system adapts the drive voltage for each cathode in such a way that the two measuring currents have the right value. This is done with the measurement pulses during the frame flyback. During the first frame, three pulses with a current of 8 μA are generated to adjust the cut off voltage. During the second frame, three pulses with a current of 20 μA are generated to adjust the 'white drive'. This has as a consequence, that a change in the gain of the output stage will be compensated by a gain change of the RGB control circuit. Pin 55 (BLKIN) of the UOC is used as the feedback input from the CRT base panel.
- **Blue stretch** This function increases the colour temperature of the bright scenes (amplitudes which exceed a value of 80% of the nominal amplitude). This effect is obtained by decreasing the small signal gain of the red and green channel signals, which exceed this 80% level.
- **Beam current limiting** A beam current limiting circuit inside the UOC handles the contrast and brightness control for the RGB signals. This prevents the CRT from being overdriven, which could otherwise cause serious damage in the line output stage. The reference used for this purpose is the DC voltage on pin 54 (BLCIN) of the TV processor. Contrast and brightness reduction of the RGB output signals is therefore proportional to the voltage present on this pin. Contrast reduction starts when the voltage on pin 54 is lower than 2.8 V. Brightness reduction starts when the voltage on pin 54 is less than 1.7 V. The

voltage on pin 54 is normally 3.3 V (limiter not active). During set switch 'off', the black current control circuit generates a fixed beam current of 1 mA. This current ensures that the picture tube capacitance is discharged. During the switch-off period, the vertical deflection is placed in an over-scan position, so that the discharge is not visible on the screen.

9.3.7 RGB Amplifier

From outputs 56, 57 and 58 of IC7200, the RGB signals are applied to the integrated output amplifier (7330) on the CRT panel. Via the outputs 7, 8 and 9, the picture tube cathodes are driven.

The supply voltage for the amplifier is +200 V and is derived from the line output stage.

9.3.8 SCAVEM (if present)

The SCAN VElocity Modulation (SCAVEM) circuitry is implemented in the layout of the picture tube panel. It is thus not an extra module. This circuit influences the horizontal deflection as a function of the picture content. In an ideal square wave, the sides are limited in slope due to a limited bandwidth (5 MHz).

SCAVEM will improve the slope as follows:

At a positive slope, a SCAVEM current is generated which supports the deflection current. At the first half of the slope, the spot is accelerated and the picture is darker. At the second half of the slope, the spot is delayed and the slope becomes steeper.

At the end of the slope, the SCAVEM-current decays to zero and the spot is at the original position. An overshoot occurs which improves the impression of sharpness.

At the negative slope, the SCAVEM-current counteracts the deflection. During the first half of the slope, the spot is delayed and the slope becomes steeper. During the second half the spot accelerates, the SCAVEM-current is zero at the end of the slope.

Via the three resistors R3371, R3379 and R3386, Red, Green and Blue are added together, buffered and offered to the emitter of TS7363. On the collector of this transistor, configured in a common base, the sum of these 3 signals is obtained. Via the emitter follower formed with TS7360, this signal is conveyed to the differentiator C2376 and R3392. Only the high frequencies are differentiated (small RC-time).

The positive and negative pulses of this signal drive respectively TS7365 and TS7362 into conductivity. The DC setting of the output stage is set by R3363, R3374, R3378 and R3384. The working voltage of the transistors is settled at half the supply voltage.

At the positive section of the pulse, the current flows through TS7365 and the SCAVEM coil. At the negative section of the pulse, the current flows through TS7362 and the SCAVEM coil.

9.4 Synchronisation

Inside IC7200 (part D), the vertical and horizontal sync-pulses are separated. These 'H' and 'V' signals are synchronised with the incoming CVBS signal. They are then fed to the H- and V-drive circuits and to the OSD/TXT circuit for synchronisation of the On Screen Display and Teletext (or Closed Caption) information.

9.5 Deflection

9.5.1 Horizontal Drive

The horizontal drive signal is obtained from an internal VCO, which is running at twice the line frequency. This frequency is

divided by two, to lock the first control loop to the incoming signal.

When the IC is switched 'on', the 'Hdrive' signal is suppressed until the frequency is correct.

The 'Hdrive' signal is available at pin 30. The 'Hflybk' signal is fed to pin 31 to phase lock the horizontal oscillator, so that TS7462 cannot switch 'on' during the flyback time.

The 'EWdrive' signal for the E/W circuit (if present) is available on pin 15, where it drives transistor 7400 to make linearity corrections in the horizontal drive.

When the set is switched on, the '+8V' voltage goes to pin 9 of IC7200. The horizontal drive starts up in a soft start mode. It starts with a very short T_{ON} time of the horizontal output transistor. The T_{OFF} of the transistor is identical to the time in normal operation. The starting frequency during switch on is therefore about 2 times higher than the normal value. The 'on' time is slowly increased to the nominal value in 1175 ms. When the nominal value is reached, the PLL is closed in such a way that only very small phase corrections are necessary.

The 'EHTinformation' line on pin 11 is intended to be used as a 'X-ray' protection. When this protection is activated (when the voltage exceeds 6 V), the horizontal drive (pin 30) is switched 'off' immediately. If the 'H-drive' is stopped, pin 11 will become low again. Now the horizontal drive is again switched on via the slow start procedure.

The 'EHTinformation' line (Aquadag) is also fed back to the UOC IC7200 pin 54, to adjust the picture level in order to compensate for changes in the beam current.

The filament voltage is monitored for 'no' or 'excessive' voltage. This voltage is rectified by diode 6447 and fed to the emitter of transistor TS7443. If this voltage goes above 6.8 V, transistor TS7443 will conduct, making the 'EHT0' line 'high'. This will immediately switch off the horizontal drive (pin 30) via the slow stop procedure.

The horizontal drive signal exits IC7200 at pin 30 and goes to TS7462, the horizontal driver transistor. The signal is amplified and coupled to the base circuit of TS7460, the horizontal output transistor. This will drive the line output transformer (LOT) and associated circuit. The LOT provides the extra high voltage (EHT), the VG2 voltage and the focus and filament voltages for the CRT, while the line output circuit drives the horizontal deflection coil.

9.5.2 Vertical Drive

A divider circuit performs the vertical synchronisation. The vertical ramp generator needs an external resistor (R3245, pin 20) and capacitor (C2244, pin 21). A differential output is available at pins 16 and 17, which are DC-coupled with the vertical output stage.

To avoid damage of the picture tube when the vertical deflection fails, the 'V_GUARD' output is fed to the beam current limiting input. When a failure is detected, the RGB-outputs are blanked. When no vertical deflection output stage is connected, this guard circuit will also blank the output signals.

These 'V_DRIVE+' and 'V_DRIVE-' signals are applied to the input pins 1 and 2 of IC 7471 (full bridge vertical deflection amplifier). These are voltage driven differential inputs. As the driver device (IC 7200) delivers output currents, R3474 and R3475 convert them to voltage. The differential input voltage is compared with the voltage across measuring resistor R3471 that provides internal feedback information. The voltage across this measuring resistor is proportional to the output current, which is available at pins 4 and 7 where they drive the vertical deflection coil (connector 0222) in phase opposition. IC 7471 is supplied by +13 V. The vertical flyback voltage is determined by an external supply voltage at pin 6 (VlotAux+50V). This voltage is almost totally available as

flyback voltage across the coil, this being possible due to the absence of a coupling capacitor (which is not necessary, due to the 'bridge' configuration).

9.5.3 Deflection Corrections

The Linearity Correction

A constant voltage on the horizontal deflection coil should result in a sawtooth current. This however is not the case as the resistance of the coil is not negligible. In order to compensate for this resistance, a pre-magnetised coil L5457 is used. R3485 and C2459 ensure that L5457 does not excite, because of its own parasite capacitance. This L5457 is called the 'linearity coil'.

The Mannheim Effect

When clear white lines are displayed, the high-voltage circuit is heavily loaded. During the first half of the flyback, the high voltage capacitors are considerable charged. At that point in time, the deflection coil excites through C2465. This current peak, through the high-voltage capacitor, distorts the flyback pulse. This causes synchronisation errors, causing an oscillation under the white line.

During $t_3 - t_5$, C2490//2458 is charged via R3459. At the moment of the flyback, C2490//2458 is subjected to the negative voltage pulses of the parabola as a result of which D6465 and D6466 are conducting and C2490//2458 is switched in parallel with C2456//2457. This is the moment the high-voltage diodes are conducting. Now extra energy is available for excitation through C2465 and the line deflection. As a consequence, the flyback pulse is less distorted.

The S-Correction

Since the sides of the picture are further away from the point of deflection than from the centre, a linear sawtooth current would result in a non-linear image being scanned (the centre would be scanned slower than the sides). For the centre-horizontal line, the difference in relation of the distances is larger than those for the top and bottom lines. An S-shaped current will have to be superimposed onto the sawtooth current. This correction is called finger-length correction or S-correction.

C2456//2457 is relatively small, as a result of which the sawtooth current will generate a parabolic voltage with negative voltage peaks. Left and right, the voltage across the deflection coil decreases, and the deflection will slow down; in the centre, the voltage increases and deflection is faster. The larger the picture width, the higher the deflection current through C2456//2457. The current also results in a parabolic voltage across C2484//2469, resulting in the finger length correction proportionally increasing with the picture width. The east/west drive signal will ensure the largest picture width in the centre of the frame. Here the largest correction is applied.

East/West Correction

In the L01, there are three types of CRTs, namely the 100°, 110° and wide screen CRTs. The 100° CRT is raster-correction-free and does not need East/West correction. The 110° 4:3 CRT comes with East/West correction and East/West protection.

The wide screen TV sets have all the correction of the 110 4:3 CRT and also have additional picture format like the 4:3 format, 16:9, 14:9, 16:9 zoom, subtitle zoom and the Super-Wide picture format

A line, written at the upper- or lower side of the screen, will be larger at the screen centre when a fixed deflection current is used. Therefore, the amplitude of the deflection current must be increased when the spot approaches the centre of the screen. This is called the East/West or pincushion correction.

The 'Ewdrive' signal from pin 15 of IC7200 takes care for the correct correction. It drives FET TS7400. It also corrects breathing of the picture, due to beam current variations (the

EHT varies dependent of the beam current). This correction is derived from the 'EHTinformation' line.

Two protections are built-in for the E/W circuit: over-current and over-voltage protection. See paragraph Power Supply.

Panorama

The panorama function is only used in 16:9 sets. This is a function to enable the 4:3 and Super-Wide feature. It drives the 'Bass_panorama' line, to activate relay 1400. When this relay is switched on, the capacitors 2453//2454 are added in parallel to the default S-correction capacitors 2456//2457. This results in an increased capacitance, a lower resonance frequency of the line deflection coil and the S-correction capacitors and therefore a less steep S-corrected line deflection current.

9.5.4 Rotation (only present in widescreen sets)

To cope with the different earth magnetism situations in the world, a rotation coil is added in widescreen sets. This coil is controlled by the rotation circuitry (see diagram A15). The amount of frame rotation is user controlled via the PWM output (pin 77) of the UOC. With the tilt setting at '-10', the PWM duty cycle is 0.1 (leftmost tuning). With the setting at '+10', the duty cycle is 0.9 (rightmost tuning). The output of amplifier IC7171 is a DC-voltage in the range from 0 (user setting = -10), via 6 V (user setting = 0) to 12 V (user setting = +10).

9.6 Power Supply

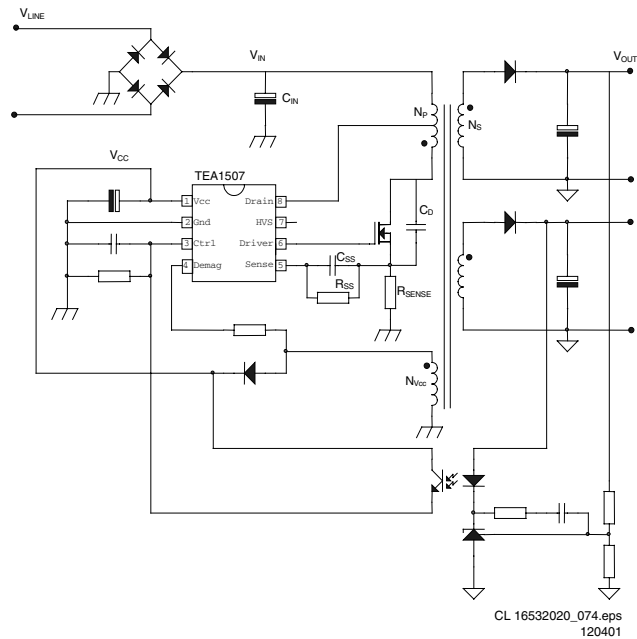


Figure 9-6

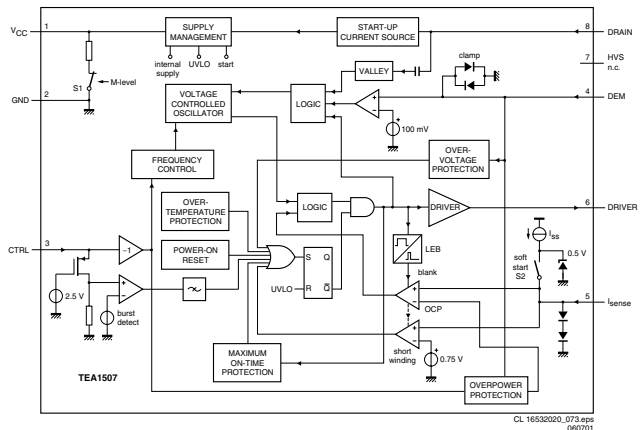


Figure 9-7

9.6.1 Introduction

The supply is a Switching Mode Power Supply (SMPS). The frequency of operation varies with the circuit load. This 'Quasi-Resonant Flyback' behaviour has some important benefits compared to a 'hard switching' fixed frequency Flyback converter. The efficiency can be improved up to 90%, which results in lower power consumption. Moreover the supply runs cooler and safety is enhanced.

The power supply starts operating when a DC voltage goes from the rectifier bridge via T5520, R3532 to pin 8. The operating voltage for the driver circuit is also taken from the 'hot' side of this transformer.

The switching regulator IC7520 starts switching the FET 'on' and 'off', to control the current flow through the primary winding of transformer 5520. The energy stored in the primary winding during the 'on' time is delivered to the secondary windings during the 'off' time.

The 'MainSupply' line is the reference voltage for the power supply. It is sampled by resistors 3543 and 3544 and fed to the input of the regulator 7540/6540. This regulator drives the feedback optocoupler 7515 to set the feedback control voltage on pin 3 of 7520.

The power supply in the set is 'on' any time AC power goes to the set.

Derived Voltages

The voltages supplied by the secondary windings of T5520 are:

- 'MainAux' for the audio circuit (voltage depends on set execution, see table below),
- 3.3 V and 3.9 V for the microprocessor and
- 'MainSupply' for the horizontal output (voltage depends on set execution, see table below).

Other supply voltages are provided by the LOT. It supplies +50 V (only for large screen sets), +13 V, +8 V, +5 V and a +200 V source for the video drive. The secondary voltages of the LOT are monitored by the 'EHTinformation' lines. These lines are fed to the video processor part of the UOC IC7200 on pins 11 and 34.

This circuit will shut 'off' the horizontal drive in case of over-voltage or excessive beam current.

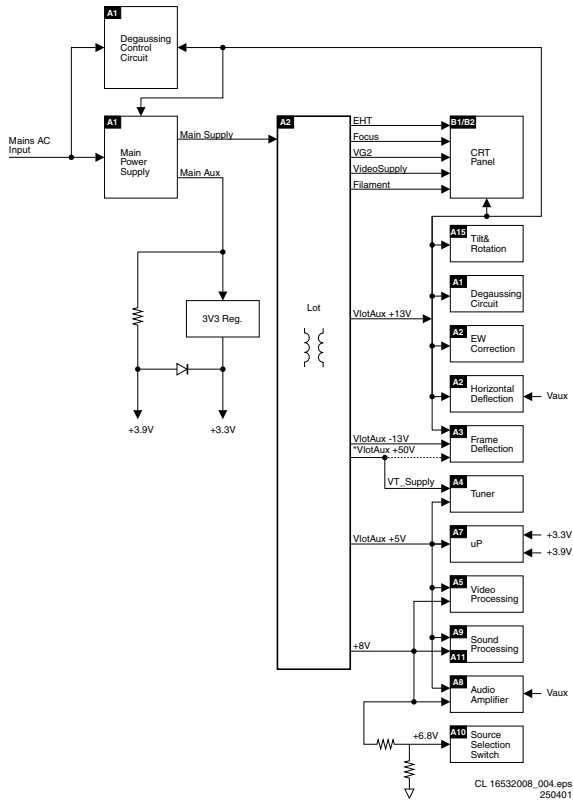


Figure 9-8

Power supply voltages L01				
Screen Size	Voltage name	Meas. point	Value	Remark
14", 17", 20", 21"	MainSupply	P6 (C2561)	95 V	Stereo 2x3 W and Mono 1x2 W, 3 W, 4 W
	MainAux	P5 (C2564)	11 V	
All others	MainSupply	P6 (C2561)	10 V	Stereo 2x1 W and Mono 1x1 W
			130 V	21/25/29RF and 25/27/32/35V
	MainAux	P5 (C2564)	143 V	25/28/29SF, 25/28BLD, 25/28BLS, 28/32WS, 24/28BLDWS & BLSWS
			12 V	Stereo 2x1 W, 3 W, 5 W
			10 V	Mono 1x1 W

CL 16532008_063.pdf 230501

Figure 9-9

Degaussing

When the set is switched on, the degaussing relay 1515 is immediately activated as transistor 7580 is conducting. Due to the RC-time of R3580 and C2580, it will last about 3 to 4 seconds before transistor 7580 is switched off.

9.6.2 Basic IC Functionality

For a clear understanding of the Quasi-Resonant behaviour, it is possible to explain it by a simplified circuit diagram (see Figure below). In this circuit diagram, the secondary side is transferred to the primary side and the transformer is replaced by an inductance L_P . C_D is the total drain capacitance including the resonance capacitor C_R , parasitic output capacitor C_{OSS} of the MOSFET and the winding capacitance C_W of the transformer. The turns ratio of the transformer is represented by n (N_P/N_S).

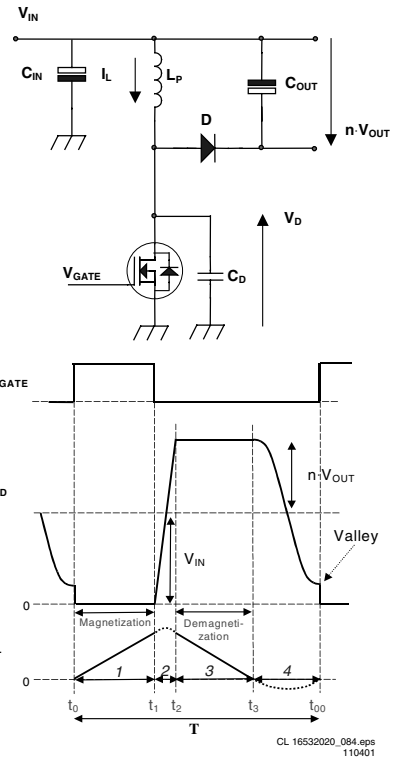


Figure 9-10

In the Quasi-Resonant mode each period can be divided into four different time intervals, in chronological order:

- Interval 1: $t_0 < t < t_1$ primary stroke At the beginning of the first interval, the MOSFET is switched 'on' and energy is stored in the primary inductance (magnetisation). At the end, the MOSFET is switched 'off' and the second interval starts.
- Interval 2: $t_1 < t < t_2$ commutation time In the second interval, the drain voltage will rise from almost zero to $V_{IN} + n \cdot (V_{OUT} + V_F)$. V_F is the forward voltage drop of the diode that will be omitted from the equations from now on. The current will change its positive derivative, corresponding to V_{IN}/L_P , to a negative derivative, corresponding to $-n \cdot V_{OUT}/L_P$.
- Interval 3: $t_2 < t < t_3$ secondary stroke In the third interval, the stored energy is transferred to the output, so the diode starts to conduct and the inductive current I_L will decrease. In other words, the transformer will be demagnetised. When the inductive current has become zero the next interval begins.
- Interval 4: $t_3 < t < t_{00}$ resonance time In the fourth interval, the energy stored in the drain capacitor C_D will start to resonate with the inductance L_P . The voltage and current waveforms are sinusoidal waveforms. The drain voltage will drop from $V_{IN} + n \cdot V_{OUT}$ to $V_{IN} - n \cdot V_{OUT}$.

Frequency Behaviour

The frequency in the QR-mode is determined by the power stage and is not influenced by the controller (important parameters are L_P and C_D). The frequency varies with the input voltage V_{IN} and the output power P_{OUT} . If the required output power increases, more energy has to be stored in the transformer. This leads to longer magnetising t_{PRIM} and demagnetising t_{SEC} times, which will decrease the frequency. See the frequency versus output power characteristics below. The frequency characteristic is not only output power-, but also input voltage dependent. The higher the input voltage, the smaller t_{PRIM} , so the higher the frequency will be.

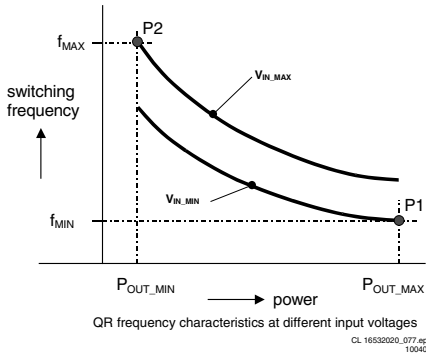
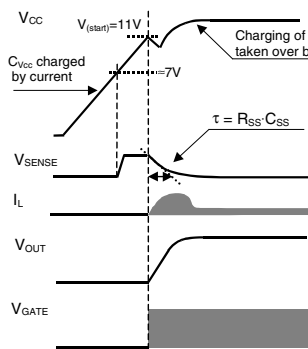
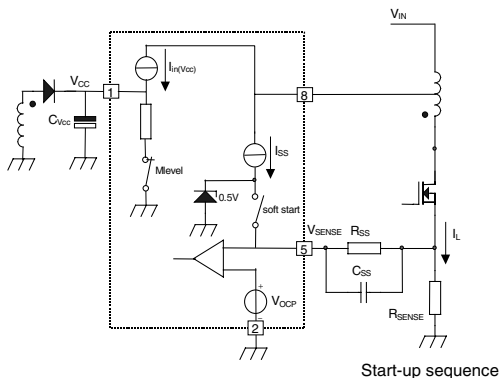


Figure 9-11

Point P1 is the minimum frequency f_{MIN} that occurs at the specified minimum input voltage and maximum output power required by the application. Of course the minimum frequency has to be chosen above the audible limit (>20 kHz).

Start-up Sequence

When the rectified AC voltage V_{IN} (via the centre tap connected to pin 8) reaches the Mains dependent operation level (Mlevel: between 60 and 100 V), the internal 'Mlevel switch' will be opened and the start-up current source is enabled to charge capacitor C_{2521} at the V_{CC} pin as shown below. The 'soft start' switch is closed when the V_{CC} reaches a level of 7 V and the 'soft start' capacitor C_{SS} (C_{2522} , between pin 5 and the sense resistor R_{3526}), is charged to 0.5 V. Once the V_{CC} capacitor is charged to the start-up voltage $V_{CC, start}$ (11 V), the IC starts driving the MOSFET. Both internal current sources are switched 'off' after reaching this start-up voltage. Resistor R_{SS} (3524) will discharge the 'soft start' capacitor, such that the peak current will slowly increase. This to prevent 'transformer rattle'. During start-up, the V_{CC} capacitor will be discharged until the moment that the primary auxiliary winding takes over this voltage.



CL 16532020_078.eps 110401

Figure 9-12

The moment that the voltage on pin 1 drops below the 'under voltage lock out' level ($UVLO = \pm 9 V$), the IC will stop switching and will enter a safe restart from the rectified mains voltage.

Operation

The supply can run in three different modes depending on the output power:

- Quasi-Resonant mode (QR) The QR mode, described above, is used during normal operation. This will give a high efficiency.
- Frequency Reduction mode (FR) The FR mode (also called VCO mode) is implemented to decrease the switching losses at low output loads. In this way the efficiency at low output powers is increased, which enables power consumption smaller than 3 W during stand-by. The voltage at the pin 3 (Ctrl) determines where the frequency reduction starts. An external Ctrl voltage of 1.425 V corresponds with an internal VCO level of 75 mV. This fixed VCO level is called $V_{VCO, start}$. The frequency will be reduced in relation to the VCO voltage between 75 mV and 50 mV (at levels larger than 75 mV, Ctrl voltage < 1.425V, the oscillator will run on maximum frequency $f_{oscH} = 175$ kHz typically). At 50 mV ($V_{VCO, max}$) the frequency is reduced to the minimum level of 6 kHz. Valley switching is still active in this mode.
- Minimum Frequency mode (MinF) At VCO levels below 50 mV, the minimum frequency will remain on 6 kHz, which is called the MinF mode. Because of this low frequency, it is possible to run at very low loads without having any output regulation problems.

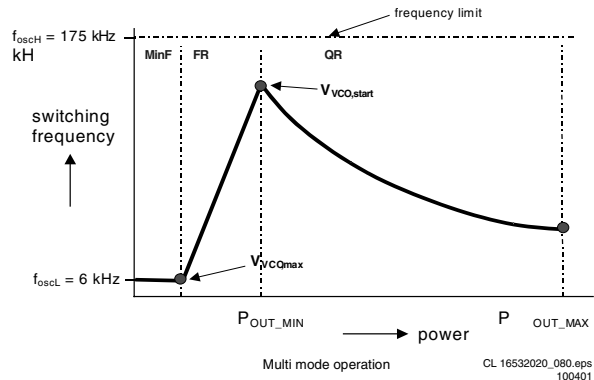


Figure 9-13

Safe-Restart Mode

This mode is introduced to prevent the components from being destroyed during eventual system fault conditions. It is also used for the Burst mode. The Safe-Restart mode will be entered if it is triggered by one of the following functions:

- Over voltage protection,
- Short winding protection,
- Maximum 'on time' protection,
- V_{CC} reaching UVLO level (fold back during overload),
- Detecting a pulse for Burst mode,
- Over temperature protection.

When entering the Safe-Restart mode, the output driver is immediately disabled and latched. The V_{CC} winding will not charge the V_{CC} capacitor anymore and the V_{CC} voltage will drop until UVLO is reached. To recharge the V_{CC} capacitor, the internal current source ($I_{(restart)(VCC)}$) will be switched 'on' to initiate a new start-up sequence as described before. This Safe-Restart mode will persist until the controller detects no faults or burst triggers.

Standby

The set goes to Standby in the following cases:

- After pressing the 'standby' key on the remote control.
- When the set is in protection mode.

In Standby, the power supply works in 'burst mode'. Burst mode can be used to reduce the power consumption below 1 W at stand-by. During this mode, the controller is active (generating gate pulses) for only a short time and for a longer time inactive waiting for the next burst cycle. In the active period the energy is transferred to the secondary and stored in the buffer capacitor C_{STAB} in front of the linear stabiliser (see Figure below). During the inactive period, the load (e.g. microprocessor) discharges this capacitor. In this mode, the controller makes use of the Safe-Restart mode.

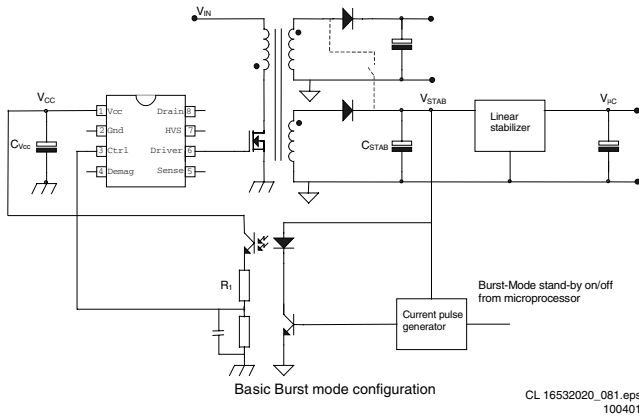


Figure 9-14

The system enters burst mode standby when the microprocessor activates the 'Stdby_con' line. When this line is pulled high, the base of TS7541 is allowed to go high. This is triggered by the current from collector TS7542. When TS7541 turns 'on', the opto-coupler (7515) is activated, sending a large current signal to pin 3 (Ctrl). In response to this signal, the IC stops switching and enters a 'hiccup' mode. This burst activation signal should be present for longer than the 'burst blank' period (typically 30 μ s): the blanking time prevents false burst triggering due to spikes.

Burst mode standby operation continues until the microcontroller pulls the 'Stdby_con' signal low again. The base of TS7541 is unable to go high, thus cannot turn 'on'. This will disable the burst mode. The system then enters the start-up sequence and begins normal switching behaviour.

For a more detailed description of one burst cycle, three time intervals are defined:

- **t1:** Discharge of V_{CC} when gate drive is active During the first interval, energy is transferred, which result in a ramp-up of the output voltage (V_{STAB}) in front of the stabiliser. When enough energy is stored in the capacitor, the IC will be switched 'off' by a current pulse generated at the secondary side. This pulse is transferred to the primary side via the opto coupler. The controller will disable the output driver (safe restart mode) when the current pulse reaches a threshold level of 16 mA into the Ctrl pin. A resistor R_1 (R3519) is placed in series with the opto coupler, to limit the current going into the Ctrl pin. Meanwhile the V_{CC} capacitor is discharged but has to stay above V_{UVLO} .
- **t2:** Discharge of V_{CC} when gate drive is inactive During the second interval, the V_{CC} is discharged to V_{UVLO} . The output voltage will decrease depending on the load.
- **t3:** Charge of V_{CC} when gate drive is inactive The third interval starts when the UVLO is reached. The internal current source charges the V_{CC} capacitor (also the soft start capacitor is recharged). Once the V_{CC} capacitor is charged to the start-up voltage, the driver is activated and a new burst cycle is started.

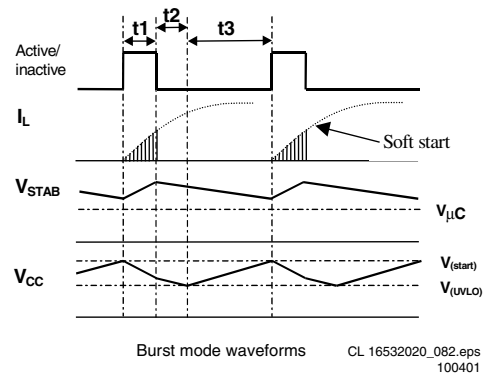


Figure 9-15

9.6.3 Protection Events

The SMPS IC7520 has the following protection features:

Demagnetisation sense

This feature guarantees discontinuous conduction mode operation in every situation. The oscillator will not start a new primary stroke until the secondary stroke has ended. This is to ensure that FET 7521 will not turn on until the demagnetisation of transformer 5520 is completed. The function is an additional protection feature against:

- saturation of the transformer,
- damage of the components during initial start-up,
- an overload of the output.

The demag(netisation) sense is realised by an internal circuit that guards the voltage (V_{demag}) at pin 4 that is connected to V_{CC} winding by resistor R_1 (R3522). The Figure below shows the circuit and the idealised waveforms across this winding.

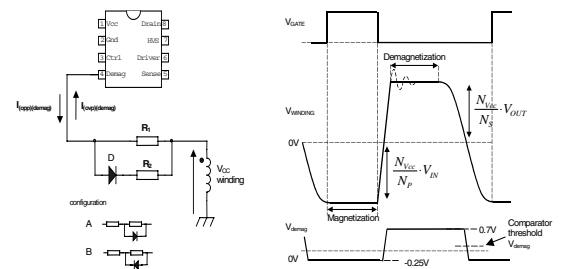


Figure 9-16

Over Voltage Protection

The Over Voltage Protection ensures that the output voltage will remain below an adjustable level. This works by sensing the auxiliary voltage via the current flowing into pin 4 (DEM) during the secondary stroke. This voltage is a well-defined replica of the output voltage. Any voltage spikes are averaged by an internal filter.

If the output voltage exceeds the OVP trip level, the OVP circuit switches the power MOSFET 'off'.

Next, the controller waits until the 'under voltage lock out' level ($UVLO = \pm 9$ V) is reached on pin 1 (V_{CC}). This is followed by a safe restart cycle, after which switching starts again. This process is repeated as long as the OVP condition exists. The output voltage, at which the OVP function trips, is set by the demagnetisation resistor R3522.

Over Current Protection

The internal OCP protection circuit limits the 'sense' voltage on pin 5 to an internal level.

Over Power Protection

During the primary stroke, the rectified AC input voltage is measured by sensing the current drawn from pin 4 (DEM). This current is dependent on the voltage on pin 9 of transformer 5520 and the value of R3522. The current information is used to adjust the peak drain current, which is measured via pin I_{SENSE}.

Short Winding Protection

If the 'sense' voltage on pin 5 exceeds the short winding protection voltage (0.75 V), the converter will stop switching. Once V_{CC} drops below the UVLO level, capacitor C2521 will be recharged and the supply will start again. This cycle will be repeated until the short circuit is removed (safe restart mode). The short winding protection will also protect in case of a secondary diode short circuit.

This protection circuit is activated after the leading edge blanking time (LEB).

LEB time

The LEB (Leading Edge Blanking) time is an internally fixed delay, preventing false triggering of the comparator due to current spikes. This delay determines the minimum 'on' time of the controller.

Over Temperature protection

When the junction temperature exceeds the thermal shutdown temperature (typ. 140° C), the IC will disable the driver. When the V_{CC} voltage drops to UVLO, the V_{CC} capacitor will be recharged to the V_(start) level. If the temperature is still too high, the V_{CC} voltage will drop again to the UVLO level (Safe-Restart mode). This mode will persist until the junction temperature drops 8 degrees typically below the shutdown temperature.

Mains dependent operation enabling level

To prevent the supply from starting at a low input voltage, which could cause audible noise, a mains detection is implemented (Mlevel). This detection is provided via pin 8, that detects the minimum start-up voltage between 60 and 100 V. As previous mentioned, the controller is enabled between 60 and 100 V. An additional advantage of this function is the protection against a disconnected buffer capacitor (C_{IN}). In this case, the supply will not be able to start-up because the V_{CC} capacitor will not be charged to the start-up voltage.

9.7 Control

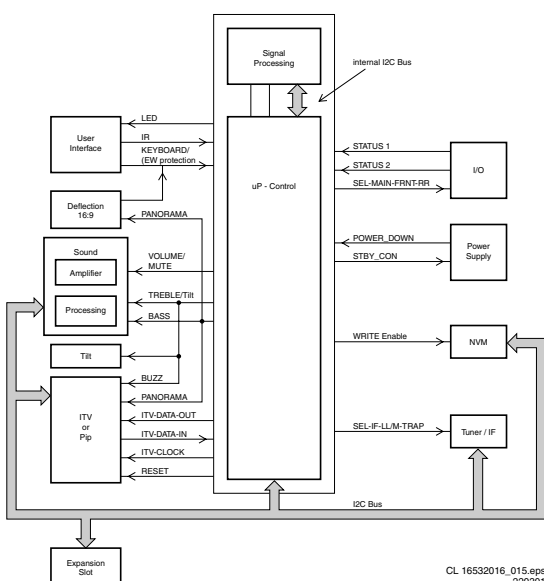


Figure 9-17

9.7.1 Introduction

The microprocessor part of the UOC has the complete control and teletext on board. User menu, Service Default Mode, Service Alignment Mode and Customer Service Mode are generated by the μ P. Communication to other ICs is done via the I²C-bus.

9.7.2 I²C-Bus

The main control system, which consists of the microprocessor part of the UOC (7200), is linked to the external devices (tuner, NVM, MSP, etc) by means of the I²C-bus. An internal I²C-bus is used to control other signal processing functions, like video processing, sound IF, vision IF, synchronisation, etc.

9.7.3 User Interface

There are two control signals, called 'KEYBOARD_protn' and 'IR'. Users can interact either through the Remote Control transmitter, or by activation of the appropriate keyboard buttons.

The L01 uses a remote control with RC5 protocol. The incoming signal is connected to pin 67 of the UOC.

The 'Top Control' keyboard, connected to UOC pin 80, can also control the set. Button recognition is done via a voltage divider. The 'KEYBOARD_protn' line, also serves to detect faults in the E/W circuit, which would require the μ P to shut down the set (by forcing the power supply in standby mode).

The front LED (6691) is connected to an output control line of the microprocessor (pin 5). It is activated to provide the user information about whether or not the set is working correctly (e.g., responding to the remote control or fault condition)

9.7.4 Sound Interface

There are three control signals, called 'Volume_Mute', 'Treble_Buzzer_Hosp_app' and 'Bass_panorama'. The 'Volume_Mute' line controls the sound level output of the audio amplifier or to mute it in case of no video identification or from user command. This line also controls the volume level during set switch 'on' and 'off' (to prevent audio pop).

The 'Treble' and 'Bass' lines have another functionality:

- The 'Bass_panorama' line is used to switch the panorama mode in widescreen sets (to fit 4:3 pictures into a 16:9 display, it is possible to apply a panoramic horizontal distortion, to make a screen-fitting picture without black sidebars or lost video).
- The 'Treble_Buzzer_Hosp_app' is used in ITV applications for other features, and in widescreen sets to enable the 'Tilt' feature (via R3172 on diagram A8) in the deflection part.

9.7.5 In- and Output Selection

For the control of the input and output selections, there are three lines:

- **STATUS1** This signal provides information to the microprocessor on whether a video signal is available on the SCART1 AV input and output port.
 - 0 to 2 V: INTERNAL 4:3
 - 4.5 to 7 V: EXTERNAL 16:9
 - 9.5 to 12 V: EXTERNAL 4:3
- **STATUS2** This signal provides information to the microprocessor on whether a video signal is available on the SCART2 AV input and output port (signal is low). For sets with an SVHS input, it provides the additional information if a Y/C or CVBS source is present (signal is high). The presence of an external Y/C source makes this line 'high' while a CVBS source makes the line 'low'.
 - 0 to 2 V: INTERNAL 4:3
 - 4.5 to 7 V: EXTERNAL 16:9

- 9.5 to 12 V: EXTERNAL 4:3
- **SEL-MAIN-FRNT-RR** This is the 'source select control' signal from the microprocessor. This control line is under user control or can be activated by the other two control lines.

9.7.6 Power Supply Control

The microprocessor part is supplied with 3.3 V and 3.9 V both derived from the 'MainAux' voltage via a 3V3 stabiliser (7560) and a diode.

Two signals are used to control the power supply:

- **Stdbby_con** This signal is generated by the microprocessor when over-current takes place at the 'MainAux' line. This is done to enable the power supply into standby burst mode, and to enable this mode during a protection. This signal is 'low' under normal operation conditions and goes to 'high' (3.3 V) under 'standby' and 'fault' conditions.
- **POWER_DOWN** This signal is generated by the power supply. Under normal operating conditions this signal is 'high' (3.3 V). During 'standby' mode, this signal is a pulse train of approx. 10 Hz and a 'high' duration of 5 ms. It is used to give information to the UOC about the fault condition in the Audio amplifier supply circuit. This information is generated by sensing the current on the 'MainAux' line (using voltage drop across R3564 to trigger TS7562). This signal goes 'low' when the DC-current on the 'MainAux' line exceeds 1.6 - 2.0 A. It is also used to give an early warning to the UOC about a power failure. Then the information is used to mute the sound amplifier to prevent a switch off noise and to solve the switch-off spot.

9.7.7 Tuner IF

Pin 3 of the UOC (SEL-IF-LL'_M-TRAP), is an output pin to switch the SAW-filter to the appropriate system.

- If UOC pin 3 is 'low', the selected system is:
 - West Europe: PAL B/G, I, SECAM L/L'
 - East Europe: PAL B/G
 - Asia Pacific: NTSC M
- If UOC pin 3 is 'high', the selected system is:
 - West Europe: SECAM L', L'-NICAM
 - East Europe: PAL D/K
 - Asia Pacific: PAL B/G, D/K, I

Note: For West Europe, two separate SAW filters (1002 and 1004) are used for video and audio (Quasi Split Sound demodulation). For East Europe, one SAW filter (1003) is used for both (Intercarrier demodulation).

9.7.8 Protection Events

Several protection events are controlled by the UOC:

- **BC protection**, to protect the picture tube from a too high beam current. The UOC has the capability of measuring the normal back level current during the vertical flyback. So if for some reason the CRT circuit is malfunctioning (i.e. high beam current), the normal black current will be out of the 75 μ A range, and the UOC will trigger the power supply to shut down. However, this is a high beam-current situation, the TV screen will be bright white before the set is shut down.
- **I2C protection**, to check whether all I²C IC's are functioning.

In case one of these protections is activated, the set will go into 'standby'. The 'on' and 'standby' LEDs are controlled via the UOC.

9.8 Abbreviation list

2CS	2 Carrier (or Channel) Stereo
ACI	Automatic Channel Installation: algorithm that installs TV sets directly from cable network by means of a predefined TXT page
ADC	Analogue to Digital Converter
AFC	Automatic Frequency Control: control signal used to tune to the correct frequency
AFT	Automatic Fine Tuning
AGC	Automatic Gain Control: algorithm that controls the video input of the featurebox
AM	Amplitude Modulation
AP	Asia Pacific
AR	Aspect Ratio: 4 by 3 or 16 by 9
ATS	Automatic Tuning System
AV	External Audio Video
AVL	Automatic Volume Level
BC-PROT	Beam Current Protection
BCL	Beam Current Limitation
B/G	Monochrome TV system. Sound carrier distance is 5.5 MHz
BLC-INFORMATION	Black current information
BTSC	Broadcast Television Standard Committee. Multiplex FM stereo sound system, originating from the USA and used e.g. in LATAM and AP-NTSC countries
B-TXT	Blue teletext
CC	Closed Caption
ComPair	Computer aided rePair
CRT	Cathode Ray Tube or picture tube
CSM	Customer Service Mode
CTI	Colour Transient Improvement: manipulates steepness of chroma transients
CVBS	Composite Video Blanking and Synchronisation
DAC	Digital to Analogue Converter
DBE	Dynamic Bass Enhancement: extra low frequency amplification
DBX	Dynamic Bass Expander
D/K	Monochrome TV system. Sound carrier distance is 6.5 MHz
DFU	Direction For Use: description for the end user
DNR	Dynamic Noise Reduction
DSP	Digital Signal Processing
DST	Dealer Service Tool: special remote control designed for dealers to enter e.g. service mode
DVD	Digital Versatile Disc
EEPROM	Electrically Erasable and Programmable Read Only Memory
EHT	Extra High Tension
EHT-INFORMATION	Extra High Tension information
EU	Europe
EW	East West, related to horizontal deflection of the set
EXT	External (source), entering the set via SCART or Cinch
FBL	Fast Blanking: DC signal accompanying RGB signals
FILAMENT	Filament of CRT
FLASH	Flash memory
FM	Field Memory
FM	Frequency Modulation
HA	Horizontal Acquisition: horizontal sync pulse coming out of the HIP

HFB	Horizontal Flyback Pulse: horizontal sync pulse from large signal deflection	SCL	Serial Clock
HP	Headphone	SDA	Serial Data
Hue	Colour phase control for NTSC (not the same as 'Tint')	SDM	Service Default Mode
I	Monochrome TV system. Sound carrier distance is 6.0 MHz	SECAM	SEquence Couleur Avec Memoire. Colour system mainly used in France and East Europe. Colour carriers = 4.406250 MHz and 4.250000 MHz
I2C	Integrated IC bus	SIF	Sound Intermediate Frequency
IF	Intermediate Frequency	SS	Small Screen
IIC	Integrated IC bus	STBY	Standby
Interlaced	Scan mode where two fields are used to form one frame. Each field contains half the number of the total amount of lines. The fields are written in "pairs", causing line flicker.	SVHS	Super Video Home System
ITV	Institutional TV	SW	Software
LATAM	Latin America	THD	Total Harmonic Distortion
LED	Light Emitting Diode	TXT	Teletext
L/L'	Monochrome TV system. Sound carrier distance is 6.5 MHz. L' is Band I, L is all bands except for Band I	μP	Microprocessor
LNA	Low Noise Amplifier	UOC	Ultimate One Chip
LS	Large Screen	VA	Vertical Acquisition
LS	Loudspeaker	VBAT	Main supply voltage for the deflection stage (mostly 141 V)
LSP	Large signal panel	V-chip	Violence Chip
M/N	Monochrome TV system. Sound carrier distance is 4.5 MHz	VCR	Video Cassette Recorder
MSP	Multistandard Sound Processor: ITT sound decoder	WYSIWYR	What You See Is What You Record: record selection that follows main picture and sound
MUTE	Mute-Line	XTAL	Quartz crystal
NC	Not Connected	YC	Luminance (Y) and Chrominance (C) signal
NICAM	Near Instantaneous Compounded Audio Multiplexing. This is a digital sound system, mainly used in Europe.		
NTSC	National Television Standard Committee. Colour system mainly used in North America and Japan. Colour carrier NTSC M/N = 3.579545 MHz, NTSC 4.43 = 4.433619 MHz (this is a VCR norm, it is not transmitted off-air)		
NVM	Non Volatile Memory: IC containing TV related data e.g. alignments		
OB	Option Byte		
OC	Open Circuit		
OSD	On Screen Display		
PAL	Phase Alternating Line. Colour system mainly used in West Europe (colour carrier = 4.433619 MHz) and South America (colour carrier PAL M = 3.575612 MHz and PAL N = 3.582056 MHz)		
PCB	Printed Circuit board		
PIP	Picture In Picture		
PLL	Phase Locked Loop. Used for e.g. FST tuning systems. The customer can give directly the desired frequency		
POR	Power-On Reset		
Progressive Scan	Scan mode where all scan lines are displayed in one frame at the same time, creating a double vertical resolution.		
PTP	Picture Tube Panel (or CRT-panel)		
RAM	Random Access Memory		
RC	Remote Control handset		
RC5	Remote Control system 5, signal from the remote control receiver		
RGB	Red Green Blue		
ROM	Read Only Memory		
SAM	Service Alignment Mode		
SAP	Second Audio Program		
SC	Sandcastle: pulse derived from sync signals		
S/C	Short Circuit		
SCAVEM	Scan Velocity Modulation		

10. Spare Parts List

Mono Carrier [A] and CRT Panel [B]

Various

0127	4822 265 11253	Fuse holder
0129	3139 120 10151	NTC holder
0136	4822 492 70788	IC fix
0137	4822 492 70289	IC fix
0138	4822 492 70788	IC fix
0139	3122 121 24785	Spring for bracket
0140	4822 492 70289	IC fix
0141	4822 492 70788	IC fix
0150	3139 131 00761	Cable 2p 560mm
0151	3104 311 02821	Cable 2p 560mm
0152	3104 301 09421	Cable 6p 400mm
0152	3104 311 04431	Cable 6p 480mm
0153	3104 311 04381	Cable 5p 560mm
0159	3104 311 02931	Cable 3p 400mm
0180	3104 311 03312	Cable 6p 680mm
0180	3139 131 01801	Cable 6p 680mm
0186	3104 311 02971	Cable 5p 560mm
0211	4822 265 20723	2p
0211	2422 025 16374	2p male
0212	4822 267 10774	2p male (red)
0214	4822 267 10734	5p
0219	2422 025 15849	6p male
0220	4822 265 30735	5p
0221	4822 267 10966	2p
0222	2422 025 10646	2p male
0224	4822 267 10982	2p
0231	2422 128 02972	Power switch
0235	4822 267 10771	42p female
0235	2422 025 16745	Scart 42p female
0239	2422 025 16382	3p male
0242	3139 131 00941	Cable 3p 560mm
0243	2422 025 04854	6p female
0244	4822 265 30735	5p
0245	2422 025 04854	6p female
0246	4822 267 10734	5p
0254	2422 500 80053	CRT 9p female
0254	2422 500 80076	CRT 9p female
0265	4822 267 10748	3p
0267	2422 025 16382	3p male
0268	4822 267 10735	3p
0278	4822 267 10735	3p
0278	2422 025 16382	3p male
0291	4822 267 10565	4p
1000	3139 147 17401	Tuner UR1316R/A I -3
1002	4822 242 81436	OFWK3953M
1004	2422 549 44341	Saw filter 38.9MHz OFWK9656M
1200	4822 242 81712	TPWA0A12B
1400	2422 132 07543	Relay 5A 12V LKS1AF-H10
1500	2422 086 10914	Fuse 4A 250V
1515	2422 132 07467	Relay 1p 12V 5A LKS1AF
1660	2422 543 01203	Crystal 12.00MHz
1831	4822 242 10769	18.432MHz

-II-

2001	5322 122 32658	22pF 5% 50V
2002	5322 122 32658	22pF 5% 50V
2003	4822 122 33177	10nF 20% 50V
2004	4822 126 13751	47nF 10% 63V
2005	4822 124 40248	10µF 20% 63V
2006	4822 124 80791	470µF 20% 16V
2007	4822 126 14585	100nF 10% 50V
2008	4822 124 40207	100µF 20% 25V
2009	5322 122 32654	22nF 10% 63V
2010	5322 126 10511	1nF 5% 50V
2101	9965 000 10115	390pF 50V 10%
2102	9965 000 10115	390pF 50V 10%
2103	2020 552 96305	4.7µF 20-80% 10V
2104	9965 000 10115	390pF 50V 10%
2105	9965 000 10115	390pF 50V 10%
2106	2020 552 96305	4.7µF 20-80% 10V
2107	9965 000 10115	390pF 50V 10%
2108	9965 000 10115	390pF 50V 10%
2109	2020 552 96305	4.7µF 20-80% 10V
2110	9965 000 10115	390pF 50V 10%
2111	9965 000 10115	390pF 50V 10%
2112	2020 552 96305	4.7µF 20-80% 10V
2113	5322 122 32658	22pF 5% 50V
2114	5322 122 32658	22pF 5% 50V
2115	5322 122 32658	22pF 5% 50V
2116	5322 122 32658	22pF 5% 50V
2117	5322 122 32658	22pF 5% 50V
2118	5322 122 32658	22pF 5% 50V

2120	5322 122 32658	22pF 5% 50V
2131	9965 000 10115	390pF 50V 10%
2132	9965 000 10115	390pF 50V 10%
2133	2020 552 96305	4.7µF 20-80% 10V
2134	9965 000 10115	390pF 50V 10%
2135	9965 000 10115	390pF 50V 10%
2136	2020 552 96305	4.7µF 20-80% 10V
2137	9965 000 10115	390pF 50V 10%
2138	9965 000 10115	390pF 50V 10%
2139	2020 552 96305	4.7µF 20-80% 10V
2140	9965 000 10115	390pF 50V 10%
2141	9965 000 10115	390pF 50V 10%
2142	2020 552 96305	4.7µF 20-80% 10V
2143	5322 122 31863	330pF 5% 63V
2144	5322 122 31863	330pF 5% 63V
2145	5322 122 32658	22pF 5% 50V
2147	5322 122 32658	22pF 5% 50V
2151	5322 122 31863	330pF 5% 63V
2152	2020 552 96305	4.7µF 20-80% 10V
2153	5322 122 31863	330pF 5% 63V
2154	2020 552 96305	4.7µF 20-80% 10V
2161	4822 124 12392	47µF 20% 16V
2171	4822 126 13682	100pF 5% 1kV
2172	4822 126 12263	220pF 10% 1kV
2174	4822 122 31177	470pF 10% 500V
2175	2020 021 91577	470µF 20% 16V
2184	2020 552 96305	4.7µF 20-80% 10V
2201	4822 126 14585	100nF 10% 50V
2202	4822 126 14585	100nF 10% 50V
2203	4822 126 14585	100nF 10% 50V
2204	4822 126 14585	100nF 10% 50V
2205	4822 126 14076	220nF 25V
2206	4822 126 13693	56pF 1% 63V
2207	5322 126 10184	820pF 5% 50V 3
2208	4822 126 14585	100nF 10% 50V
2209	4822 124 40248	10µF 20% 63V
2210	4822 126 14043	1µF 20-80% 16V
2211	4822 126 13482	470nF 80/20% 16V
2213	5322 122 32654	22nF 10% 63V
2214	5322 122 32654	22nF 10% 63V
2215	5322 122 32654	22nF 10% 63V
2216	4822 124 81144	1000µF 16V
2216	2020 012 93728	2200µF 20% 10V
2217	5322 122 32654	22nF 10% 63V
2219	4822 126 14076	220nF 25V
2220	4822 121 51252	470nF 5% 63V
2221	5322 122 32654	22nF 10% 63V
2230	4822 124 40769	4.7µF 20% 100V
2234	4822 126 14585	100nF 10% 50V
2238	5322 126 10511	1nF 5% 50V
2239	5322 126 10511	1nF 5% 50V
2240	5322 126 10511	1nF 5% 50V
2241	4822 126 13344	1.5nF 5% 63V
2242	4822 126 14043	1µF 20-80% 16V
2243	4822 122 33177	10nF 20% 50V
2244	5322 121 42386	100nF 5% 63V
2245	4822 126 14076	220nF 25V
2245	4822 126 14107	330nF 20-80% 25V
2247	4822 124 81144	1000µF 16V
2247	2020 012 93728	2200µF 20% 10V
2248	5322 122 32654	22nF 10% 63V
2249	5322 122 32654	22nF 10% 63V
2250	4822 124 22652	2.2µF 20% 50V
2252	5322 126 10511	1nF 5% 50V
2253	5322 126 10511	1nF 5% 50V
2254	4822 051 20008	Jumper
2330	4822 121 51473	470nF 20% 63V
2340	4822 124 11565	10µF 20% 250V
2341	4822 126 13599	3.3nF 10% 500V
2342	5322 116 80853	560pF 5% 63V
2343	4822 126 13451	2.2nF 10% 2kV
2343	4822 126 12278	3300pF10% 2kV
2344	4822 051 20008	Jumper
2345	4822 122 31175	1nF 10% 500V
2346	4822 126 13435	1.2nF 10% 2kV
2346	4822 126 14237	470pF 10% 2kV
2360	4822 124 40764	22µF 100V
2361	4822 124 40207	100µF 20% 25V
2365	4822 121 40516	22nF 10% 250V
2366	4822 121 40334	100nF 10% 100V
2367	5322 122 33861	120pF10% 50V
2367	5322 122 33538	150pF 2% 63V
2367	4822 126 10326	180pF 5% 63V
2368	5322 122 32654	22nF 10% 63V
2373	4822 126 13693	56pF 1% 63V
2375	5322 122 31863	330pF 5% 63V
2376	4822 126 14585	100nF 10% 50V
2377	4822 126 14585	100nF 10% 50V
2401	4822 124 12438	2.2µF 20% 100V

2401	5322 124 41379	2.2µF 20% 50V
2402	4822 122 31177	470pF 10% 500V
2404	4822 124 41751	47µF 20% 50V
2405	4822 124 40196	220µF 20% 16V
2405	4822 124 80875	220µF 20% 25V
2420	4822 126 14043	1µF 20-80% 16V
2421	5322 122 32268	470pF 5% 63V
2441	4822 124 21913	1µF 20% 63V
2443	4822 126 13751	47nF 10% 63V
2444	4822 124 21913	1µF 20% 63V
2450	4822 124 11575	47µF 20% 160V
2451	4822 121 51305	15nF 10% 50V
2451	4822 121 41856	22nF 5% 250V
2452	4822 126 10326	180pF 5% 63V
2454	2222 479 90133	68nF 5% 250V
2455	4822 124 40433	47µF 20% 25V
2457	4822 121 42365	330nF 5% 250V
2457	4822 121 10781	470nF 5% 250V
2458	4822 124 12438	2.2µF 20% 100V
2459	4822 126 13185	680pF10% 500V
2460	5322 122 32531	100pF 5% 50V
2463	4822 124 14237	470pF 10% 2kV
2463	4822 126 14138	680pF 10% 2kV
2464	4822 121 10739	2.2µF 5% 160V
2465	4822 121 70618	12nF 5% 1600V
2465	4822 121 70637	8.2nF 5% 1600V
2466	4822 121 40483	10nF 10% 400V
2466	2222 347 90219	15nF 10% 400V
2467	2222 375 90424	9.1nF 5% 1kV
2468	5322 121 42532	18nF 10% 400V
2468	2222 375 90424	9.1nF 5% 1kV
2469	4822 126 14096	560nF 5% 250V
2471	5322 121 42386	100nF 5% 63V
2472	4822 121 41854	150nF 5% 63V
2473	5322 121 42386	100nF 5% 63V
2474	4822 122 33127	2.2nF 10% 63V
2475	4822 122 33127	2.2nF 10% 63V
2476	5322 126 10223	4.7nF 10% 63V
2480	5322 121 10472	47µF
2481	4822 122 31177	470pF 10% 500V
2482	4822 121 51408	33nF 10% 250V
2482	4822 121 40482	68nF 10% 250V
2485	4822 124 12265	4.7µF 20% 250V
2486	2020 021 91577	470µF 20% 16V
2487	4822 124 80604	47µF 20% 50V
2488	4822 124 81145	16V 20% 1000µF
2489	2020 021 91577	470µF 20% 16V
2490	4822 124 12438	2.2µF 20% 100V
2491	4822 122 31175	1nF 10% 500V
2493	2222 347 90219	15nF 10% 400V
2500	4822 126 13589	470nF 275V
2501	4822 126 14153	2.2nF 10% 1kV
2502	4822 126 14153	2.2nF 10% 1kV
2503	4822 124 12415	220µF 20% 400V
2505	4822 126 14153	2.2nF 10% 1kV
2505	4822 126 13599	3.3nF 10% 500V
2506	4822 121 10798	33nF 5% 400V
2507	5322 122 34099	470pF 10% 63V
2508	4822 122 50116	470pF 10% 1kV
2509	4822 121 10711	100nF 20% 275V
2515	4822 126 14049	1.5nF 20% 250V
2516	4822 126 14208	220pF 20% 250V
2516	4822 126 13867	330pF 20% 250V
2520	4822 126 14585	100nF 10% 50V
2520	4822 122 33177	10nF 20% 50V
2521	4822 124 81151	22µF 50V
2522	4822 126 14585	100nF 10% 50V
2523	4822 126 13862	1.5nF 10% 2kV
2525	5322 122 34099	470pF 10% 63V
2526	4822 126 13482	470nF 80/20% 16V
2527	4822 122 33127	2.2nF 10% 63V
2528	5322 122 31647	1nF 10% 63V
2540	4822 122 33177	10nF 20% 50V
2541	4822 122 33177	10nF 20% 50V
25		

2606	5322 122 31647	1nF 10% 63V	3111	4822 116 52264	27kΩ 5% 0.5W	3343	3198 013 01520	1.5kΩ 20% 0.5W
2607	2238 861 18339	33P 1% 50V	3112	4822 117 11507	6.8kΩ 1% 0.1W	3344	4822 116 52186	22Ω 5% 0.5W
2608	4822 126 14043	1μF 20-80% 16V	3113	4822 116 52201	75Ω 5% 0.5W	3344	4822 116 52191	33Ω 5% 0.5W
2609	2238 861 18339	33P 1% 50V	3114	4822 116 52175	100Ω 5% 0.5W	3345	4822 117 13016	1mA/50V max 115V
2611	4822 126 14043	1μF 20-80% 16V	3115	4822 116 52201	75Ω 5% 0.5W	3346	4822 116 52186	22Ω 5% 0.5W
2612	4822 126 13694	68pF 1% 63V	3116	4822 116 52175	100Ω 5% 0.5W	3346	4822 116 52191	33Ω 5% 0.5W
2613	4822 126 13694	68pF 1% 63V	3117	4822 116 52201	75Ω 5% 0.5W	3347	4822 051 10102	1kΩ 2% 0.25W
2615	5322 122 31647	1nF 10% 63V	3118	4822 116 52175	100Ω 5% 0.5W	3348	4822 051 10102	1kΩ 2% 0.25W
2618	4822 126 14043	1μF 20-80% 16V	3119	4822 116 52199	68Ω 5% 0.5W	3350	4822 051 10102	1kΩ 2% 0.25W
2619	4822 126 14043	1μF 20-80% 16V	3120	4822 051 10102	1kΩ 2% 0.25W	3351	4822 051 10102	1kΩ 2% 0.25W
2691	4822 124 40248	10μF 20% 63V	3131	4822 116 83868	150Ω 5% 0.5W	3353	4822 051 10102	1kΩ 2% 0.25W
2801	4822 124 40207	100μF 20% 25V	3132	3198 021 52240	220kΩ 5%	3354	4822 051 10102	1kΩ 2% 0.25W
2801	4822 124 81151	22μF 50V	3133	4822 116 83868	150Ω 5% 0.5W	3360	4822 117 13424	1Ω 5% 0.5W
2802	4822 126 14076	220nF 25V	3134	4822 117 10834	47kΩ 1% 0.1W	3362	4822 052 10109	10Ω 5% 0.33W
2802	2020 552 96305	4.7μF 20-80% 10V	3135	4822 116 83868	150Ω 5% 0.5W	3363	4822 116 52231	820Ω 5% 0.5W
2803	2020 552 96305	4.7μF 20-80% 10V	3136	3198 021 52240	220kΩ 5%	3364	4822 116 80176	1Ω 5% 0.5W
2804	2020 552 96305	4.7μF 20-80% 10V	3137	4822 116 83868	150Ω 5% 0.5W	3364	4822 116 81039	1.8Ω 5% 0.5W
2805	2020 552 96305	4.7μF 20-80% 10V	3138	4822 117 10834	47kΩ 1% 0.1W	3368	4822 117 12955	2.7kΩ 1% 0.1W
2811	2020 552 96305	4.7μF 20-80% 10V	3139	4822 116 52264	27kΩ 5% 0.5W	3369	4822 117 10833	10kΩ 1% 0.1W
2823	4822 124 40207	100μF 20% 25V	3140	4822 117 11507	6.8kΩ 1% 0.1W	3370	4822 117 11503	220Ω 1% 0.1W
2824	2020 552 96305	4.7μF 20-80% 10V	3141	4822 116 52201	75Ω 5% 0.5W	3371	4822 051 20472	4.7kΩ 5% 0.1W
2831	5322 122 32447	1pF 5% 63V	3142	4822 116 52175	100Ω 5% 0.5W	3373	4822 117 11503	220Ω 1% 0.1W
2832	5322 122 32447	1pF 5% 63V	3143	4822 116 52199	68Ω 5% 0.5W	3374	4822 116 52291	56kΩ 5% 0.5W
2833	4822 126 13692	47pF 1% 63V	3144	4822 051 10102	1kΩ 2% 0.25W	3375	4822 116 83868	150Ω 5% 0.5W
2834	5322 122 32268	470pF 5% 63V	3151	4822 116 83868	150Ω 5% 0.5W	3375	4822 116 83872	220Ω 5% 0.5W
2835	4822 122 33575	220pF 5% 63V	3152	3198 021 52240	220kΩ 5%	3376	4822 051 20008	Jumper
2836	4822 126 13344	1.5nF 5% 63V	3153	4822 116 83868	150Ω 5% 0.5W	3377	4822 050 24708	4.7Ω 1% 0.6W
2837	4822 124 40769	4.7μF 20% 100V	3154	3198 021 52240	220kΩ 5%	3378	4822 117 11148	56kΩ 1% 0.1W
2840	4822 126 14585	100nF 10% 50V	3155	4822 116 52195	47Ω 5% 0.5W	3379	4822 051 20472	4.7kΩ 5% 0.1W
2841	4822 124 40248	10μF 20% 63V	3171	4822 050 11204	120kΩ 1% 0.4W	3382	4822 117 11139	1.5kΩ 1% 0.1W
2842	4822 126 14585	100nF 10% 50V	3172	4822 116 83961	6.8kΩ 5%	3383	4822 051 20471	470Ω 5% 0.1W
2843	4822 124 40248	10μF 20% 63V	3173	4822 116 52297	68kΩ 5% 0.5W	3384	4822 117 11454	820Ω 1% 0.1W
2844	4822 124 40248	10μF 20% 63V	3174	4822 116 52297	68kΩ 5% 0.5W	3385	4822 116 80176	1Ω 5% 0.5W
2845	4822 126 14585	100nF 10% 50V	3176	4822 052 11108	1Ω 5% 0.5W	3385	4822 116 81039	1.8Ω 5% 0.5W
2846	4822 124 40207	100μF 20% 25V	3200	4822 116 83881	390Ω 5% 0.5W	3386	4822 051 20472	4.7kΩ 5% 0.1W
2849	5322 126 10511	1nF 5% 50V	3201	4822 116 52175	100Ω 5% 0.5W	3387	4822 051 20471	470Ω 5% 0.1W
2850	5322 126 10511	1nF 5% 50V	3202	4822 116 52175	100Ω 5% 0.5W	3390	4822 051 20109	10Ω 5% 0.1W
2851	2020 552 96305	4.7μF 20-80% 10V	3203	4822 116 52175	100Ω 5% 0.5W	3391	4822 051 20109	10Ω 5% 0.1W
2851	4822 051 20008	Jumper	3204	4822 116 52257	22kΩ 5% 0.5W	3392	4822 117 11373	100Ω 1%
2852	5322 126 10511	1nF 5% 50V	3206	4822 051 20124	120kΩ 5% 0.1W	3392	4822 117 11503	220Ω 1% 0.1W
2853	2020 552 96305	4.7μF 20-80% 10V	3206	4822 051 20154	150kΩ 5% 0.1W	3393	4822 051 20472	4.7kΩ 5% 0.1W
2853	4822 051 20008	Jumper	3206	3198 021 52240	220kΩ 5%	3400	4822 116 52219	330Ω 5% 0.5W
2854	5322 126 10511	1nF 5% 50V	3207	4822 050 11002	1kΩ 1% 0.4W	3401	4822 116 83874	220kΩ 5% 0.5W
2855	4822 122 30045	27pF 2% 100V	3208	4822 117 11503	220Ω 1% 0.1W	3401	4822 116 52257	22kΩ 5% 0.5W
2856	4822 126 13486	15pF 2% 63V	3209	4822 117 12521	68Ω 1% 0.1W	3401	4822 050 23303	33kΩ 1% 0.6W
2857	5322 122 33538	150pF 2% 63V	3212	4822 051 20471	470Ω 5% 0.1W	3403	4822 116 52234	100kΩ 5% 0.5W
2858	5322 126 10511	1nF 5% 50V	3213	4822 051 20561	560Ω 5% 0.1W	3403	4822 116 52297	68kΩ 5% 0.5W
2859	5322 126 10511	1nF 5% 50V	3214	4822 116 52175	100Ω 5% 0.5W	3403	4822 116 52304	82kΩ 5% 0.5W
2860	4822 126 13693	56pF 1% 63V	3217	4822 051 20334	330kΩ 5% 0.1W	3404	4822 050 11002	1kΩ 1% 0.4W
2862	2020 552 96305	4.7μF 20-80% 10V	3218	4822 117 11149	82kΩ 1% 0.1W	3405	4822 050 24708	4.7Ω 1% 0.6W
2887	4822 122 33177	10nF 20% 50V	3219	4822 117 11449	2kΩ 2% 0.1W	3406	4822 050 24708	4.7Ω 1% 0.6W
2894	4822 122 33575	220pF 5% 63V	3223	4822 117 11373	100Ω 1%	3407	4822 050 24708	4.7Ω 1% 0.6W
2895	5322 116 80853	560pF 5% 63V	3226	4822 051 20561	560Ω 5% 0.1W	3408	4822 116 52175	100Ω 5% 0.5W
2897	4822 122 33172	390pF 5% 50V	3229	4822 117 11454	820Ω 1% 0.1W	3408	4822 050 21003	10kΩ 1% 0.6W
2898	4822 122 33177	10nF 20% 50V	3230	4822 117 11504	270Ω 1% 0.1W	3410	4822 050 21003	10kΩ 1% 0.6W
2902	4822 124 81144	1000μF 16V	3231	4822 051 20561	560Ω 5% 0.1W	3411	4822 052 10478	4.7Ω 5% 0.33W
2902	4822 124 80061	1000μF 20% 25V	3233	4822 117 11454	820Ω 1% 0.1W	3441	4822 117 11373	100Ω 1%
2903	4822 124 21913	1μF 20% 63V	3235	4822 116 52175	100Ω 5% 0.5W	3442	4822 051 20008	Jumper
2904	4822 126 13482	470nF 80/20% 16V	3236	4822 051 20154	150kΩ 5% 0.1W	3443	4822 051 20105	1MΩ 5% 0.1W
2905	5322 122 31647	1nF 10% 63V	3237	4822 051 20122	1kΩ 20 5% 0.1W	3445	4822 116 52244	15kΩ 5% 0.5W
2905	5322 116 80853	560pF 5% 63V	3238	4822 051 20561	560Ω 5% 0.1W	3446	4822 116 52289	5.6kΩ 5% 0.5W
2906	4822 126 13482	470nF 80/20% 16V	3239	4822 117 11504	270Ω 1% 0.1W	3447	4822 116 52213	180Ω 5% 0.5W
2907	5322 122 31647	1nF 10% 63V	3240	4822 117 10837	100kΩ 1% 0.1W	3448	4822 116 52231	820Ω 5% 0.5W
2907	5322 116 80853	560pF 5% 63V	3241	4822 051 20223	22kΩ 5% 0.1W	3449	4822 116 52199	68Ω 5% 0.5W
2908	4822 124 40248	10μF 20% 63V	3242	4822 117 11383	12kΩ 1% 0.1W	3450	4822 116 52191	33Ω 5% 0.5W
2910	5322 122 31647	1nF 10% 63V	3244	4822 116 52231	820Ω 5% 0.5W	3451	4822 052 10109	10Ω 5% 0.33W
2910	4822 122 33891	3.3nF 10% 63V	3245	4822 117 12708	39kΩ 1% 0.1W	3452	4822 050 24703	47kΩ 1% 0.6W
2911	5322 122 31647	1nF 10% 63V	3245	4822 051 20393	39kΩ 5% 0.1W	3453	4822 050 11002	1kΩ 1% 0.4W
2911	4822 122 33891	3.3nF 10% 63V	3246	4822 117 10833	10kΩ 1% 0.1W	3454	4822 050 21503	15kΩ 1% 0.6W
2950	5322 122 31863	330pF 5% 63V	3247	2120 108 92641	180kΩ 1%	3455	4822 053 11688	6.8Ω 5% 2W
			3247	4822 051 20564	560kΩ 5% 0.1W	3456	4822 051 20008	Jumper
			3248	4822 051 20333	33kΩ 5% 0.1W	3457	4822 051 20008	Jumper
			3249	4822 116 52231	820Ω 5% 0.5W	3458	4822 050 11002	1kΩ 1% 0.4W
			3250	4822 050 11002	1kΩ 1% 0.4W	3459	4822 053 11153	15kΩ 5% 2W
			3250	4822 116 52303	8.2kΩ 5% 0.5W	3460	4822 116 52276	3.9kΩ 5% 0.5W
			3251	4822 116 52175	100Ω 5% 0.5W	3463	4822 116 52191	33Ω 5% 0.5W
			3256	4822 051 10102	1kΩ 2% 0.25W	3465	2312 915 12203	22kΩ 1%
			3257	4822 051 20106	10MΩ 5% 0.1W	3465	4822 050 22703	27kΩ 1% 0.6W
			3257	4822 051 20105	10MΩ 5% 0.1W	3465	4822 050 25603	56kΩ 1% 0.6W
			3258	4822 117 10837	100kΩ 1% 0.1W	3468	4822 116 52213	180Ω 5% 0.5W
			3258	2120 108 92641	180kΩ 1%	3469	4822 116 52269	3.3kΩ 5% 0.5W
			3258	4822 051 20274	270kΩ 5% 0.1W	3470	2120 108 92641	180kΩ 1%
			3259	4822 051 20475	4.7MΩ 5% 0.1W	3470	4822 051 20274	270kΩ 5% 0.1W
			3259	4822 051 20474	470kΩ 5% 0.1W	3470	4822 051 20334	330kΩ 5% 0.1W
			3270	4822 051 20008	Jumper	3470	4822 051 20474	470kΩ 5% 0.1W
			3331	4822 116 52175	100Ω 5% 0.5W	3471	4822 050 22202	2.2kΩ 1% 0.6W
			3332	3198 013 01020	1kΩ 20% 0.5W	3471	4822 050 23308	3.3Ω 1% 0.6W
			3333	4822 116 52175	100Ω 5% 0.5W	3471	4822 050 23908	3.9Ω 1% 0.6W
			3334	3198 013 01020	1kΩ 20% 0.5W	3471	4822 050 25608	5.6Ω 1% 0.6W
			3335	4822 116 52175	100Ω 5% 0.5W	3472	4822 050 23308	3.3Ω 1% 0.6W
			3336	3198 013 01020	1kΩ 20% 0.5W	3472	4822 050 25608	5.6Ω 1% 0.6W
			3340	4822 052 11109	10Ω 5% 0.5W	3473	4822 050 23308	3.3Ω 1% 0.6W
			3341	4822 052 10108	1Ω 5% 0.33W	3473	4822 050 23908	3.9Ω 1% 0.6W
			3342	4822 052 10108	1Ω 5% 0.33W	3473	4822 050	

6488	9322 164 42682	EGP20DL-5100
6490	4822 130 42606	BYD33J
6500	9322 132 55667	Bridge coil GBU4JL-7002
6520	4822 130 42488	BYD33D
6522	4822 130 11152	UDZ18B
6523	4822 130 30621	1N4148
6524	4822 130 31083	BYW55
6525	4822 130 31083	BYW55
6526	9340 548 67115	PDZ22B
6540	4822 130 34167	BZX79-B6V2
6541	4822 130 11551	UDZS10B
6560	3139 120 52021	BYV29X-500
6561	4822 130 32715	SB340
6563	4822 130 11397	BAS316
6565	5322 130 34331	BAV70
6566	4822 130 30621	1N4148
6567	4822 130 11148	UDZ4.7B
6567	4822 130 10837	UDZS8.2B
6569	4822 130 11397	BAS316
6570	9322 163 91685	BZX384-C6V2
6570	4822 130 10837	UDZS8.2B
6580	4822 130 11397	BAS316
6582	9322 175 70667	STPS10L60D
6691	9322 050 99682	LTL-10224WHCR
6692	9322 127 54667	TSOP1836UH1
6801	9340 548 52115	PDZ5.1B
6805	4822 130 10838	UDZ3.3B
6806	4822 130 10837	UDZS8.2B
6808	9322 179 26673	ZTE2
6831	4822 130 30621	1N4148
6901	4822 051 20008	Jumper



7000	9352 628 51112	TDA8941P/N1
7001	4822 130 63732	MMUN2212
7101	5322 130 60159	BC846B
7131	5322 130 60159	BC846B
7200	9352 707 67557	TDA9565H/N1/5/0648
7200	9352 712 22557	TDA9565H/N1/5/0739
7201	5322 130 60159	BC846B
7204	4822 130 60373	BC856B
7206	5322 130 42755	BC847C
7209	5322 130 42718	BFS20
7210	5322 130 42718	BFS20
7330	9352 561 40112	TDA6108
7331	5322 130 60159	BC846B
7332	5322 130 60159	BC846B
7333	5322 130 60159	BC846B
7360	4822 130 40959	BC547B
7362	9322 166 55682	2SA1358
7363	4822 130 40959	BC547B
7365	9322 166 56682	2SC3421
7366	4822 130 41646	BF423
7367	4822 130 44568	BC557B
7400	9322 157 37687	STP3NC60FP
7441	4822 130 60373	BC856B
7443	4822 130 44568	BC557B
7444	4822 130 40959	BC547B
7450	3198 010 44010	PDTA114ET
7460	9340 550 92127	BU4508DX
7461	4822 130 40981	BC337-25
7462	9340 547 00215	PDTC143ZT
7463	4822 130 41246	BC327-25
7471	9352 701 64112	TDA8359J/N2
7480	4822 130 40823	BD139
7482	4822 130 40823	BD139
7515	9322 175 72667	TCET1104(G)
7520	9352 673 56112	TEA1507P/N1
7521	9322 160 63687	STP7NC80ZFP
7522	5322 130 60159	BC846B
7540	4822 130 40959	BC547B
7541	4822 130 11155	PDTC114ET
7542	4822 130 60373	BC856B
7560	4822 209 16978	LF33CV
7561	9340 547 00215	PDTC143ZT
7580	4822 130 60373	BC856B
7602	9322 147 25682	M24C16-WBN6
7606	9340 547 00215	PDTC143ZT
7801	5322 209 11102	HEF4052BT
7802	5322 209 14481	HEF4053BT
7803	5322 130 60159	BC846B
7803	4822 130 61129	BCV27
7804	5322 130 60159	BC846B
7804	4822 130 61129	BCV27
7805	5322 130 60159	BC846B
7806	5322 130 60159	BC846B
7807	5322 130 60159	BC846B
7831	9322 182 56682	MSP3411G-PO-B11
7831	9322 183 57682	MSP3415G-PO-B11
7834	5322 130 60159	BC846B
7835	5322 130 60159	BC846B
7901	9322 158 65667	AN7522N

7901	9322 166 29682	AN7580
7903	5322 130 60159	BC846B
9611	4822 157 52392	27μH

Side AV Panel [C + E1]

Various

0232	4822 267 31014	Headphone socket
0250	4822 265 11606	3p
0251	4822 267 10735	3p
0251	2422 025 15849	6p male
0253	2422 025 16382	3p male
0254	4822 267 10734	5p
0255	4822 267 10565	4p



2171	5322 122 32311	470pF 10% 100V
2172	5322 122 32311	470pF 10% 100V
2173	5322 122 32311	470pF 10% 100V
2174	5322 122 32311	470pF 10% 100V
2176	5322 122 32311	470pF 10% 100V
2177	4822 124 40248	10μF 20% 63V
2178	5322 122 32311	470pF 10% 100V
2179	4822 124 40248	10μF 20% 63V



3150	4822 116 83884	47kΩ 5% 0.5W
3151	4822 116 83868	150Ω 5% 0.5W
3152	4822 116 83884	47kΩ 5% 0.5W
3153	4822 116 83868	150Ω 5% 0.5W
3155	4822 116 52201	75Ω 5% 0.5W
3156	4822 116 52206	120Ω 5% 0.5W
3156	4822 116 83876	270Ω 5% 0.5W
3157	4822 116 52206	120Ω 5% 0.5W
3157	4822 116 83876	270Ω 5% 0.5W



6161	4822 130 34278	BZX79-B6V8
------	----------------	------------

Front Interface [Q1]

Various

0157	3104 311 02471	Cable 5p 680m
0177	3104 311 03011	Cable 2p 340mm
0211	2422 025 16268	2p male
0212	2422 025 16268	2p male
0214	2422 025 06353	5p male
0231	2422 128 02972	Power switch



2691	4822 124 40248	10μF 20% 63V
2692	4822 126 13751	47nF 10% 63V
2693	4822 126 13751	47nF 10% 63V
2694	4822 126 13751	47nF 10% 63V
2695	4822 126 13751	47nF 10% 63V
2698	5322 121 42386	100nF 5% 63V



3500	4822 053 21335	3.3M Ω 5% 0.5W
3501	4822 053 21335	3.3M Ω 5% 0.5W
3691	4822 116 52219	330Ω 5% 0.5W
3693	4822 116 83872	220Ω 5% 0.5W



6691	9322 050 99682	LTL-10224WHCR
6692	9322 127 54667	TSOP1836UH1

Top control [T, T1]

Various

0158	3139 131 01771	Cable 3p 1000mm
0158	3139 131 01711	Cable 3p 1340mm
0215	4822 267 10748	3p
0215	2422 025 16601	3p male
1091	4822 276 13775	Switch
1092	4822 276 13775	Switch
1093	4822 276 13775	Switch

1094	4822 276 13775	Switch
------	----------------	--------



3091	4822 051 20561	560Ω 5% 0.1W
3092	4822 051 20391	390Ω 5% 0.1W
3093	4822 051 20561	560Ω 5% 0.1W
3094	4822 051 20391	390Ω 5% 0.1W
3095	4822 051 20332	3.3kΩ 5% 0.1W
3096	4822 117 11139	1.5kΩ 1% 0.1W



6091	4822 130 11528	1PS76SB10
6091	4822 130 31983	BAT85