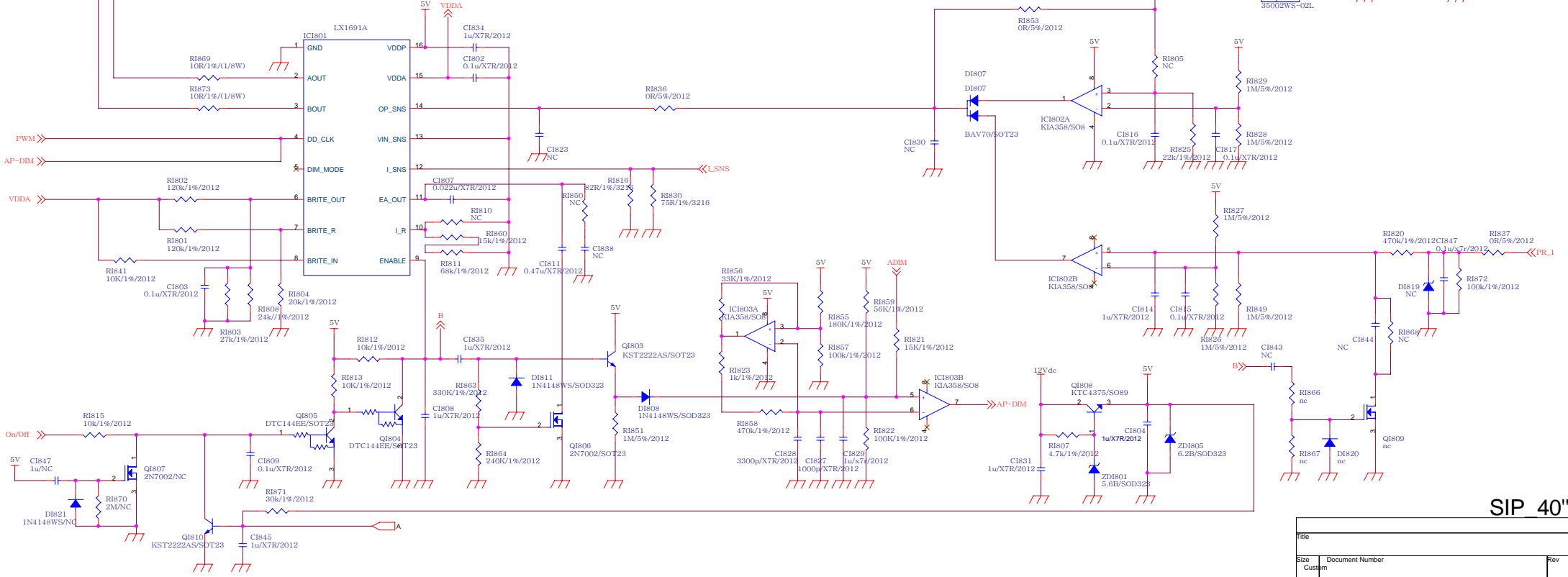
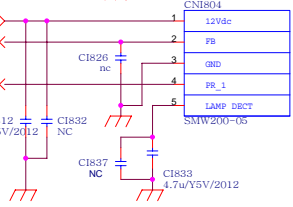
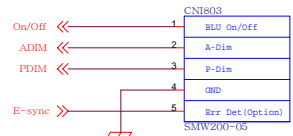


CYNC TRANS
 CORE : PL3, 5 PM2A, PM5 EE 1614
 BOBBIN : PHENOLIC V"
 10PIN(GP+4P)
 GAP : NO GAP
 S -> F Ts 1-5
 7 -> 8 56 0.025
 2 -> 5 28 0.025
 9 -> 10 56 0.025
 L 1~2mH



SIP 40"

Title		
Document Number		
Size	Custom	Rev
Date	Thursday, March 30, 2006	Sheet 2 of 4