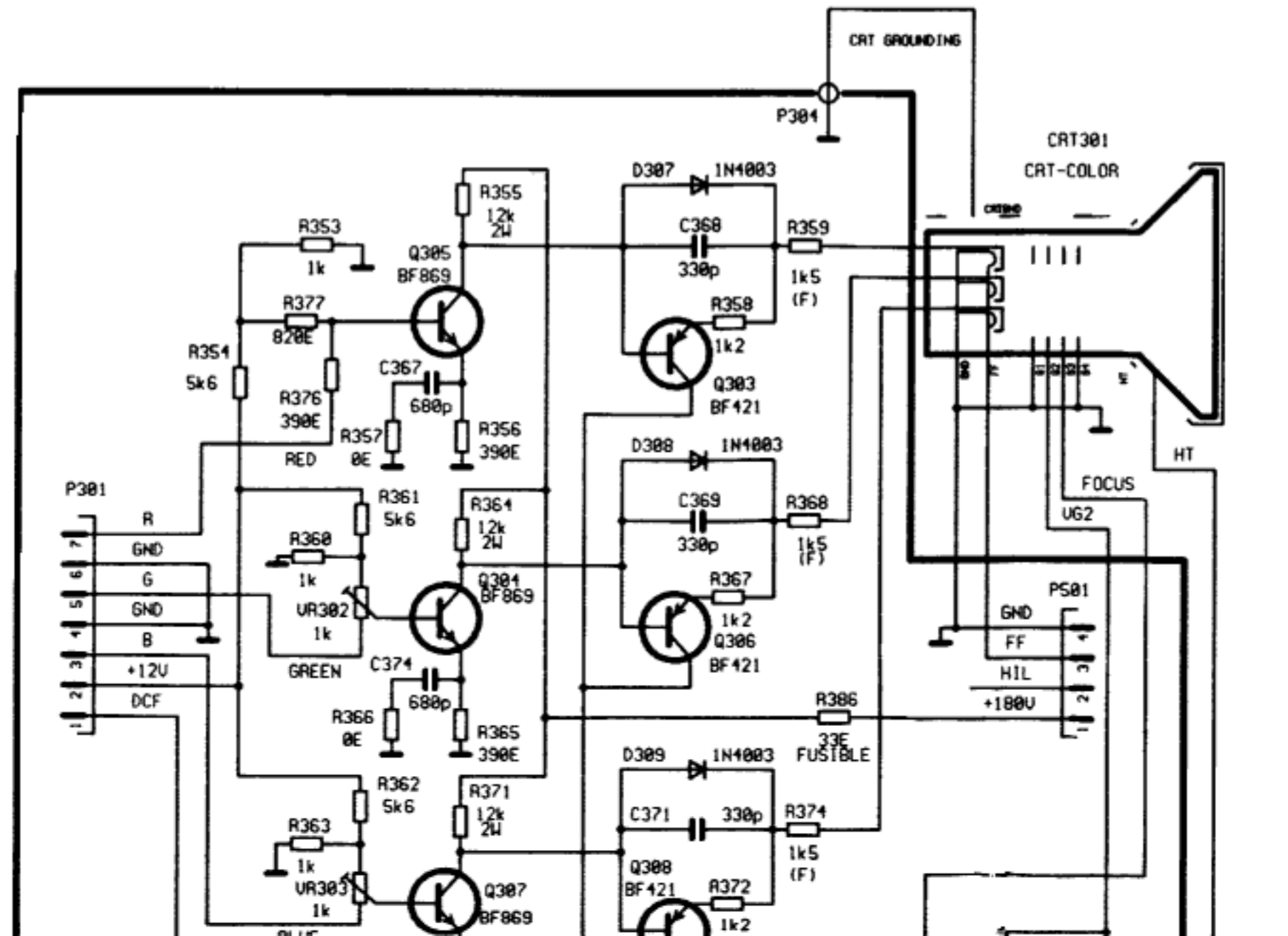


Zapraszam na stronę <http://murysz.republika.pl>



REMARK:

CONTROL RANGE TABLE

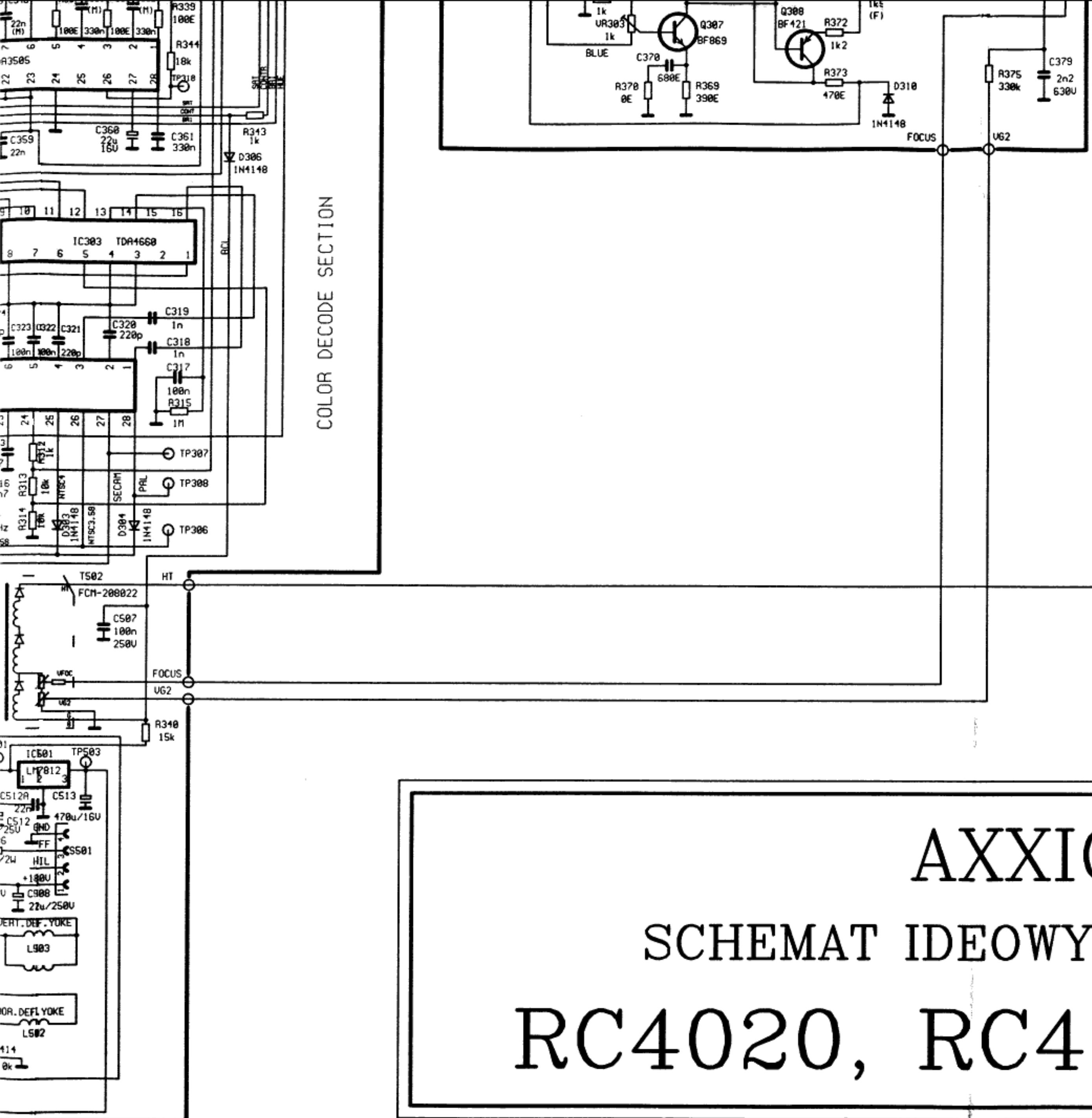
	MIN.	MAX.	CENTER
CONT.	2.8U	4.0U	
BRI.	0.9U	2.4U	
SAT	2.1U	3.3U	
HUE	1.5U	3.9U	2.8U

	A0	A1	A2
PCF8581	7b	8a	9b
PCF8582	7a	8b	9b

SCHEMATIC NOTES:

1. RESISTANCE IS SHOWN IN OHMS k=1.000 M=1.000.000
2. CAPACITANCE IS SHOWN IN u=uF n=nF p=pF  
T TANTALUM CAPACITOR  
M FILM CAPACITOR
3. STANDARD FILM RESISTOR (SFR25)
4. VOLTAGE READ WITH DIGITAL VOLTMETER FROM POINT INDICATED TO CHASSIS GROUND USING A NORMAL PICTURE
5. VOLTAGE READINGS SHOWN ARE NORMAL VALUES AND MAY VARY +/- 20% (EXCEPT H.U.)
6. SCHEMATIC SUBJECT TO CHANGE WITHOUT NOTICE

Zapraszam na stronę <http://murysz.republika.pl>



COLOR DECODE SECTION

IC101

TUNING STEP DELAY	PIN16	PIN17
40 ms	OFF	ON
52 ms	OFF	OFF
61 ms	ON	OFF
83 ms	ON	ON

"OFF - OPTION DIODE ABSENT"  
 "ON - OPTION DIODE PRESENT"

# SINGER 4021SP

Zapraszam na stronę <http://muryz.s.republika.pl>

**AXXION**  
 SCHEMAT IDEOWY OTVC 20", 21"  
**RC4020, RC4120, RC4021**