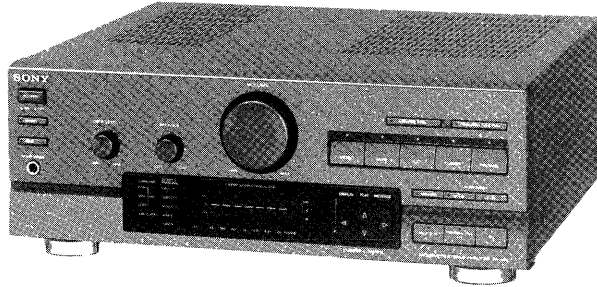


TA-D507

SERVICE MANUAL

*AEP Model
UK Model
East European Model*



This set is the amplifier section in LBT-D507/D507CD/D507CDM.

SPECIFICATIONS

Continuous RMS power output

60 W + 60 W
(6 ohms, at 1 kHz, 5 % THD)
50 W + 50 W
(6 ohms, DIN, 1 kHz)

Music power output

90 W + 90 W
(6 ohms, at 1 kHz, 10 % THD)

Frequency response

10 Hz to 50 kHz $+0$ dB

Power requirements

220 – 230 V AC, 50/60 Hz

Power consumption

150 W

Weight

Approx. 6.0 kg

Dimensions

Approx. 355 × 132 × 320 mm
(w/h/d, including projections)

Design and specifications are subject to change without notice.

Note

This appliance conforms with EEC Directive 87/308/EEC regarding interference suppression.

Input	Jack type	Sensitivity	Impedance
PHONO (MM)	Phono	3.3 mV	47 kohms
VIDEO	Phono	270 mV	47 kohms

Audio output	Jack type	Impedance
SURROUND SPEAKER	Phono	Accepts speakers of 16 ohms
HEADPHONES	Stereophone	Accepts headphones of 8 ohms or more



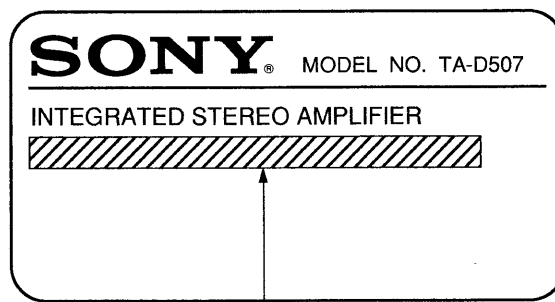
INTEGRATED STEREO AMPLIFIER
SONY®

TABLE OF CONTENTS

<i>Section</i>	<i>Title</i>	<i>Page</i>
SECTION 1.	GENERAL	3
SECTION 2.	DIAGRAMS	
2-1.	Circuit Boards Location	3
2-2.	Schematic Diagrams — Panel Section —	4
2-3.	Schematic Diagrams — Main Section —	8
2-4.	Printed Wiring Boards	13
2-5.	Semiconductor Lead Layouts	18
SECTION 3.	EXPLODED VIEWS	
3-1.	Cabinet Section	20
3-2.	Main Board Section	21
SECTION 4.	ELECTRICAL PARTS LIST	22



MODEL IDENTIFICATION

— Model Number Portion —



AEP, Italian, East European model : AC : 220—230V ~ 50/60Hz
 Germany model : SYSTEM LBT-D507
 AC : 220—230V ~ 50/60Hz
 UK model : AC : 240V ~ 50/60Hz

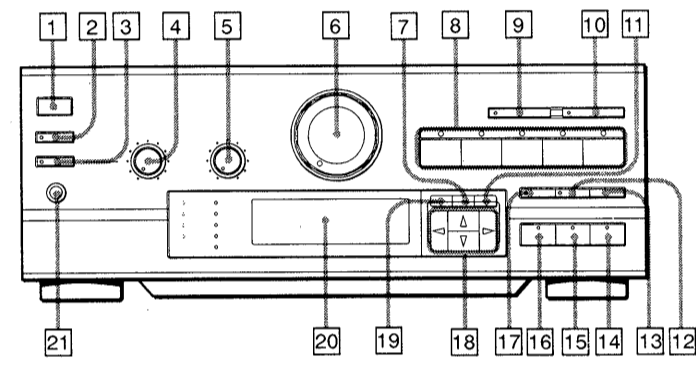
SAFETY-RELATED COMPONENT WARNING!!

COMPONENTS IDENTIFIED BY MARK  OR DOTTED LINE WITH MARK  ON THE SCHEMATIC DIAGRAMS AND IN THE PARTS LIST ARE CRITICAL TO SAFE OPERATION. REPLACE THESE COMPONENTS WITH SONY PARTS WHOSE PART NUMBERS APPEAR AS SHOWN IN THIS MANUAL OR IN SUPPLEMENTS PUBLISHED BY SONY.

SECTION 1 GENERAL

This section is extracted from instruction manual.

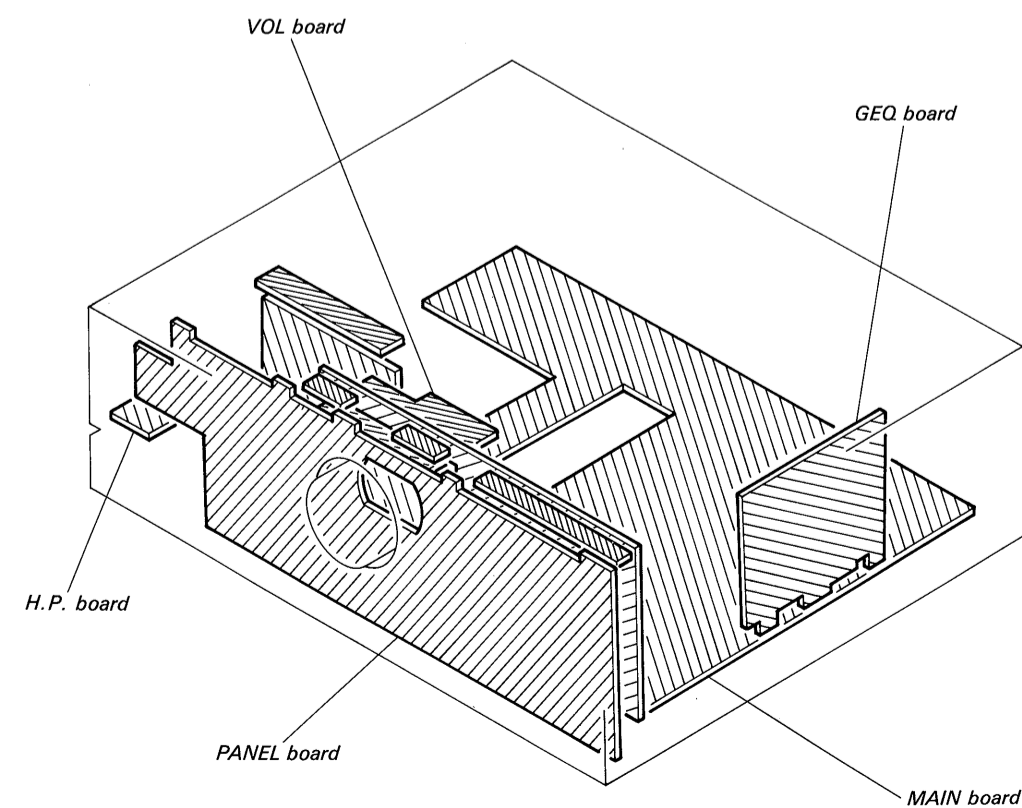
Location of Controls



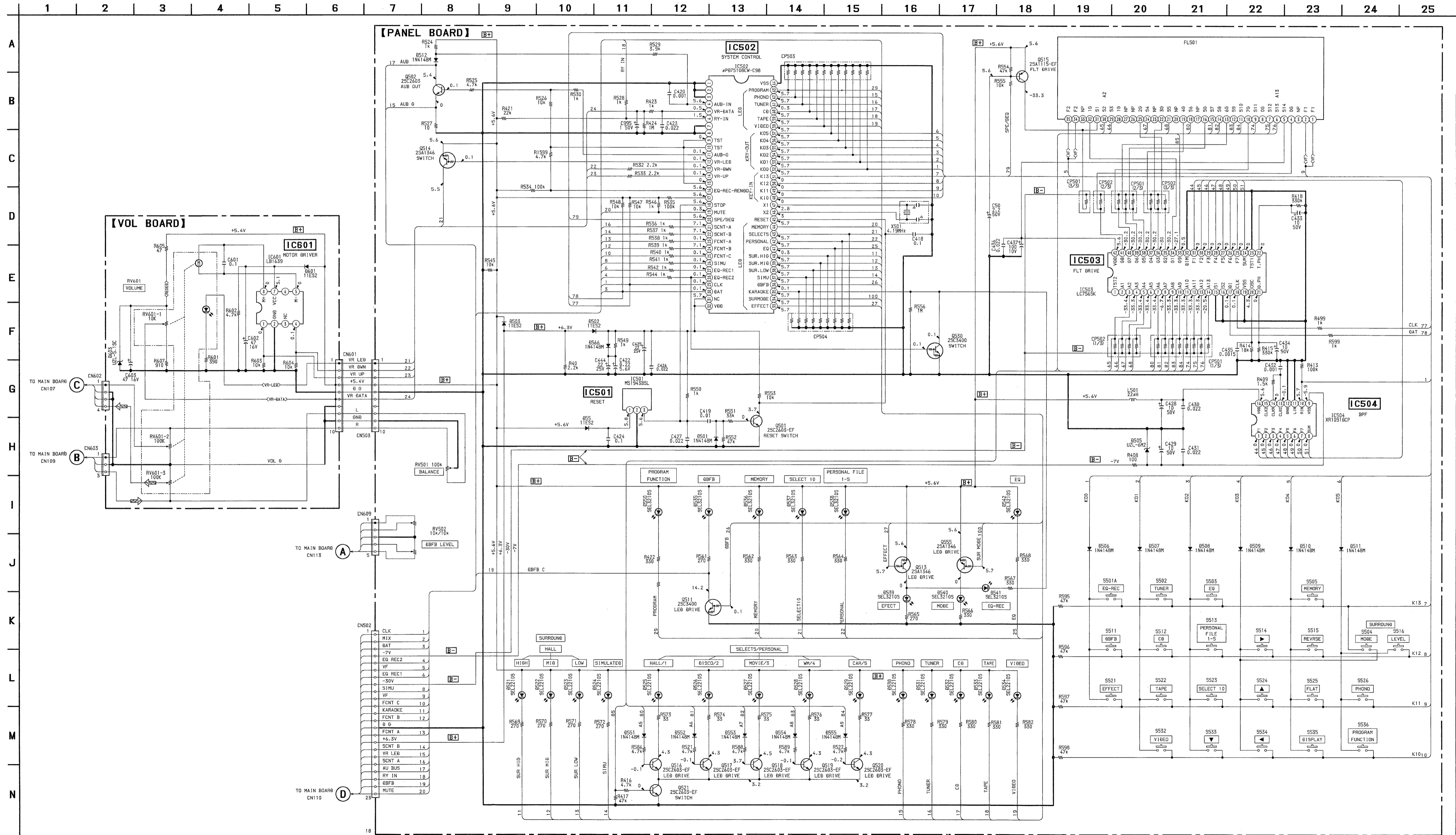
- 1 POWER switch (16)
- 2 EFFECT button and indicator (60)
- 3 DBFB button and indicator (18)
- 4 DBFB LEVEL control and indicator (18)
- 5 BALANCE control (18)
- 6 VOLUME control (18)
- 7 FLAT button (62)
- 8 Function selectors and indicators
- 9 EQ REC button and indicator (40)
- 10 PROGRAM FUNCTION button and indicator (122)
- 11 REVERSE button (62)
- 12 SURROUND MODE button and indicator (54)
- 13 SURROUND LEVEL button (54)
- 14 EQ button and indicator (58)
- 15 PERSONAL FILE 1 - 5 button and indicator (64)
- 16 SELECT 5 button and indicator (56)
- 17 MEMORY button and indicator (64)
- 18 CURSOR CONTROL buttons (56, 58, 64, 66)
- 19 DISPLAY button (62)
- 20 Display window
- 21 HEADPHONES jack

SECTION 2 DIAGRAMS

2-1. CIRCUIT BOARDS LOCATION



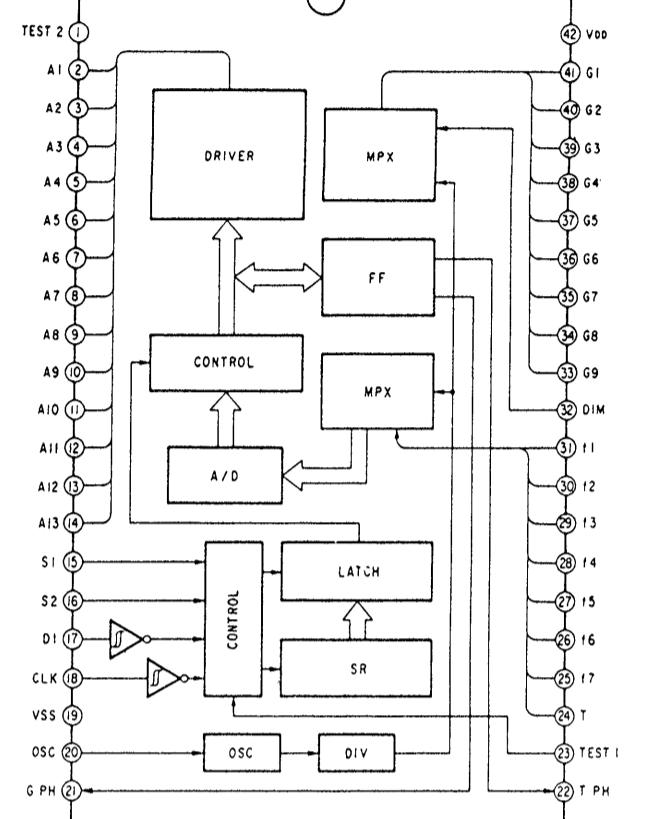
2-2. SCHEMATIC DIAGRAMS - PANEL Section -



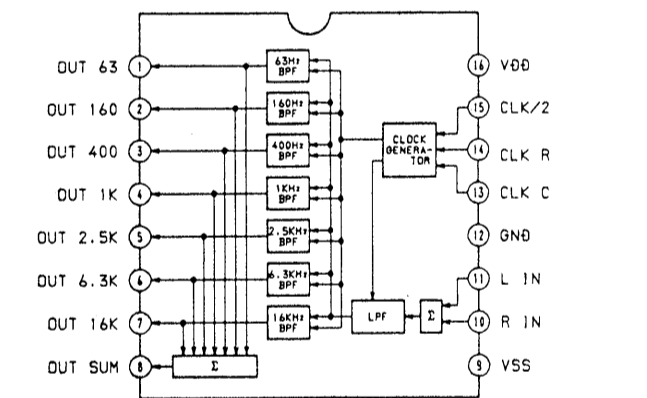
Note:

- All capacitors are in μF unless otherwise noted. pF ; μF : 50WV or less are not indicated except for electrolytic and tantalums.
- All resistors are in Ω and $\frac{1}{2}\text{W}$ or less unless otherwise specified.
- \square : internal component.
- \square : nonflammable resistor.
- \square : fusible resistor.
- \square : printed resistor.
- \square : B+ Line
- \square : B- Line
- \square : adjustment for repair.
- * : selected to yield optimum performance.
- AC voltage readings in the bias oscillator with a VTVM.
- Total current is measured with no cassette installed.
- Power voltage is dc V and fed with regulated dc power supply from external power voltage jack.
- Voltage and waveforms are dc with respect to ground under no-signal (detuned) conditions.
- Voltages are taken with a VOM (Input Impedance $10\text{M}\Omega$). Voltage variations may be noted due to normal production tolerances.
- Signal path.
- \square : CD
- G: Germany
- IT: Italian
- EE: East European

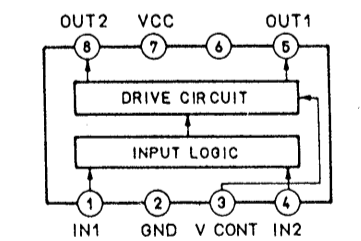
IC503 LC7565K

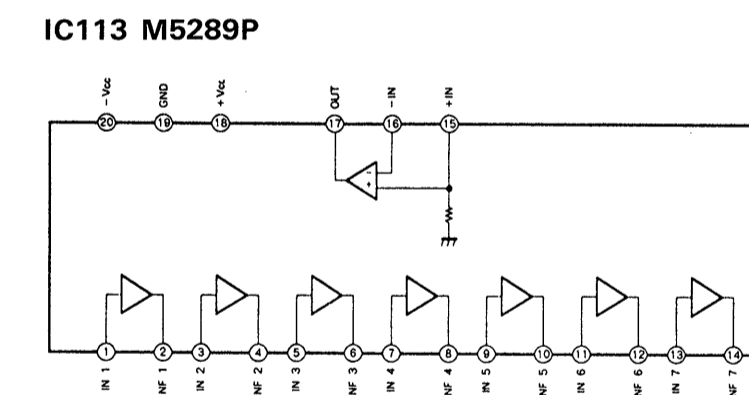
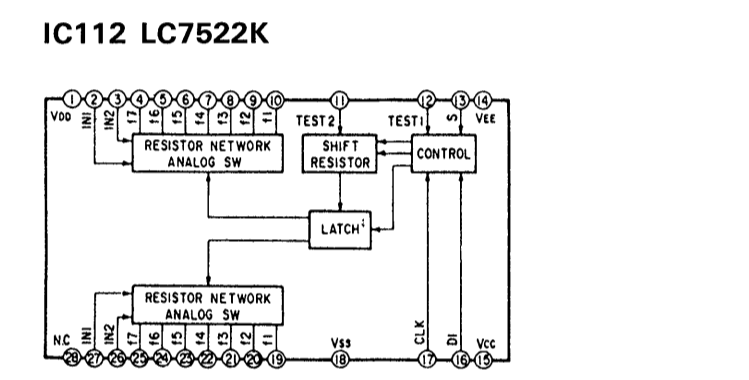
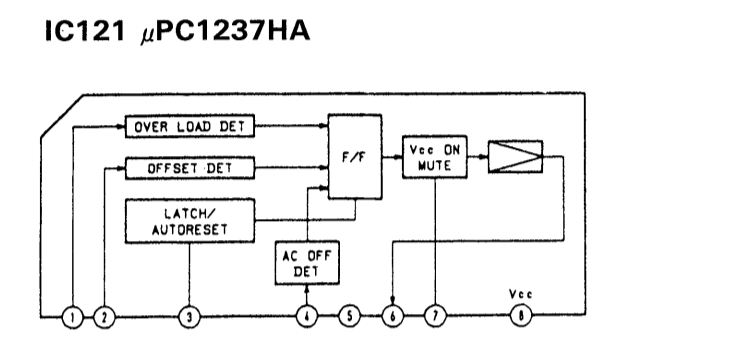
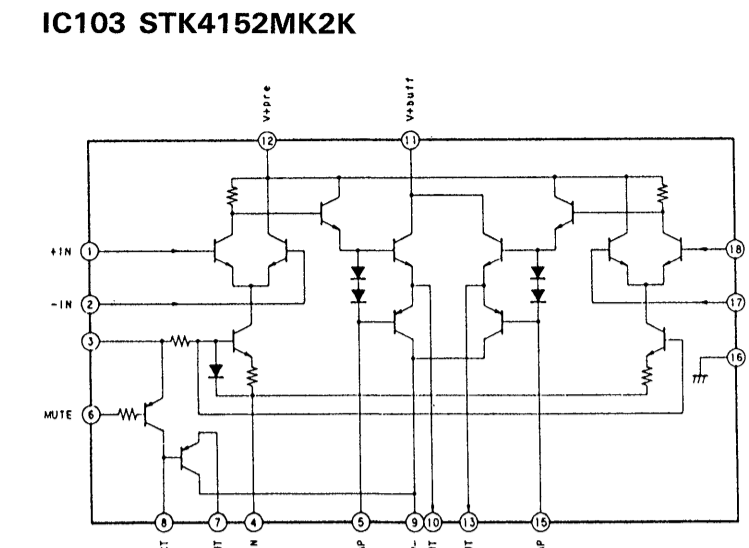
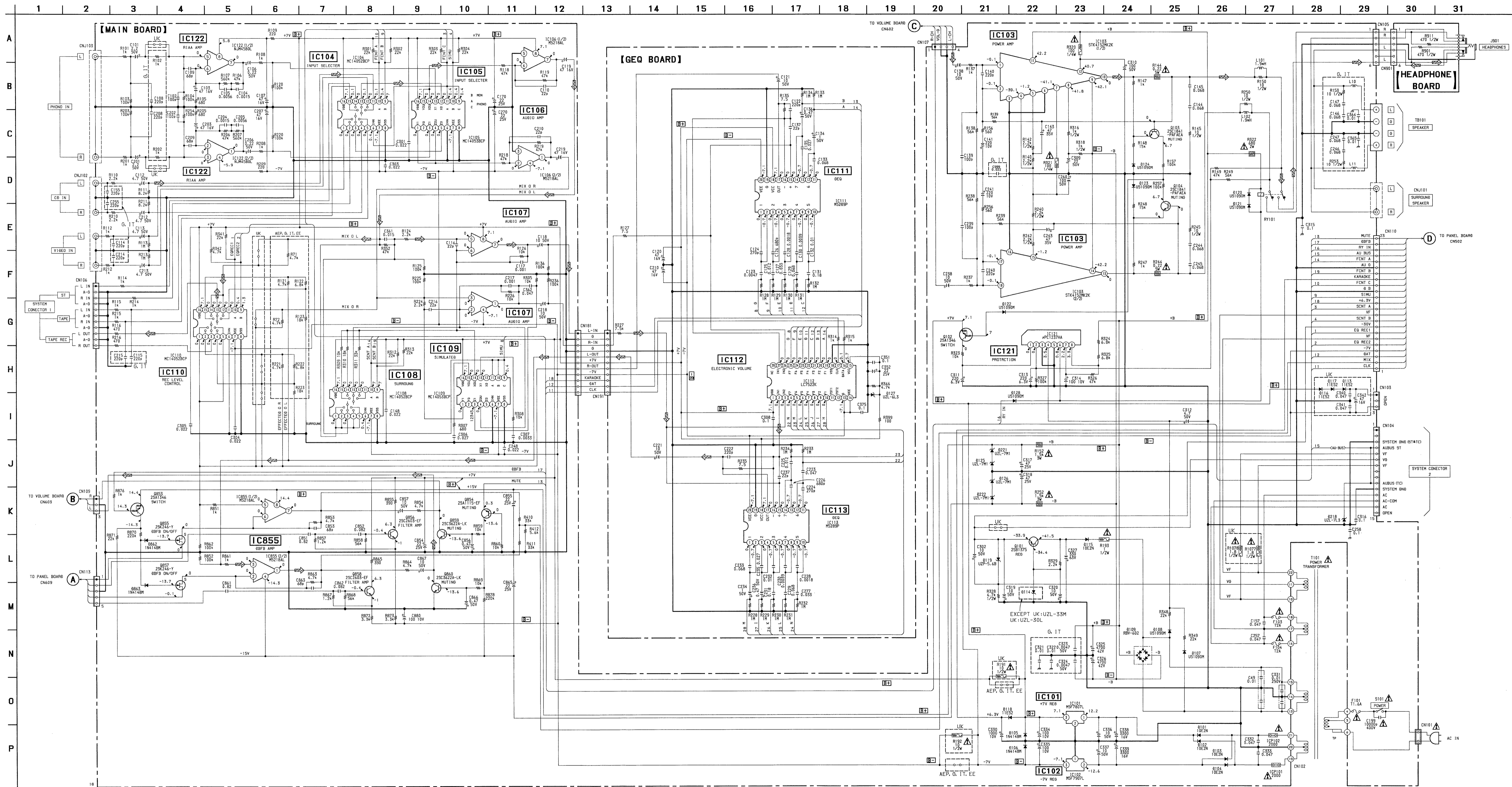


IC504 XR1091DCP



IC601 LB1639





Note:

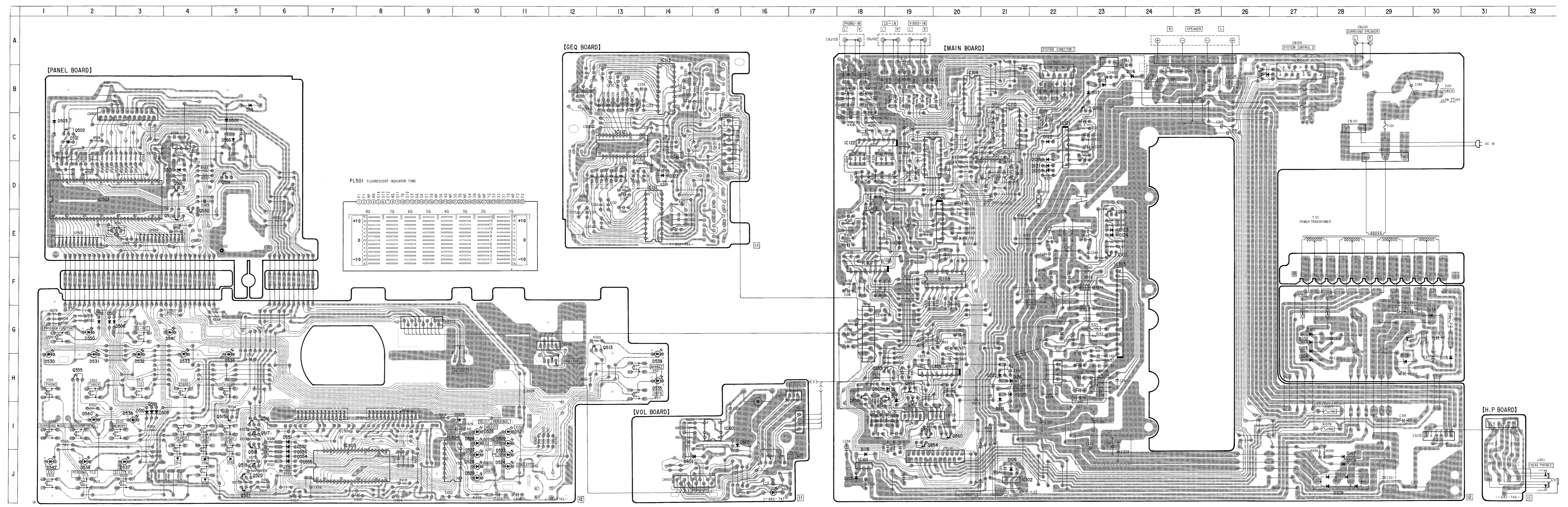
- All capacitors are in μF unless otherwise noted. pF ; μF 50V or less are not indicated except for electrolytics and tantalums.
- All resistors are in Ω and $1/4\text{W}$ or less unless otherwise specified.
- \triangle : internal component.
- \square : nonflammable resistor.
- $\text{---}/\text{---}$: fusible resistor.
- $\text{---}/\text{---}$: printed resistor.
- $\text{B}+$: B+ Line
- B : B- Line
- --- : adjustment for repair.
- --- : selected to yield optimum performance.
- AC voltage readings in the bias oscillator with a VTVM.
- Total current is measured with no cassette installed.
- Power voltage is dc V and fed with regulated dc power supply from external power voltage jack.
- Voltage and waveforms are dc with respect to ground under no-signal (detuned) conditions.
- Voltages are taken with a VOM (input impedance $10\text{M}\Omega$). Voltage variations may be noted due to normal production tolerances.
- Circled numbers refer to waveforms.
- Signal path.
- CD : Germany
- G : Italy
- IT : Italian
- EE : East European

Note:
 ● ○ : parts extracted from the component side.
 G: Germany
 IT: Italian
 EE: East European

● Semiconductor Location

Ref. No.	Location	Ref. No.	Location	Ref. No.	Location
D55	B-5	D537	J-3	Q853	H-19
D101	G-27	D538	J-2	Q854	I-19
D102	G-27	D539	G-14	Q855	H-19
D103	G-27	D540	I-2	Q856	H-18
D104	H-27	D541	G-2	Q857	H-19
D105	J-18	D542	J-2	Q858	H-18
D106	J-21	D550	G-2	Q859	I-19
D107	J-28	D551	I-6	Q860	I-19
D108	J-28	D552	I-6		
D109	J-28	D553	I-6		
D113	B-23	D554	J-6		
D114	G-30	D555	J-6		
D115	H-30	D566	C-5		
D116	B-24	D601	J-14		
D117	B-23	D603	J-15		
D118	J-18	D862	H-19		
D119	H-29	D863	H-19		
D120	D-22				
D121	D-22	IC101	J-18		
D122	C-22	IC102	J-21		
D123	E-23	IC103	F-23		
D124	E-23	IC104	B-20		
D125	H-21	IC105	C-19		
D126	H-21	IC106	E-20		
D127	D-14	IC107	F-18		
D128	C-22	IC108	F-20		
D218	B-26	IC109	E-18		
D221	H-21	IC110	C-21		
D222	H-21	IC111	E-14		
D501	D-4	IC112	C-13		
D502	C-5	IC113	B-14		
D503	C-1	IC121	C-22		
D505	I-10	IC122	C-18		
D506	G-2	IC501	C-4		
D507	G-2	IC502	D-2		
D508	I-3	IC503	J-7		
D509	I-3	IC504	J-10		
D510	I-3	IC601	I-15		
D511	G-2	IC855	H-20		
D512	C-1				
D521	I-11	Q101	G-29		
D522	I-11	Q102	B-23		
D523	J-11	Q103	E-23		
D524	J-11	Q104	E-23		
D525	I-10	Q511	E-4		
D526	I-10	Q513	G-13		
D527	J-10	Q514	D-5		
D528	J-10	Q515	I-5		
D529	J-10	Q516	I-5		
D530	G-1	Q517	I-5		
D531	G-2	Q518	I-5		
D532	G-3	Q519	J-5		
D533	G-4	Q520	J-5		
D534	G-5	Q521	J-5		
D535	H-14	Q530	D-4		
D536	I-3	Q555	H-2		

2-4. PRINTED WIRING BOARDS

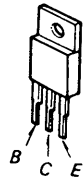


2-5. SEMICONDUCTOR LEAD LAYOUT

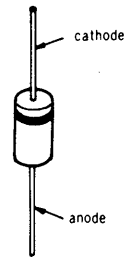
M51943BSL



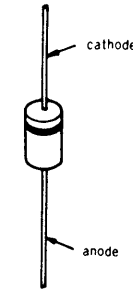
2SB1094-LK



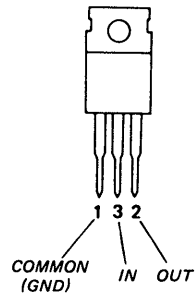
10E2N
1N4148M
1S1585



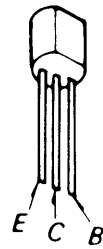
UZL-6L3
UZL-6M2
UZL-7L3
UZP-5.6B



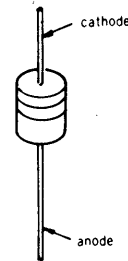
M5F7907



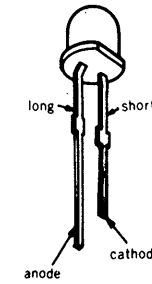
2SC1841-PAFAEA



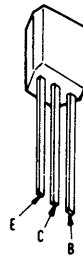
11ES2
HZL-7M1
HZS33-2L
HZS6AIL



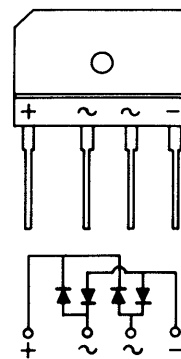
SEL2210S-D



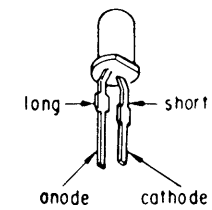
2SC2603-EF
2SC3622A-LK
DTA-124ES
DTC-124ES



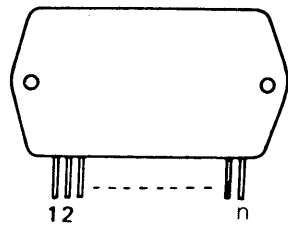
RBV-602-01



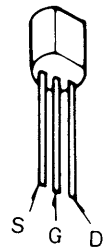
SEL3210S-CD



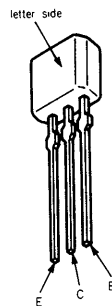
STK-4152MK2K



2SK246-Y



2SA1175-HFE



SECTION 3 EXPLODED VIEWS

NOTE:

- -XX, -X mean standardized parts, so they may have some differences from the original one.
- Color Indication of Appearance Parts
Example:
KNOB, BALANCE(WHITE)...(RED)

↑	↑
Parts color	Cabinet's color

- Items marked " * " are not stocked since they are seldom required for routine service. Some delay should be anticipated when ordering these items.
- The mechanical parts with no reference number in the exploded views are not supplied.
- hardware (#mark) list is given in the last of this parts list.

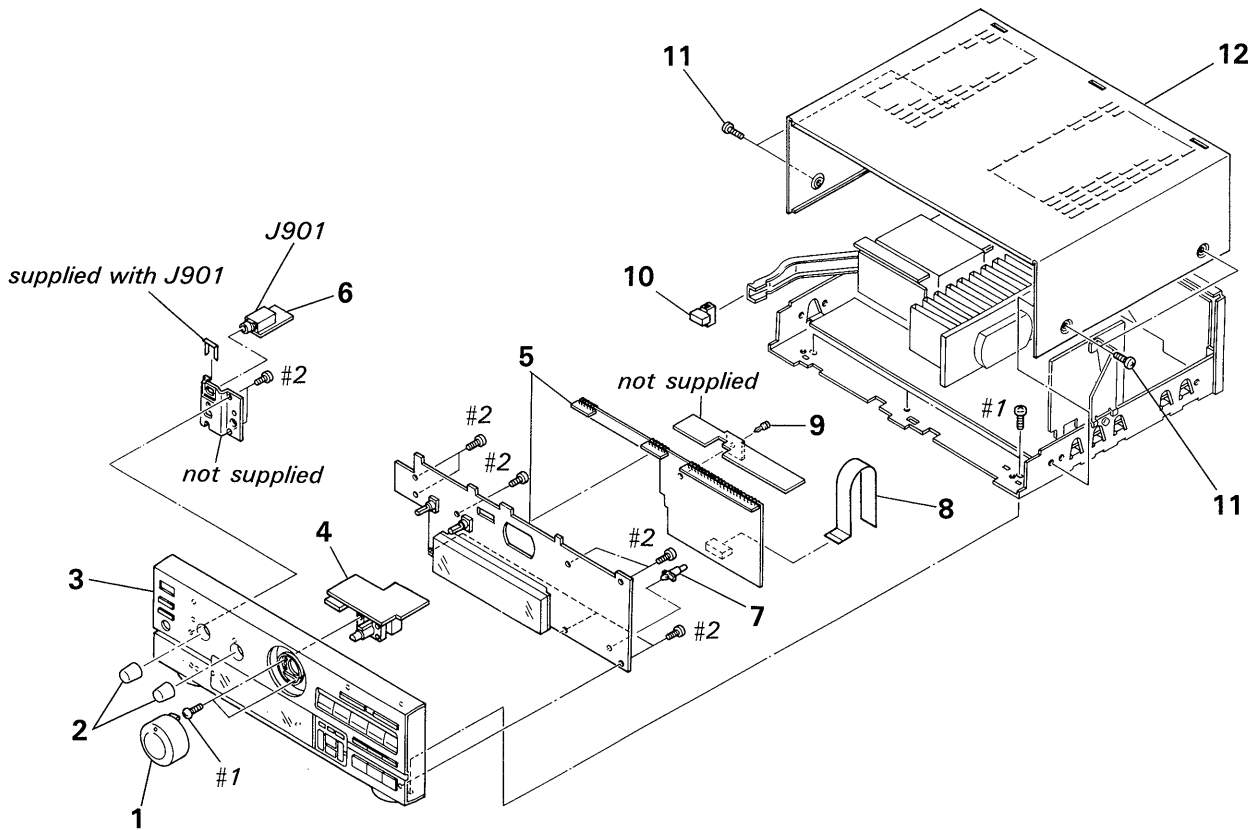
The components identified by mark or dotted line with mark are critical for safety. Replace only with part number specified.

G: Germany

IT: Italian

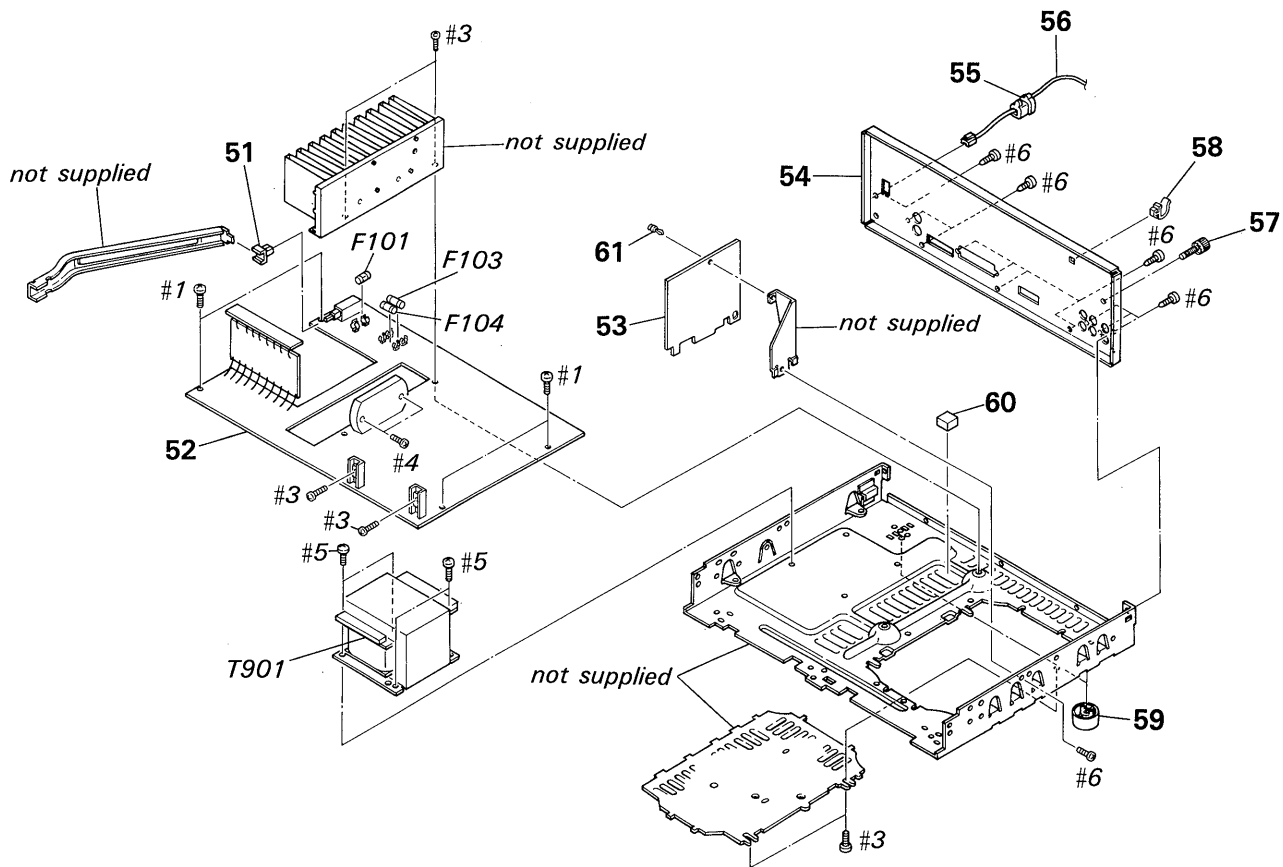
EE: East European

3-1. CABINET SECTION



Ref. No.	Part No.	Description	Remark	Ref. No.	Part No.	Description	Remark
1	X-4942-417-1	KNOB ASSY, ROUND (IT)		* 7	4-924-098-31	HOLDER, PC BOARD	
1	X-4942-418-1	KNOB ASSY, ROUND (AEP, G, EE, UK)		8	1-690-697-11	WIRE (FLAT TYPE) (23 CORE)	
2	4-950-651-01	KNOB (DIA. 16), ROUND (IT)		9	4-812-134-11	RIVET NYLON, 3. 5	
2	4-950-651-11	KNOB (DIA. 16), ROUND (AEP, G, EE, UK)		10	4-942-061-01	BUTTON (P) (IT)	
3	X-4942-431-1	PANEL ASSY, FRONT (AEP, G, EE, UK)		10	4-942-061-11	BUTTON (P) (AEP, G, EE, UK)	
3	X-4942-433-1	PANEL ASSY, FRONT (IT)		11	3-363-099-01	SCREW (CASE +3X8 TP2)	
* 4	1-642-747-11	VOL BOARD		* 12	4-939-803-91	CASE (IT)	
* 5	A-4347-275-A	PANEL BOARD, COMPLETE		* 12	4-949-912-11	CASE (AEP, G, EE, UK)	
* 6	1-642-746-11	H. P. BOARD		J901	1-507-854-00	JACK, PHONE	

3-2. MAIN BOARD SECTION



Ref. No.	Part No.	Description	Remark
	51	4-866-342-00 JOINT (B), KNOB	
*	52	A-4347-265-A MAIN BOARD, COMPLETE (UK)	
*	52	A-4347-266-A MAIN BOARD, COMPLETE (AEP, EE)	
*	52	A-4347-272-A MAIN BOARD, COMPLETE (G, IT)	
*	53	A-4347-276-A GEQ BOARD, COMPLETE	
* 54	4-950-662-11	PANEL (B3120), BACK (AEP, EE)	
* 54	4-950-662-21	PANEL (B3120), BACK (UK)	
* 54	4-950-662-41	PANEL (B3120), BACK (G)	
* 54	4-950-662-51	PANEL (B3120), BACK (IT)	
* 55	3-703-244-00	BUSHING (2104), CORD	
△ 56	1-575-654-11	CORD, POWER (AEP, G, IT, EE)	

Ref. No.	Part No.	Description	Remark
△ 56	1-575-669-21	CORD, POWER (UK)	
57	4-947-010-01	SCREW, FEEDER FIXED	
* 58	4-949-235-01	HOOK	
59	4-931-169-01	FOOT	
* 60	4-932-867-01	CUSHION	
61	4-812-134-11	RIVET NYLON, 3.5	
△ F101	1-532-259-00	FUSE (T1.6A)	
△ F103	1-532-203-00	FUSE (T2.0A)	
△ F104	1-532-203-00	FUSE (T2.0A)	
△ T901	1-450-812-11	TRANSFORMER, POWER	

The components identified by mark △ or dotted line with mark △ are critical for safety. Replace only with part number specified.

SECTION 4 ELECTRICAL PARTS LIST


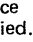
MAIN

NOTE:

- Due to standardization, replacements in the parts list may be different from the parts specified in the diagrams or the components used on the set.
- -XX, -X mean standardized parts, so they may have some differences from the original one.
- RESISTORS
All resistors are in ohms
METAL: Metal-film resistor
METAL OXIDE: Metal Oxide-film resistor
F: nonflammable

- Items marked " * " are not stocked since they are seldom required for routine service. Some delay should be anticipated when ordering these items.
- SEMICONDUCTORS
In each case, u;μ, for example:
uA...: μA..., uPA...: μPA...,
uPB...: μPB..., uPC...: μPC...,
uPD...: μPD...
- CAPACITORS
uF: μF
- COILS
uH: μH

When indication parts by reference number, please include the board name.

The components identified by mark  or dotted line with mark  are critical for safety. Replace only with part number specified.


G: Germany

IT: Italian

EE: East European

Ref. No.	Part No.	Description	Remark
*	A-4347-266-A	MAIN BOARD, COMPLETE (AEP, EE)	
*	A-4347-272-A	MAIN BOARD, COMPLETE (G, IT)	
*	A-4347-265-A	MAIN BOARD, COMPLETE (UK)	

*	1-533-213-31	HOLDER, FUSE	
*	3-309-144-21	HEAT SINK	
*	4-942-204-01	PLATE, GROUND	
	7-682-548-04	SCREW +BVTT 3X8 (S)	
< CAPACITOR >			
C49	1-102-394-11	CERAMIC 0.01uF	250V
C101	1-126-161-11	ELECT 2.2uF 20%	50V
C102	1-162-282-31	CERAMIC 100PF 10%	50V
C103	1-126-022-11	ELECT 47uF 20%	16V
C104	1-106-347-00	MYLAR 1500PF 5%	200V
C105	1-130-480-00	MYLAR 0.0056uF 5%	50V
C106	1-124-464-11	ELECT 0.22uF 20%	50V
C107	1-126-022-11	ELECT 47uF 20%	16V
C108	1-162-286-31	CERAMIC 220PF 10%	50V (G, IT)
C109	1-162-219-31	CERAMIC 68PF 5%	50V
C110	1-162-207-31	CERAMIC 22PF 5%	50V
C112	1-126-163-11	ELECT 4.7uF 20%	50V
C113	1-126-163-11	ELECT 4.7uF 20%	50V
C114	1-162-286-31	CERAMIC 220PF 10%	50V (G, IT)
C115	1-162-286-31	CERAMIC 220PF 10%	50V (G, IT)
C116	1-162-219-31	CERAMIC 68PF 5%	50V
C117	1-162-294-31	CERAMIC 0.001uF 10%	50V
C118	1-126-059-11	ELECT 10uF 20%	50V
C119	1-126-022-11	ELECT 47uF 20%	16V
C138	1-126-059-11	ELECT 10uF 20%	50V
C139	1-162-282-31	CERAMIC 100PF 10%	50V
C140	1-162-286-31	CERAMIC 220PF 10%	50V
C141	1-126-101-11	ELECT 100uF 20%	16V
C143	1-124-910-11	ELECT 47uF 20%	50V

Ref. No.	Part No.	Description	Remark
C144	1-136-163-00	FILM 0.068uF 5%	50V
C145	1-136-163-00	FILM 0.068uF 5%	50V
C146	1-136-163-00	FILM 0.068uF 5%	50V (G, IT)
C147	1-136-163-00	FILM 0.068uF 5%	50V (G, IT)
C148	1-161-494-00	CERAMIC 0.022uF	25V
C155	1-162-286-31	CERAMIC 220PF 10%	50V (G, IT)
C157	1-136-161-00	FILM 0.047uF 5%	50V
C170	1-126-049-11	ELECT 22uF 20%	25V
 C199	1-161-744-00	CERAMIC 0.01uF	400V
C201	1-126-161-11	ELECT 2.2uF 20%	50V
C202	1-162-282-31	CERAMIC 100PF 10%	50V
C203	1-126-022-11	ELECT 47uF 20%	16V
C204	1-106-347-00	MYLAR 1500PF 5%	200V
C205	1-130-480-00	MYLAR 0.0056uF 5%	50V
C206	1-124-464-11	ELECT 0.22uF 20%	50V
C207	1-126-022-11	ELECT 47uF 20%	16V
C208	1-162-286-31	CERAMIC 220PF 10%	50V (G, IT)
C209	1-162-219-31	CERAMIC 68PF 5%	50V
C210	1-162-207-31	CERAMIC 22PF 5%	50V
C212	1-126-163-11	ELECT 4.7uF 20%	50V
C213	1-126-163-11	ELECT 4.7uF 20%	50V
C214	1-162-286-31	CERAMIC 220PF 10%	50V (G, IT)
C215	1-162-286-31	CERAMIC 220PF 10%	50V (G, IT)
C216	1-162-219-31	CERAMIC 68PF 5%	50V
C217	1-162-294-31	CERAMIC 0.001uF 10%	50V
C218	1-126-059-11	ELECT 10uF 20%	50V
C219	1-126-022-11	ELECT 47uF 20%	16V
C238	1-126-059-11	ELECT 10uF 20%	50V
C239	1-162-282-31	CERAMIC 100PF 10%	50V
C240	1-162-286-31	CERAMIC 220PF 10%	50V
C241	1-126-101-11	ELECT 100uF 20%	16V
C243	1-124-910-11	ELECT 47uF 20%	50V
C244	1-136-163-00	FILM 0.068uF 5%	50V

MAIN



Ref. No.	Part No.	Description	Remark
D116	8-719-200-82	DIODE 11ES2 (UK)	
D117	8-719-200-82	DIODE 11ES2 (UK)	
D118	8-719-200-82	DIODE 11ES2	
D119	8-719-014-66	DIODE UZP-5. 6B	
D120	8-719-815-85	DIODE 1S1585	
D121	8-719-815-85	DIODE 1S1585	
D122	8-719-815-85	DIODE 1S1585	
D123	8-719-815-85	DIODE 1S1585	
D124	8-719-815-85	DIODE 1S1585	
D125	8-719-000-84	DIODE UZL-7M1	
D126	8-719-000-84	DIODE UZL-7M1	
D128	8-719-815-85	DIODE 1S1585	
D218	8-719-000-81	DIODE UZL-7L3	
D221	8-719-000-84	DIODE UZL-7M1	
D222	8-719-000-84	DIODE UZL-7M1	
D862	8-719-987-63	DIODE 1N4148M	
D863	8-719-987-63	DIODE 1N4148M	
< FUSE >			
△ F101	1-532-259-00	FUSE (T1. 6A)	
△ F103	1-532-203-00	FUSE (T2. 0A)	
△ F104	1-532-203-00	FUSE (T2. 0A)	
< IC >			
IC101	8-759-604-86	IC M5F7807L	
IC102	8-759-604-90	IC M5F7907L	
IC103	8-749-920-09	IC STK-4152MK2K	
IC104	8-759-000-48	IC MC14052BCP	
IC105	8-759-140-53	IC MC14053BC	
IC106	8-759-634-50	IC M5218AL	
IC107	8-759-634-50	IC M5218AL	
IC108	8-759-000-48	IC MC14052BCP	
IC109	8-759-140-53	IC MC14053BCP	
IC110	8-759-000-48	IC MC14052BCP	
IC121	8-759-111-68	IC uPC1237HA	
IC122	8-759-710-73	IC NJM4580L	
IC855	8-759-634-50	IC M5218AL	
< LINK, IC >			
△ ICP101	1-532-842-11	LINK, IC	
△ ICP102	1-532-842-11	LINK, IC	
< COIL >			
* L10	1-420-872-00	COIL, AIR CORE 1.9uH (G, IT)	
* L11	1-420-872-00	COIL, AIR CORE 1.9uH (G, IT)	
* L101	1-420-872-00	COIL, AIR CORE 1.9uH	
* L102	1-420-872-00	COIL, AIR CORE 1.9uH	

Ref. No.	Part No.	Description	Remark
< TRANSISTOR >			
Q101	8-729-141-83	TRANSISTOR 2SB1094-LK	
Q102	8-729-900-63	TRANSISTOR DTA124ES	
Q103	8-729-140-84	TRANSISTOR 2SC1841-PAFAEA	
Q104	8-729-140-84	TRANSISTOR 2SC1841-PAFAEA	
Q853	8-729-900-63	TRANSISTOR DTA124ES	
Q854	8-729-119-76	TRANSISTOR 2SA1175-HFE	
Q855	8-729-224-61	TRANSISTOR 2SK246-Y	
Q856	8-729-620-05	TRANSISTOR 2SC2603-EF	
Q857	8-729-224-61	TRANSISTOR 2SK246-Y	
Q858	8-729-620-05	TRANSISTOR 2SC2603-EF	
Q859	8-729-141-26	TRANSISTOR 2SC3622A-LK	
Q860	8-729-141-26	TRANSISTOR 2SC3622A-LK	
< RESISTOR >			
R71	1-249-425-11	CARBON 4.7K 5% 1/4W (AEP, G, IT, EE)	
R72	1-249-425-11	CARBON 4.7K 5% 1/4W (AEP, G, IT, EE)	
R101	1-249-417-11	CARBON 1K 5% 1/4W	
R102	1-249-417-11	CARBON 1K 5% 1/4W (G, IT)	
R103	1-249-441-11	CARBON 100K 5% 1/4W	
R104	1-249-441-11	CARBON 100K 5% 1/4W	
R105	1-249-415-11	CARBON 680 5% 1/4W	
R106	1-249-437-11	CARBON 47K 5% 1/4W	
R107	1-247-897-11	CARBON 560K 5% 1/4W	
R108	1-249-417-11	CARBON 1K 5% 1/4W	
R109	1-249-409-11	CARBON 220 5% 1/4W	
R110	1-249-421-11	CARBON 2.2K 5% 1/4W	
R111	1-249-428-11	CARBON 8.2K 5% 1/4W	
R112	1-249-417-11	CARBON 1K 5% 1/4W	
R113	1-247-903-00	CARBON 1M 5% 1/4W	
R114	1-249-417-11	CARBON 1K 5% 1/4W	
R115	1-249-417-11	CARBON 1K 5% 1/4W	
R116	1-249-413-11	CARBON 470 5% 1/4W	
R118	1-249-437-11	CARBON 47K 5% 1/4W	
R119	1-249-437-11	CARBON 47K 5% 1/4W	
R120	1-249-441-11	CARBON 100K 5% 1/4W	
R121	1-249-425-11	CARBON 4.7K 5% 1/4W (AEP, G, IT, EE)	
R122	1-249-427-11	CARBON 6.8K 5% 1/4W (AEP, G, IT, EE)	
R123	1-249-432-11	CARBON 18K 5% 1/4W (AEP, G, IT, EE)	
R124	1-249-421-11	CARBON 2.2K 5% 1/4W	
R125	1-249-441-11	CARBON 100K 5% 1/4W	
R126	1-249-429-11	CARBON 10K 5% 1/4W	
R136	1-249-441-11	CARBON 100K 5% 1/4W	
R137	1-249-417-11	CARBON 1K 5% 1/4W	
R138	1-249-438-11	CARBON 56K 5% 1/4W	
R139	1-249-438-11	CARBON 56K 5% 1/4W	
R140	1-247-756-11	CARBON 2.2K 5% 1/2W	
R142	1-247-756-11	CARBON 2.2K 5% 1/2W	

The components identified by mark △ or dotted line with mark △ are critical for safety. Replace only with part number specified.

MAIN

Ref. No.	Part No.	Description	Remark	Ref. No.	Part No.	Description	Remark
△R144	1-217-156-00	RES, METAL PLATE	0.22 5W F	R250	1-247-727-11	CARBON	10 5% 1/2W
R145	1-247-727-11	CARBON	10 5% 1/2W	△R252	1-215-918-00	METAL OXIDE	1.5K 5% 3W F
R147	1-249-417-11	CARBON	1K 5% 1/4W	R253	1-247-727-11	CARBON	10 5% 1/2W (G, IT)
R148	1-249-431-11	CARBON	15K 5% 1/4W	R254	1-249-441-11	CARBON	100K 5% 1/4W
R149	1-249-437-11	CARBON	47K 5% 1/4W	R256	1-249-414-11	CARBON	560 5% 1/4W
R150	1-247-727-11	CARBON	10 5% 1/2W	R257	1-249-441-11	CARBON	100K 5% 1/4W
△R152	1-215-918-00	METAL OXIDE	1.5K 5% 3W F	R301	1-249-433-11	CARBON	22K 5% 1/4W
R153	1-247-727-11	CARBON	10 5% 1/2W (G, IT)	R302	1-249-433-11	CARBON	22K 5% 1/4W
R156	1-249-414-11	CARBON	560 5% 1/4W	R303	1-249-433-11	CARBON	22K 5% 1/4W
R157	1-249-441-11	CARBON	100K 5% 1/4W	R304	1-249-433-11	CARBON	22K 5% 1/4W
R191	1-212-958-00	FUSIBLE	10 5% 1/2W F (UK)	R305	1-249-429-11	CARBON	10K 5% 1/4W
R192	1-212-958-00	FUSIBLE	10 5% 1/2W F (UK)	R307	1-249-415-11	CARBON	680 5% 1/4W
△R193	1-212-934-00	FUSIBLE	1 5% 1/2W F	R308	1-249-429-11	CARBON	10K 5% 1/4W
R201	1-249-417-11	CARBON	1K 5% 1/4W	R309	1-249-429-11	CARBON	10K 5% 1/4W
R202	1-249-417-11	CARBON	1K 5% 1/4W (G, IT)	R310	1-249-432-11	CARBON	18K 5% 1/4W
R203	1-249-441-11	CARBON	100K 5% 1/4W	R311	1-249-435-11	CARBON	33K 5% 1/4W
R205	1-249-415-11	CARBON	680 5% 1/4W	R312	1-249-433-11	CARBON	22K 5% 1/4W
R206	1-249-437-11	CARBON	47K 5% 1/4W	R313	1-249-433-11	CARBON	22K 5% 1/4W
R207	1-247-897-11	CARBON	560K 5% 1/4W	R316	1-247-752-11	CARBON	1K 5% 1/2W
R208	1-249-417-11	CARBON	1K 5% 1/4W	R318	1-247-752-11	CARBON	1K 5% 1/2W
R209	1-249-409-11	CARBON	220 5% 1/4W	△R320	1-212-881-11	FUSIBLE	100 5% 1/4W F
R210	1-249-421-11	CARBON	2.2K 5% 1/4W	△R321	1-212-881-11	FUSIBLE	100 5% 1/4W F
R211	1-249-428-11	CARBON	8.2K 5% 1/4W	△R322	1-215-891-11	METAL OXIDE	680 5% 2W F
R212	1-249-417-11	CARBON	1K 5% 1/4W	R323	1-249-429-11	CARBON	10K 5% 1/4W
R213	1-247-903-00	CARBON	1M 5% 1/4W	R324	1-249-427-11	CARBON	6.8K 5% 1/4W
R214	1-249-417-11	CARBON	1K 5% 1/4W	R325	1-249-427-11	CARBON	6.8K 5% 1/4W
R215	1-249-417-11	CARBON	1K 5% 1/4W	R326	1-249-437-11	CARBON	47K 5% 1/4W
R216	1-249-413-11	CARBON	470 5% 1/4W	R327	1-249-441-11	CARBON	100K 5% 1/4W
R218	1-249-437-11	CARBON	47K 5% 1/4W	R328	1-247-760-11	CARBON	4.7K 5% 1/2W
R219	1-249-437-11	CARBON	47K 5% 1/4W	R329	1-249-421-11	CARBON	2.2K 5% 1/4W
R220	1-249-441-11	CARBON	100K 5% 1/4W	R341	1-249-433-11	CARBON	22K 5% 1/4W
R221	1-249-425-11	CARBON	4.7K 5% 1/4W (AEP, G, IT, EE)	R342	1-249-425-11	CARBON	4.7K 5% 1/4W
R222	1-249-427-11	CARBON	6.8K 5% 1/4W (AEP, G, IT, EE)	R348	1-249-433-11	CARBON	22K 5% 1/4W
R223	1-249-432-11	CARBON	18K 5% 1/4W (AEP, G, IT, EE)	R349	1-249-433-11	CARBON	22K 5% 1/4W
R224	1-249-421-11	CARBON	2.2K 5% 1/4W	R352	1-249-437-11	CARBON	47K 5% 1/4W
R225	1-249-441-11	CARBON	100K 5% 1/4W	R410	1-249-435-11	CARBON	33K 5% 1/4W
R226	1-249-429-11	CARBON	10K 5% 1/4W	R411	1-249-435-11	CARBON	33K 5% 1/4W
R236	1-249-441-11	CARBON	100K 5% 1/4W	R412	1-249-426-11	CARBON	5.6K 5% 1/4W
R237	1-249-417-11	CARBON	1K 5% 1/4W	R851	1-249-417-11	CARBON	1K 5% 1/4W
R238	1-249-438-11	CARBON	56K 5% 1/4W	R852	1-249-441-11	CARBON	100K 5% 1/4W
R239	1-249-438-11	CARBON	56K 5% 1/4W	R853	1-249-425-11	CARBON	4.7K 5% 1/4W
R240	1-247-756-11	CARBON	2.2K 5% 1/2W	R854	1-249-425-11	CARBON	4.7K 5% 1/4W
R242	1-247-756-11	CARBON	2.2K 5% 1/2W	R855	1-249-412-11	CARBON	390 5% 1/4W
△R244	1-217-156-00	RES, METAL PLATE	0.22 5W F	R857	1-249-418-11	CARBON	1.2K 5% 1/4W
R245	1-247-727-11	CARBON	10 5% 1/2W	R858	1-249-438-11	CARBON	56K 5% 1/4W
R247	1-249-417-11	CARBON	1K 5% 1/4W	R859	1-249-429-11	CARBON	10K 5% 1/4W
R248	1-249-431-11	CARBON	15K 5% 1/4W	R860	1-249-429-11	CARBON	10K 5% 1/4W
R249	1-249-438-11	CARBON	56K 5% 1/4W	R861	1-249-417-11	CARBON	1K 5% 1/4W
				R862	1-249-441-11	CARBON	100K 5% 1/4W

The components identified by mark  or dotted line with mark  are critical for safety. Replace only with part number specified.

MAIN **PANEL** **GEQ** **H. P.** **VOL**

Ref. No.	Part No.	Description	Remark		
R863	1-249-425-11	CARBON	4.7K	5%	1/4W
R864	1-249-425-11	CARBON	4.7K	5%	1/4W
R865	1-249-412-11	CARBON	390	5%	1/4W
R867	1-249-418-11	CARBON	1.2K	5%	1/4W
R868	1-249-438-11	CARBON	56K	5%	1/4W
R869	1-249-429-11	CARBON	10K	5%	1/4W
R870	1-247-887-00	CARBON	220K	5%	1/4W
R871	1-249-433-11	CARBON	22K	5%	1/4W
R872	1-249-423-11	CARBON	3.3K	5%	1/4W
R873	1-249-423-11	CARBON	3.3K	5%	1/4W
R876	1-249-417-11	CARBON	1K	5%	1/4W
R878	1-247-887-00	CARBON	220K	5%	1/4W
△R1076	1-212-940-00	FUSIBLE	1.8	5%	1/2W F (UK)
△R1077	1-212-940-00	FUSIBLE	1.8	5%	1/2W F (UK)
< RELAY >					
RY101	1-515-765-11	RELAY			
< SWITCH >					
△S101	1-554-920-51	SWITCH, PUSH (AC POWER) (1 KEY)			
< TERMINAL BOARD >					
TB101	1-537-238-11	TERMINAL BOARD			

*	A-4347-257-A	PANEL BOARD, COMPLETE			

*	A-4347-276-A	GEQ BOARD, COMPLETE			

*	1-642-746-11	H. P. BOARD			

*	1-642-747-11	VOL BOARD			

*	4-921-941-01	CUSHION (FL)			
*	4-923-103-01	HOLDER, FL TUBE			
*	4-950-658-01	HOLDER (FU), LED			

*	4-950-660-01	HOLDER, LED			
< CAPACITOR >					
C50	1-124-257-00	ELECT	2.2uF	20%	50V
C120	1-126-022-11	ELECT	47uF	20%	16V
C121	1-126-059-11	ELECT	10uF	20%	50V
C122	1-162-286-31	CERAMIC	220PF	10%	50V
C123	1-106-359-00	MYLAR	4700PF	5%	200V
C124	1-110-340-11	MYLAR	270PF	5%	50V
C125	1-136-154-00	FILM	0.012uF	5%	50V
C126	1-130-469-00	MYLAR	680PF	5%	50V
C127	1-136-159-00	FILM	0.033uF	5%	50V
C128	1-130-474-00	MYLAR	0.0018uF	5%	50V

Ref. No.	Part No.	Description	Remark		
C129	1-136-163-00	FILM	0.068uF	5%	50V
C130	1-130-478-00	MYLAR	0.0039uF	5%	50V
C131	1-136-168-00	FILM	0.18uF	5%	50V
C132	1-136-153-00	FILM	0.01uF	5%	50V
C133	1-136-163-00	FILM	0.068uF	5%	50V
C134	1-126-301-11	ELECT	1uF	20%	50V
C135	1-136-158-00	FILM	0.027uF	5%	50V
C136	1-126-300-11	ELECT	0.47uF	20%	50V
C137	1-162-207-31	CERAMIC	22PF	5%	50V
C210	1-126-022-11	ELECT	47uF	20%	16V
C221	1-126-059-11	ELECT	10uF	20%	50V
C222	1-162-286-31	CERAMIC	220PF	10%	50V
C223	1-106-359-00	MYLAR	4700PF	5%	200V
C224	1-110-340-11	MYLAR	270PF	5%	50V
C225	1-136-154-00	FILM	0.012uF	5%	50V
C226	1-130-469-00	MYLAR	680PF	5%	50V
C228	1-130-474-00	MYLAR	0.0018uF	5%	50V
C229	1-136-163-00	FILM	0.068uF	5%	50V
C230	1-130-478-00	MYLAR	0.0039uF	5%	50V
C231	1-136-168-00	FILM	0.18uF	5%	50V
C232	1-136-153-00	FILM	0.01uF	5%	50V
C233	1-136-163-00	FILM	0.068uF	5%	50V
C234	1-126-301-11	ELECT	1uF	20%	50V
C235	1-136-158-00	FILM	0.027uF	5%	50V
C236	1-126-300-11	ELECT	0.47uF	20%	50V
C237	1-162-207-31	CERAMIC	22PF	5%	50V
C277	1-136-159-00	FILM	0.033uF	5%	50V
C308	1-164-159-11	CERAMIC	0.1uF		50V
C351	1-164-159-11	CERAMIC	0.1uF		50V
C352	1-126-049-11	ELECT	22uF	20%	25V
C375	1-164-159-11	CERAMIC	0.1uF		50V
C418	1-164-159-11	CERAMIC	0.1uF		50V
C419	1-136-153-00	FILM	0.01uF	5%	50V
C420	1-162-294-31	CERAMIC	0.001uF	10%	50V
C422	1-125-486-11	DOUBLE LAYERS	0.22F		5.5V
C423	1-161-494-00	CERAMIC	0.022uF		25V
C424	1-164-159-11	CERAMIC	0.1uF		50V
C425	1-126-049-11	ELECT	22uF	20%	25V
C426	1-161-494-00	CERAMIC	0.022uF		25V
C427	1-161-494-00	CERAMIC	0.022uF		25V
C428	1-126-059-11	ELECT	10uF	20%	50V
C429	1-126-059-11	ELECT	10uF	20%	50V
C430	1-161-494-00	CERAMIC	0.022uF		25V
C431	1-161-494-00	CERAMIC	0.022uF		25V
C432	1-162-294-31	CERAMIC	0.001uF	10%	50V
C433	1-126-059-11	ELECT	10uF	20%	50V
C434	1-126-059-11	ELECT	10uF	20%	50V
C435	1-161-374-11	CERAMIC	0.0015uF	20%	50V
C436	1-161-494-00	CERAMIC	0.022uF		25V

The components identified by mark **△** or dotted line with mark **△** are critical for safety. Replace only with part number specified.

PANEL

GEO

H. P.

VOL

Ref. No.	Part No.	Description	Remark
C437	1-124-994-11	ELECT 100uF	20% 10V
C444	1-126-049-11	ELECT 22uF	20% 25V
C601	1-136-165-00	FILM 0.1uF	5% 50V
C602	1-126-022-11	ELECT 47uF	20% 16V
C603	1-126-022-11	ELECT 47uF	20% 16V
C995	1-126-301-11	ELECT 1uF	20% 50V
< CONNECTOR >			
* CN191	1-573-979-11	CONNECTOR, BOARD TO BOARD 11P	
* CN502	1-568-839-11	SOCKET, CONNECTOR 23P	
* CN503	1-568-322-11	PLUG, CONNECTOR 10P	
CN601	1-568-321-11	SOCKET, CONNECTOR 10P	
* CN609	1-564-339-00	PIN, CONNECTOR 5P	
< COMPOSITION CIRCUIT BLOCK >			
CP501	1-239-054-11	COMPOSITION CIRCUIT BLOCK	
CP502	1-239-054-11	COMPOSITION CIRCUIT BLOCK	
CP503	1-239-054-11	COMPOSITION CIRCUIT BLOCK	
CP504	1-239-054-11	COMPOSITION CIRCUIT BLOCK	
< DIODE >			
D55	8-719-200-82	DIODE 11ES2	
D127	8-719-000-54	DIODE UZL-6L3	
D501	8-719-987-63	DIODE 1N4148M	
D502	8-719-200-82	DIODE 11ES2	
D503	8-719-200-82	DIODE 11ES2	
D505	8-719-000-60	DIODE UZL-6M2	
D506	8-719-987-63	DIODE 1N4148M	
D507	8-719-987-63	DIODE 1N4148M	
D508	8-719-987-63	DIODE 1N4148M	
D509	8-719-987-63	DIODE 1N4148M	
D510	8-719-987-63	DIODE 1N4148M	
D511	8-719-987-63	DIODE 1N4148M	
D512	8-719-987-63	DIODE 1N4148M	
D521	8-719-301-39	LED SEL2210S-D	
D522	8-719-301-39	LED SEL2210S-D	
D523	8-719-301-39	LED SEL2210S-D	
D524	8-719-301-39	LED SEL2210S-D	
D525	8-719-301-39	LED SEL2210S-D	
D526	8-719-301-39	LED SEL2210S-D	
D527	8-719-301-39	LED SEL2210S-D	
D528	8-719-301-39	LED SEL2210S-D	
D529	8-719-301-39	LED SEL2210S-D	
D530	8-719-301-39	LED SEL2210S-D	
D531	8-719-301-39	LED SEL2210S-D	
D532	8-719-301-39	LED SEL2210S-D	
D533	8-719-301-39	LED SEL2210S-D	
D534	8-719-301-39	LED SEL2210S-D	
D535	8-719-313-69	DIODE SEL3210S-CD	

Ref. No.	Part No.	Description	Remark
D536	8-719-313-69	DIODE SEL3210S-CD	
D537	8-719-313-69	DIODE SEL3210S-CD	
D538	8-719-313-69	DIODE SEL3210S-CD	
D539	8-719-313-69	DIODE SEL3210S-CD	
D540	8-719-313-69	DIODE SEL3210S-CD	
D541	8-719-313-69	DIODE SEL3210S-CD	
D542	8-719-313-69	DIODE SEL3210S-CD	
D550	8-719-313-69	DIODE SEL3210S-CD	
D551	8-719-987-63	DIODE 1N4148M	
D552	8-719-987-63	DIODE 1N4148M	
D553	8-719-987-63	DIODE 1N4148M	
D554	8-719-987-63	DIODE 1N4148M	
D554	8-719-987-63	DIODE 1N4148M	
D566	8-719-987-63	DIODE 1N4148M	
D601	8-719-200-82	DIODE 11ES2	
D603	8-719-933-33	DIODE HZS6A1L	
< FLUORESCENT INDICATOR >			
FL501	1-519-648-31	INDICATOR TUBE, FLUORESCENT	
< IC >			
IC111	8-759-633-78	IC M5289P	
IC112	8-759-822-26	IC LC7522K	
IC113	8-759-633-78	IC M5289P	
IC501	8-759-635-63	IC M51943BSL	
IC502	8-759-066-29	IC uPD75108CW-C98	
IC503	8-759-822-27	IC LC7565K	
IC504	8-759-991-11	IC XR1091DCP	
IC601	8-759-820-62	IC LB1639	
< JACK >			
J901	1-507-854-00	JACK, PHONE (HEADPHONES)	
< COIL >			
L501	1-408-121-00	INDUCTOR 22uH	
< TRANSISTOR >			
Q501	8-729-620-05	TRANSISTOR 2SC2603-EF	
Q502	8-729-620-05	TRANSISTOR 2SC2603-EF	
Q511	8-729-900-36	TRANSISTOR DTC124ES	
Q513	8-729-900-63	TRANSISTOR DTA124ES	
Q514	8-729-900-63	TRANSISTOR DTA124ES	
Q515	8-729-119-76	TRANSISTOR 2SA1175-HFE	
Q516	8-729-620-05	TRANSISTOR 2SC2603-EF	
Q517	8-729-620-05	TRANSISTOR 2SC2603-EF	
Q518	8-729-620-05	TRANSISTOR 2SC2603-EF	
Q519	8-729-620-05	TRANSISTOR 2SC2603-EF	

PANEL	GEQ	H. P.	VOL
-------	-----	-------	-----

Ref. No.	Part No.	Description	Remark	Ref. No.	Part No.	Description	Remark
Q520	8-729-620-05	TRANSISTOR	2SC2603-EF	R529	1-249-424-11	CARBON	3.9K 5% 1/4W
Q521	8-729-620-05	TRANSISTOR	2SC2603-EF	R530	1-249-417-11	CARBON	1K 5% 1/4W
Q530	8-729-900-36	TRANSISTOR	DTC124ES				
Q555	8-729-900-63	TRANSISTOR	DTA124ES	R532	1-249-421-11	CARBON	2.2K 5% 1/4W
		< RESISTOR >		R533	1-249-421-11	CARBON	2.2K 5% 1/4W
R40	1-249-421-11	CARBON	2.2K 5% 1/4W	R534	1-249-441-11	CARBON	100K 5% 1/4W
R127	1-247-852-11	CARBON	7.5K 5% 1/4W	R535	1-249-441-11	CARBON	100K 5% 1/4W
R128	1-247-903-00	CARBON	1M 5% 1/4W	R536	1-249-417-11	CARBON	1K 5% 1/4W
R129	1-247-903-00	CARBON	1M 5% 1/4W	R537	1-249-417-11	CARBON	1K 5% 1/4W
R130	1-247-903-00	CARBON	1M 5% 1/4W	R538	1-249-417-11	CARBON	1K 5% 1/4W
				R539	1-249-417-11	CARBON	1K 5% 1/4W
R131	1-247-903-00	CARBON	1M 5% 1/4W	R540	1-249-417-11	CARBON	1K 5% 1/4W
R132	1-247-903-00	CARBON	1M 5% 1/4W	R541	1-249-417-11	CARBON	1K 5% 1/4W
R133	1-247-903-00	CARBON	1M 5% 1/4W	R542	1-249-417-11	CARBON	1K 5% 1/4W
R134	1-247-903-00	CARBON	1M 5% 1/4W	R544	1-249-417-11	CARBON	1K 5% 1/4W
R135	1-247-852-11	CARBON	7.5K 5% 1/4W	R545	1-249-429-11	CARBON	10K 5% 1/4W
				R546	1-249-417-11	CARBON	1K 5% 1/4W
R227	1-247-852-11	CARBON	7.5K 5% 1/4W	R547	1-249-429-11	CARBON	10K 5% 1/4W
R228	1-247-903-00	CARBON	1M 5% 1/4W				
R229	1-247-903-00	CARBON	1M 5% 1/4W	R548	1-249-429-11	CARBON	10K 5% 1/4W
R230	1-247-903-00	CARBON	1M 5% 1/4W	R549	1-249-417-11	CARBON	1K 5% 1/4W
R231	1-247-903-00	CARBON	1M 5% 1/4W	R550	1-249-417-11	CARBON	1K 5% 1/4W
				R551	1-249-435-11	CARBON	33K 5% 1/4W
R232	1-247-903-00	CARBON	1M 5% 1/4W	R552	1-249-437-11	CARBON	47K 5% 1/4W
R233	1-247-903-00	CARBON	1M 5% 1/4W				
R234	1-247-903-00	CARBON	1M 5% 1/4W	R553	1-249-429-11	CARBON	10K 5% 1/4W
R235	1-247-852-11	CARBON	7.5K 5% 1/4W	R554	1-249-437-11	CARBON	47K 5% 1/4W
R314	1-249-417-11	CARBON	1K 5% 1/4W	R555	1-249-429-11	CARBON	10K 5% 1/4W
				R556	1-247-903-00	CARBON	1M 5% 1/4W
R315	1-249-417-11	CARBON	1K 5% 1/4W	R561	1-249-410-11	CARBON	270 5% 1/4W
R346	1-249-425-11	CARBON	4.7K 5% 1/4W				
R399	1-249-405-11	CARBON	100 5% 1/4W	R562	1-249-411-11	CARBON	330 5% 1/4W
R408	1-249-405-11	CARBON	100 5% 1/4W	R563	1-249-411-11	CARBON	330 5% 1/4W
R409	1-249-419-11	CARBON	1.5K 5% 1/4W	R564	1-249-411-11	CARBON	330 5% 1/4W
				R565	1-249-410-11	CARBON	270 5% 1/4W
R413	1-249-441-11	CARBON	100K 5% 1/4W	R566	1-249-411-11	CARBON	330 5% 1/4W
R414	1-249-432-11	CARBON	18K 5% 1/4W				
R415	1-247-891-00	CARBON	330K 5% 1/4W	R567	1-249-411-11	CARBON	330 5% 1/4W
R416	1-249-425-11	CARBON	4.7K 5% 1/4W	R568	1-249-411-11	CARBON	330 5% 1/4W
R417	1-249-437-11	CARBON	47K 5% 1/4W	R569	1-249-410-11	CARBON	270 5% 1/4W
				R570	1-249-410-11	CARBON	270 5% 1/4W
R418	1-247-891-00	CARBON	330K 5% 1/4W	R571	1-249-410-11	CARBON	270 5% 1/4W
R421	1-249-433-11	CARBON	22K 5% 1/4W				
R422	1-249-411-11	CARBON	330 5% 1/4W	R572	1-249-410-11	CARBON	270 5% 1/4W
R423	1-249-417-11	CARBON	1K 5% 1/4W	R573	1-249-399-11	CARBON	33 5% 1/4W
R424	1-247-903-00	CARBON	1M 5% 1/4W	R574	1-249-399-11	CARBON	33 5% 1/4W
				R575	1-249-399-11	CARBON	33 5% 1/4W
R499	1-249-417-11	CARBON	1K 5% 1/4W	R576	1-249-399-11	CARBON	33 5% 1/4W
R521	1-249-425-11	CARBON	4.7K 5% 1/4W				
R522	1-249-425-11	CARBON	4.7K 5% 1/4W	R577	1-249-399-11	CARBON	33 5% 1/4W
R524	1-249-417-11	CARBON	1K 5% 1/4W	R578	1-249-411-11	CARBON	330 5% 1/4W
R525	1-249-425-11	CARBON	4.7K 5% 1/4W	R579	1-249-411-11	CARBON	330 5% 1/4W
				R580	1-249-411-11	CARBON	330 5% 1/4W
R526	1-249-429-11	CARBON	10K 5% 1/4W	R581	1-249-411-11	CARBON	330 5% 1/4W
R527	1-249-393-11	CARBON	10 5% 1/4W				
R528	1-249-417-11	CARBON	1K 5% 1/4W	R582	1-249-411-11	CARBON	330 5% 1/4W

PANEL **GEQ** **H. P.** **VOL**

Ref. No.	Part No.	Description	Remark
R586	1-249-425-11	CARBON	4. 7K 5% 1/4W
R588	1-249-425-11	CARBON	4. 7K 5% 1/4W
R589	1-249-425-11	CARBON	4. 7K 5% 1/4W
R595	1-249-437-11	CARBON	47K 5% 1/4W
R596	1-249-437-11	CARBON	47K 5% 1/4W
R597	1-249-437-11	CARBON	47K 5% 1/4W
R598	1-249-437-11	CARBON	47K 5% 1/4W
R599	1-249-417-11	CARBON	1K 5% 1/4W
R601	1-249-412-11	CARBON	390 5% 1/4W
R602	1-249-425-11	CARBON	4. 7K 5% 1/4W
R603	1-249-429-11	CARBON	10K 5% 1/4W
R604	1-249-429-11	CARBON	10K 5% 1/4W
R605	1-249-401-11	CARBON	47 5% 1/4W
R607	1-247-830-11	CARBON	910 5% 1/4W
R901	1-247-747-11	CARBON	470 5% 1/2W
R911	1-247-747-11	CARBON	470 5% 1/2W
R1599	1-249-425-11	CARBON	4. 7K 5% 1/4W
< VARIABLE RESISTOR >			
RV501	1-238-459-11	RES. VAR. CARBON 100K (BALANCE)	
RV502	1-241-307-11	RES. VAR. CAREBON 10K/10K (DBFB LEVEL)	
RV601	1-238-708-21	RES. VAR. CARBON 10K/100K/100K (VOLUME)	
< SWITCH >			
S501	1-554-303-21	SWITCH, TACTILE (EQ-REC)	
S502	1-554-303-21	SWITCH, TACTILE (TUNER)	
S503	1-554-303-21	SWITCH, TACTILE (EQ)	
S504	1-554-303-21	SWITCH, TACTILE (SURROUND MODE)	
S505	1-554-303-21	SWITCH, TACTILE (MEMORY)	
S511	1-554-303-21	SWITCH, TACTILE (DBFB)	
S512	1-554-303-21	SWITCH, TACTILE (CD)	
S513	1-554-303-21	SWITCH, TACTILE (PERSONAL FILE 1-5)	
S514	1-554-303-21	SWITCH, TACTILE (<)	
S515	1-554-303-21	SWITCH, TACTILE (REVRSE)	
S516	1-554-303-21	SWITCH, TACTILE (SURROUND LEVEL)	
S521	1-554-303-21	SWITCH, TACTILE (EFFECT)	
S522	1-554-303-21	SWITCH, TACTILE (TAPE)	
S523	1-554-303-21	SWITCH, TACTILE (SELECT 10)	
S524	1-554-303-21	SWITCH, TACTILE (Δ)	
S525	1-554-303-21	SWITCH, TACTILE (FLAT)	
S526	1-554-303-21	SWITCH, TACTILE (PHONO)	
S532	1-554-303-21	SWITCH, TACTILE (VIDEO)	
S533	1-554-303-21	SWITCH, TACTILE (▽)	
S534	1-554-303-21	SWITCH, TACTILE (▷)	
S535	1-554-303-21	SWITCH, TACTILE (DISPLAY)	
S536	1-554-303-21	SWITCH, TACTILE (PROGRAM FUNKTION)	

Ref. No.	Part No.	Description	Remark
< VIBRATOR >			
X501	1-577-359-21	VIBRATOR, CERAMIC (4, 19MHZ)	

MISCELLANEOUS			



8	1-690-697-11	WIRE (FLAT TYPE) (23 CORE)	
△56	1-575-654-11	CORD, POWER (AEP, G. IT, EE)	
△56	1-575-669-21	CORD, POWER (UK)	
△F101	1-532-259-00	FUSE (T1. 6A)	
△F103	1-532-203-00	FUSE (T2. 0A)	
△F104	1-532-203-00	FUSE (T2. 0A)	
△T901	1-450-812-11	TRANSFORMER, POWER	

ACCESSORIES & PACKING MATERIALS			

	4-920-940-01	SHEET (A), PROTECTION	
*	4-934-859-01	CUSHION	

HARDWARE LIST

#1	7-685-646-79	SCREW +BVTP 3X8 TYPE2 N-S
#2	7-621-773-93	SCREW (PANEL 2. 6 TP2)
#3	7-682-548-04	SCREW +BVTT 3X8 (S)
#4	7-685-650-79	SCREW +BVTP 3X16 TYPE2 IT-3
#5	7-682-560-04	SCREW +BVTT 4X6 (S)
#6	7-621-849-00	SCREW (BV/RING)

The components identified by mark  or dotted line with mark  are critical for safety. Replace only with part number specified.

TA-D507

SONY[®] SERVICE MANUAL

*AEP Model
UK Model
East European Model*

SUPPLEMENT-1

File this supplement with the service manual.

Subject : Electrical parts are changed.

ELECTRICAL PARTS LIST

Page	Former			New	
	Ref. No.	Part No.	Description	Part No.	Description
23	D105	8-719-987-63	D10DE 1N4148M	—	Not used.
	D106	8-719-987-63	D10DE 1N4148M	—	Not used.
	D114	8-719-002-66	D10DE HZS33-2L (EXPECT UK)	8-719-934-22	D10DE HZS30-2L (EXPECT UK)
24	IC101	8-759-604-86	IC M5F7807L	8-759-605-00	IC M5F78M07L (UK)
	IC102	8-759-604-90	IC M5F7907L	8-759-604-95	IC M5F79M07L (UK)
25	R191	⚠ 1-212-958-00	FUSIBLE 10 5% 1/2W (UK)	—	JUMPER
	R192	⚠ 1-212-958-00	FUSIBLE 10 5% 1/2W (UK)	—	JUMPER
26	R1077	⚠ 1-212-940-00	FUSIBLE 1.8 5% 1/2W (UK)	⚠ 1-249-477-11	CARBON 1.8 1/2W F (UK)
	R1078	⚠ 1-212-940-00	FUSIBLE 1.8 5% 1/2W (UK)	⚠ 1-249-477-11	CARBON 1.8 1/2W F (UK)
27	IC502	8-759-066-29	IC uPD75108CW-C98	8-759-075-04	IC uPD75108CW-W15
	L501	1-408-121-00	INDUCTOR 22uH	—	JUMPER

The components identified by mark ⚠ or dotted line with mark ⚠ are critical for safety. Replace only with part number specified.


TA-D507

SONY SERVICE MANUAL

*AEP Model
UK Model
East European Model*

CORRECTION-1

Correct your service manual as shown below.

 : indicates corrected portion.

Page	INCORRECT		CORRECT	
	<u>Part No.</u>	<u>Description</u>	<u>Part No.</u>	<u>Description</u>
26	* A-4347-257-A	PANEL BOARD, COMPLETE *****	* A-4347-275-A	PANEL BOARD, COMPLETE ***** 