

TA-EX70

SERVICE MANUAL

AEP Model
UK Model
E Model



TA-EX70 is the amplifier section in MHC-EX70AV.

Photo : E model

SPECIFICATIONS

(AEP, UK, Italian, German models)

DIN power output

FRONT:	50 W + 50 W (6 ohms, at 1 kHz, DIN)
CENTER:	25 W (6 ohms, at 1 kHz, DIN)
REAR:	15 W + 15 W (8 ohms, at 1 kHz, DIN)

Continuous RMS power output

FRONT:	65 W + 65 W (6 ohms, at 1 kHz, 10% THD)
CENTER:	35 W (6 ohms, at 1 kHz, 10% THD)
REAR:	23 W + 23 W (8 ohms, at 1 kHz, 10% THD)

Music power output

FRONT:	105 W + 105 W (6 ohms, at 1 kHz, 10% THD)
CENTER:	45 W (6 ohms, at 1 kHz, 10% THD)
REAR:	25 W + 25 W (8 ohms, at 1 kHz, 10% THD)

(E, Saudi Arabia, Hong Kong, Malaysia, Singapore, Thailand models)

Continuous RMS power output

FRONT SPEAKER:	60 W + 60 W (6 ohms at 1 kHz, 5% THD)
CENTER SPEAKER:	30 W (6 ohms at 1 kHz, 5% THD)
REAR SPEAKER:	20 W + 20 W (8 ohms at 1 kHz, 5% THD)

Input	Jack type	Sensitivity	Impedance
CD	Phono	450 mV	47 kilohms
MD	Phono	450 mV	47 kilohms
TUNER	Phono	250 mV	47 kilohms
VIDEO1	Phono	250 mV	47 kilohms
VIDEO2	Phono	250 mV	47 kilohms
TAPE	Phono	250 mV	47 kilohms
Output	Jack type	Voltage	Impedance
MD	Phono	250 mV	1 kilohm
VIDEO1	Phono	250 mV	1 kilohm
TAPE	Phono	250 mV	1 kilohm
PHONES	Stereo phone	—	Accepts headphones of 8 ohms or more

MONITOR OUT (phono jack):
1 V_{p-p}/75 ohms

FRONT SPEAKER:
accepts speakers of 6 to 16 ohms

CENTER SPEAKER:
accepts speakers of 6 to 16 ohms

REAR SPEAKER:
accepts speakers of 8 to 16 ohms

Dimensions

Approx. 280 x 122.5 x 290 mm
(11 1/8 x 4 7/8 x 11 1/2 in) (w/h/d)
incl. projecting parts and controls

Mass

(AEP, UK, Italian, German models)
Approx. 6.3 kg
(13 lb 14 oz)

(E, Saudi Arabia, Hong Kong, Malaysia, Singapore, Thailand models)

Approx. 5.6 kg

General

Power requirements

(AEP, UK, Italian, German models)
220 - 230 V AC,
50/60 Hz

(Thailand model)

220 V AC, 50/60 Hz

(E, Saudi Arabia, Hong Kong, Malaysia, Singapore models)

110 - 120 V or
220 - 240 V AC,
50/60 Hz
Adjustable with the
voltage selector

Power consumption

210 W (system)

Design and specifications are subject to change without notice.

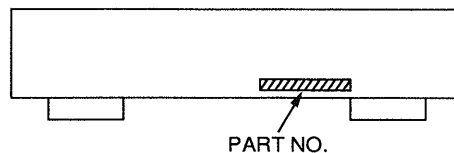
AV CENTER AMPLIFIER
SONY[®]

TABLE OF CONTENTS

<u>Section</u>	<u>Title</u>	<u>Page</u>
SECTION 1. GENERAL		3
SECTION 2. DISASSEMBLY		
2-1. Front Panel ASSY		4
2-2. Audio Board		4
SECTION 3. DIAGRAMS		
3-1. Circuit Boards Location		5
3-2. IC Pin Function		
• Panel Board IC501 M37471M4-S3 (LED Drive, Mode Select)		6
3-3. Printed Wiring Board — Panel Section —		7
3-4. Schematic Diagram — Panel Section —		9
3-5. Printed Wiring Board — Main Section —		13
3-6. Schematic Diagram — Main Section —		17
3-7. IC Block Diagrams — Main Section —		21
SECTION 4. EXPLODED VIEWS		
4-1. Front Panel Section		23
4-2. Chassis Section		24
SECTION 5. ELECTRICAL PARTS LIST		25

MODEL IDENTIFICATION

— BACK PANEL —



MODEL	PART NO.
AEP model	4-978-973-0□
German model	4-978-973-1□
Italian model	4-978-973-2□
UK model	4-978-973-3□
E, Malaysia, Singapore model	4-978-973-4□
Hong Kong model	4-978-973-5□
Saudi Arabia model	4-978-973-6□
Thailand model	4-978-973-7□

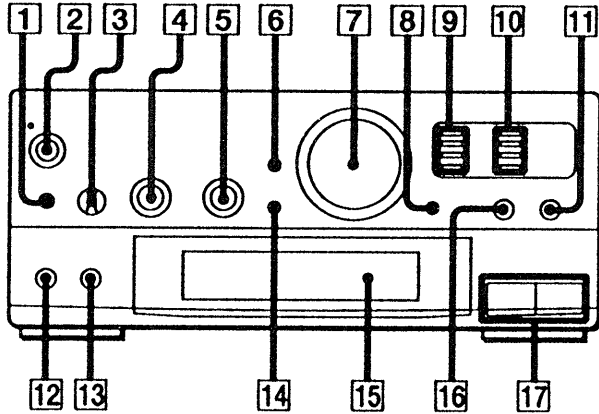
SAFETY-RELATED COMPONENT WARNING !!

COMPONENTS IDENTIFIED BY MARK \triangle OR DOTTED LINE WITH MARK \triangle ON THE SCHEMATIC DIAGRAMS AND IN THE PARTS LIST ARE CRITICAL TO SAFE OPERATION. REPLACE THESE COMPONENTS WITH SONY PARTS WHOSE PART NUMBERS APPEAR AS SHOWN IN THIS MANUAL OR IN SUPPLEMENTS PUBLISHED BY SONY.

SECTION 1 GENERAL

This section is extracted from instruction manual.

Index to Parts and Controls



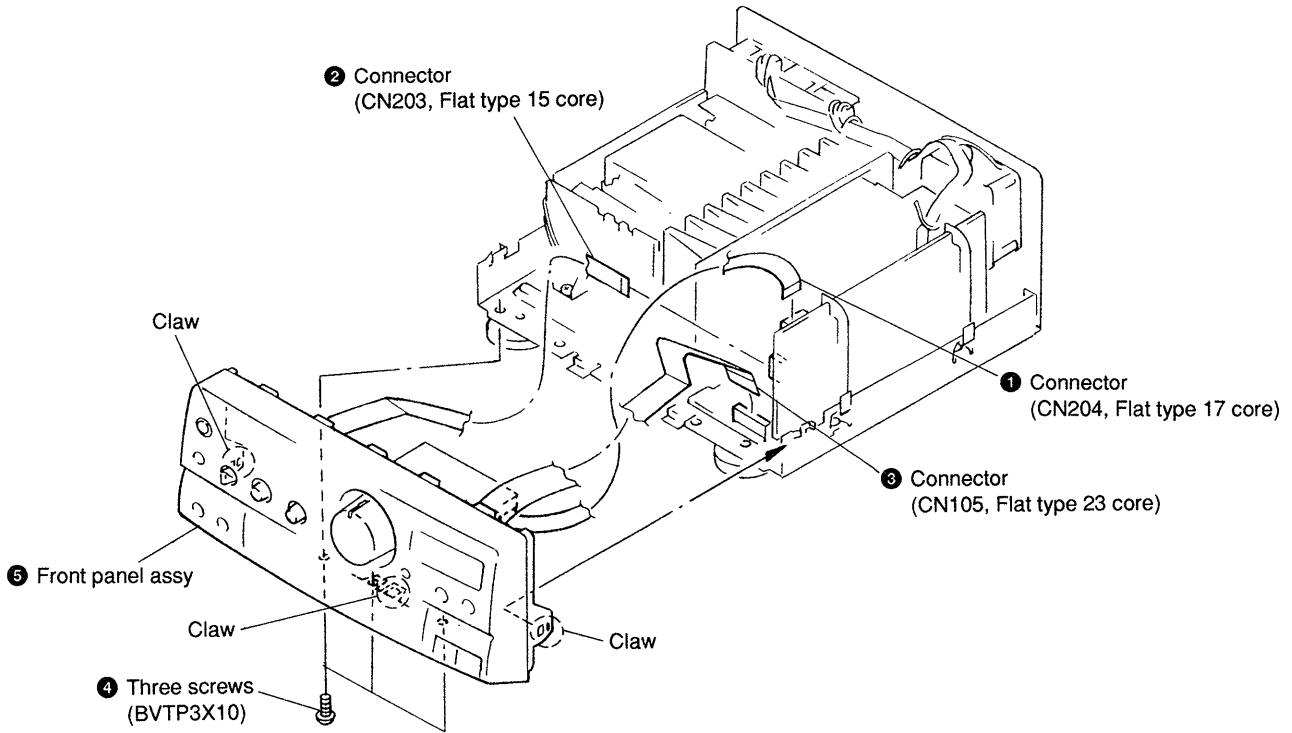
- 1** Remote sensor
- 2** SYSTEM POWER switch and ON/STANDBY indicator (7)
The indicator remains lit as long as the AC power cord is connected to a wall outlet.
- 3** MIC LEVEL control (25)
(E, EA, HK, SP, MY, TH models)
- 4** BASS control (18)
- 5** TREBLE control (18)
- 6** KARAOKE PON button* (25)
(E, EA, HK, SP, MY, TH models)
- 7** VOLUME control (5, 7, 18, 23)
- 8** SOURCE DIRECT button* (18, 22)
- 9** PRO LOGIC MODE indicators (21)
- 10** DSP MENU indicators (19)
- 11** DSP MODE button (19)
- 12** PHONES jack (18, 26)
- 13** MIX MIC jack (25, 26)
(E, EA, HK, SP, MY, TH models)
- 14** MUTING button* (18)
- 15** Display window
- 16** DOLBY PRO LOGIC button (21, 22)
- 17** FUNCTION buttons
(13, 17, 21, 22, 25, 26)
VIDEO (21, 25, 26)
AUDIO (13, 17, 22, 25, 26)

- Abbreviation
 - EA : Saudi Arabia model.
 - HK : Hong Kong model.
 - SP : Singapore model.
 - MY : Malaysia model.
 - TH : Thailand model.

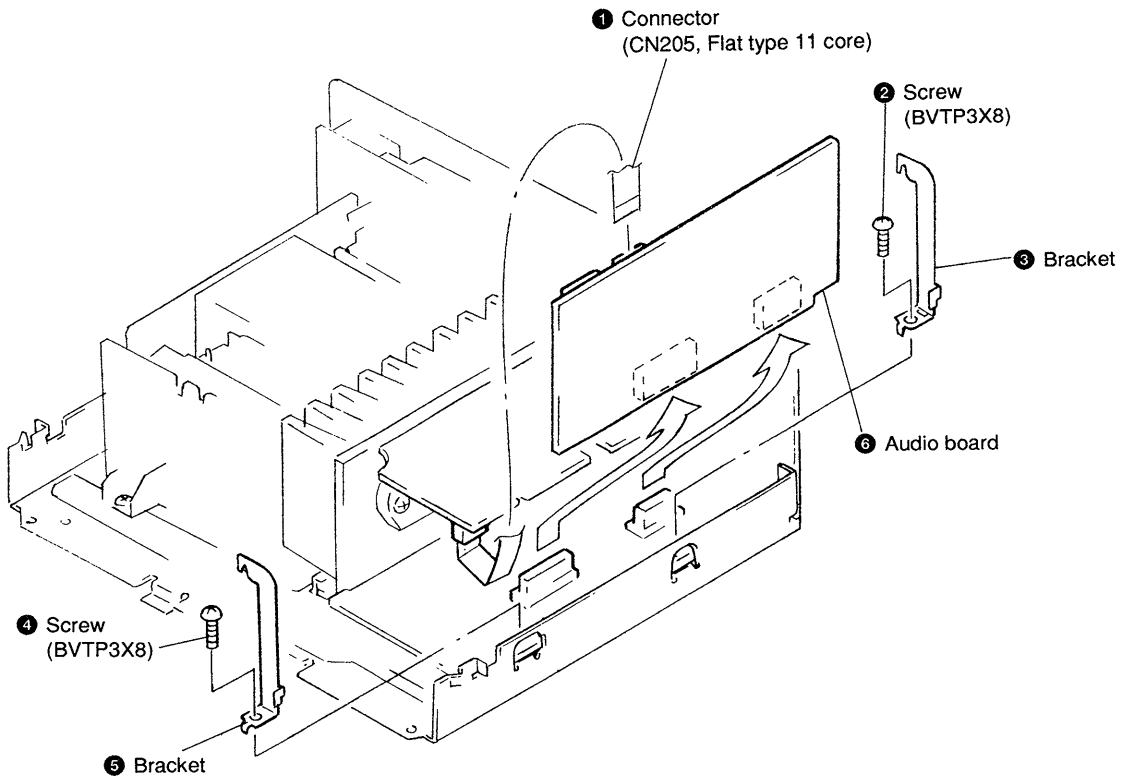
SECTION 2 DISASSEMBLY

Note : Follow the disassembly procedure in the numerical order given.

2-1. FRONT PANEL ASSY

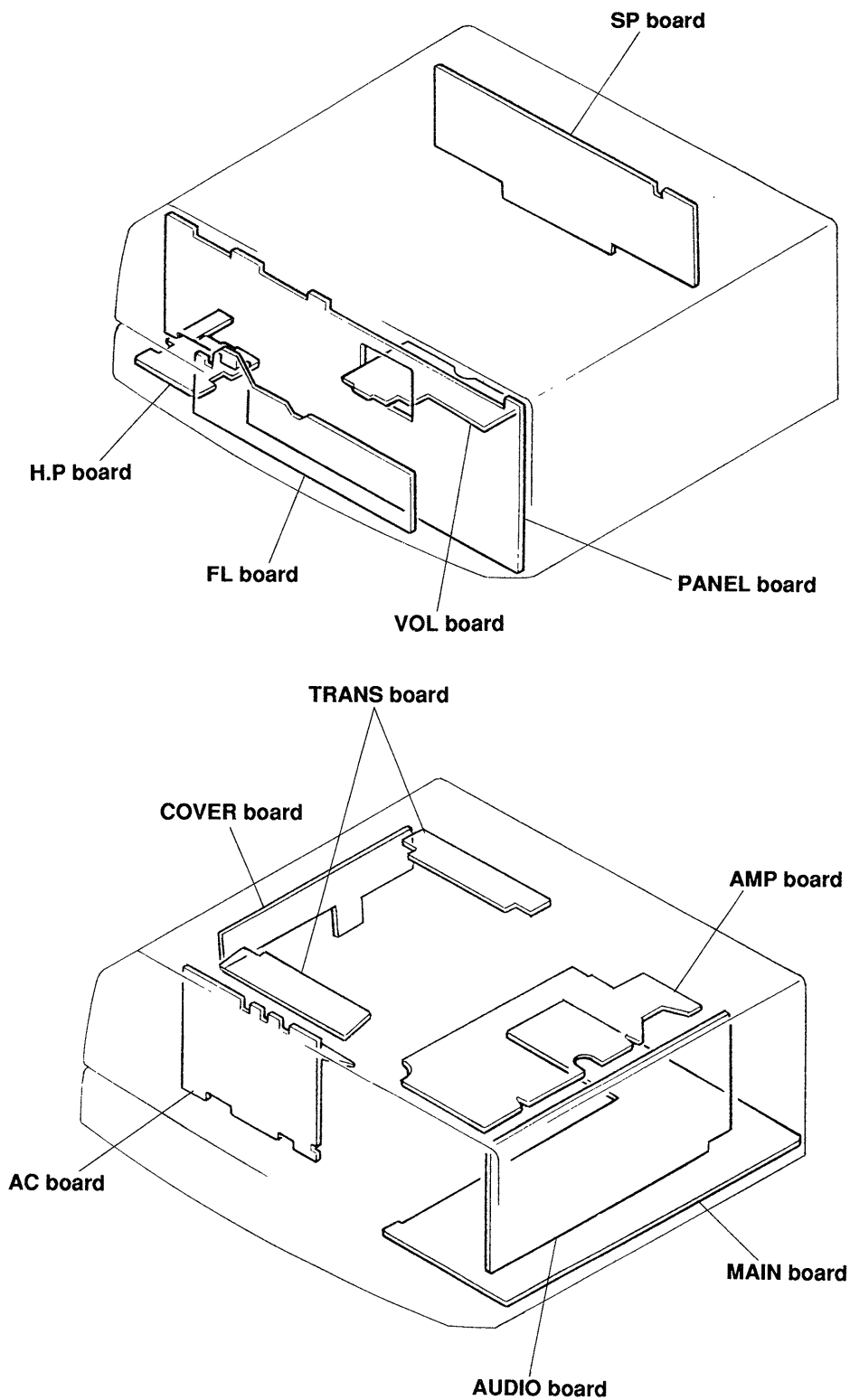


2-2. AUDIO BOARD



SECTION 3 DIAGRAMS

3-1. CIRCUIT BOARDS LOCATION



3-2. IC PIN FUNCTION

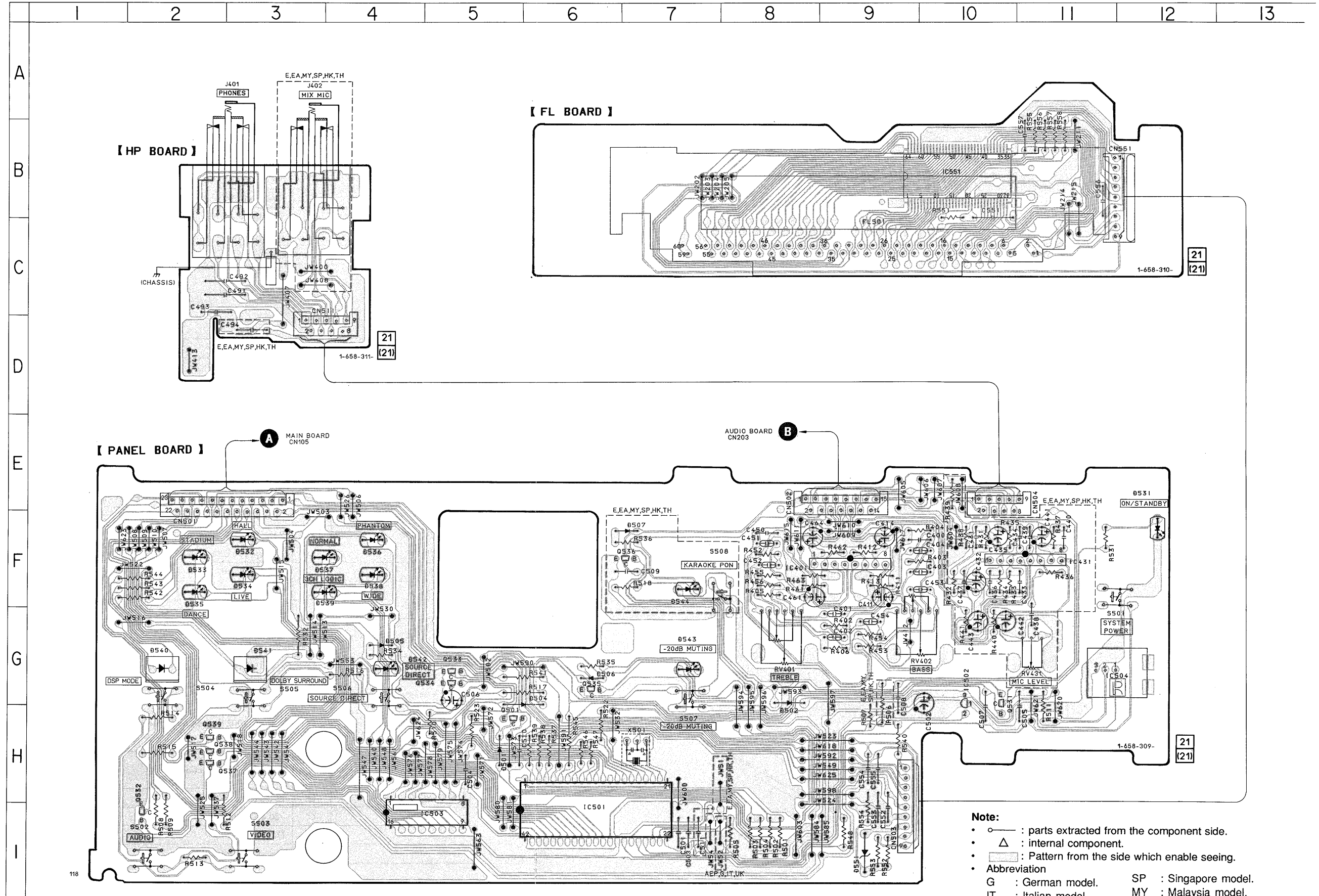
PANEL BOARD IC501 M37471M4-S3 (LED Drive, Mode Select)

Pin No.	Pin Name	I/O	Function
1	—	—	Not used (Ground)
2	\overline{CS}	O	IC551 FL Driver control
3	SCK	O	
4	SDATA	O	
5	POWER ON	O	System power ON
6	SP RY ON	O	Speaker relay ON
7	LINEMUTE	O	Line mute ON
8	VOLUP	O	Volume up
9	VOLDOWN	O	Volume down
10	MENU1	O	LED Control
11	MENU0	O	
12	PROLOGIC	O	
13	DSP	O	
14	EFFECT	O	
15	PMT	O	Line mute control
16	KEY1	I	A/D input
17	KEY0	I	
18	VREF	I	A/D Reference Voltage
19	XIN	I	X'TAL input
20	XOUT	O	X'TAL output
21	VSS	I	Ground
22	VCC	I	+5V
23	E/\overline{CE}	I	Destination identification input. CE="H", E="L"
24	$65/75$	I	Model identification input. Fixed "H"
25	\overline{RESET}	I	Reset input
26	MIC IN	I	Microphone detect input
27	AUBIN	I	AU BUS Input
28	SIRCSIN	I	SIRCS Input
29	—	—	Not used (Ground)
30	AUBOUT	O	AU BUS Output
31	A	O	IC101, 102, 103 Audio function control
32	B	O	
33	C	O	
34	CLK	O	IC301, 302 Prologic/DSP control
35	DATA	O	
36	ENBL	O	
37	$\overline{V1}$	O	IC181 Video function control
38	$\overline{V2}$	O	
39	KARAOKE	O	KARAOKE PON ON
40	-20MUTE	O	-20 dB Muting ON
41	DIRECT	O	Direct ON
42	—	—	Not used (Ground)

3-3. PRINTED WIRING BOARD — PANEL SECTION —
 • See page 5 for Circuit Boards Location.

• Semiconductor Location

Ref. No.	Location
D501	H-5
D502	G-8
D504	G-6
D505	G-4
D506	G-6
D507	F-7
D531	F-12
D532	F-3
D533	F-2
D534	F-3
D535	F-2
D536	F-4
D537	F-3
D538	F-4
D539	F-3
D540	G-2
D541	G-3
D542	G-4
D543	G-7
D544	F-7
D551	I-9
IC401	F-9
IC431	F-11
IC501	I-6
IC502	G-10
IC503	I-5
IC504	G-11
IC551	B-10
Q501	H-5
Q531	G-10
Q532	I-2
Q533	G-5
Q534	G-5
Q535	G-6
Q536	F-7
Q537	H-2
Q538	H-2
Q539	H-2

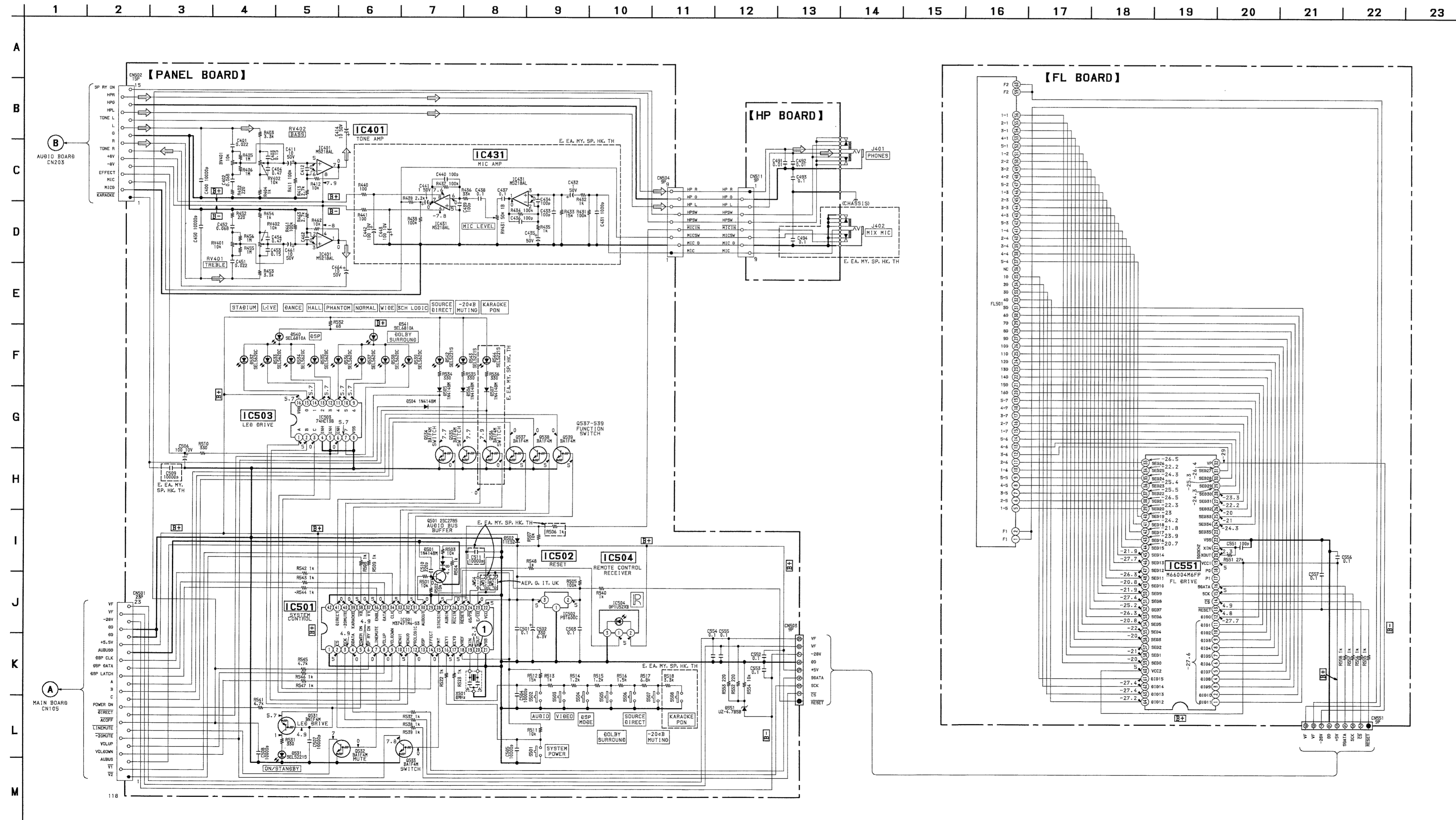


Note:

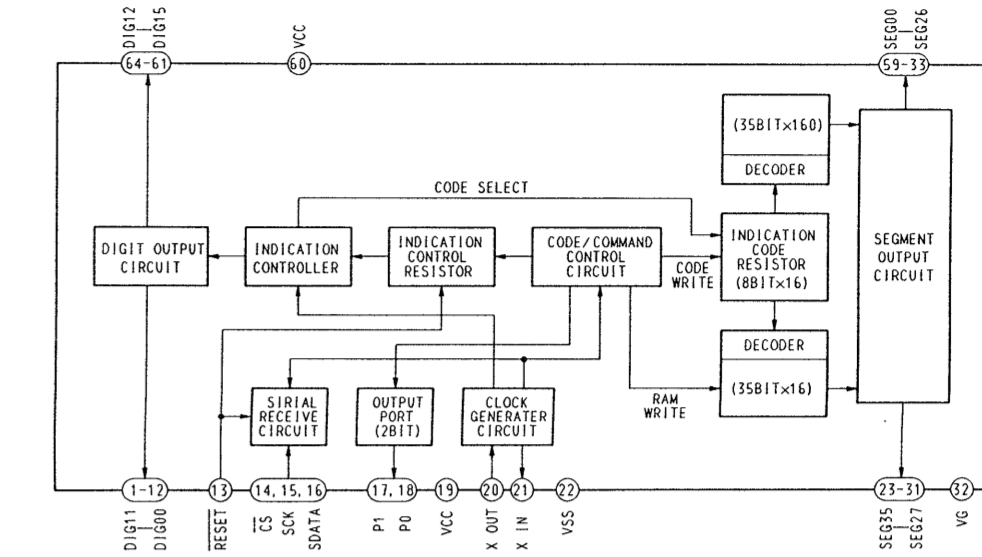
- : parts extracted from the component side.
- △ : internal component.
- : Pattern from the side which enable seeing.
- Abbreviation

G	: German model.	SP	: Singapore model.
IT	: Italian model.	MY	: Malaysia model.
EA	: Saudi Arabia model.	HK	: Hong Kong model.
		TH	: Thailand model.

3-4. SCHEMATIC DIAGRAM — PANEL SECTION —
• See page 6 for IC Pin Function. (IC501)

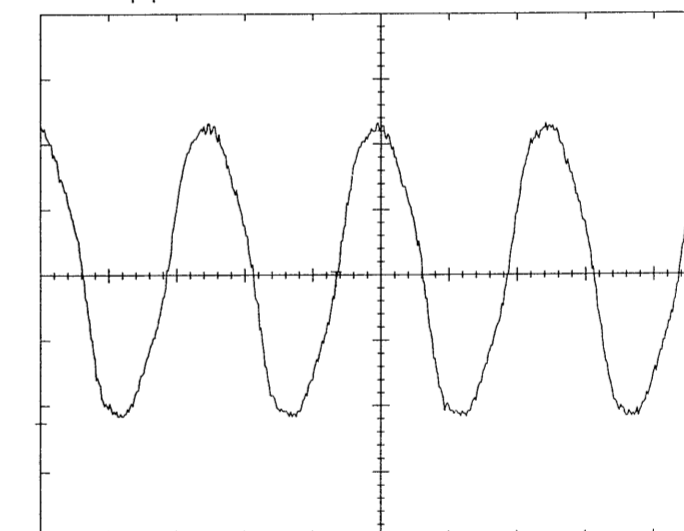


• IC Block Diagram
IC551 M66004M6FP



• Waveform

① IC501 @ pin 8 MHz 4.5 V_{p-p}



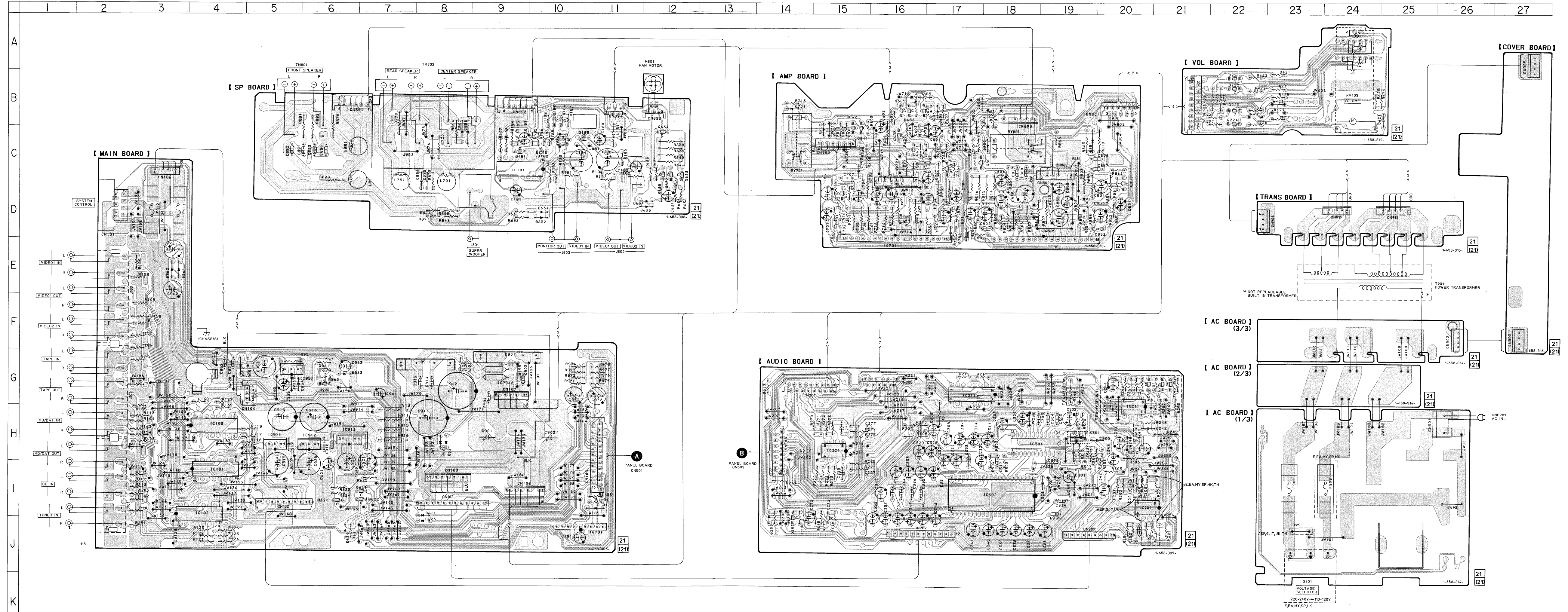
- Note:**
- All capacitors are in μF unless otherwise noted. pF = 10^{-12} F. 50WV or less are not indicated except for electrolytics and tantalums.
 - All resistors are in Ω and 1/4W or less unless otherwise specified.
 - Δ : internal component.
 - \square : panel designation.
 - $\text{B}+$: B+ Line
 - $\text{B}-$: B- Line
 - Voltage and waveforms are dc with respect to ground under no-signal conditions.
 - no mark : TUNER MODE
 - Voltages are taken with a VOM (Input impedance 10M Ω). Voltage variations may be noted due to normal production tolerances.
 - Waveforms are taken with an oscilloscope. Voltage variations may be noted due to normal production tolerances.
 - Circled numbers refer to waveforms.
 - Signal path.
 - \Rightarrow : FM
 - Abbreviation
 - G : German model.
 - IT : Italian model.
 - EA : Saudi Arabia model.
 - SP : Singapore model.
 - MY : Malaysia model.
 - HK : Hong Kong model.
 - TH : Thailand model.

3-5. PRINTED WIRING BOARD — MAIN SECTION —
 • See page 5 for Circuit Boards Location.

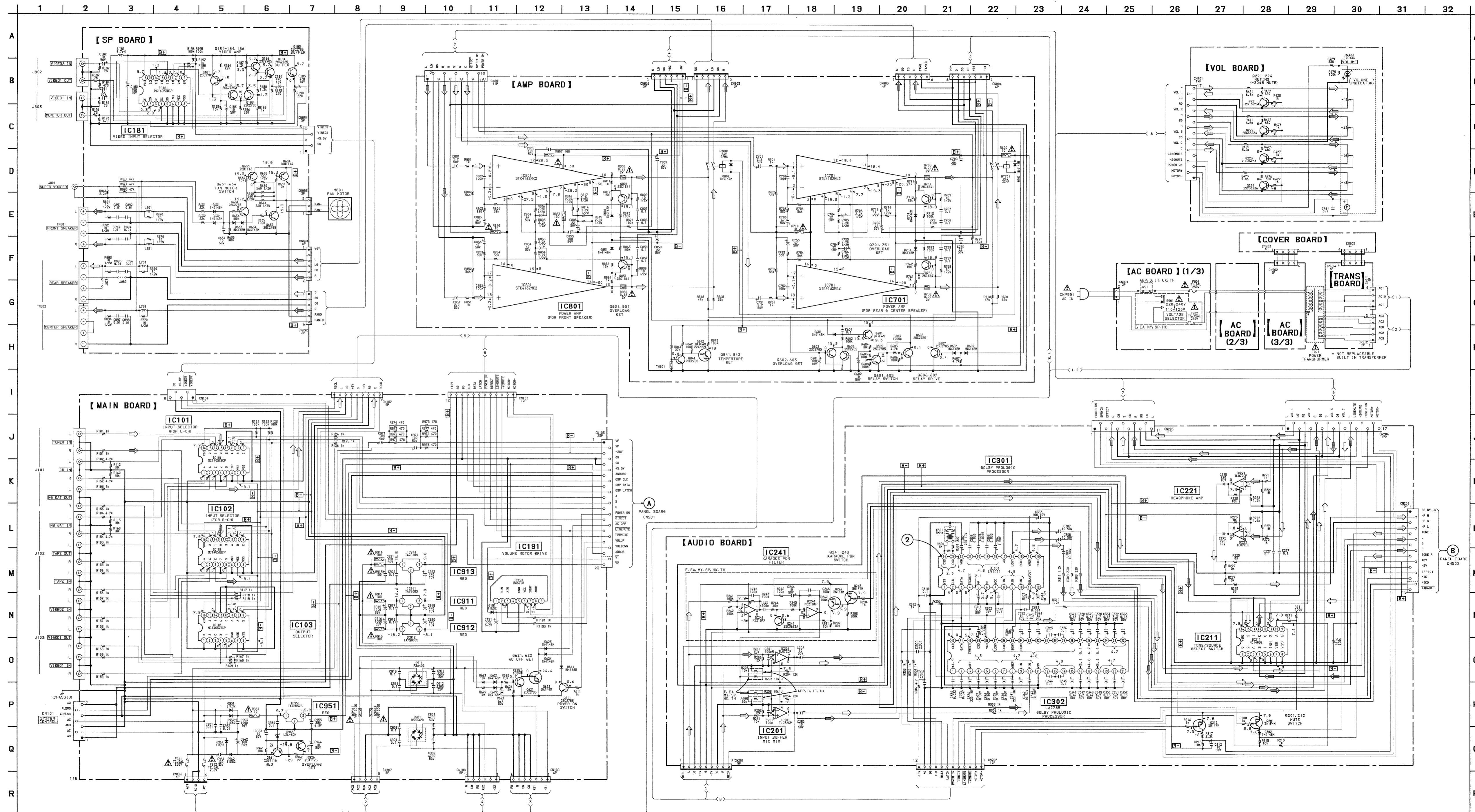
• Semiconductor Location

Ref. No.	Location	Ref. No.	Location
D191	I-11	IC911	H-5
D202	J-14	IC912	H-6
D601	C-16	IC913	H-6
D602	B-17	IC951	G-5
D603	B-17		
D611	J-8	Q181	C-9
D621	H-8	Q182	C-10
D622	H-8	Q183	C-10
D623	J-8	Q184	C-10
D624	J-6	Q185	C-10
D631	D-10	Q186	C-10
D632	D-10	Q201	J-14
D633	D-12	Q212	J-15
D634	D-12	Q221	B-22
D701	B-14	Q222	B-22
D702	C-15	Q223	B-22
D751	C-17	Q224	C-22
D801	C-17	Q241	G-20
D802	C-18	Q242	G-21
D851	C-19	Q243	G-21
D901	G-9	Q601	C-16
D911	G-8	Q602	C-16
D951	C-5	Q603	C-16
D952	G-4	Q605	B-16
D961	E-3	Q606	B-16
D962	E-3	Q607	B-16
D963	G-6	Q611	I-7
D963	G-6	Q621	I-6
IC101	I-4	Q622	I-7
IC102	J-4	Q631	D-12
IC103	H-4	Q632	D-12
IC181	C-9	Q633	D-12
IC191	J-10	Q634	C-12
IC201	I-20	Q701	D-15
IC211	G-17	Q751	C-17
IC221	H-15	Q801	C-17
IC241	H-20	Q841	C-15
IC301	H-18	Q842	C-15
IC302	I-18	Q851	D-20
IC701	E-16	Q926	G-6
IC801	E-19	Q961	G-6

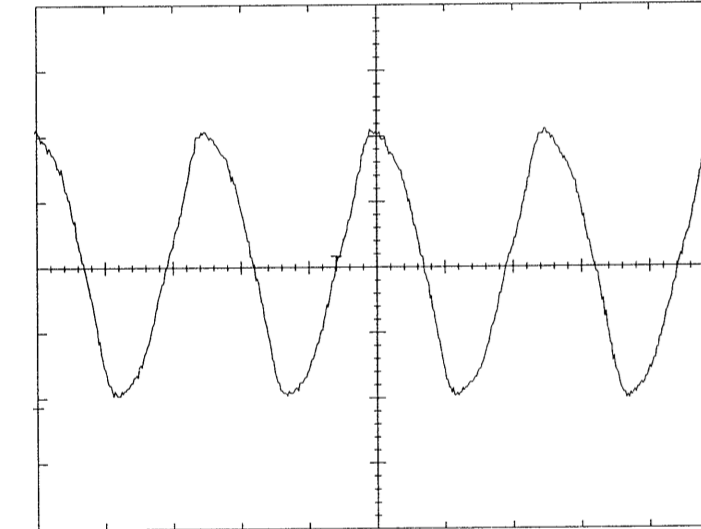
Note:
 • : parts extracted from the component side.
 • △ : internal component.
 • : Pattern from the side which enable seeing.
 • Abbreviation
 G : German model.
 IT : Italian model.
 EA : Saudi Arabia model.
 SP : Singapore model.
 MY : Malaysia model.
 HK : Hong Kong model.
 TH : Thailand model.



3-6. SCHEMATIC DIAGRAM — MAIN SECTION —
• See page 21 for IC Block Diagrams.



• Waveform
 ② IC301 @ pin 8
 8 MHz
 4.2 Vp-p



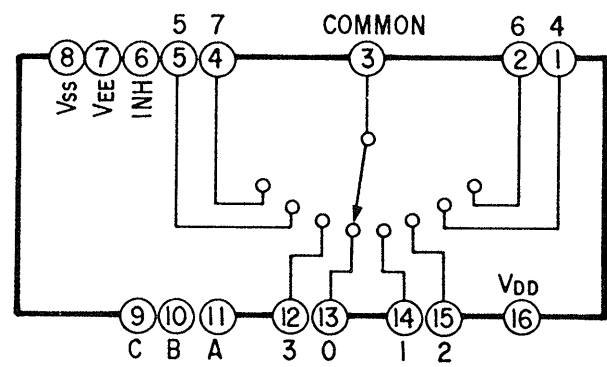
- Note:**
- All capacitors are in μF unless otherwise noted. pF μpF 50WV or less are not indicated except for electrolytics and tantalums.
 - All resistors are in Ω and 1/4W or less unless otherwise specified.
 - Δ : internal component.
 - \square : nonflammable resistor.
 - --- : fusible resistor.
 - --- : panel designation.

Note: The components identified by mark Δ or dotted line with mark Δ are critical for safety. Replace only with part number specified.

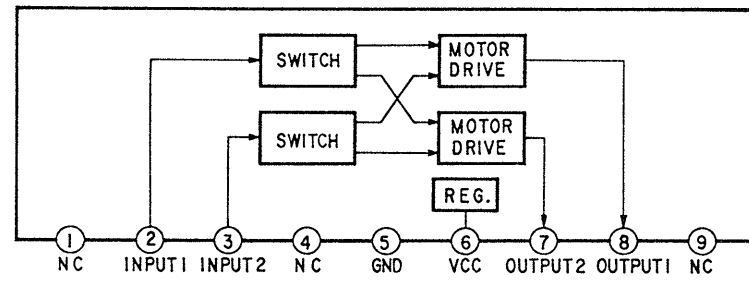
- **B+** : B+ Line
- **B-** : B- Line
- Voltage and waveforms are dc with respect to ground under no-signal conditions.
- no mark : TUNER MODE
- Voltages are taken with a VOM (input impedance 10M Ω).
- Voltage variations may be noted due to normal production tolerances.
- Waveforms are taken with an oscilloscope.
- Voltage variations may be noted due to normal production tolerances.
- Circled numbers refer to waveforms.
- Signal path
- --- : FM
- Abbreviation
- G : German model.
- IT : Italian model.
- EA : Saudi Arabia model.
- SP : Singapore model.
- MY : Malaysia model.
- HK : Hong Kong model.
- TH : Thailand model.

3-7 . IC BLOCK DIAGRAMS — MAIN SECTION —

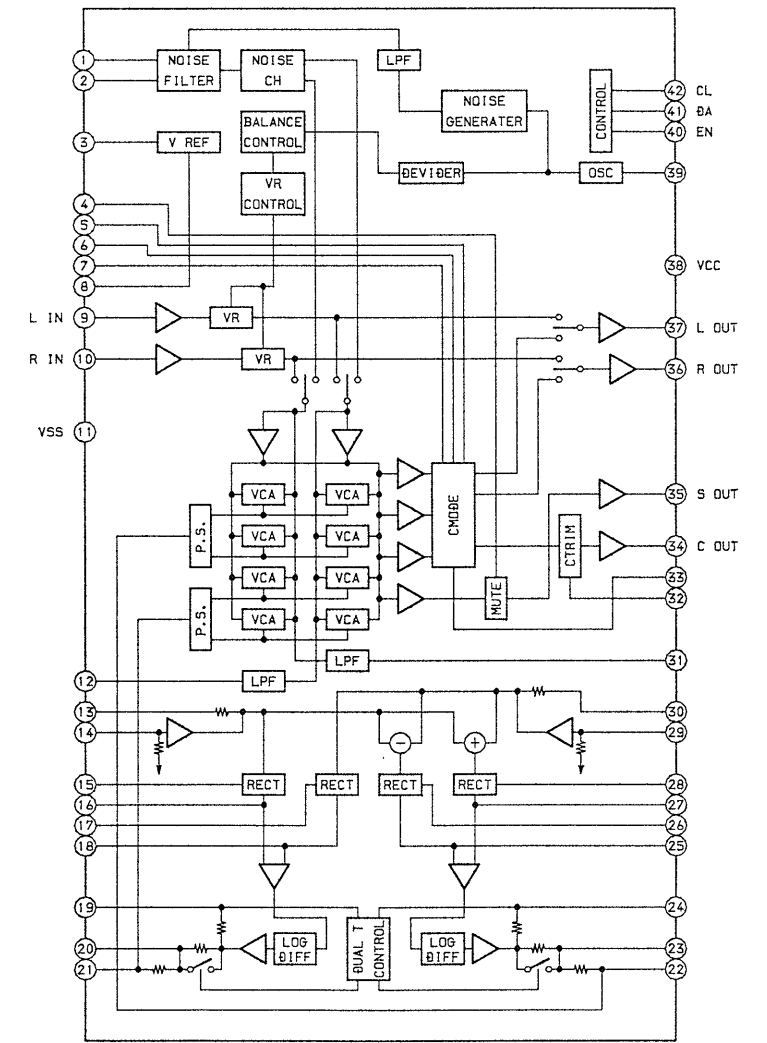
IC101, IC102 MC14051BCP



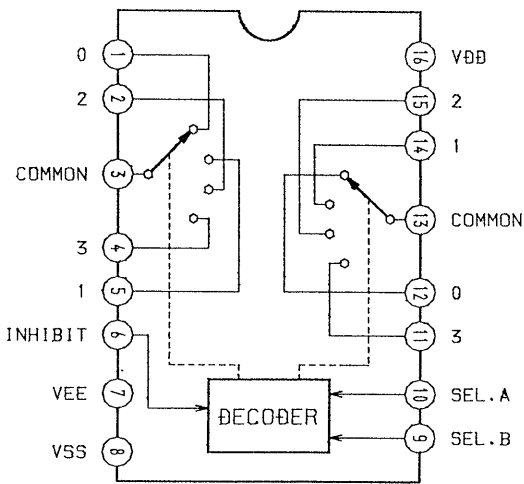
IC191 BA6208



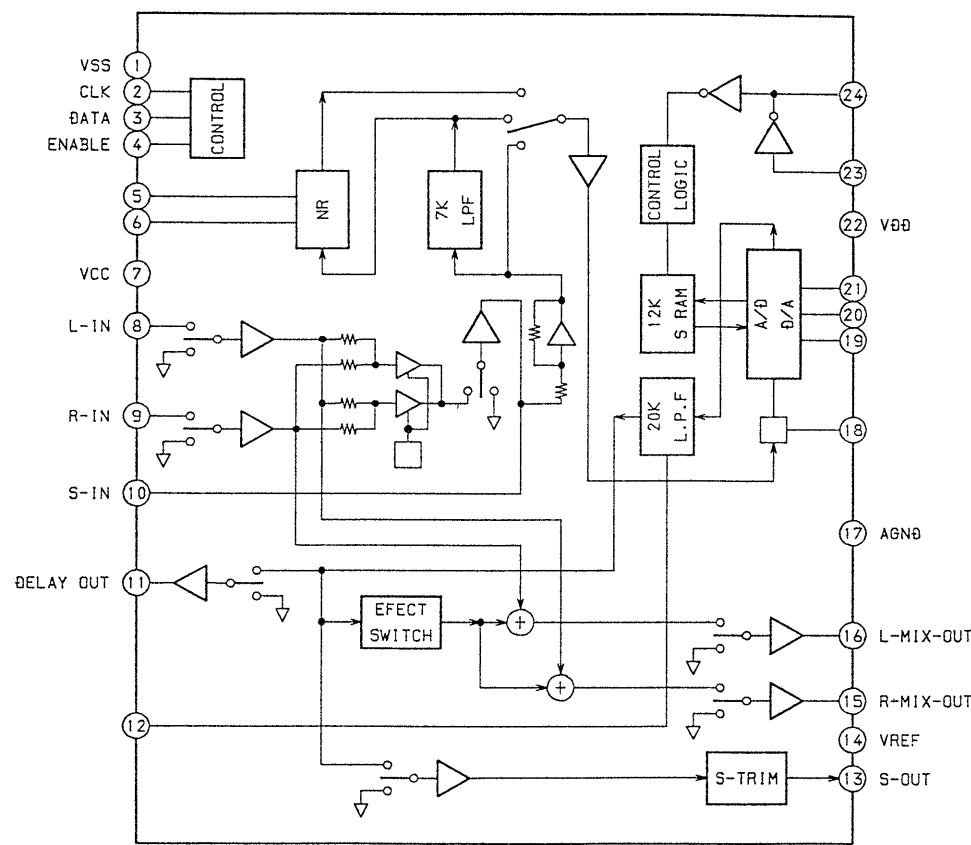
IC302 LA2785



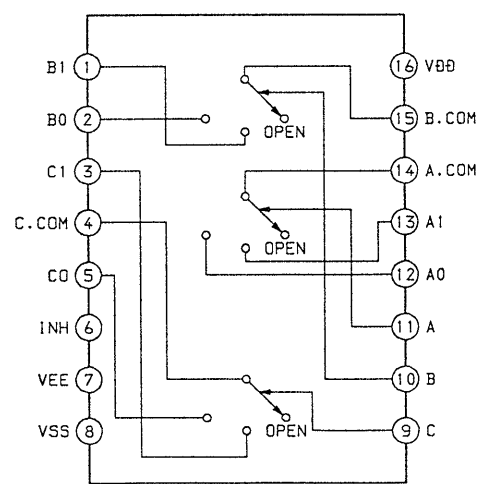
IC103, IC211 MC14052BCP



IC301 LV1010N



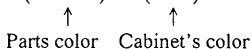
IC181 MC14053BCP



SECTION 4 EXPLODED VIEWS

NOTE:

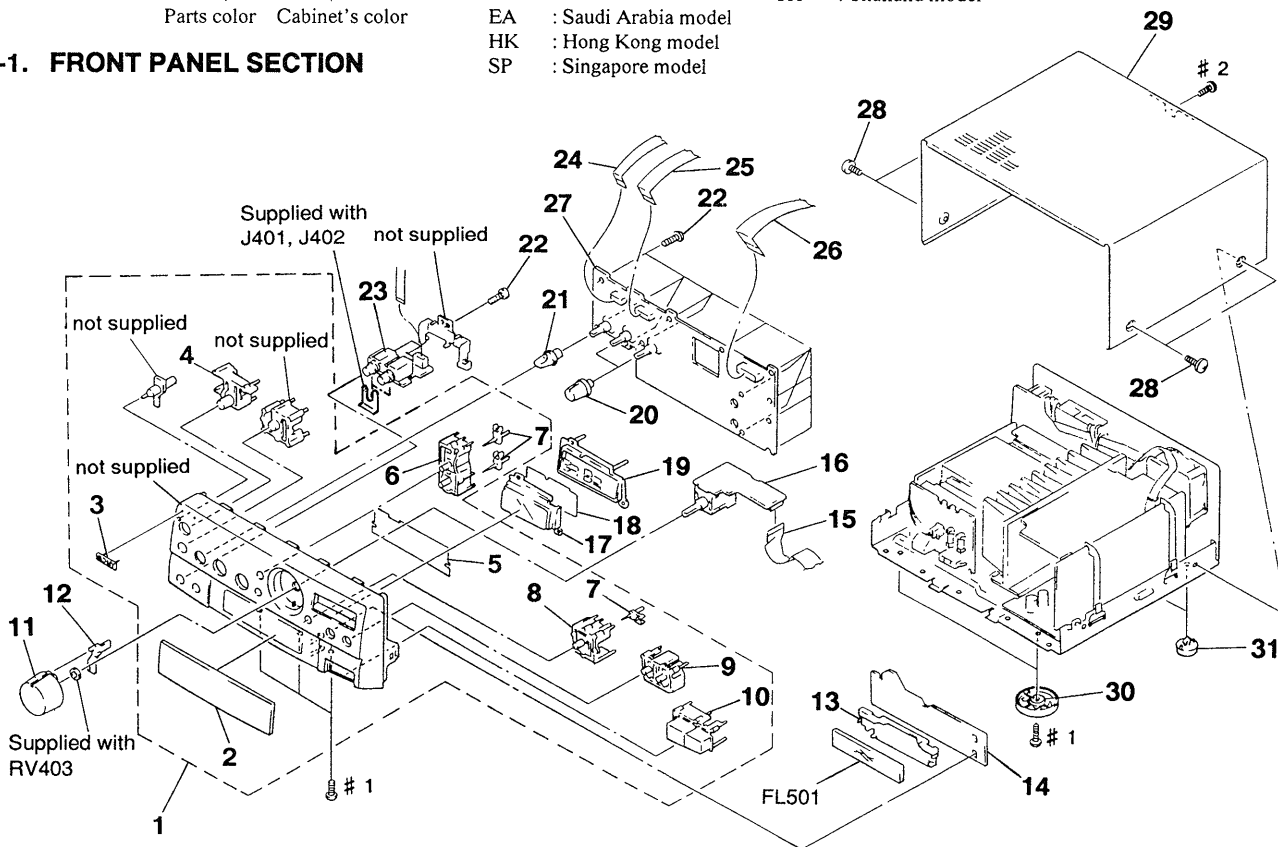
- -XX, -X mean standardized parts, so they may have some difference from the original one.
- Items marked “ * ” are not stocked since they are seldom required for routine service. Some delay should be anticipated when ordering these items.
- Color Indication of Appearance Parts Example:
KNOB, BALANCE (WHITE) . . . (RED)



- The mechanical parts with no reference number in the exploded views are not supplied.
- Hardware (# mark) list and accessories and packing materials are given in the last of this parts list.
- Abbreviation
 G : German model MY : Malaysia model
 IT : Italian model TH : Thailand model
 EA : Saudi Arabia model
 HK : Hong Kong model
 SP : Singapore model

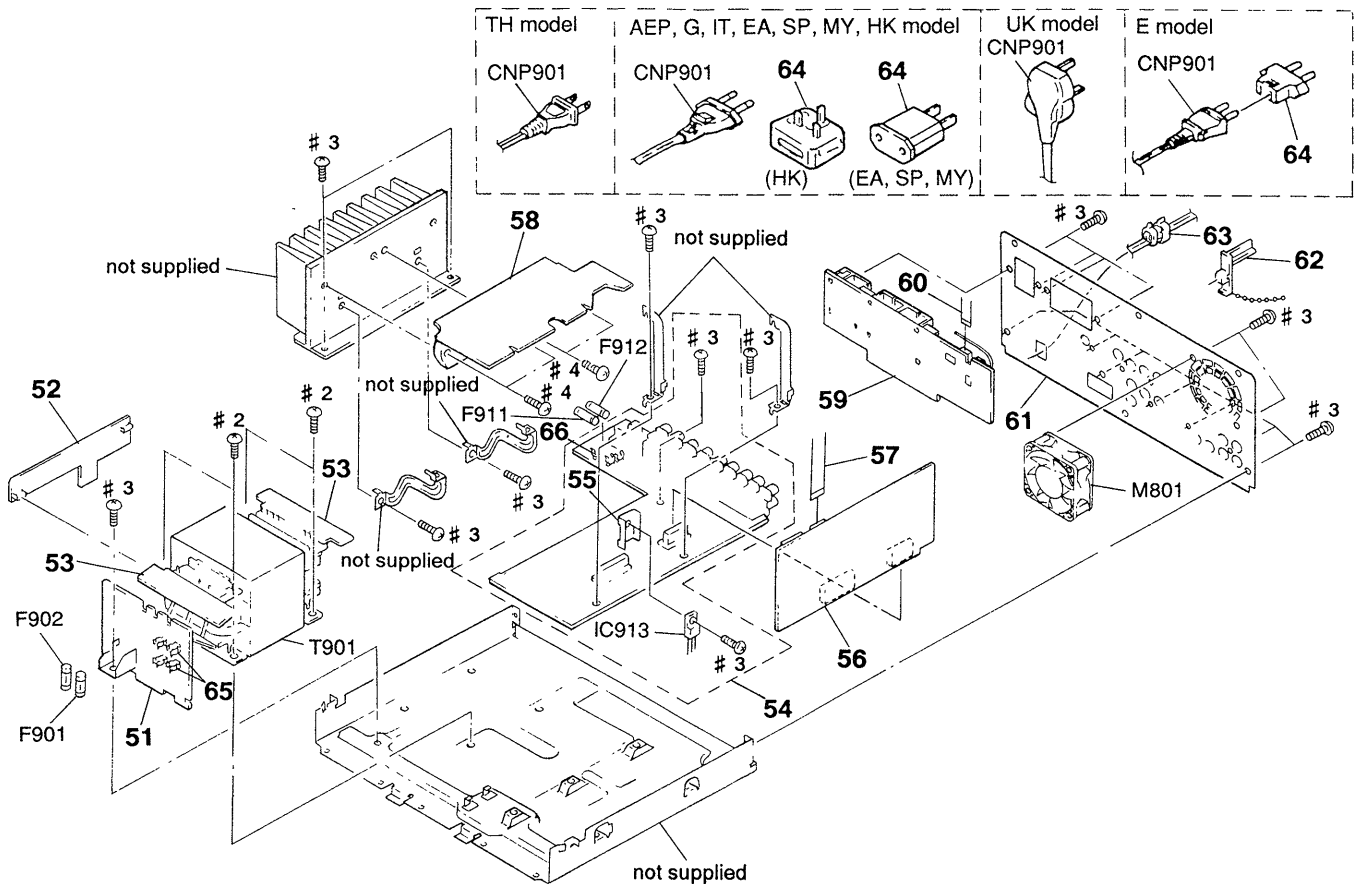
The components identified by mark or dotted line with mark are critical for safety. Replace only with part number specified.

4-1. FRONT PANEL SECTION



Ref. No.	Part No.	Description	Remark	Ref. No.	Part No.	Description	Remark
1	X-4946-592-1	PANEL ASSY (S), FRONT (GRAY)... (SILVER) (E, EA, MY, SP, HK)		11	4-970-955-31	KNOB (VOL) (GRAY)... (SILVER)	
1	X-4946-593-1	PANEL ASSY (S), FRONT (GRAY)... (SILVER) (AEP, UK, G, IT)		12	4-979-349-11	INDICATOR (VOL)	
1	X-4946-858-1	PANEL ASSY (B), FRONT (BLACK)... (BLACK) (AEP, UK, G, IT)		* 13	4-979-799-01	HOLDER (FL)	
1	X-4946-964-1	PANEL ASSY (SP), FRONT (GRAY)... (SILVER) (TH)		* 14	1-658-310-21	FL BOARD	
2	4-977-683-11	WINDOW (FL) (GRAY)... (SILVER)		15	1-773-038-11	WIRE (FLAT TYPE) (17 CORE)	
2	4-977-683-21	WINDOW (FL) (BLACK)... (BLACK)		* 16	1-658-312-21	VOL BOARD	
3	4-962-708-11	EMBLEM (4-A), SONY		17	4-977-741-11	WINDOW (DSP)	
4	4-977-708-11	BUTTON (POWER) (GRAY)... (SILVER)		18	4-977-743-11	WINDOW (DSP 2)	
4	4-977-708-21	BUTTON (POWER) (BLACK)... (BLACK)		19	4-977-747-11	HOLDER (LED-8)	
5	4-979-352-21	FILTER (CD)		20	4-970-965-21	KNOB (TONE) (BLACK)... (BLACK)	
6	4-977-736-11	BUTTON (MUTE) (GRAY)... (SILVER) (AEP, UK, G, IT)		20	4-970-965-31	KNOB (TONE) (GRAY)... (SILVER)	
6	4-977-736-21	BUTTON (MUTE) (GRAY)... (SILVER) (E, EA, MY, SP, HK, TH)		21	4-973-043-31	KNOB (KR) (GRAY)... (SILVER) (E, EA, MY, SP, HK, TH)	
6	4-977-736-31	BUTTON (MUTE) (BLACK)... (BLACK) (AEP, UK, G, IT)		22	4-951-620-01	SCREW (2. 6X8), +BVTP	
7	4-977-740-11	INDICATOR (MUTE)		* 23	1-658-311-21	H.P BOARD	
8	4-977-737-11	BUTTON (SD) (GRAY)... (SILVER)		24	1-769-910-11	WIRE (FLAT TYPE) (9 CORE)	
8	4-977-737-21	BUTTON (SD) (BLACK)... (BLACK)		25	1-765-332-11	WIRE (FLAT TYPE) (15 CORE)	
9	4-977-738-11	BUTTON (DSP)		26	1-776-933-11	WIRE (FLAT TYPE) (23 CORE)	
10	4-977-739-11	BUTTON (FUNC) (GRAY)... (SILVER)		* 27	A-4378-829-A	PANEL BOARD, COMPLETE (E, EA, MY, SP, HK, TH)	
10	4-977-739-31	BUTTON (FUNC) (BLACK)... (BLACK)		* 27	A-4378-837-A	PANEL BOARD, COMPLETE (AEP, UK, G, IT)	
11	4-970-955-21	KNOB (VOL) (BLACK)... (BLACK)		28	3-363-099-01	SCREW (CASE 3 TP2)	
				29	4-978-245-31	CASE (GRAY)... (SILVER)	
				29	4-980-744-41	CASE (BLACK)... (BLACK)	
				30	4-977-699-11	LEG (F)	
				31	4-965-822-01	FOOT	
				FL501	1-517-367-11	INDICATOR TUBE, FLUORESCENT	

4-2. CHASSIS SECTION



The components identified by mark \triangle or dotted line with mark \triangle are critical for safety.
Replace only with part number specified.

Ref. No.	Part No.	Description	Remark	Ref. No.	Part No.	Description	Remark
* 51	1-658-314-21	AC BOARD		* 63	3-703-244-00	BUSHING (2104), CORD (AEP, UK, G, IT, EA, MY, SP, HK)	
* 52	1-658-316-21	COVER BOARD		* 63	3-703-571-11	BUSHING (S) (4516), CORD (E, TH)	
* 53	1-658-315-21	TRANSFORMER BOARD		\triangle 64	1-569-007-11	ADAPTER, CONVERSION 2P (E)	
* 54	A-4378-834-A	MAIN BOARD, COMPLETE (E, EA, MY, SP, HK, TH)		\triangle 64	1-569-008-11	ADAPTER, CONVERSION 2P (EA, MY, SP)	
* 54	A-4378-845-A	MAIN BOARD, COMPLETE (AEP, UK, G, IT)		\triangle 64	1-770-019-11	ADAPTOR, CONVERSION PLUG 3P (HK)	
* 55	3-309-144-21	HEAT SINK		65	1-533-217-31	HOLDER, FUSE	
* 56	A-4378-835-A	AUDIO BOARD, COMPLETE (E, EA, MY, SP, HK, TH)		66	1-533-233-11	HOLDER, FUSE	
* 56	A-4378-846-A	AUDIO BOARD, COMPLETE (AEP, UK, G, IT)		\triangle CNP901	1-575-651-11	CORD, POWER (AEP, G, IT, EA, MY, SP, HK)	
57	1-769-940-11	WIRE (FLAT TYPE) (11 CORE)		\triangle CNP901	1-575-653-11	CORD, POWER (E)	
* 58	A-4378-832-A	AMP BOARD, COMPLETE (E, EA, MY, SP, HK, TH)		\triangle CNP901	1-751-326-31	CORD, POWER (TH)	
* 58	A-4378-841-A	AMP BOARD, COMPLETE (AEP, UK, G, IT)		\triangle CNP901	1-751-520-21	CORD, POWER (UK)	
* 59	A-4378-836-A	SP BOARD, COMPLETE (E, EA, MY, SP, HK, TH)		\triangle F901	1-532-259-00	FUSE TIME LAG (1.6A, 250V) (AEP, UK, G, IT, E, EA, MY, SP, HK)	
* 59	A-4378-847-A	SP BOARD, COMPLETE (AEP, UK, G, IT)		\triangle F902	1-532-237-00	FUSE TIME LAG (3.15A, 250V) (E, EA, MY, SP, HK)	
60	1-769-848-11	WIRE (FLAT TYPE) (5 CORE)		\triangle F911	1-532-203-00	FUSE TIME LAG (2A, 250V)	
* 61	4-978-973-01	PANEL, BACK (AEP)		\triangle F912	1-532-203-00	FUSE TIME LAG (2A, 250V)	
* 61	4-978-973-11	PANEL, BACK (G)		IC913	8-759-231-57	IC TA7810S	
* 61	4-978-973-21	PANEL, BACK (IT)		M801	1-698-748-11	MOTOR, FAN (DC)	
* 61	4-978-973-31	PANEL, BACK (UK)		\triangle T901	1-429-313-11	TRANSFORMER, POWER (E, EA, MY, SP, HK, TH)	
* 61	4-978-973-41	PANEL, BACK (E, MY, SP)		\triangle T901	1-429-314-11	TRANSFORMER, POWER (AEP, UK, G, IT)	
* 61	4-978-973-51	PANEL, BACK (HK)					
* 61	4-978-973-61	PANEL, BACK (EA)					
* 61	4-978-973-71	PANEL, BACK (TH)					
62	4-956-370-02	BAND, PLUG FIXED (UK, HK)					

SECTION 5 ELECTRICAL PARTS LIST

AC **AMP**

NOTE:

The components identified by mark Δ or dotted line with mark Δ are critical for safety.
Replace only with part number specified.

When indicating parts by reference number, please include the board name.

- Due to standardization, replacements in the parts list may be different from the parts specified in the diagrams or the components used on the set.
- Items marked " * " are not stocked since they are seldom required for routine service. Some delay should be anticipated when ordering these items.
- RESISTORS
All resistors are in ohms
METAL: Metal-film resistor
METAL OXIDE: Metal Oxide-film resistor
F : nonflammable
- CAPACITORS
uF : μF
- SEMICONDUCTORS
In each case, u: μ , for example:
uA...: $\mu A...$, uPA...: $\mu PA...$, uPB...: $\mu PB...$,
uPC...: $\mu PC...$, uPD...: $\mu PD...$
- COILS
uH : μH
- Abbreviation
G : German model
IT : Italian model
EA : Saudi Arabia model
HK : Hong Kong model
SP : Singapore model
MY : Malaysia model
TH : Thailand model

Ref. No.	Part No.	Description	Remark	Ref. No.	Part No.	Description	Remark
*	1-658-314-21	AC BOARD *****		C758	1-164-159-11	CERAMIC 0.1uF	50V
	1-533-223-11	HOLDER, FUSE < CONNECTOR >		C759	1-126-965-11	ELECT 22uF	20% 50V
				C801	1-126-961-11	ELECT 2.2uF	20% 50V
CN901	1-564-321-00	PIN, CONNECTOR 2P		C802	1-164-070-11	CERAMIC 100PF	5% 50V
CN902	1-770-011-41	CONNECTOR, BOARD TO BOARD 4P < FUSE >		C803	1-124-910-11	ELECT 47uF	20% 50V
				C804	1-124-910-11	ELECT 47uF	20% 50V
Δ F901	1-532-259-00	FUSE, TIME LAG (1.6A, 250V)		C805	1-124-122-11	ELECT 100uF	20% 50V
Δ F902	1-532-237-00	FUSE, TIME LAG (3.15A, 250V) (E, EA, MY, SP, HK)		C806	1-126-965-11	ELECT 22uF	20% 50V
		< SWITCH >		C807	1-136-165-00	FILM 0.1uF	5% 50V
Δ S901	1-572-675-11	SWITCH, POWER VOLTAGE CHANGE (VOLTAGE SELECTOR) (E, EA, MY, SP, HK)		C808	1-136-165-00	FILM 0.1uF	5% 50V
		*****		C809	1-126-965-11	ELECT 22uF	20% 50V
				C851	1-126-961-11	ELECT 2.2uF	20% 50V
				C852	1-164-070-11	CERAMIC 100PF	5% 50V
				C853	1-124-910-11	ELECT 47uF	20% 50V
				C854	1-124-910-11	ELECT 47uF	20% 50V
				C855	1-124-122-11	ELECT 100uF	20% 50V
				C857	1-136-165-00	FILM 0.1uF	5% 50V
				C858	1-136-165-00	FILM 0.1uF	5% 50V
				C859	1-126-965-11	ELECT 22uF	20% 50V
*	A-4378-841-A	AMP BOARD, COMPLETE (AEP, G, IT, UK) ***** < CONNECTOR >					
*	A-4378-832-A	AMP BOARD, COMPLETE (E, EA, MY, SP, HK, TH) ***** < CAPACITOR >		* CN801	1-568-830-11	SOCKET, CONNECTOR 11P	
				CN803	1-770-965-11	PIN, CONNECTOR (PCB) (V TYPE) 5P	
				CN805	1-764-329-11	PIN, CONNECTOR (PCB) (V TYPE) 6P < DIODE >	
C601	1-124-443-00	ELECT 100uF 20%	10V	D601	8-719-987-63	DIODE 1N4148M	
C602	1-124-907-11	ELECT 10uF 20%	50V	D602	8-719-987-63	DIODE 1N4148M	
C603	1-162-294-31	CERAMIC 0.001uF 10%	50V	D603	8-719-987-63	DIODE 1N4148M	
C604	1-164-159-11	CERAMIC 0.1uF 50V		D701	8-719-987-63	DIODE 1N4148M	
C701	1-126-961-11	ELECT 2.2uF 20%	50V	D702	8-719-987-63	DIODE 1N4148M	
C702	1-162-282-31	CERAMIC 100PF 10%	50V	D751	8-719-987-63	DIODE 1N4148M	
C703	1-124-910-11	ELECT 47uF 20%	50V	D801	8-719-987-63	DIODE 1N4148M	
C704	1-126-965-11	ELECT 22uF 20%	50V	D802	8-719-987-63	DIODE 1N4148M	
C706	1-126-965-11	ELECT 22uF 20%	50V	D851	8-719-987-63	DIODE 1N4148M	
C707	1-164-159-11	CERAMIC 0.1uF 50V				< IC >	
C708	1-164-159-11	CERAMIC 0.1uF 50V		IC701	8-749-920-13	IC STK-4132MK2	
C709	1-126-965-11	ELECT 22uF 20%	50V	IC801	8-749-900-24	IC STK-4162MK2	
C751	1-126-961-11	ELECT 2.2uF 20%	50V			< TRANSISTOR >	
C752	1-162-282-31	CERAMIC 100PF 10%	50V	Q601	8-729-900-63	TRANSISTOR DTA124ES	
C753	1-124-910-11	ELECT 47uF 20%	50V				
C754	1-126-965-11	ELECT 22uF 20%	50V				
C757	1-164-159-11	CERAMIC 0.1uF 50V					

Ref. No.	Part No.	Description	Remark	Ref. No.	Part No.	Description	Remark
Q602	8-729-119-78	TRANSISTOR	2SC2785-HFE	R801	1-249-417-11	CARBON	1K 5% 1/4W
Q603	8-729-119-78	TRANSISTOR	2SC2785-HFE	R802	1-249-438-11	CARBON	56K 5% 1/4W
Q605	8-729-119-78	TRANSISTOR	2SC2785-HFE	R803	1-249-415-11	CARBON	680 5% 1/4W
Q606	8-729-119-78	TRANSISTOR	2SC2785-HFE				
Q607	8-729-119-78	TRANSISTOR	2SC2785-HFE	R804	1-249-438-11	CARBON	56K 5% 1/4W
Q701	8-729-140-84	TRANSISTOR	2SC1841-PAFAEA	R805	1-260-103-11	CARBON	2.2K 5% 1/2W
Q751	8-729-140-84	TRANSISTOR	2SC1841-PAFAEA	R806	1-260-103-11	CARBON	2.2K 5% 1/2W
Q801	8-729-140-84	TRANSISTOR	2SC1841-PAFAEA	△R807	1-212-881-11	FUSIBLE	100 5% 1/4W F
Q841	8-729-119-78	TRANSISTOR	2SC2785-HFE	△R808	1-217-151-00	RES, METAL PLATE	0.22 F
Q842	8-729-900-36	TRANSISTOR	DTC124ES	R809	1-260-076-11	CARBON	10 5% 1/2W
Q851	8-729-140-84	TRANSISTOR	2SC1841-PAFAEA	△R810	1-212-857-00	FUSIBLE	10 5% 1/4W F
< RESISTOR >				R811	1-249-417-11	CARBON	1K 5% 1/4W
△R600	1-212-857-00	FUSIBLE	10 5% 1/4W F	R812	1-249-431-11	CARBON	15K 5% 1/4W
R602	1-249-441-11	CARBON	100K 5% 1/4W	R813	1-249-441-11	CARBON	100K 5% 1/4W
R603	1-249-441-11	CARBON	100K 5% 1/4W	R814	1-260-103-11	CARBON	2.2K 5% 1/2W
R604	1-249-429-11	CARBON	10K 5% 1/4W	R815	1-260-103-11	CARBON	2.2K 5% 1/2W
R605	1-249-425-11	CARBON	4.7K 5% 1/4W	R816	1-260-103-11	CARBON	2.2K 5% 1/2W
R606	1-249-441-11	CARBON	100K 5% 1/4W	R817	1-260-103-11	CARBON	2.2K 5% 1/2W
R607	1-249-425-11	CARBON	4.7K 5% 1/4W	R818	1-249-437-11	CARBON	47K 5% 1/4W
R608	1-249-441-11	CARBON	100K 5% 1/4W	R821	1-249-441-11	CARBON	100K 5% 1/4W
R701	1-249-417-11	CARBON	1K 5% 1/4W	R841	1-249-434-11	CARBON	27K 5% 1/4W
R702	1-249-438-11	CARBON	56K 5% 1/4W	R842	1-249-441-11	CARBON	100K 5% 1/4W
R703	1-249-411-11	CARBON	330 5% 1/4W	R843	1-249-441-11	CARBON	100K 5% 1/4W
R704	1-249-438-11	CARBON	56K 5% 1/4W	R851	1-249-417-11	CARBON	1K 5% 1/4W
R705	1-260-103-11	CARBON	2.2K 5% 1/2W	R852	1-249-438-11	CARBON	56K 5% 1/4W
R706	1-260-103-11	CARBON	2.2K 5% 1/2W	R853	1-249-415-11	CARBON	680 5% 1/4W
△R708	1-217-151-00	RES, METAL PLATE	0.22 F	R854	1-249-438-11	CARBON	56K 5% 1/4W
R709	1-260-076-11	CARBON	10 5% 1/2W	R855	1-260-103-11	CARBON	2.2K 5% 1/2W
△R710	1-212-857-00	FUSIBLE	10 5% 1/4W F	R856	1-260-103-11	CARBON	2.2K 5% 1/2W
R711	1-249-417-11	CARBON	1K 5% 1/4W	△R857	1-212-881-11	FUSIBLE	100 5% 1/4W F
R712	1-249-431-11	CARBON	15K 5% 1/4W	△R858	1-217-151-00	RES, METAL PLATE	0.22 F
R713	1-249-441-11	CARBON	100K 5% 1/4W	R859	1-260-076-11	CARBON	10 5% 1/2W
R714	1-260-099-11	CARBON	1K 5% 1/2W	R861	1-249-417-11	CARBON	1K 5% 1/4W
R716	1-260-099-11	CARBON	1K 5% 1/2W	R862	1-249-431-11	CARBON	15K 5% 1/4W
R718	1-249-437-11	CARBON	47K 5% 1/4W	R863	1-249-441-11	CARBON	100K 5% 1/4W
R721	1-249-441-11	CARBON	100K 5% 1/4W	R868	1-249-438-11	CARBON	56K 5% 1/4W
R722	1-249-441-11	CARBON	100K 5% 1/4W	< RELAY >			
R751	1-249-417-11	CARBON	1K 5% 1/4W	RY701	1-515-920-11	RELAY (24V)	
R752	1-249-438-11	CARBON	56K 5% 1/4W	RY801	1-515-920-11	RELAY (24V)	
R753	1-249-411-11	CARBON	330 5% 1/4W	< THERMISTOR >			
R754	1-249-438-11	CARBON	56K 5% 1/4W	TH801	1-807-796-11	THERMISTOR	
R755	1-260-103-11	CARBON	2.2K 5% 1/2W	*****			
R756	1-260-103-11	CARBON	2.2K 5% 1/2W				
△R758	1-217-151-00	RES, METAL PLATE	0.22 F				
R759	1-260-076-11	CARBON	10 5% 1/2W				
R761	1-249-417-11	CARBON	1K 5% 1/4W				
R762	1-249-431-11	CARBON	15K 5% 1/4W				
R763	1-249-441-11	CARBON	100K 5% 1/4W				
R768	1-249-438-11	CARBON	56K 5% 1/4W				

The components identified by mark △ or dotted line with mark △ are critical for safety. Replace only with part number specified.

Ref. No.	Part No.	Description	Remark	Ref. No.	Part No.	Description	Remark
*	A-4378-846-A	AUDIO BOARD, COMPLETE (AEP, G, IT, UK) *****		C333	1-124-250-11	ELECT	0.15uF 20% 50V
*	A-4378-835-A	AUDIO BOARD, COMPLETE (E, EA, MY, SP, HK, TH) *****		C334	1-136-157-00	FILM	0.022uF 5% 50V
		< CAPACITOR >		C335	1-136-161-00	FILM	0.047uF 5% 50V
C201	1-164-070-11	CERAMIC	100PF 5% 50V	C336	1-104-666-11	ELECT	220uF 20% 10V
C202	1-124-907-11	ELECT	10uF 20% 50V	C337	1-124-907-11	ELECT	10uF 20% 50V
C212	1-124-907-11	ELECT	10uF 20% 50V	C338	1-124-907-11	ELECT	10uF 20% 50V
C225	1-115-499-91	ELECT	220uF 20% 10V	C339	1-124-907-11	ELECT	10uF 20% 50V
C227	1-164-159-11	CERAMIC	0.1uF 50V	C340	1-124-907-11	ELECT	10uF 20% 50V
C242	1-162-282-31	CERAMIC	100PF 10% 50V (E, EA, MY, SP, HK, TH)	C341	1-104-666-11	ELECT	220uF 20% 10V
C243	1-162-600-11	CERAMIC	0.0047uF 20% 16V (E, EA, MY, SP, HK, TH)	C342	1-124-907-11	ELECT	10uF 20% 50V
C244	1-124-907-11	ELECT	10uF 20% 50V (E, EA, MY, SP, HK, TH)	C343	1-124-907-11	ELECT	10uF 20% 50V
C246	1-162-282-31	CERAMIC	100PF 10% 50V (E, EA, MY, SP, HK, TH)	C344	1-136-165-00	FILM	0.1uF 5% 50V
C251	1-164-070-11	CERAMIC	100PF 5% 50V	C345	1-136-165-00	FILM	0.1uF 5% 50V
C252	1-124-907-11	ELECT	10uF 20% 50V	C346	1-124-465-00	ELECT	0.47uF 20% 50V
C275	1-115-499-91	ELECT	220uF 20% 10V	C347	1-126-963-11	ELECT	4.7uF 20% 50V
C277	1-164-159-11	CERAMIC	0.1uF 50V	C348	1-124-465-00	ELECT	0.47uF 20% 50V
C300	1-162-286-31	CERAMIC	220PF 10% 50V	C349	1-126-963-11	ELECT	4.7uF 20% 50V
C301	1-124-443-00	ELECT	100uF 20% 10V	C350	1-124-250-11	ELECT	0.15uF 20% 50V
C302	1-104-666-11	ELECT	220uF 20% 10V	C351	1-126-962-11	ELECT	3.3uF 20% 50V
C303	1-136-159-00	FILM	0.033uF 5% 50V	C352	1-124-250-11	ELECT	0.15uF 20% 50V
C304	1-130-473-00	MYLAR	0.0015uF 5% 50V	C353	1-124-443-00	ELECT	100uF 20% 10V
C305	1-136-159-00	FILM	0.033uF 5% 50V			< CONNECTOR >	
C306	1-124-903-11	ELECT	1uF 20% 50V	CN201	1-770-728-11	CONNECTOR, BOARD TO BOARD 9P	
C307	1-124-907-11	ELECT	10uF 20% 50V	CN202	1-770-731-11	CONNECTOR, BOARD TO BOARD 12P	
C308	1-124-907-11	ELECT	10uF 20% 50V	* CN203	1-568-834-11	SOCKET, CONNECTOR 15P	
C309	1-124-907-11	ELECT	10uF 20% 50V	CN204	1-568-860-11	SOCKET, CONNECTOR 17P	
C310	1-164-159-11	CERAMIC	0.1uF 50V	* CN205	1-568-854-11	SOCKET, CONNECTOR 11P	
C311	1-126-961-11	ELECT	2.2uF 20% 50V			< DIODE >	
C312	1-164-159-11	CERAMIC	0.1uF 50V	D202	8-719-987-63	DIODE 1N4148M	
C313	1-136-159-00	FILM	0.033uF 5% 50V			< IC >	
C314	1-124-907-11	ELECT	10uF 20% 50V	IC201	8-759-910-83	IC TL072ACP	
C321	1-162-292-31	CERAMIC	680PF 10% 50V	IC211	8-759-000-48	IC MC14052BCP	
C322	1-124-907-11	ELECT	10uF 20% 50V	IC221	8-759-910-83	IC TL072ACP	
C323	1-136-173-00	FILM	0.47uF 5% 50V	IC241	8-759-634-51	IC M5218AP (E, EA, MY, SP, HK, TH)	
C324	1-124-477-11	ELECT	47uF 20% 25V	IC301	8-759-168-98	IC LV1010N	
C325	1-136-165-00	FILM	0.1uF 5% 50V	IC302	8-759-248-74	IC LA2785	
C326	1-136-165-00	FILM	0.1uF 5% 50V			< TRANSISTOR >	
C327	1-124-465-00	ELECT	0.47uF 20% 50V	Q201	8-729-900-63	TRANSISTOR DTA124ES	
C328	1-126-963-11	ELECT	4.7uF 20% 50V	Q212	8-729-900-63	TRANSISTOR DTA124ES	
C329	1-124-465-00	ELECT	0.47uF 20% 50V	Q241	8-729-141-30	TRANSISTOR 2SC3623A-LK (E, EA, MY, SP, HK, T	
C330	1-126-963-11	ELECT	4.7uF 20% 50V	Q242	8-729-900-63	TRANSISTOR DTA124ES (E, EA, MY, SP, HK, TH)	
C331	1-124-250-11	ELECT	0.15uF 20% 50V	Q243	8-729-900-63	TRANSISTOR DTA124ES (E, EA, MY, SP, HK, TH)	
C332	1-126-962-11	ELECT	3.3uF 20% 50V			< RESISTOR >	
				R200	1-249-417-11	CARBON 1K 5% 1/4W	
				R201	1-249-429-11	CARBON 10K 5% 1/4W	

AUDIO **COVER** **FL**

Ref. No.	Part No.	Description	Remark	Ref. No.	Part No.	Description	Remark
R202	1-249-430-11	CARBON	12K 5% 1/4W	R293	1-249-441-11	CARBON	100K 5% 1/4W
R203	1-249-429-11	CARBON	10K 5% 1/4W (E, EA, MY, SP, HK, TH)	R294	1-249-417-11	CARBON	1K 5% 1/4W (E, EA, MY, SP, HK, TH)
R204	1-249-430-11	CARBON	12K 5% 1/4W	R300	1-247-903-00	CARBON	1M 5% 1/4W
R205	1-249-429-11	CARBON	10K 5% 1/4W (AEP, G, IT, UK)	R301	1-249-411-11	CARBON	330 5% 1/4W
R211	1-249-441-11	CARBON	100K 5% 1/4W	R302	1-249-436-11	CARBON	39K 5% 1/4W
R212	1-249-417-11	CARBON	1K 5% 1/4W	R303	1-249-436-11	CARBON	39K 5% 1/4W
R213	1-249-417-11	CARBON	1K 5% 1/4W	R304	1-249-432-11	CARBON	18K 5% 1/4W
R214	1-249-441-11	CARBON	100K 5% 1/4W	R305	1-249-417-11	CARBON	1K 5% 1/4W
R215	1-249-429-11	CARBON	10K 5% 1/4W	R306	1-249-417-11	CARBON	1K 5% 1/4W
R216	1-249-417-11	CARBON	1K 5% 1/4W	R307	1-249-389-11	CARBON	4.7 5% 1/4W
R217	1-249-421-11	CARBON	2.2K 5% 1/4W	R308	1-249-411-11	CARBON	330 5% 1/4W
R218	1-249-429-11	CARBON	10K 5% 1/4W	R309	1-249-411-11	CARBON	330 5% 1/4W
R220	1-249-417-11	CARBON	1K 5% 1/4W	R310	1-249-418-11	CARBON	1.2K 5% 1/4W
R221	1-247-903-00	CARBON	1M 5% 1/4W	R311	1-249-418-11	CARBON	1.2K 5% 1/4W
R222	1-249-419-11	CARBON	1.5K 5% 1/4W	R312	1-249-417-11	CARBON	1K 5% 1/4W
R223	1-249-429-11	CARBON	10K 5% 1/4W	R351	1-249-417-11	CARBON	1K 5% 1/4W
R225	1-249-399-11	CARBON	33 5% 1/4W	R352	1-249-417-11	CARBON	1K 5% 1/4W
R227	1-249-429-11	CARBON	10K 5% 1/4W	R353	1-249-417-11	CARBON	1K 5% 1/4W
R241	1-249-441-11	CARBON	100K 5% 1/4W (E, EA, MY, SP, HK, TH)			< VIBRATOR >	
R242	1-249-441-11	CARBON	100K 5% 1/4W (E, EA, MY, SP, HK, TH)	X301	1-579-125-11	VIBRATOR, CERAMIC (8MHz)	
R243	1-249-441-11	CARBON	100K 5% 1/4W (E, EA, MY, SP, HK, TH)	*****			
R244	1-249-441-11	CARBON	100K 5% 1/4W (E, EA, MY, SP, HK, TH)	*	1-658-316-21	COVER BOARD	
R245	1-249-441-11	CARBON	100K 5% 1/4W (E, EA, MY, SP, HK, TH)			*****	
R246	1-249-441-11	CARBON	100K 5% 1/4W (E, EA, MY, SP, HK, TH)			< CONNECTOR >	
R247	1-249-441-11	CARBON	100K 5% 1/4W (E, EA, MY, SP, HK, TH)	CN903	1-770-010-21	CONNECTOR, BOARD TO BOARD 4P	
R251	1-249-429-11	CARBON	10K 5% 1/4W	CN905	1-770-010-21	CONNECTOR, BOARD TO BOARD 4P	
R252	1-249-430-11	CARBON	12K 5% 1/4W	*****			
R253	1-249-429-11	CARBON	10K 5% 1/4W (E, EA, MY, SP, HK, TH)	*	1-658-310-21	FL BOARD	
R254	1-249-430-11	CARBON	12K 5% 1/4W			*****	
R255	1-249-429-11	CARBON	10K 5% 1/4W (AEP, G, IT, UK)	*	4-979-799-01	HOLDER (FL)	
R270	1-249-417-11	CARBON	1K 5% 1/4W			< CAPACITOR >	
R271	1-247-903-00	CARBON	1M 5% 1/4W	C551	1-162-282-31	CERAMIC	100PF 10% 50V
R272	1-249-419-11	CARBON	1.5K 5% 1/4W	C556	1-164-159-11	CERAMIC	0.1uF 50V
R273	1-249-429-11	CARBON	10K 5% 1/4W	C557	1-164-159-11	CERAMIC	0.1uF 50V
R275	1-249-399-11	CARBON	33 5% 1/4W			< CONNECTOR >	
R277	1-249-429-11	CARBON	10K 5% 1/4W	CN551	1-562-088-00	SOCKET, CONNECTOR 9P	
R291	1-249-429-11	CARBON	10K 5% 1/4W (E, EA, MY, SP, HK, TH)			< FLUORESCENT INDICATOR >	
R292	1-249-441-11	CARBON	100K 5% 1/4W (E, EA, MY, SP, HK, TH)	FL501	1-517-367-11	INDICATOR TUBE, FLUORESCENT	

Ref. No.	Part No.	Description	Remark	Ref. No.	Part No.	Description	Remark
		< IC >					
IC551	8-759-261-63	IC M66004M6FP (R)		C915	1-126-972-11	ELECT 1000uF	20% 35V
		< RESISTOR >		C916	1-126-972-11	ELECT 1000uF	20% 35V
R551	1-249-434-11	CARBON 27K 5% 1/4W		C917	1-164-159-11	CERAMIC 0.1uF	50V
R555	1-249-417-11	CARBON 1K 5% 1/4W		C918	1-164-159-11	CERAMIC 0.1uF	50V
R556	1-249-417-11	CARBON 1K 5% 1/4W		C919	1-124-472-11	ELECT 470uF	20% 10V
R557	1-249-417-11	CARBON 1K 5% 1/4W		C920	1-124-472-11	ELECT 470uF	20% 10V
R558	1-249-417-11	CARBON 1K 5% 1/4W		C921	1-124-122-11	ELECT 100uF	20% 50V
*****				C922	1-164-159-11	CERAMIC 0.1uF	50V
*	1-658-311-21	H. P BOARD		C923	1-124-472-11	ELECT 470uF	20% 10V
		*****		C951	1-136-153-00	FILM 0.01uF	5% 50V
		< CAPACITOR >		C952	1-136-153-00	FILM 0.01uF	5% 50V
C491	1-162-306-11	CERAMIC 0.01uF 30% 16V		C953	1-126-942-61	ELECT 1000uF	20% 16V
C492	1-162-306-11	CERAMIC 0.01uF 30% 16V		C954	1-164-159-11	CERAMIC 0.1uF	50V
C493	1-164-159-11	CERAMIC 0.1uF 50V		C955	1-124-442-00	ELECT 330uF	20% 6.3V
C494	1-164-159-11	CERAMIC 0.1uF 50V		C961	1-124-122-11	ELECT 100uF	20% 50V
		(E, EA, MY, SP, HK, TH)		C962	1-124-122-11	ELECT 100uF	20% 50V
		< CONNECTOR >		C963	1-124-907-11	ELECT 10uF	20% 50V
* CN511	1-568-828-11	SOCKET, CONNECTOR 9P		C964	1-124-907-11	ELECT 10uF	20% 50V
		< JACK >		C971	1-124-122-11	ELECT 100uF	20% 50V
J401	1-770-226-11	JACK (LARGE TYPE) (PHONES)		C972	1-124-122-11	ELECT 100uF	20% 50V
J402	1-770-226-11	JACK (LARGE TYPE) (MIX MIC)				< CONNECTOR >	
		(E, EA, MY, SP, HK, TH)		CN101	1-770-158-21	HOUSING, CONNECTOR 7P (SYSTEM CONTROL)	
*****				CN102	1-770-724-11	CONNECTOR, BOARD TO BOARD 9P	
*	A-4378-845-A	MAIN BOARD, COMPLETE (AEP, G, IT, UK)		* CN103	1-770-747-11	CONNECTOR, BOARD TO BOARD 12P	
		*****		* CN104	1-568-824-11	SOCKET, CONNECTOR 5P	
*	A-4378-834-A	MAIN BOARD, COMPLETE (E, EA, MY, SP, HK, TH)		* CN105	1-568-839-11	SOCKET, CONNECTOR 23P	
		*****		CN106	1-764-327-11	PIN, CONNECTOR (PCB) (V TYPE) 4P	
	1-533-223-11	HOLDER, FUSE		CN107	1-764-328-61	PIN, CONNECTOR (PCB) (V TYPE) 5P	
*	3-309-144-21	HEAT SINK		CN108	1-770-965-21	PIN, CONNECTOR (PCB) (V TYPE) 5P	
	7-685-646-79	SCREW +BVTP 3X8 TYPE2 N-S		CN109	1-770-966-11	PIN, CONNECTOR (PCB) (V TYPE) 6P	
		< CAPACITOR >				< DIODE >	
C191	1-124-442-00	ELECT 330uF 20% 6.3V		D191	8-719-024-99	DIODE 11ES2-NTA2B	
C621	1-126-963-11	ELECT 4.7uF 20% 50V		D611	8-719-987-63	DIODE 1N4148M	
C901	1-126-138-11	ELECT 4700uF 20% 50V		D621	8-719-987-63	DIODE 1N4148M	
C902	1-126-138-11	ELECT 4700uF 20% 50V		D622	8-719-987-63	DIODE 1N4148M	
C903	1-136-165-00	FILM 0.1uF 5% 50V		D623	8-719-987-63	DIODE 1N4148M	
C904	1-136-165-00	FILM 0.1uF 5% 50V		D624	8-719-987-63	DIODE 1N4148M	
C911	1-124-618-11	ELECT 2200uF 20% 35V		D901	8-719-510-68	DIODE D5SBA20F01	
C912	1-124-618-11	ELECT 2200uF 20% 35V		D911	8-719-025-03	DIODE RBA-402-SL	
C913	1-136-165-00	FILM 0.1uF 5% 50V		D951	8-719-024-99	DIODE 11ES2-NTA2B	
C914	1-136-165-00	FILM 0.1uF 5% 50V		D952	8-719-024-99	DIODE 11ES2-NTA2B	
		< FUSE >		D961	8-719-024-99	DIODE 11ES2-NTA2B	
				D962	8-719-024-99	DIODE 11ES2-NTA2B	
				D963	8-719-934-23	DIODE HZS30-3L	
						< FUSE >	
				△F911	1-532-203-00	FUSE, TIME LAG (2A, 250V)	
				△F912	1-532-203-00	FUSE, TIME LAG (2A, 250V)	

The components identified by mark △ or dotted line with mark △ are critical for safety. Replace only with part number specified.

MAIN PANEL

Ref. No.	Part No.	Description	Remark	Ref. No.	Part No.	Description	Remark
< IC >							
IC101	8-759-000-47	IC MC14051BCP		R153	1-249-417-11	CARBON 1K 5% 1/4W	
IC102	8-759-000-47	IC MC14051BCP		R154	1-249-425-11	CARBON 4.7K 5% 1/4W	
IC103	8-759-000-48	IC MC14052BCP		R155	1-249-417-11	CARBON 1K 5% 1/4W	
IC191	8-759-962-08	IC BA6208		R156	1-249-417-11	CARBON 1K 5% 1/4W	
IC911	8-759-231-55	IC TA7808S		R157	1-249-417-11	CARBON 1K 5% 1/4W	
				R158	1-249-417-11	CARBON 1K 5% 1/4W	
IC912	8-759-245-81	IC TA79008S		R159	1-249-417-11	CARBON 1K 5% 1/4W	
IC913	8-759-231-57	IC TA7810S		R162	1-249-429-11	CARBON 10K 5% 1/4W	
IC951	8-759-158-62	IC TA78057S		R163	1-249-429-11	CARBON 10K 5% 1/4W	
< IC LINK >							
△ICP911	1-532-986-31	LINK, IC (10A)		R167	1-249-417-11	CARBON 1K 5% 1/4W	
△ICP912	1-532-986-31	LINK, IC (10A)		R168	1-249-417-11	CARBON 1K 5% 1/4W	
< JACK >							
J101	1-770-015-11	JACK, PIN 6P(TUNER IN, CD IN, MD/DAT OUT)		R169	1-249-417-11	CARBON 1K 5% 1/4W	
J102	1-770-015-11	JACK, PIN6P(MD/DAT IN, TAPE OUT, TAPE IN)		R611	1-249-417-11	CARBON 1K 5% 1/4W	
J103	1-770-015-11	JACK, PIN 6P (VIDEO2 IN, VIDEO1 OUT, VIDEO1 IN)		R621	1-249-429-11	CARBON 10K 5% 1/4W	
< TRANSISTOR >							
Q611	8-729-119-78	TRANSISTOR 2SC2785-HFE		R622	1-249-429-11	CARBON 10K 5% 1/4W	
Q621	8-729-119-78	TRANSISTOR 2SC2785-HFE		R623	1-249-429-11	CARBON 10K 5% 1/4W	
Q622	8-729-900-36	TRANSISTOR DTC124ES		R624	1-249-429-11	CARBON 10K 5% 1/4W	
Q926	8-729-119-76	TRANSISTOR 2SA1175-HFE		R625	1-249-441-11	CARBON 100K 5% 1/4W	
Q961	8-729-118-00	TRANSISTOR 2SB1116-L		△R911	1-212-881-11	FUSIBLE 100 5% 1/4W F	
< RESISTOR >							
R101	1-249-417-11	CARBON 1K 5% 1/4W		△R913	1-212-881-11	FUSIBLE 100 5% 1/4W F	
R102	1-249-425-11	CARBON 4.7K 5% 1/4W		△R915	1-212-881-11	FUSIBLE 100 5% 1/4W F	
R103	1-249-417-11	CARBON 1K 5% 1/4W		△R916	1-212-881-11	FUSIBLE 100 5% 1/4W F	
R104	1-249-425-11	CARBON 4.7K 5% 1/4W		△R951	1-212-857-00	FUSIBLE 10 5% 1/4W F	
R105	1-249-417-11	CARBON 1K 5% 1/4W		R961	1-249-429-11	CARBON 10K 5% 1/4W	
R106	1-249-417-11	CARBON 1K 5% 1/4W		R962	1-249-397-11	CARBON 22 5% 1/4W	
R107	1-249-417-11	CARBON 1K 5% 1/4W		R971	1-249-413-11	CARBON 470 5% 1/4W	
R108	1-249-417-11	CARBON 1K 5% 1/4W		R972	1-249-413-11	CARBON 470 5% 1/4W	
R109	1-249-417-11	CARBON 1K 5% 1/4W		R973	1-249-413-11	CARBON 470 5% 1/4W	
R112	1-249-429-11	CARBON 10K 5% 1/4W		R974	1-249-413-11	CARBON 470 5% 1/4W	
R113	1-249-429-11	CARBON 10K 5% 1/4W		R975	1-249-413-11	CARBON 470 5% 1/4W	
R117	1-249-417-11	CARBON 1K 5% 1/4W		R976	1-249-413-11	CARBON 470 5% 1/4W	
R118	1-249-417-11	CARBON 1K 5% 1/4W		R977	1-249-413-11	CARBON 470 5% 1/4W	
R119	1-249-417-11	CARBON 1K 5% 1/4W		R978	1-249-413-11	CARBON 470 5% 1/4W	
R121	1-249-441-11	CARBON 100K 5% 1/4W		R1191	1-249-417-11	CARBON 1K 5% 1/4W	
R122	1-249-441-11	CARBON 100K 5% 1/4W		R1193	1-249-417-11	CARBON 1K 5% 1/4W	
R123	1-249-441-11	CARBON 100K 5% 1/4W		*****			
R124	1-249-417-11	CARBON 1K 5% 1/4W		*	A-4378-837-A PANEL BOARD, COMPLETE (AEP, G, IT, UK)		
R125	1-249-417-11	CARBON 1K 5% 1/4W		*****			
R126	1-249-417-11	CARBON 1K 5% 1/4W		*	A-4378-829-A PANEL BOARD, COMPLETE (E, EA, MY, SP, HK, TH)		
R151	1-249-417-11	CARBON 1K 5% 1/4W		*****			
R152	1-249-425-11	CARBON 4.7K 5% 1/4W		< CAPACITOR >			
				C400	1-162-306-11	CERAMIC 0.01uF 30% 16V	
				C401	1-136-157-00	FILM 0.022uF 5% 50V	
				C402	1-136-163-00	FILM 0.068uF 5% 50V	
				C403	1-136-167-00	FILM 0.15uF 5% 50V	
				C404	1-136-173-00	FILM 0.47uF 5% 50V	
				C411	1-124-907-11	ELECT 10uF 20% 50V	

The components identified by mark △ or dotted line with mark △ are critical for safety. Replace only with part number specified.

Ref. No.	Part No.	Description	Remark	Ref. No.	Part No.	Description	Remark
C414	1-124-907-11	ELECT	10uF 20% 50V			< CONNECTOR >	
C431	1-162-294-31	CERAMIC	0.001uF 10% 50V (E, EA, MY, SP, HK, TH)	* CN501	1-568-839-11	SOCKET, CONNECTOR 23P	
C432	1-126-301-11	ELECT	1uF 20% 50V (E, EA, MY, SP, HK, TH)	* CN502	1-568-834-11	SOCKET, CONNECTOR 15P	
C433	1-162-282-31	CERAMIC	100PF 10% 50V (E, EA, MY, SP, HK, TH)	CN503	1-573-379-11	PIN, CONNECTOR 9P	
				* CN504	1-568-828-11	SOCKET, CONNECTOR 9P	
						< DIODE >	
C434	1-162-282-31	CERAMIC	100PF 10% 50V (E, EA, MY, SP, HK, TH)	D501	8-719-987-63	DIODE 1N4148M	
C435	1-126-301-11	ELECT	1uF 20% 50V (E, EA, MY, SP, HK, TH)	D502	8-719-024-99	DIODE 11ES2-NTA2B	
C436	1-162-282-31	CERAMIC	100PF 10% 50V (E, EA, MY, SP, HK, TH)	D504	8-719-987-63	DIODE 1N4148M	
C437	1-164-159-11	CERAMIC	0.1uF 50V (E, EA, MY, SP, HK, TH)	D505	8-719-987-63	DIODE 1N4148M	
C438	1-164-159-11	CERAMIC	0.1uF 50V (E, EA, MY, SP, HK, TH)	D506	8-719-987-63	DIODE 1N4148M	
C439	1-162-282-31	CERAMIC	100PF 10% 50V (E, EA, MY, SP, HK, TH)	D507	8-719-987-63	DIODE 1N4148M (E, EA, MY, SP, HK, TH)	
C440	1-162-282-31	CERAMIC	100PF 10% 50V (E, EA, MY, SP, HK, TH)	D531	8-719-046-44	DIODE SEL5221S (ON/STANDBY)	
C441	1-126-301-11	ELECT	1uF 20% 50V (E, EA, MY, SP, HK, TH)	D532	8-719-046-70	DIODE SEL5620C (STADIUM)	
C442	1-124-443-00	ELECT	100uF 20% 10V (E, EA, MY, SP, HK, TH)	D533	8-719-046-70	DIODE SEL5620C (LIVE)	
C443	1-124-443-00	ELECT	100uF 20% 10V (E, EA, MY, SP, HK, TH)	D534	8-719-046-70	DIODE SEL5620C (DANCE)	
C450	1-162-306-11	CERAMIC	0.01uF 30% 16V	D535	8-719-046-70	DIODE SEL5620C (HALL)	
C451	1-136-157-00	FILM	0.022uF 5% 50V	D536	8-719-046-70	DIODE SEL5620C (PHANTOM)	
C452	1-136-163-00	FILM	0.068uF 5% 50V	D537	8-719-046-70	DIODE SEL5620C (NORMAL)	
C453	1-136-167-00	FILM	0.15uF 5% 50V	D538	8-719-046-70	DIODE SEL5620C (WIDE)	
C454	1-136-173-00	FILM	0.47uF 5% 50V	D539	8-719-046-70	DIODE SEL5620C (3CH LOGIC)	
C461	1-124-907-11	ELECT	10uF 20% 50V	D540	8-719-301-49	DIODE SEL2810A (DSP MODE)	
C464	1-124-907-11	ELECT	10uF 20% 50V	D541	8-719-301-49	DIODE SEL2810A (DOLBY SURROUND)	
C501	1-164-159-11	CERAMIC	0.1uF 50V	D542	8-719-046-44	DIODE SEL5221S (SOURCE DIRECT)	
C502	1-124-442-00	ELECT	330uF 20% 6.3V	D543	8-719-046-44	DIODE SEL5221S (-20dB MUTING)	
C503	1-164-159-11	CERAMIC	0.1uF 50V	D544	8-719-046-44	DIODE SEL5221S (KARAOKE PON) (E, EA, MY, SP, HK, TH)	
C504	1-162-306-11	CERAMIC	0.01uF 30% 16V	D551	8-719-010-33	DIODE UZ-4.7BSB	
C505	1-162-306-11	CERAMIC	0.01uF 30% 16V			< IC >	
C506	1-124-443-00	ELECT	100uF 20% 10V	IC401	8-759-634-50	IC M5218AL	
C507	1-162-306-11	CERAMIC	0.01uF 30% 16V	IC431	8-759-634-50	IC M5218AL (E, EA, MY, SP, HK, TH)	
C508	1-162-306-11	CERAMIC	0.01uF 30% 16V	IC501	8-759-386-86	IC M37471M4-S3	
C509	1-162-306-11	CERAMIC	0.01uF 30% 16V (E, EA, MY, SP, HK, TH)	IC502	8-759-165-80	IC PST600C-T	
C510	1-162-286-31	CERAMIC	220PF 10% 50V	IC503	8-759-917-43	IC SN74HC138AN	
C511	1-162-306-11	CERAMIC	0.01uF 30% 16V (E, EA, MY, SP, HK, TH)	IC504	8-749-920-83	IC GP1U52XB (R)	
C552	1-164-159-11	CERAMIC	0.1uF 50V			< TRANSISTOR >	
C553	1-164-159-11	CERAMIC	0.1uF 50V	Q501	8-729-119-78	TRANSISTOR 2SC2785-HFE	
C554	1-164-159-11	CERAMIC	0.1uF 50V	Q531	8-729-900-63	TRANSISTOR DTA124ES	
C555	1-164-159-11	CERAMIC	0.1uF 50V	Q532	8-729-900-36	TRANSISTOR DTC124ES	
				Q533	8-729-900-36	TRANSISTOR DTC124ES	
				Q534	8-729-900-36	TRANSISTOR DTC124ES	
				Q535	8-729-900-36	TRANSISTOR DTC124ES	
				Q536	8-729-900-36	TRANSISTOR DTC124ES (E, EA, MY, SP, HK, TH)	
				Q537	8-729-900-36	TRANSISTOR DTC124ES	
				Q538	8-729-900-36	TRANSISTOR DTC124ES	
				Q539	8-729-900-36	TRANSISTOR DTC124ES	

PANEL

Ref. No.	Part No.	Description	Remark	Ref. No.	Part No.	Description	Remark
< RESISTOR >							
R402	1-249-409-11	CARBON	220 5% 1/4W	R513	1-249-417-11	CARBON	1K 5% 1/4W
R403	1-249-423-11	CARBON	3. 3K 5% 1/4W	R514	1-249-418-11	CARBON	1. 2K 5% 1/4W
R404	1-249-417-11	CARBON	1K 5% 1/4W	R515	1-249-418-11	CARBON	1. 2K 5% 1/4W
R405	1-247-903-00	CARBON	1M 5% 1/4W	R516	1-249-419-11	CARBON	1. 5K 5% 1/4W
R406	1-247-903-00	CARBON	1M 5% 1/4W	R517	1-249-427-11	CARBON	6. 8K 5% 1/4W
				R518	1-249-423-11	CARBON	3. 3K 5% 1/4W (E, EA, MY, SP, HK, TH)
R411	1-249-441-11	CARBON	100K 5% 1/4W	R522	1-249-417-11	CARBON	1K 5% 1/4W
R412	1-249-429-11	CARBON	10K 5% 1/4W	R523	1-249-417-11	CARBON	1K 5% 1/4W
R413	1-249-422-11	CARBON	2. 7K 5% 1/4W	R531	1-249-411-11	CARBON	330 5% 1/4W
R431	1-249-441-11	CARBON	100K 5% 1/4W (E, EA, MY, SP, HK, TH)	R532	1-249-403-11	CARBON	68 5% 1/4W
R432	1-249-417-11	CARBON	1K 5% 1/4W (E, EA, MY, SP, HK, TH)	R534	1-249-411-11	CARBON	330 5% 1/4W
R433	1-249-431-11	CARBON	15K 5% 1/4W (E, EA, MY, SP, HK, TH)	R535	1-249-411-11	CARBON	330 5% 1/4W
R434	1-249-441-11	CARBON	100K 5% 1/4W (E, EA, MY, SP, HK, TH)	R536	1-249-411-11	CARBON	330 5% 1/4W (E, EA, MY, SP, HK, TH)
R435	1-249-417-11	CARBON	1K 5% 1/4W (E, EA, MY, SP, HK, TH)	R537	1-249-417-11	CARBON	1K 5% 1/4W
R436	1-249-435-11	CARBON	33K 5% 1/4W (E, EA, MY, SP, HK, TH)	R538	1-249-417-11	CARBON	1K 5% 1/4W
R437	1-249-441-11	CARBON	100K 5% 1/4W (E, EA, MY, SP, HK, TH)	R539	1-249-417-11	CARBON	1K 5% 1/4W
R438	1-249-441-11	CARBON	100K 5% 1/4W (E, EA, MY, SP, HK, TH)	R540	1-249-417-11	CARBON	1K 5% 1/4W
R439	1-249-421-11	CARBON	2. 2K 5% 1/4W (E, EA, MY, SP, HK, TH)	R541	1-249-425-11	CARBON	4. 7K 5% 1/4W
R440	1-247-807-31	CARBON	100 5% 1/4W (E, EA, MY, SP, HK, TH)	R542	1-249-417-11	CARBON	1K 5% 1/4W
R441	1-247-807-31	CARBON	100 5% 1/4W (E, EA, MY, SP, HK, TH)	R543	1-249-417-11	CARBON	1K 5% 1/4W
R452	1-249-409-11	CARBON	220 5% 1/4W	R544	1-249-417-11	CARBON	1K 5% 1/4W
R453	1-249-423-11	CARBON	3. 3K 5% 1/4W	R545	1-249-425-11	CARBON	4. 7K 5% 1/4W
R454	1-249-417-11	CARBON	1K 5% 1/4W	R546	1-249-417-11	CARBON	1K 5% 1/4W
R455	1-247-903-00	CARBON	1M 5% 1/4W	R547	1-249-417-11	CARBON	1K 5% 1/4W
R456	1-247-903-00	CARBON	1M 5% 1/4W	R548	1-249-417-11	CARBON	1K 5% 1/4W
R461	1-249-441-11	CARBON	100K 5% 1/4W	R552	1-249-409-11	CARBON	220 5% 1/4W
R462	1-249-429-11	CARBON	10K 5% 1/4W	R553	1-249-409-11	CARBON	220 5% 1/4W
R463	1-249-422-11	CARBON	2. 7K 5% 1/4W	R554	1-249-429-11	CARBON	10K 5% 1/4W
R501	1-249-429-11	CARBON	10K 5% 1/4W	< VARIABLE RESISTOR >			
R502	1-249-429-11	CARBON	10K 5% 1/4W	RV401	1-223-810-11	RES, VAR, CARBON 10K/10K (TREBLE)	
R503	1-249-429-11	CARBON	10K 5% 1/4W	RV402	1-223-810-11	RES, VAR, CARBON 10K/10K (BASS)	
R504	1-249-417-11	CARBON	1K 5% 1/4W	RV431	1-223-974-11	RES, VAR, CARBON 50K (MIC LEVEL)	
R505	1-249-441-11	CARBON	100K 5% 1/4W				(E, EA, MY, SP, HK, TH)
R506	1-249-417-11	CARBON	1K 5% 1/4W (E, EA, MY, SP, HK, TH)	< SWITCH >			
R507	1-249-429-11	CARBON	10K 5% 1/4W	S501	1-554-303-21	SWITCH, TACTILE (SYSTEM POWER)	
R508	1-249-417-11	CARBON	1K 5% 1/4W	S502	1-554-303-21	SWITCH, TACTILE (AUDIO)	
R509	1-249-417-11	CARBON	1K 5% 1/4W	S503	1-554-303-21	SWITCH, TACTILE (VIDEO)	
R510	1-249-411-11	CARBON	330 5% 1/4W	S504	1-554-303-21	SWITCH, TACTILE (DSP MODE)	
R511	1-249-429-11	CARBON	10K 5% 1/4W	S505	1-554-303-21	SWITCH, TACTILE (DOLBY SURROUND)	
R512	1-249-431-11	CARBON	15K 5% 1/4W	S506	1-554-303-21	SWITCH, TACTILE (SOURCE DIRECT)	
				S507	1-554-303-21	SWITCH, TACTILE (-20dB MUTING)	
				S508	1-554-303-21	SWITCH, TACTILE (KARAOKE PON)	
							(E, EA, MY, SP, HK, TH)
				< VIBRATOR >			
				X501	1-579-125-11	VIBRATOR, CERAMIC (8MHz)	

Ref. No.	Part No.	Description	Remark	Ref. No.	Part No.	Description	Remark
*****				L751	1-420-872-00	COIL, AIR-CORE	
*	A-4378-847-A	SP BOARD, COMPLETE (AEP, G, IT, UK)		L801	1-420-872-00	COIL, AIR-CORE	
		*****		L851	1-420-872-00	COIL, AIR-CORE	
						< TRANSISTOR >	
*	A-4378-836-A	SP BOARD, COMPLETE (E, EA, MY, SP, HK, TH)		Q181	8-729-119-78	TRANSISTOR 2SC2785-HFE	
		*****		Q182	8-729-119-78	TRANSISTOR 2SC2785-HFE	
				Q183	8-729-119-78	TRANSISTOR 2SC2785-HFE	
		< CAPACITOR >		Q184	8-729-119-78	TRANSISTOR 2SC2785-HFE	
				Q185	8-729-119-78	TRANSISTOR 2SC2785-HFE	
C180	1-124-443-00	ELECT	100uF 20% 10V	Q186	8-729-119-78	TRANSISTOR 2SC2785-HFE	
C181	1-124-907-11	ELECT	10uF 20% 50V	Q631	8-729-900-63	TRANSISTOR DTA124ES	
C182	1-124-907-11	ELECT	10uF 20% 50V	Q632	8-729-119-78	TRANSISTOR 2SC2785-HFE	
C183	1-124-907-11	ELECT	10uF 20% 50V	Q633	8-729-118-00	TRANSISTOR 2SB1116-L	
C184	1-126-941-11	ELECT	470uF 20% 16V	Q634	8-729-118-00	TRANSISTOR 2SB1116-L	
						< RESISTOR >	
C185	1-126-941-11	ELECT	470uF 20% 16V	R181	1-247-804-11	CARBON 75 5% 1/4W	
C631	1-124-907-11	ELECT	10uF 20% 50V	R182	1-247-804-11	CARBON 75 5% 1/4W	
C891	1-136-153-00	FILM	0.01uF 5% 50V	R183	1-249-409-11	CARBON 220 5% 1/4W	
			(AEP, G, IT, UK)	R184	1-249-433-11	CARBON 22K 5% 1/4W	
C892	1-136-153-00	FILM	0.01uF 5% 50V	R185	1-249-429-11	CARBON 10K 5% 1/4W	
			(AEP, G, IT, UK)	R186	1-249-411-11	CARBON 330 5% 1/4W	
C893	1-136-153-00	FILM	0.01uF 5% 50V	R187	1-249-421-11	CARBON 2.2K 5% 1/4W	
			(AEP, G, IT, UK)	R188	1-249-418-11	CARBON 1.2K 5% 1/4W	
C894	1-136-153-00	FILM	0.01uF 5% 50V	R189	1-249-417-11	CARBON 1K 5% 1/4W	
			(AEP, G, IT, UK)	R190	1-249-409-11	CARBON 220 5% 1/4W	
C895	1-162-306-11	CERAMIC	0.01uF 30% 16V	R191	1-247-804-11	CARBON 75 5% 1/4W	
C896	1-162-306-11	CERAMIC	0.01uF 30% 16V	R192	1-247-804-11	CARBON 75 5% 1/4W	
C897	1-162-306-11	CERAMIC	0.01uF 30% 16V	R193	1-249-413-11	CARBON 470 5% 1/4W	
C898	1-162-306-11	CERAMIC	0.01uF 30% 16V	R194	1-249-413-11	CARBON 470 5% 1/4W	
				R195	1-249-441-11	CARBON 100K 5% 1/4W	
		< CONNECTOR >		R196	1-249-441-11	CARBON 100K 5% 1/4W	
* CN891	1-564-521-11	PLUG, CONNECTOR 6P		R197	1-249-417-11	CARBON 1K 5% 1/4W	
* CN892	1-564-521-11	PLUG, CONNECTOR 6P		R198	1-249-417-11	CARBON 1K 5% 1/4W	
* CN893	1-564-518-11	PLUG, CONNECTOR 3P		R631	1-249-433-11	CARBON 22K 5% 1/4W	
* CN894	1-568-848-11	SOCKET, CONNECTOR 5P		R632	1-249-433-11	CARBON 22K 5% 1/4W	
		< DIODE >		R633	1-249-441-11	CARBON 100K 5% 1/4W	
D631	8-719-987-63	DIODE 1N4148M		R634	1-249-441-11	CARBON 100K 5% 1/4W	
D632	8-719-987-63	DIODE 1N4148M		R635	1-249-441-11	CARBON 100K 5% 1/4W	
D633	8-719-987-63	DIODE 1N4148M		R636	1-249-429-11	CARBON 10K 5% 1/4W	
D634	8-719-987-63	DIODE 1N4148M		R637	1-249-429-11	CARBON 10K 5% 1/4W	
		< IC >		R638	1-260-096-11	CARBON 560 5% 1/2W	
IC181	8-759-140-53	IC uPD4053BC		R639	1-260-096-11	CARBON 560 5% 1/2W	
		< JACK >		R640	1-260-096-11	CARBON 560 5% 1/2W	
J801	1-569-662-11	JACK, PIN 1P (SUPER WOOFER)		R641	1-260-096-11	CARBON 560 5% 1/2W	
J802	1-565-934-11	JACK, PIN 2P (VIDEO2 IN, VIDEO1 OUT)		R720	1-260-076-11	CARBON 10 5% 1/2W	
J803	1-565-934-11	JACK, PIN 2P (VIDEO1 IN, MONITOR OUT)		R770	1-260-076-11	CARBON 10 5% 1/2W	
		< COIL >		R820	1-260-076-11	CARBON 10 5% 1/2W	
L181	1-408-405-00	INDUCTOR 4.7uH		R821	1-249-437-11	CARBON 47K 5% 1/4W	
L701	1-420-872-00	COIL, AIR-CORE		R841	1-249-421-11	CARBON 2.2K 5% 1/4W	

SP TRANS VOL

Ref.No.	Part No.	Description	Remark	Ref.No.	Part No.	Description	Remark
R870	1-260-076-11	CARBON	10 5% 1/2W	R429	1-249-411-11	CARBON	330 5% 1/4W
R871	1-249-437-11	CARBON	47K 5% 1/4W	R471	1-249-427-11	CARBON	6.8K 5% 1/4W
R891	1-260-076-11	CARBON	10 5% 1/2W (AEP, G, IT, UK)	R472	1-249-415-11	CARBON	680 5% 1/4W
R892	1-260-076-11	CARBON	10 5% 1/2W (AEP, G, IT, UK)	R473	1-249-417-11	CARBON	1K 5% 1/4W
R893	1-260-076-11	CARBON	10 5% 1/2W (AEP, G, IT, UK)	R475	1-249-426-11	CARBON	5.6K 5% 1/4W
R894	1-260-076-11	CARBON	10 5% 1/2W (AEP, G, IT, UK)	R476	1-249-415-11	CARBON	680 5% 1/4W
R895	1-249-437-11	CARBON	47K 5% 1/4W	R477	1-249-417-11	CARBON	1K 5% 1/4W
		< TERMINAL >		R479	1-249-441-11	CARBON	100K 5% 1/4W
TM801	1-537-822-21	TERMINAL BOARD (SP) (FRONT SPEAKER)				< VARIABLE RESISTOR >	
TM802	1-537-336-41	TERMINAL BOARD (SP) (REAR SPEAKER, CENTER SPEAKER)		RV403	1-223-809-11	RES, VAR, CARBON 100KX4 (VOLUME)	
		< TRANSFORMER >					
				△T901	1-429-313-11	TRANSFORMER, POWER (E, EA, MY, SP, HK, TH)	
				△T901	1-429-314-11	TRANSFORMER, POWER (AEP, G, IT, UK)	

						MISCELLANEOUS	

*	1-658-315-21	TRANS BOARD		15	1-773-038-11	WIRE (FLAT TYPE)(17 CORE)	
		*****		24	1-769-910-11	WIRE (FLAT TYPE)(9 CORE)	
		< CONNECTOR >		25	1-765-332-11	WIRE (FLAT TYPE)(15 CORE)	
CN904	1-770-011-41	CONNECTOR, BOARD TO BOARD 4P		26	1-776-933-11	WIRE (FLAT TYPE)(23 CORE)	
CN911	1-764-327-11	PIN, CONNECTOR (PCB)(V TYPE)4P		57	1-769-940-11	WIRE (FLAT TYPE)(11 CORE)	
CN912	1-764-328-61	PIN, CONNECTOR (PCB)(V TYPE)5P					

*	1-658-312-21	VOL BOARD		60	1-769-848-11	WIRE (FLAT TYPE)(5 CORE)	
		*****		△64	1-569-007-11	ADAPTER, CONVERSION 2P (E)	
		< CAPACITOR >		△64	1-569-008-11	ADAPTER, CONVERSION 2P (EA, MY, SP)	
C421	1-164-159-11	CERAMIC	0.1uF 50V	△64	1-770-019-11	ADAPTOR, CONVERSION PLUG 3P (HK)	
		< CONNECTOR >		△CNP901	1-575-651-11	CORD, POWER (AEP, G, IT, EA, MY, SP, HK)	
* CN401	1-568-836-11	SOCKET, CONNECTOR 17P		△CNP901	1-575-653-11	CORD, POWER (E)	
		< TRANSISTOR >		△CNP901	1-751-326-31	CORD, POWER (TH)	
Q221	8-729-141-30	TRANSISTOR	2SC3623A-LK	△CNP901	1-751-520-21	CORD, POWER (UK)	
Q222	8-729-141-30	TRANSISTOR	2SC3623A-LK	△F901	1-532-259-00	FUSE TIME LAG (1.6A, 250V) (AEP, UK, G, IT, E, EA, MY, SP, HK)	
Q223	8-729-141-30	TRANSISTOR	2SC3623A-LK	△F902	1-532-237-00	FUSE TIME LAG (3.15A, 250V) (E, EA, MY, SP, HK)	
Q224	8-729-141-30	TRANSISTOR	2SC3623A-LK	△F911	1-532-203-00	FUSE TIME LAG (2A, 250V)	
		< RESISTOR >		△F912	1-532-203-00	FUSE TIME LAG (2A, 250V)	
R421	1-249-427-11	CARBON	6.8K 5% 1/4W	FL501	1-517-367-11	INDICATOR TUBE, FLUORESCENT	
R422	1-249-415-11	CARBON	680 5% 1/4W	IC913	8-759-231-57	IC TA7810S	
R423	1-249-417-11	CARBON	1K 5% 1/4W	M801	1-698-748-11	MOTOR, FAN (DC)	
R425	1-249-426-11	CARBON	5.6K 5% 1/4W	△T901	1-429-313-11	TRANSFORMER, POWER (E, EA, MY, SP, HK, TH)	
R426	1-249-415-11	CARBON	680 5% 1/4W	△T901	1-429-314-11	TRANSFORMER, POWER (AEP, UK, G, IT)	
R427	1-249-417-11	CARBON	1K 5% 1/4W	*****			
						ACCESSORIES & PACKING MATERIALS	

				*	4-980-537-01	CUSHION (UPPER)	
				*	4-980-538-01	CUSHION (LOWER)	

The components identified by mark △ or dotted line with mark △ are critical for safety. Replace only with part number specified.

<u>Ref.No.</u>	<u>Part No.</u>	<u>Description</u>	<u>Remark</u>
----------------	-----------------	--------------------	---------------

HARDWARE LIST

#1	7-685-647-79	SCREW +BVTP 3X10 TYPE2 N-S	
#2	7-682-548-04	SCREW +BVTI 3X8 (S)	
#3	7-685-646-79	SCREW +BVTP 3X8 TYPE2 N-S	
#4	7-685-650-79	SCREW +BVTP 3X16 TYPE2 IT-3	

